

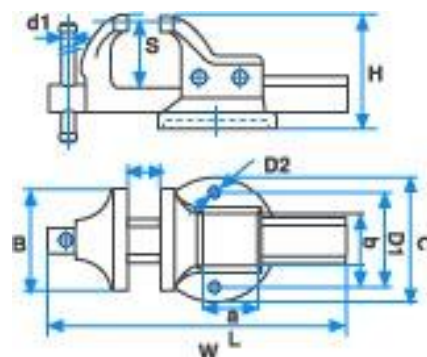


2856GA – 2856GL / 2859GA – 2859GL

Orig. KANCA

MORSE DA BANCO UNIVERSALI E PER INSTALLATORI – Tabella dimensioni

Fortissimo Vice



Plumber's Vice

Code No.			02.10.01	02.10.02	02.10.03	02.10.04	02.10.05	02.10.06
Size			100	115	125	135	150	175
Jaw width	B	mm	100	115	125	135	150	175
Jaw opening	W	mm	115	145	160	160	180	205
Total Length	L	mm	295	335	360	400	455	515
Anvil Size	AxB	mm	37x50	45x63	50x70	57x75	65x80	75x93
Base Diameter	C	mm	120	135	150	160	180	210
Hole Diameter	D 1	mm	92	102	113	120	137	164
Hole Distance	d2	mm	11.5	13.5	13.5	16	16	17.5
Screw Handle	d1 (min)	mm	13	13	14	15	16	.
Jaw Depth	S (min)	mm	60	66	66	76	80	95
Vice Height	H	mm	117	140	144	170	188	208
Weight	-	kg	5.2	7.8	9.3	14	18.5	25
Clamp Diameter min/max	-	inch	-	1/4-3	1/4-3	1/4-4	1/4-5	1/4-6

Plumber's Vice

Code No.			02.05.01	02.05.02	02.05.03	02.05.04	02.05.05	02.05.06
Clamping Range (min.) 2	-	inch	-	3/8	3/8	3/8	3/8	3/8
Clamping Range (max.) 2	-	inch	-	1 1/2	1 1/2	1 1/2	2 1/2	3