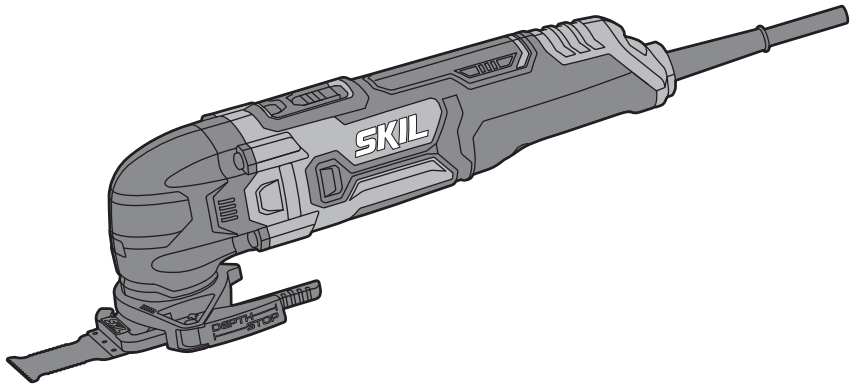


# SKIL®

## MULTI-FUNCTION TOOL 1491 (MF1\*1491\*\*)



<b>GB</b>	ORIGINAL INSTRUCTIONS	10	<b>UA</b>	ОРИГІНАЛЬНА ІНСТРУКЦІЯ З ЕКСПЛУАТАЦІЇ	63
<b>F</b>	NOTICE ORIGINALE	13	<b>GR</b>	ΠΡΟΤΟΤΥΠΟ ΟΔΗΓΙΩΝ ΧΡΗΣΗΣ	66
<b>D</b>	ORIGINALBETRIEBSANLEITUNG	16	<b>RO</b>	INSTRUCȚIUNI DE FOLOSIRE ORIGINALE	70
<b>NL</b>	ORIGINELE GEBRUIKSAANWIJZING	20	<b>BG</b>	ОРИГИНАЛНО РЪКОВОДСТВО ЗА ЕКСПЛОАТАЦИЯ	73
<b>S</b>	BRUKSANVISNING I ORIGINAL	23	<b>SK</b>	PŮVODNÝ NÁVOD NA POUŽITIE	77
<b>DK</b>	ORIGINAL BRUGSANVISNING	26	<b>HR</b>	ORIGINALNE UPUTE ZA RAD	81
<b>N</b>	ORIGINAL BRUKSANVISNING	29	<b>SRB</b>	ORIGINALNO UPUTSTVO ZA RAD	84
<b>FIN</b>	ALKUPERÄISET OHJEET	32	<b>SLO</b>	IZVIRNA NAVODILA	87
<b>E</b>	MANUAL ORIGINAL	35	<b>EST</b>	ALGUPÄRANE KASUTUSJUHEND	90
<b>P</b>	MANUAL ORIGINAL	39	<b>LV</b>	ORIĢINĀLĀ LIETOŠANAS PAMĀCĪBA	93
<b>I</b>	ISTRUZIONI ORIGINALI	42	<b>LT</b>	ORIGINALI INSTRUKCIJA	96
<b>H</b>	EREDETI HASZNÁLATI UTASÍTÁS	45	<b>MK</b>	ИЗБОРНО УПАТСТВО ЗА РАБОТА	99
<b>CZ</b>	PŮVODNÍM NÁVODEM K POUŽÍVÁNÍ	49	<b>AL</b>	UDHËZIMET ORIGINALE	103
<b>TR</b>	ORİJİNAL İŞLETME TALİMATI	52	<b>AR</b>	دليل الاستخدام	113
<b>PL</b>	INSTRUKCJA ORYGINALNA	55	<b>FA</b>	راهنمای اصلی	111
<b>RU</b>	ПОДЛИННИК РУКОВОДСТВА ПО ЭКСПЛУАТАЦИИ	58			



# EAC

[www.skil.com](http://www.skil.com)

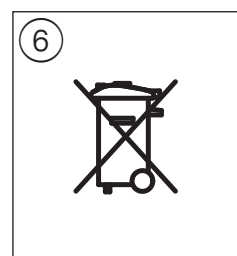
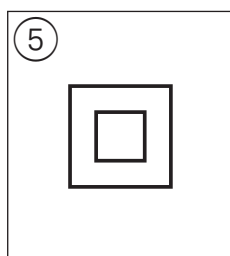
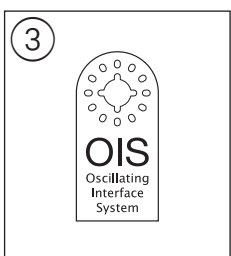
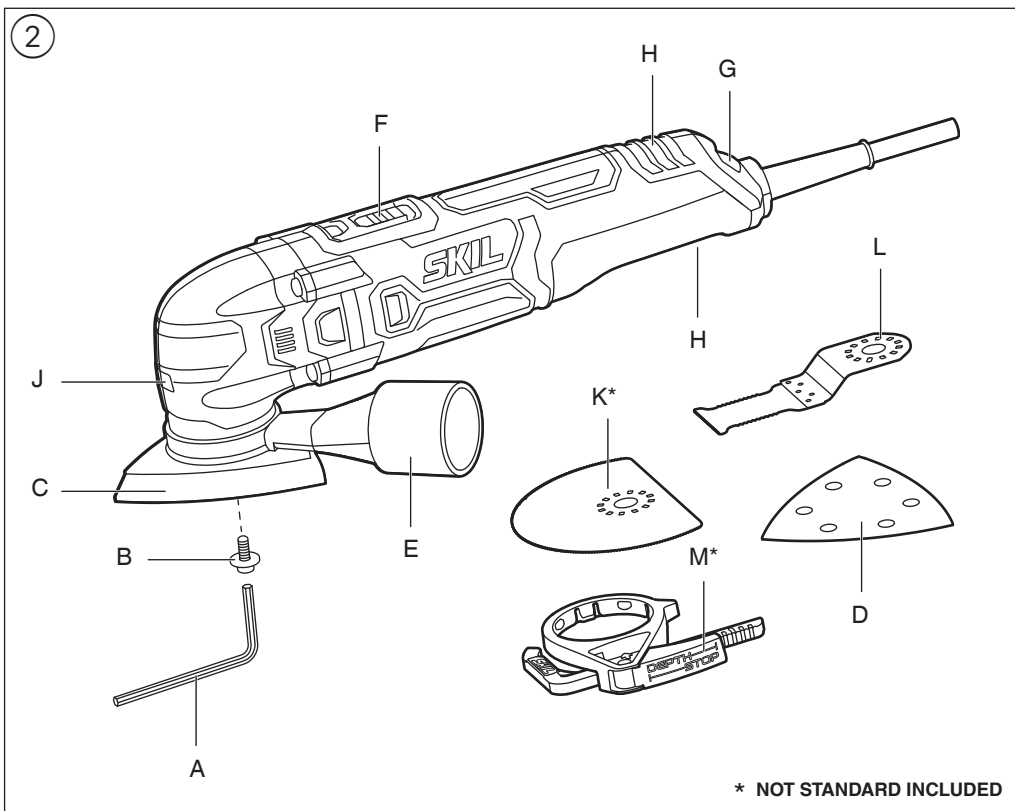


<b>GB</b>	<b>EU Declaration of conformity</b>		We declare under our sole responsibility that the stated products comply with all applicable provisions of the directives and regulations listed below and are in conformity with the following standards. Technical file at:*
	<b>Multi-function tool</b>	Article number	
<b>F</b>	<b>Déclaration de conformité UE</b>		Nous déclarons sous notre propre responsabilité que les produits décrits sont en conformité avec les directives, règlements normatifs et normes énumérés ci-dessous. Dossier technique auprès de:*
	<b>Outil multifonctions</b>	Número d'article	
<b>D</b>	<b>EU-Konformitätserklärung</b>		Wir erklären in alleiniger Verantwortung, dass die genannten Produkte allen einschlägigen Bestimmungen der nachfolgend aufgeführten Richtlinien und Verordnungen entsprechen und mit folgenden Normen übereinstimmen. Technische Unterlagen bei:*
	<b>Multifunktionswerkzeug</b>	Sachnummer	
<b>NL</b>	<b>EU-conformiteitsverklaring</b>		Wij verklaren op eigen verantwoordelijkheid dat de genoemde producten voldoen aan alle desbetreffende bepalingen van de hierna genoemde richtlijnen en verordeningen en overeenstemmen met de volgende normen. Technisch dossier bij:*
	<b>Multifunctionele machine</b>	Productnummer	
<b>S</b>	<b>EU-konformitetsförklaring</b>		Vi förklarar under eget ansvar att de nämnda produkterna uppfyller kraven i alla gällande bestämmelser i de nedan angivna direktiven och förordningarna och att de stämmer överens med följande normer. Teknisk dokumentation:*
	<b>Multifunktionsverktyg</b>	Produktnummer	
<b>DK</b>	<b>EU-overensstemmelseserklæring</b>		Vi erklærer som eneansvarlige, at det beskrevne produkt er i overensstemmelse med alle gældende bestemmelser i følgende direktiver og forordninger og opfylder følgende standarder. Tekniske bilag ved:*
	<b>Multifunktionsværktøj</b>	Typenummer	
<b>N</b>	<b>EU-samsvarserklæring</b>		Vi erklærer under eneansvar at de nevnte produktene er i overensstemmelse med alle relevante bestemmelser i direktivene og forordningene nedenfor og med følgende standarder. Teknisk dokumentasjon hos:*
	<b>Flerfunksjonsverktøy</b>	Produktnummer	
<b>FIN</b>	<b>EU-vaatimustenmukaisuusvakuutus</b>		Vakuutamme täten, että mainitut tuotteet vastaavat kaikkia seuraavien direktiivien ja asetusten asiaankuuluvia vaatimuksia ja ovat seuraavien standardien vaatimusten mukaisia. Tekniset asiakirjat saatavana:*
	<b>Monitoimityökalu</b>	Tuotenumero	
<b>E</b>	<b>Declaración de conformidad UE</b>		Declaramos bajo nuestra exclusiva responsabilidad, que los productos nombrados cumplen con todas las disposiciones correspondientes de las directivas y los reglamentos mencionados a continuación y están en conformidad con las siguientes normas. Documentos técnicos de:*
	<b>Herramienta multiuso</b>	Número de artículo	
<b>P</b>	<b>Declaração de conformidade CE</b>		Declaramos sob nossa exclusiva responsabilidade que os produtos mencionados cumprem todas as disposições e os regulamentos indicados e estão em conformidade com as seguintes normas. Documentação técnica pertencente à:*
	<b>Ferramenta multifunções</b>	Número do produto	
<b>I</b>	<b>Dichiarazione di conformità UE</b>		Dichiariamo sotto la nostra piena responsabilità che i prodotti indicati sono conformi a tutte le disposizioni pertinenti delle direttive e dei regolamenti elencati di seguito, nonché alle seguenti normative. Documentazione tecnica presso:*
	<b>Utensile multifunzione</b>	Codice prodotto	
<b>H</b>	<b>EU konformitási nyilatkozat</b>		Egyedüli felelőséggel kijelentjük, hogy a megnevezett termékek megfelelnek az alábbiakban felsorolásra kerülő irányelvek és rendeletek valamennyi idevágó előírásainak és megfelelnek a következő szabványoknak. Műszaki dokumentumok megőrzési pontja:*
	<b>Többfunkciós szerszám</b>	Cikkszám	
<b>CZ</b>	<b>EU prohlášení o shodě</b>		Prohlašujeme na výhradní zodpovědnost, že uvedený výrobek splňuje všechna příslušná ustanovení níže uvedených směrnic a nařízení a je v souladu s následujícími normami. Technické podklady u:*
	<b>Multifunkční nářadí</b>	Objednací číslo	
<b>TR</b>	<b>AB Uygunluk beyanı</b>		Tek sorumlu olarak, tanınlan ürünün aşağıdaki yönetmelik ve direktiflerin geçerli bütün hükümlerine ve aşağıdaki standartlara uygun olduğunu beyan ederiz. Teknik belgelerin bulunduğu yer:*
	<b>Çok fonksiyonlu alet</b>	Ürün kodu	
<b>PL</b>	<b>Deklaracja zgodności UE</b>		Oświadczamy z pełną odpowiedzialnością, że niniejsze produkty odpowiadają wszystkim wymaganiom poniżej wyszczególnionych dyrektyw i rozporządzeń, oraz że są zgodne z następującymi normami. Dokumentacja techniczna:*
	<b>Narzędzie wielofunkcyjne</b>	Numer katalogowy	
<b>RU</b>	<b>Заявление о соответствии ЕС</b>		Мы заявляем под нашу единоличную ответственность, что названные продукты соответствуют всем действующим предписаниям нижеуказанных директив и распоряжений, а также нижеуказанным норм. Техническая документация хранится у:*
	<b>Многофункциональный инструмент</b>	Товарный номер	
<b>UA</b>	<b>Заява про відповідність ЄС</b>		Мизявляємо під нашу одноособову відповідальність, що названі вироби відповідають усім чинним положенням нищезначених директив і розпоряджень, а також нижчеозначеним нормам. Технічна документація зберігається у:*
	<b>Багатофункціональний інструмент</b>	Товарний номер	
<b>GR</b>	<b>Αήλωση πιστότητας ΕΕ</b>		Δηλώνουμε με αποκλειστική μας ευθύνη, ότι τα αναφερόμενα προϊόντα συμμορφώνονται σε όλες τις σχετικές διατάξεις των πιο κάτω αναφερόμενων οδηγιών και κανονισμών και ταυτίζονται με τα ακόλουθα πρότυπα. Τεχνικά έγγραφα στη:*
	<b>Εργαλείο πολλαπλής χρήσης</b>	Αριθμός εμπορίου	

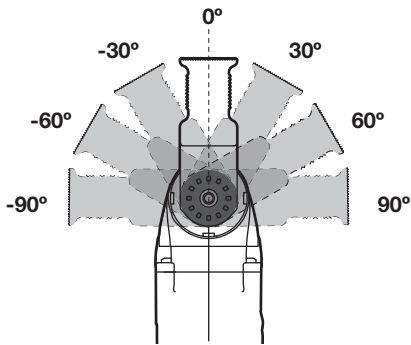
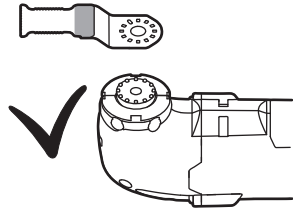
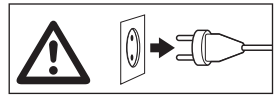
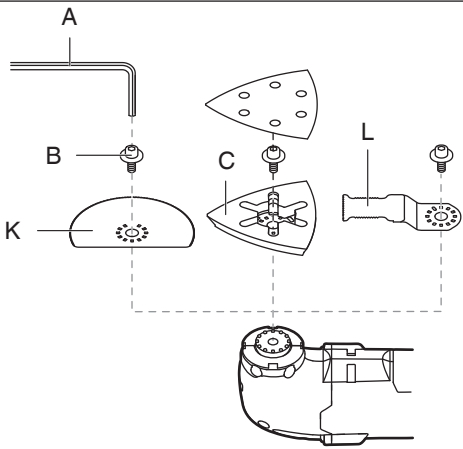
<b>RO</b>	<b>Declarație de conformitate UE</b>		Declarăm pe proprie răspundere că produsele menționate corespund tuturor dispozitivelor relevante ale directivelor și reglementărilor enumerate în cele ce urmează și sunt în conformitate cu următoarele standarde.
	<b>Sculă multifuncțională</b>	Număr de identificare	Documentație tehnică la:*
<b>BG</b>	<b>ЕС декларация за съответствие</b>		С пълна отговорност ние декларираме, че посочените продукти отговарят на всички валидни изисквания на директивите и разпоредбите по-долу и съответства на следните стандарти.
	<b>Многофункционален инструмент</b>	Каталожен номер	Техническа документация при:*
<b>SK</b>	<b>Pôvodnej EU vyhlásenie o zhode</b>		Vyhlasujeme na výhradnú zodpovednosť, že uvedený výrobok spĺňa všetky príslušné ustanovenia nižšie uvedených smerníc a nariadení a je v súlade s nasledujúcimi normami.
	<b>Multifunkčný nástroj</b>	Vecné číslo	Technické podklady má spoločnosť:*
<b>HR</b>	<b>EU izjava o skladnosti</b>		Pod punom odgovornošću izjavljujemo da navedeni proizvodi odgovaraju svim relevantnim odredbama direktiva i propisima navedenima u nastavku i da su skladni sa sljedećim normama.
	<b>Višenamjenski uređaj</b>	Kataloški broj	Tehnička dokumentacija se može dobiti kod:*
<b>SRB</b>	<b>EU-izjava o usaglašenosti</b>		Na sopstvenu odgovornost izjavljujemo, da navedeni proizvodi odgovaraju svim dotičnim odredbama naknadno navedenih smernica u uredbama i da su u skladu sa sledećim standardima.
	<b>Višenamenski alat</b>	Broj predmeta	Tehnička dokumentacija kod:*
<b>SLO</b>	<b>Izjava o skladnosti ES</b>		Izjavljamo pod izključno odgovornostjo, da je omenjen izdelek v skladu z vsemi relevantnimi določili direktiv in uredb ter ustreza naslednjim standardom.
	<b>Večnamensko orodje</b>	Številka artikla	Tehnična dokumentacija pri:*
<b>EST</b>	<b>EL-vastavusdeklaratsioon</b>		Kinnitame ainuvastutajatena, et nimetatud tooted vastavad järgnevalt loetletud direktiivide ja määruste kõiki dele asjaomastele nõuetele ja on kooskõlas järgmistega normidega.
	<b>Mitmeotstarbeline tööriist</b>	Tootenumber	Tehnilised dokumendid saadaval:*
<b>LV</b>	<b>Deklarācija par atbilstību EK standartiem</b>		Mēs ar pilnu atbildību paziņojam, ka šeit aplūkotie izstrādājumi atbilst visiem tālāk minētajās direktīvās un rīkojumos ietvertajām saistošajām nostādņēm, kā arī sekojošiem standartiem.
	<b>Daudzfunkcionāls instruments</b>	Izstrādājuma numurs	Tehnisķā dokumentācija no:*
<b>LT</b>	<b>ES atitikties deklaracija</b>		Atsakingai pareiškiame, kad išvardyti gaminiai atitinka visus privalomus žemiau nurodytų direktyvų ir reglamentų reikalavimus ir šiuos standartus.
	<b>Universalusis įrankis</b>	Gaminio numeris	Techninė dokumentacija saugoma:*
<b>MK</b>	<b>EU-Изјава за сообразност</b>		Со целосна одговорност изјавуваме, дека опишаните производи се во согласност со сите релевантни одредби на следните регулативи и прописи и се во согласност со следните норми.
	<b>Повеќенаменски алат</b>	Број на артикл	Техничка документација кај:*
<b>AL</b>	<b>EU Deklarata e konformitetit</b>		Ne deklarojmë me përgjegjësinë tonë të vetme se produktet e paraqitura janë në përputhje me të gjitha dispozitat e zbatueshme të direktivave dhe rregulloreve të listuara më poshtë dhe janë në përputhje me standardet si më poshtë.
	<b>Vegël shumëfunktionale</b>	Numri i nenit	Dosja teknike në:*
	<b>1491</b>	<b>MF1*1491**</b>	2006/42/EC 2014/30/EU 2011/65/EU  EN 62841-1:2015 EN 62841-2-4:2014  EN 61000-3-2:2014 EN 61000-3-3:2013 EN 55014-1:2006 + A1:2009 + A2:2011 EN 55014-2:2015  EN 50581:2012
			 * Skil BV Konijnenberg 62 4825 BD Breda The Netherlands
			Olaf Dijkgraaf Approval Manager    Skil BV, Konijnenberg 62, 4825 BD Breda, NL 27.12.2018

**1** **1491**

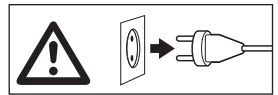
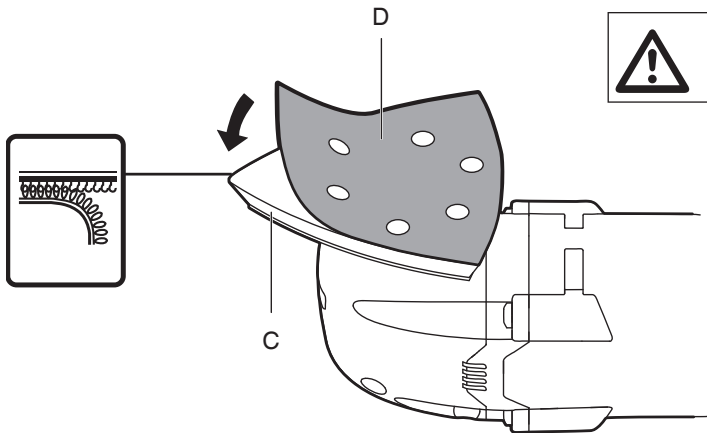
<b>300</b> Watt	<b>1,2</b> kg	$n_0$ 11000-20000 /min	1,4° 1,4°		<b>OIS</b>	<b>93</b> mm	<b>220</b> - <b>240</b> V~ 50-60 Hz
--------------------	---------------	------------------------------	--------------	--	------------	--------------	---



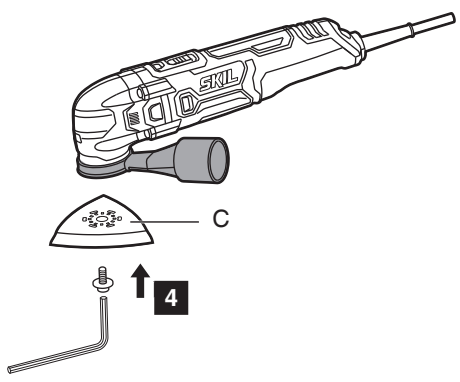
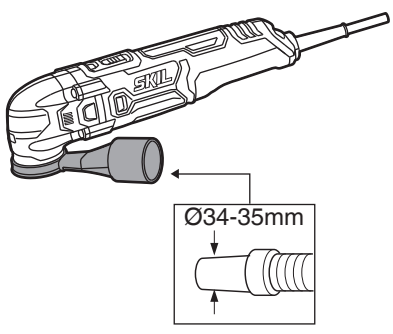
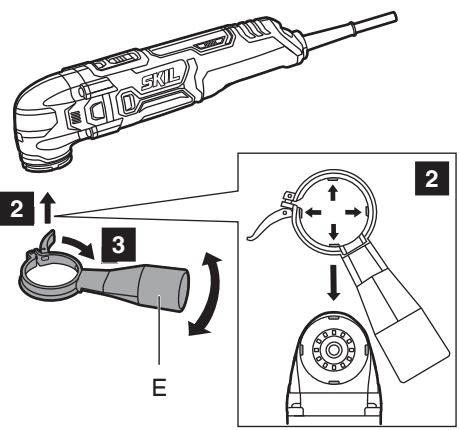
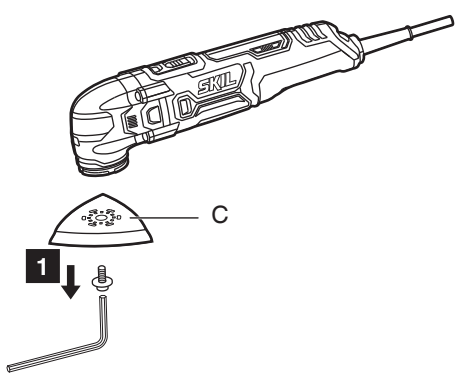
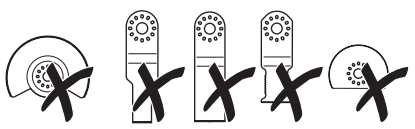
7

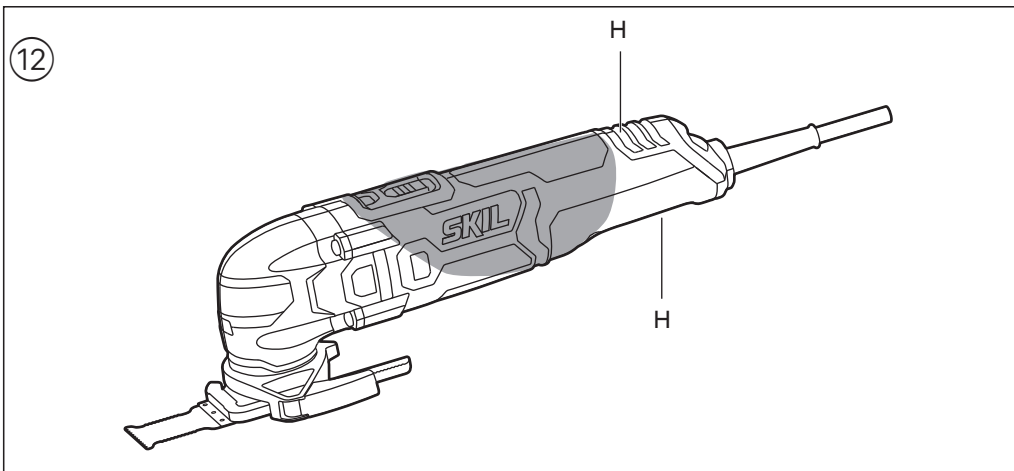
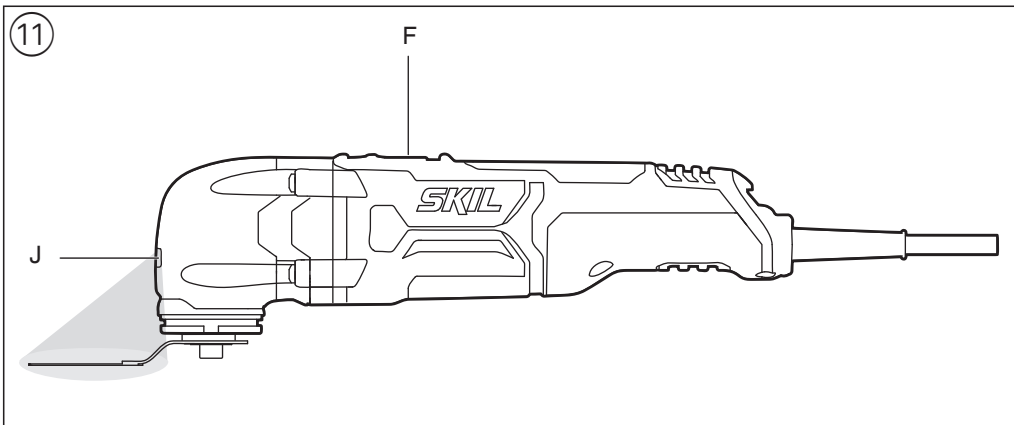
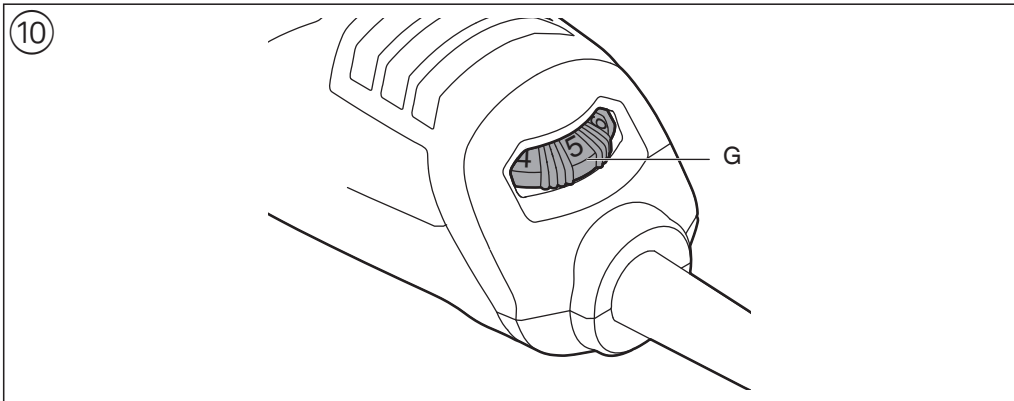


8

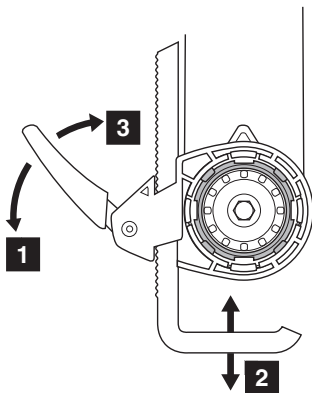
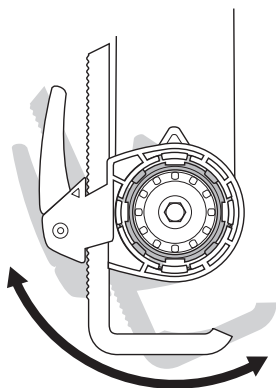
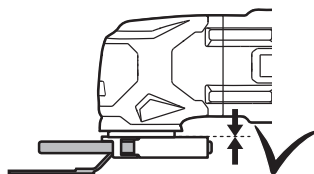
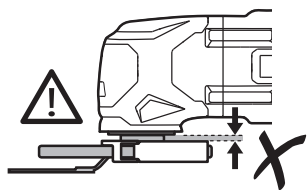
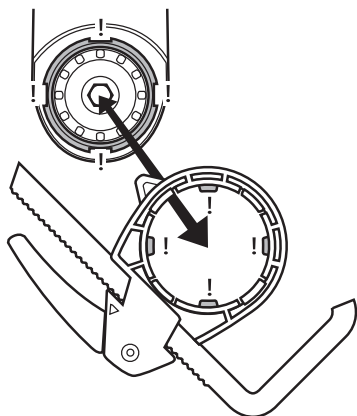
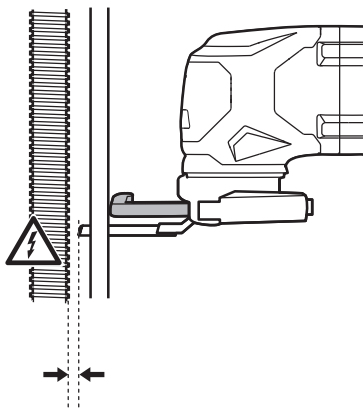
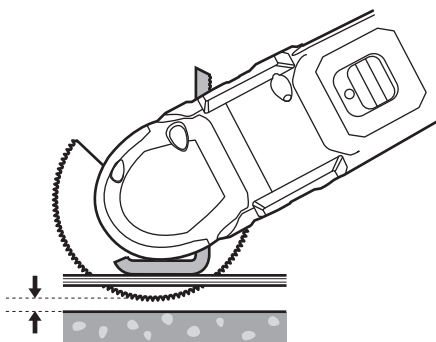


9

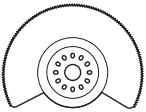
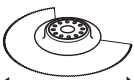

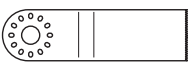
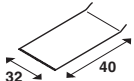

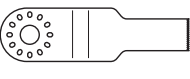
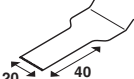

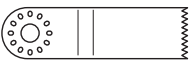
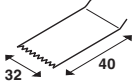

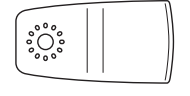
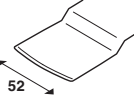

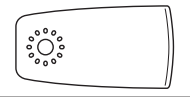
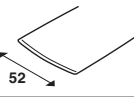


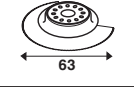

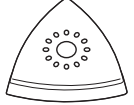
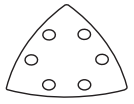
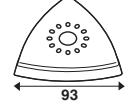





13





<p>14</p> <p>*</p> 	 <p>88</p>	
	 <p>32 40</p>	
<p>*</p> 	 <p>20 40</p>	
<p>*</p> 	 <p>32 40</p>	
<p>*</p> 	 <p>52</p>	
<p>*</p> 	 <p>52</p>	
<p>*</p> 	 <p>63</p>	
 	 <p>93</p> <div style="display: flex; flex-direction: column; align-items: center;"> <div style="border: 1px solid black; padding: 5px; margin-bottom: 5px;">60</div> <div style="border: 1px solid black; padding: 5px; margin-bottom: 5px;">80 *</div> <div style="border: 1px solid black; padding: 5px; margin-bottom: 5px;">120</div> <div style="border: 1px solid black; padding: 5px;">180</div> </div>	

\* NOT STANDARD INCLUDED

## Multifunction tool 1491

### INTRODUCTION

- This tool is intended for sawing and cutting in wood, plastic, plaster, metals and soft wall tiles as well as for dry sanding and scraping of small surfaces
- It is especially suitable for working close to edges and for flush cutting
- This tool is not intended for professional use
- This tool accepts most commonly available multi-tool accessories, including existing OIS and Starlock accessories ③
- Read and save this instruction manual ④

### TECHNICAL DATA ①

### TOOL ELEMENTS ②

- A Hex key
  - B Clamping screw with washer
  - C Sanding pad
  - D Sanding sheet
  - E Dust extraction device
  - F On/off switch
  - G Speed selection wheel
  - H Ventilation slots
  - J LED light
  - K Segment saw blade \*
  - L Plunge-cut saw blade
  - M Depth adjustment accessory \*
- \* NOT STANDARD INCLUDED

### SAFETY

#### GENERAL POWER TOOL SAFETY WARNINGS

**⚠ WARNING** Read all safety warnings, instructions, illustrations and specifications provided with this power tool. Failure to follow all instructions listed below may result in electric shock, fire and/or serious injury.

Save all warnings and instructions for future reference.

The term "power tool" in the warnings refers to your mains-operated (corded) power tool or battery-operated (cordless) power tool.

#### 1) WORK AREA SAFETY

- a) **Keep work area clean and well lit.** Cluttered or dark areas invite accidents.
- b) **Do not operate power tools in explosive atmospheres, such as in the presence of flammable liquids, gases or dust.** Power tools create sparks which may ignite the dust or fumes.
- c) **Keep children and bystanders away while operating a power tool.** Distractions can cause you to lose control.

#### 2) ELECTRICAL SAFETY

- a) **Power tool plugs must match the outlet. Never modify the plug in any way. Do not use any adapter plugs with earthed (grounded) power tools.** Unmodified plugs and matching outlets will reduce risk of electric shock.

- b) **Avoid body contact with earthed or grounded surfaces such as pipes, radiators, ranges and refrigerators.** There is an increased risk of electric shock if your body is earthed or grounded.
- c) **Do not expose power tools to rain or wet conditions.** Water entering a power tool will increase the risk of electric shock.
- d) **Do not abuse the cord. Never use the cord for carrying, pulling or unplugging the power tool. Keep cord away from heat, oil, sharp edges or moving parts.** Damaged or entangled cords increase the risk of electric shock.
- e) **When operating a power tool outdoors, use an extension cord suitable for outdoor use.** Use of a cord suitable for outdoor use reduces the risk of electric shock.
- f) **If operating a power tool in a damp location is unavoidable, use a residual current device (RCD) protected supply.** Use of an RCD reduces the risk of electric shock.

#### 3) PERSONAL SAFETY

- a) **Stay alert, watch what you are doing and use common sense when operating a power tool. Do not use a power tool while you are tired or under the influence of drugs, alcohol or medication.** A moment of inattention while operating power tools may result in serious personal injury.
  - b) **Use personal protective equipment. Always wear eye protection.** Protective equipment such as a dust mask, non-skid safety shoes, hard hat, or hearing protection used for appropriate conditions will reduce personal injuries.
  - c) **Prevent unintentional starting. Ensure the switch is in the off-position before connecting to power source and/or battery pack, picking up or carrying the tool.** Carrying power tools with your finger on the switch or energising power tools that have the switch on invites accidents.
  - d) **Remove any adjusting key or wrench before turning the power tool on.** A wrench or a key left attached to a rotating part of the power tool may result in personal injury.
  - e) **Do not overreach. Keep proper footing and balance at all times.** This enables better control of the power tool in unexpected situations.
  - f) **Dress properly. Do not wear loose clothing or jewellery. Keep your hair and clothing away from moving parts.** Loose clothes, jewellery or long hair can be caught in moving parts.
  - g) **If devices are provided for the connection of dust extraction and collection facilities, ensure these are connected and properly used.** Use of dust collection can reduce dust-related hazards.
  - h) **Do not let familiarity gained from frequent use of tools allow you to become complacent and ignore tool safety principles.** A careless action can cause severe injury within a fraction of a second.
- #### 4) POWER TOOL USE AND CARE
- a) **Do not force the power tool. Use the correct power tool for your application.** The correct power tool will do the job better and safer at the rate for which it was designed.

- b) **Do not use the power tool if the switch does not turn it on and off.** Any power tool that cannot be controlled with the switch is dangerous and must be repaired.
  - c) **Disconnect the plug from the power source and/ or remove the battery pack, if detachable, from the power tool before making any adjustments, changing accessories, or storing power tools.** Such preventive safety measures reduce the risk of starting the power tool accidentally.
  - d) **Store idle power tools out of the reach of children and do not allow persons unfamiliar with the power tool or these instructions to operate the power tool.** Power tools are dangerous in the hands of untrained users.
  - e) **Maintain power tools and accessories. Check for misalignment or binding of moving parts, breakage of parts and any other condition that may affect the power tool's operation. If damaged, have the power tool repaired before use.** Many accidents are caused by poorly maintained power tools.
  - f) **Keep cutting tools sharp and clean.** Properly maintained cutting tools with sharp cutting edges are less likely to bind and are easier to control.
  - g) **Use the power tool, accessories and tool bits etc., in accordance with these instructions, taking into account the working conditions and the work to be performed.** Use of the power tool for operations different from those intended could result in a hazardous situation.
  - h) **Keep handles and grasping surfaces dry, clean and free from oil and grease.** Slippery handles and grasping surfaces do not allow for safe handling and control of the tool in unexpected situations.
- 5) SERVICE**
- a) **Have your power tool serviced by a qualified repair person using only identical replacement parts.** This will ensure that the safety of the power tool is maintained.

## SAFETY INSTRUCTIONS FOR MULTI-FUNCTION TOOLS

### GENERAL

- This tool should not be used by people under the age of 16 years
- Use completely unrolled and safe extension cords with a capacity of 16 Amps (U.K. 13 Amps)
- Always check that the supply voltage is the same as the voltage indicated on the nameplate of the tool
- Avoid damage that can be caused by screws, nails and other elements in your workpiece; remove them before you start working
- Dust from material such as paint containing lead, some wood species, minerals and metal may be harmful (contact with or inhalation of the dust may cause allergic reactions and/or respiratory diseases to the operator or bystanders); **wear a dust mask and work with a dust extraction device when connectable**
- Certain kinds of dust are classified as carcinogenic (such as oak and beech dust) especially in conjunction with additives for wood conditioning; **wear a dust mask and work with a dust extraction device when connectable**
- Follow the dust-related national requirements for the materials you want to work with
- **Use clamps or another practical way to secure and support the workpiece to a stable platform** (holding

the workpiece by hand or against your body leaves it unstable and may lead to loss of control)

- **Do not work materials containing asbestos** (asbestos is considered carcinogenic)
- **Always disconnect plug from power source during work breaks or before cleaning, maintenance, making adjustments and changing accessories, in order to reduce the risk of starting the tool accidentally**
- When working, always hold the tool firmly with both hands and take a secure stance
- Always keep the cord away from moving parts of the tool; direct the cord to the rear, away from the tool
- **Use protective gloves when changing accessories** (contact with the accessory can lead to injuries)
- In case of electrical or mechanical malfunction, immediately switch off the tool and disconnect the plug
- If the cord is damaged or cut through while working, do not touch the cord, but immediately disconnect the plug
- Never use the tool when the cord is damaged; it must be replaced by a specially prepared cord available through an after-sales service centre for SKIL power tools and carried out by a qualified person
- When you put away the tool, switch off the motor and ensure that all moving parts have come to a complete standstill

### WHEN SAWING/CUTTING

- **Hold the power tool by insulated gripping surfaces, when performing an operation where the cutting accessory may contact hidden wiring or its own cord** (cutting accessory contacting a "live" wire may make exposed metal parts of the power tool "live" and could give the operator an electric shock)
- **Keep hands away from cutting area;** never reach underneath the material for any reason while cutting
- **Use suitable detectors to find hidden utility lines or call the local utility company for assistance** (contact with electric lines can lead to fire or electrical shock; damaging a gas line can result in an explosion; penetrating a water pipe will cause property damage or an electrical shock)
- Do not use a saw blade which is cracked, deformed or dull

### WHEN SANDING

- **Use the tool only for dry sanding** (penetration of water into the tool increases the risk of an electric shock)
- Do not touch the moving sanding sheet
- Do not continue to use worn, torn or heavily clogged sanding sheets
- When sanding metal, sparks are generated; do not use vacuum cleaner and keep other persons and combustible material from work area

### EXPLANATION OF SYMBOLS ON TOOL

- ③ This tool accepts most commonly available multi-tool accessories, including existing OIS and Starlock basic accessories
- ④ Read the instruction manual before use
- ⑤ Double insulation (no earth wire required)
- ⑥ Do not dispose of the tool together with household waste material

### WHEN CONNECTING NEW 3-PIN PLUG (U.K. ONLY):

- Do not connect the blue (= neutral) or brown (= live) wire in the cord of this tool to the earth terminal of the plug
- If for any reason the old plug is cut off the cord of this tool, it must be disposed of safely and not left unattended

## USE

- Changing accessories ⑦
  - ! **disconnect the plug**
  - remove/mount the required accessory as illustrated
  - ensure that the openings of the accessory engage into the tabs of the tool head (any snap-in position possible)
  - mount the accessory with the depressed centre pointing downwards
  - loosen/fasten screw B with hex key A
  - **check the tight seating of the accessory** (incorrect or not securely fastened accessories can come loose during operation and create a hazard)
- Mounting of sanding sheet ⑧
  - tap the dust out of the VELCRO material on sanding pad C before mounting the sanding sheet
  - mount VELCRO sanding sheet D as illustrated
  - ! **the dust suction requires the use of perforated sanding sheets**
  - ! **perforation in sanding sheet should correspond with perforation in sanding foot**
  - ! **replace worn sanding sheets in time**
  - ! **always use the tool with the total VELCRO surface covered with sanding paper**
- Dust suction ⑨
  - ! **disconnect the plug**
  - use dust extraction device E only when working with sanding pad C
  - mount dust extraction device E as illustrated
  - connect vacuum cleaner
  - ! **do not use dust extraction device/vacuum cleaner when sanding metal**
  - clean dust extraction device E regularly for optimal dust pick-up performance
- On/off
  - Switch on/off the tool by pushing switch F ② in "I"/"O" position
  - ! **before the accessory reaches the workpiece, the tool should run at full speed**
  - ! **before switching off the tool, you should lift it from the workpiece**
- Adjusting working speed ⑩
  - with wheel G the required oscillating frequency can be adjusted from low (1) to high (6) (also while tool is running)
  - the optimal working speed depends on the material and can be determined with practical trials
- LED-light J ⑪
  - LED-light J automatically lights on when activating switch F
- Holding and guiding the tool ⑫
  - ! **while working, always hold the tool at the grey-coloured grip area(s)**
  - keep ventilation slots H uncovered
  - do not apply too much pressure on the tool (excessive pressure will cause excessive heat and may shorten the service life of the accessory)
- Depth adjustment accessory M (DEPTH STOP) (not standard included) ⑬

## APPLICATION ADVICE

- For optimal results on different materials use table ⑭ as reference for determining the right accessory (**accessories not standard included**)
- For more tips see [www.skil.com](http://www.skil.com)

## MAINTENANCE / SERVICE

- This tool is not intended for professional use
- Always keep tool and cord clean (especially ventilation slots H ②)
  - ! **disconnect the plug before cleaning**
- If the tool should fail despite the care taken in manufacturing and testing procedures, repair should be carried out by an after-sales service centre for SKIL power tools
  - send the tool **undismantled** together with proof of purchase to your dealer or the nearest SKIL service station (addresses as well as the service diagram of the tool are listed on [www.skil.com](http://www.skil.com))
- Be aware that damage due to overload or improper handling of the tool will be excluded from the warranty (for the SKIL warranty conditions see [www.skil.com](http://www.skil.com) or ask your dealer)

## ENVIRONMENT

- **Do not dispose of electric tools, accessories and packaging together with household waste material** (only for EU countries)
  - in observance of European Directive 2012/19/EC on waste of electric and electronic equipment and its implementation in accordance with national law, electric tools that have reached the end of their life must be collected separately and returned to an environmentally compatible recycling facility
  - symbol ⑥ will remind you of this when the need for disposing occurs

## NOISE / VIBRATION

- Measured in accordance with EN 62841 the sound pressure level of this tool is 86.5 dB(A) and the sound power level 97.5 dB(A) (uncertainty K = 3 dB), and the vibration \* (triax vector sum; uncertainty K = 1.5 m/s<sup>2</sup>)
  - \* when sanding 3.4 m/s<sup>2</sup>
- The vibration emission level has been measured in accordance with a standardised test given in EN 62841; it may be used to compare one tool with another and as a preliminary assessment of exposure to vibration when using the tool for the applications mentioned
  - using the tool for different applications, or with different or poorly maintained accessories, may significantly **increase** the exposure level
  - the times when the tool is switched off or when it is running but not actually doing the job, may significantly **reduce** the exposure level
- ! **protect yourself against the effects of vibration by maintaining the tool and its accessories, keeping your hands warm, and organizing your work patterns**

## Outil multifonctions 1491

### INTRODUCTION

- Cet outil est conçu pour le sciage et la découpe du bois, du plastique, des métaux et des carreaux muraux mous ainsi qu'au ponçage à sec et au grattage de petites surfaces
- Il est particulièrement bien approprié pour travailler près du bord et bord à bord
- Cet outil n'est pas conçu pour un usage professionnel
- Cet outil accepte tous les accessoires d'outils multifonctions les plus courants, y compris les accessoires OIS et Starlock existants ③
- Lisez et conservez ce manuel d'instruction ④

### CARACTERISTIQUES TECHNIQUES ①

#### ELEMENTS DE L'OUTIL ②

- A Clé hexagonale
- B Vis de serrage avec rondelle
- C Patin de ponçage
- D Feuille de ponçage
- E Appareil de dépoussiérage
- F Interrupteur marche/arrêt
- G Molette pour régler la vitesse
- H Fentes de ventilation
- J Voyant LED
- K Lame de scie à segments \*
- L Lame de scie à coupe en plongée
- M Accessoire de réglage de profondeur \*

\* NON FOURNI EN STANDARD

### SECURITE

#### AVERTISSEMENTS DE SECURITE GENERAUX POUR L'OUTIL ELECTRIQUE

**AVERTISSEMENT** Lisez tous les avertissements de sécurité, toutes les instructions, illustrations et caractéristiques fournies avec cet outil électrique.

Le non-respect du suivi de toutes les instructions reprises ci-dessous peut provoquer un électrochoc, un incendie et/ou des blessures graves.

**Conservez tous les avertissements et toutes les instructions pour pouvoir s'y reporter ultérieurement.**

Le terme "outil électrique" dans les avertissements se rapporte à des outils électriques raccordés au secteur (avec câble de raccordement) et à des outils électriques à batterie (sans câble de raccordement).

#### 1) SECURITE DE LA ZONE DE TRAVAIL

- a) **Maintenez l'endroit de travail propre et bien éclairé.**  
Un lieu de travail en désordre ou mal éclairé augmente le risque d'accidents.
- b) **N'utilisez pas l'outil électrique dans un environnement présentant des risques d'explosion et où se trouvent des liquides, des gaz ou poussières inflammables.** Les outils électriques

génèrent des étincelles risquant d'enflammer les poussières ou les vapeurs.

- c) **Tenez les enfants et autres personnes éloignés durant l'utilisation de l'outil électrique.** En cas d'inattention vous risquez de perdre le contrôle sur l'outil électrique.
- #### 2) SECURITE RELATIVE AU SYSTEME ELECTRIQUE
- a) **La fiche de secteur de l'outil électrique doit être appropriée à la prise de courant. Ne modifiez en aucun cas la fiche. N'utilisez pas de fiches d'adaptateur avec des outils électriques avec mise à la terre.** Les fiches non modifiées et les prises de courant appropriées réduisent le risque de choc électrique.
  - b) **Évitez le contact physique avec des surfaces mises à la terre telles que tuyaux, radiateurs, fours et réfrigérateurs.** Il y a un risque élevé de choc électrique au cas où votre corps serait relié à la terre.
  - c) **N'exposez pas l'outil électrique à la pluie ou à l'humidité.** La pénétration d'eau dans un outil électrique augmente le risque d'un choc électrique.
  - d) **N'utilisez pas le câble à d'autres fins que celles prévues, n'utilisez pas le câble pour porter l'outil électrique ou pour l'accrocher ou encore pour le débrancher de la prise de courant. Maintenez le câble éloigné des sources de chaleur, des parties grasses, des bords tranchants ou des parties de l'outil électrique en rotation.** Un câble endommagé ou torsadé augmente le risque d'un choc électrique.
  - e) **Au cas où vous utiliseriez l'outil électrique à l'extérieur, utilisez une rallonge autorisée homologuée pour les applications extérieures.** L'utilisation d'une rallonge électrique homologuée pour les applications extérieures réduit le risque d'un choc électrique.
  - f) **Si l'usage d'un outil dans un emplacement humide est inévitable, utilisez un disjoncteur de fuite à la terre.** L'utilisation d'un disjoncteur de fuite à la terre réduit le risque de choc électrique.
- #### 3) SECURITE DES PERSONNES
- a) **Restez vigilant, surveillez ce que vous faites. Faites preuve de bon sens en utilisant l'outil électrique. N'utilisez pas l'outil électrique lorsque vous êtes fatigué ou après avoir consommé de l'alcool, des drogues ou avoir pris des médicaments.** Un moment d'inattention lors de l'utilisation de l'outil électrique peut entraîner de graves blessures sur les personnes.
  - b) **Portez des équipements de protection. Portez toujours des lunettes de protection.** Le fait de porter des équipements de protection personnels tels que masque anti-poussières, chaussures de sécurité antidérapantes, casque de protection ou protection acoustique suivant le travail à effectuer, réduit le risque de blessures.
  - c) **Évitez tout démarrage intempestif. S'assurez que l'interrupteur est en position arrêt avant de brancher l'outil au secteur et/ou au bloc de batteries, de le ramasser ou de le porter.** Porter les outils en ayant le doigt sur l'interrupteur ou brancher des outils dont l'interrupteur est en position marche est source d'accidents.
  - d) **Enlevez tout outil de réglage ou toute clé avant de mettre l'outil électrique en fonctionnement.** Une clé

ou un outil se trouvant sur une partie en rotation peut causer des blessures.

- e) **Ne surestimez pas vos capacités. Veillez à garder toujours une position stable et équilibrée.** Ceci vous permet de mieux contrôler l'outil électrique dans des situations inattendues.
- f) **Portez des vêtements appropriés. Ne portez pas de vêtements amples ni de bijoux. Gardez les cheveux et les vêtements à distance des parties en mouvement.** Des vêtements amples, des bijoux ou des cheveux longs peuvent être happés par des pièces en mouvement.

- g) **Si des dispositifs servant à aspirer ou à recueillir les poussières doivent être utilisés, vérifiez que ceux-ci soient effectivement raccordés et qu'ils sont correctement utilisés.** L'utilisation des collecteurs de poussière réduit les dangers dus aux poussières.

- h) **Restez vigilant et ne pas négligez les principes de sécurité de l'outil sous prétexte que vous avez l'habitude de l'utiliser.** Une fraction de seconde d'inattention peut provoquer une blessure grave.

#### 4) UTILISATION ET EMPLOI SOIGNEUX DE L'OUTIL ELECTRIQUE

- a) **Ne surchargez pas l'outil électrique. Utilisez l'outil électrique approprié au travail à effectuer.** Avec l'outil électrique approprié, vous travaillerez mieux et avec plus de sécurité à la vitesse pour laquelle il est prévu.

- b) **N'utilisez pas un outil électrique dont l'interrupteur est défectueux.** Un outil électrique qui ne peut plus être mis en ou hors fonctionnement est dangereux et doit être réparé.

- c) **Débranchez la fiche de la source d'alimentation et/ou enlevez le bloc de batteries, s'il est amovible, avant tout réglage, changement d'accessoires ou avant de ranger l'outil électrique.** De telles mesures de sécurité préventives réduisent le risque de démarrage accidentel de l'outil électrique.

- d) **Gardez les outils électriques non utilisés hors de portée des enfants. Ne permettez pas l'utilisation de l'outil électrique à des personnes qui ne se sont pas familiarisées avec celui-ci ou qui n'ont pas lu ces instructions.** Les outils électriques sont dangereux lorsqu'ils sont utilisés par des personnes non initiées.

- e) **Observez la maintenance des outils électriques et des accessoires. Vérifiez que les parties en mouvement fonctionnent correctement et qu'elles ne soient pas coincées, et contrôlez si des parties sont cassées ou endommagées de telle sorte que le bon fonctionnement de l'outil électrique s'en trouve entravé. Faites réparer les parties endommagées avant d'utiliser l'outil électrique.** De nombreux accidents sont dus à des outils électriques mal entretenus.

- f) **Maintenez les outils de coupe aiguisés et propres.** Des outils soigneusement entretenus avec des bords tranchants bien aiguisés se coincent moins souvent et peuvent être guidés plus facilement.

- g) **Utilisez l'outil électrique, les accessoires, les outils à monter etc. conformément à ces instructions. Tenez compte également des conditions de travail et du travail à effectuer.** L'utilisation de l'outil électrique à d'autres fins que celles prévues peut entraîner des situations dangereuses.

- h) **Il faut que les poignées et les surfaces de préhension restent sèches, propres et dépourvues d'huiles et de graisses.** Des poignées et des surfaces de préhension glissantes rendent impossibles la manipulation et le contrôle en toute sécurité de l'outil dans les situations inattendues.

#### 5) SERVICE

- a) **Ne faites réparer votre outil électrique que par un personnel qualifié et seulement avec des pièces de rechange d'origine.** Ceci permet d'assurer la sécurité de l'outil électrique.

### INSTRUCTIONS DE SECURITE POUR OUTILS MULTIFONCTIONS

#### GENERALITES

- Cet outil ne doit pas être utilisé par des personnes de moins de 16 ans
- Utilisez un câble de prolongement complètement déroulé et de bonne qualité d'une capacité de 16 A
- Contrôlez toujours si la tension secteur correspond à la tension indiquée sur la plaquette signalétique de l'outil
- Faites attention aux vis, clous ou autres éléments qui pourraient se trouver dans la pièce à travailler et qui risqueraient d'endommager très fortement votre outil; enlevez-les avant de commencer le travail
- La poussière de matériaux, tels que la peinture contenant du plomb, certaines espèces de bois, certains minéraux et différents métaux, peut être nocive (le contact avec la poussière ou son inhalation peut provoquer des réactions allergiques et/ou des maladies respiratoires chez l'opérateur ou des personnes se trouvant à proximité); **portez un masque antipoussières et travaillez avec un appareil de dépoussiérage lorsqu'il est possible d'en connecter un**
- Certains types de poussières sont classifiés comme étant cancérigènes (tels que la poussière de chêne ou de hêtre), en particulier en combinaison avec des additifs de traitement du bois; **portez un masque antipoussières et travaillez avec un appareil de dépoussiérage lorsqu'il est possible d'en connecter un**
- Suivez les directives nationales relatives au dépoussiérage pour les matériaux à travailler
- **Utilisez des pinces ou tout autre système pratique pour fixer et soutenir la pièce à travailler sur une surface stable** (si vous la tenez dans la main ou contre le corps, elle peut devenir instable et risquer de vous échapper)
- **Ne travaillez pas de matériaux contenant de l'amiante** (l'amiante est considéré comme étant cancérigène)
- **Débranchez toujours la prise du secteur durant les pauses ou avant d'effectuer un nettoyage, un entretien, d'effectuer des réglages et de changer des accessoires pour éviter que l'outil ne se mette en marche accidentellement**
- En travaillant, toujours tenez fermement l'outil à l'aide des deux mains et adoptez une position de travail stable et sûre
- Tenez toujours le câble éloigné des parties mobiles de l'outil; orientez le câble vers l'arrière le plus loin possible de l'outil
- **Utilisez des gants de protection lors du changement d'accessoires** (tout contact avec l'accessoire peut provoquer des blessures)

- En cas de dysfonctionnement électrique ou mécanique, mettez directement l'outil hors service et débranchez la fiche
- Si le câble est endommagé ou rompu pendant le travail, n'y touchez pas, mais débranchez immédiatement la prise
- N'utilisez jamais l'outil lorsque le cordon d'alimentation est endommagé: Il doit être remplacé par un cordon spécialement préparé, disponible auprès d'un service après-vente pour outils électriques SKIL; le travail doit être effectué par une personne qualifiée
- Lorsque vous rangez votre outil, le moteur doit être coupé et les pièces mobiles complètement arrêtées

#### LORS DU SCIAGE/DE LA COUPE

- **Tenez l'outil par les surfaces de préhension isolées, lors de la réalisation d'une opération au cours de laquelle l'accessoire de coupe peut entrer en contact avec un câblage non apparent ou son propre câble d'alimentation** (le contact avec un fil sous tension peut également mettre sous tension les parties métalliques de l'outil électrique et provoquer un choc électrique sur l'opérateur)
- **Éloignez vos mains de la zone de coupe;** pendant la coupe, ne passez en aucun cas vos mains sous le matériau
- **Utilisez des détecteurs appropriés afin de localiser la présence de conduites électriques ou bien s'adresser à la société locale de distribution** (un contact avec des lignes électriques peut provoquer un incendie et une décharge électrique; le fait d'endommager une conduite de gaz peut entraîner une explosion; le fait d'endommager une conduite d'eau peut entraîner des dégâts matériels ou causer une décharge électrique)
- Ne pas utiliser une lame fendue, déformée ou émoussée

#### LORS DU PONÇAGE

- **Utilisez l'outil uniquement pour poncer à sec** (toute pénétration d'eau dans l'outil accroît le risque de choc électrique)
- Ne touchez pas la feuille de ponçage en rotation
- N'utilisez plus les feuilles de ponçage usées, fissurées ou fortement encrassées
- Lorsque vous poncez du métal, des étincelles se produisent; n'utilisez pas l'aspirateur et tenez toute autre personne ou tout matériel combustible éloignés de votre lieu de travail

#### EXPLICATION DES SYMBOLES SUR L'OUTIL

- ③ Cet outil accepte tous les accessoires d'outils multifonctions les plus courants, notamment les accessoires OIS et Starlock basics
- ④ Veuillez lire le mode d'emploi avant d'utiliser l'outil
- ⑤ Double-isolation (ne nécessite pas de mise à la terre)
- ⑥ Ne jetez pas l'outil dans les ordures ménagères

## UTILISATION

- Changement d'accessoires ⑦  
**! débranchez la fiche**  
 - enlevez/montez l'accessoire nécessaire comme illustré  
 - veillez à ce que les ouvertures de l'accessoire s'engagent dans les onglets de la tête de l'outil (toute position d'enclenchement possible)  
 - montez l'accessoire, le centre enfoncé pointant vers le bas  
 - desserrez/serrez la vis B avec la clé hexagonale A

- **veillez à ce que l'accessoire soit bien serré** (les accessoires mal serrés ou qui ne sont pas serrés en toute sécurité peuvent se desserrer durant le fonctionnement et poser problème)
- Montage des feuilles de ponçage ⑧  
 - avant de monter la feuille de ponçage C enlevez la poussière du revêtement VELCRO sur le patin de ponçage en tapant dessus  
 - montez la feuille de ponçage VELCRO D comme illustré  
**! l'aspiration des poussières exige des feuilles de ponçage perforées**  
**! la perforation du papier devrait correspondre à la perforation de la semelle de ponçage**  
**! quand les feuilles sont usagées n'attendez pas pour les changer**  
**! utilisez toujours cet outil avec la surface VELCRO complètement recouverte d'une feuille de ponçage**
- Aspiration de poussières ⑨  
**! débranchez la fiche**  
 - utilisez le dispositif de dépoussiérage E uniquement lorsque vous travaillez avec le patin de ponçage C  
 - montez le dispositif de dépoussiérage E comme illustré  
 - montez l'aspirateur  
**! n'utilisez pas le dispositif de dépoussiérage/l'aspirateur pour le ponçage des métaux**  
 - videz le dispositif de dépoussiérage E régulièrement pour une récupération optimale des poussières
- Marche/arrêt  
 - Mettez en marche/arrêtez l'outil en poussant l'interrupteur F ② dans la position "I"/"O"  
**! avant que l'accessoire atteigne la pièce à travailler, l'outil doit tourner à la vitesse maximum**  
**! avant d'arrêter l'outil, vous devriez le soulever de la pièce à travailler**
- Adaptation de la vitesse de fonctionnement ⑩  
 - avec meule G la fréquence d'oscillation requise peut être réglée de faible (1) à haute (6) (aussi pendant que l'outil tourne)  
 - la vitesse de travail optimale dépend du matériau et peut être déterminée par des essais pratiques
- Voyant DEL J ⑪  
 - Le voyant DEL J s'allume automatiquement quand l'interrupteur est activé F
- Tenue et guidage de l'outil ⑫  
**! lorsque vous travaillez, tenez toujours l'outil par la(les) zone(s) de couleur grise**  
 - veillez à ce que les fentes de ventilation H soient découvertes  
 - n'appliquez pas une pression excessive sur l'outil (l'excès de pression entraîne un surchauffe et peut réduire la durée de vie utile de l'accessoire)
- Accessoire de réglage de profondeur M (DEPTH STOP) (n'est pas livré en standard) ⑬


## CONSEILS D'UTILISATION

- Pour optimiser les résultats sur différents matériaux, utilisez le tableau ⑭ comme référence pour déterminer l'accessoire approprié (**les accessoires ne sont pas fournis en standard**)
- Pour des suggestions complémentaires voyez [www.skil.com](http://www.skil.com)

## ENTRETIEN / SERVICE APRES-VENTE

- Cet outil n'est pas conçu pour un usage professionnel
- Gardez toujours votre outil et le câble propres (spécialement les aérations H ②)  
**! débranchez la fiche avant le nettoyage**
- Si, malgré tous les soins apportés à la fabrication et au contrôle de l'outil, celui-ci devait avoir un défaut, la réparation ne doit être confiée qu'à une station de service après-vente agréée pour outillage SKIL
  - retournez l'outil **non démonté** avec votre preuve d'achat au revendeur ou au centre de service après-vente SKIL le plus proche (les adresses ainsi que la vue éclatée de l'outil figurent sur [www.skil.com](http://www.skil.com))
- Veuillez noter que tout dégât causé par une surcharge ou une mauvaise utilisation de l'outil ne sera pas couvert par la garantie (pour connaître les conditions de la garantie SKIL, surfez sur [www.skil.com](http://www.skil.com) ou adressez-vous à votre revendeur)

## ENVIRONNEMENT

- **Ne jetez pas les outils électriques, les accessoires et l'emballage dans les ordures ménagères** (pour les pays européens uniquement)
  - conformément à la directive européenne 2012/19/EG relative aux déchets d'équipements électriques ou électroniques, et à sa transposition dans la législation nationale, les outils électriques usés doivent être collectés séparément et faire l'objet d'un recyclage respectueux de l'environnement
  - le symbole  vous le rappellera au moment de la mise au rebut de l'outil



## BRUIT / VIBRATION

- Mesurés selon EN 62841, le niveau de pression sonore de cet outil est de 86,5 dB(A), le niveau de puissance acoustique est de 97,5 dB(A) (incertitude K = 3 dB), et la vibration \* (somme vectorielle triax ; incertitude K = 1,5 m/s<sup>2</sup>)  
**\* pendant le ponçage 3.4 m/s<sup>2</sup>**
  - Le niveau de vibrations émises a été mesuré conformément à l'essai normalisé de la norme EN 62841; il peut être utilisé pour comparer plusieurs outils et pour réaliser une évaluation préliminaire de l'exposition aux vibrations lors de l'utilisation de l'outil pour les applications mentionnées
    - l'utilisation de l'outil dans d'autres applications, ou avec des accessoires différents ou mal entretenus, peut considérablement **augmenter** le niveau d'exposition
    - la mise hors tension de l'outil et sa non-utilisation pendant qu'il est allumé peuvent considérablement **réduire** le niveau d'exposition
- ! protégez-vous contre les effets des vibrations par un entretien correct de l'outil et de ses accessoires, en gardant vos mains chaudes et en structurant vos schémas de travail**

D

## Multifunktionswerkzeug

1491

### EINLEITUNG

- Dieses Werkzeug dient zum Sägen und Trennen von Holz, Kunststoff, Putz, Metall und weichen Wandfliesen sowie zum trockenen Schleifen und Schaben kleiner Flächen
- Es ist besonders zum randnahen und bündigen Arbeiten geeignet
- Dieses Werkzeug eignet sich nicht für den professionellen Einsatz
- Dieses Werkzeug kann mit den meisten handelsüblichen Zubehörteilen für Multifunktionswerkzeuge verwendet werden, einschließlich OIS- und Starlock-Zubehör ③
- Bitte diese Bedienungsanleitung sorgfältig lesen und aufbewahren ④

### TECHNISCHE DATEN ①

### WERKZEUGKOMPONENTEN ②

- A** Sechskantschlüssel
- B** Befestigungsschraube mit Unterlegscheibe
- C** Schleifplatte
- D** Schleifblatt
- E** Staubaabsaugvorrichtung
- F** Ein/Aus-Schalter
- G** Drehzahlregler
- H** Lüftungsschlitze
- J** LED-Lampe
- K** Segmentsägeblatt \*
- L** Tauchsägeblatt
- M** Tiefeneinstellungszubehör \*

\* STANDARDMÄSSIG NICHT ENTHALTEN

### SICHERHEIT

#### ALLGEMEINE SICHERHEITSHINWEISE FÜR ELEKTROWERKZEUGE

**⚠ WARNUNG Lesen Sie alle Sicherheitshinweise, Anweisungen, Abbildungen und technischen Daten dieses Elektrogeräts.** Die Nichtbeachtung der nachfolgenden Anweisungen kann zu Stromschlägen, Bränden bzw. ernsthaften Verletzungen führen.

#### Bewahren Sie alle Sicherheitshinweise und Anweisungen für die Zukunft auf.

Der in den Sicherheitshinweisen verwendete Begriff "Elektrowerkzeug" bezieht sich auf netzbetriebene Elektrowerkzeuge (mit Netzkabel) und auf akkubetriebene Elektrowerkzeuge (ohne Netzkabel).

#### 1) ARBEITSPLATZSICHERHEIT

- Halten Sie Ihren Arbeitsbereich sauber und gut beleuchtet.** Unordnung oder unbeleuchtete Arbeitsbereiche können zu Unfällen führen.
- Arbeiten Sie mit dem Elektrowerkzeug nicht in explosionsgefährdeter Umgebung, in der sich brennbare Flüssigkeiten, Gase oder Stäube**



- befinden. Elektrowerkzeuge erzeugen Funken, die den Staub oder die Dämpfe entzünden können.
- c) **Halten Sie Kinder und andere Personen während der Benutzung des Elektrowerkzeuges fern.** Bei Ablenkung können Sie die Kontrolle über das Elektrowerkzeug verlieren.
- 2) **ELEKTRISCHE SICHERHEIT**
- a) **Der Anschlussstecker des Elektrowerkzeuges muss in die Steckdose passen. Der Stecker darf in keiner Weise verändert werden. Verwenden Sie keine Adapterstecker gemeinsam mit geschützten Elektrowerkzeugen.** Unveränderte Stecker und passende Steckdosen verringern das Risiko eines elektrischen Schlages.
- b) **Vermeiden Sie Körperkontakt mit geerdeten Oberflächen, wie von Rohren, Heizungen, Herden und Kühlschränken.** Es besteht ein erhöhtes Risiko durch elektrischen Schlag, wenn Ihr Körper geerdet ist.
- c) **Halten Sie das Elektrowerkzeug von Regen oder Nässe fern.** Das Eindringen von Wasser in ein Elektrogerät erhöht das Risiko eines elektrischen Schlages.
- d) **Zweckentfremden Sie das Kabel nicht, um das Elektrowerkzeug zu tragen, aufzuhängen oder um den Stecker aus der Steckdose zu ziehen. Halten Sie das Kabel fern von Hitze, Öl, scharfen Kanten oder sich bewegenden Elektrowerkzeugteilen.** Beschädigte oder verwickelte Kabel erhöhen das Risiko eines elektrischen Schlages.
- e) **Wenn Sie mit einem Elektrowerkzeug im Freien arbeiten, verwenden Sie nur Verlängerungskabel, die auch für den Außenbereich zugelassen sind.** Die Anwendung eines für den Außenbereich geeigneten Verlängerungskabels verringert das Risiko eines elektrischen Schlages.
- f) **Wenn der Betrieb des Elektrowerkzeuges in feuchter Umgebung nicht vermeidbar ist, verwenden Sie einen Fehlerstromschutzschalter.** Der Einsatz eines Fehlerstromschutzschalters vermindert das Risiko eines elektrischen Schlages.
- 3) **SICHERHEIT VON PERSONEN**
- a) **Seien Sie aufmerksam, achten Sie darauf, was Sie tun, und gehen Sie mit Vernunft an die Arbeit mit einem Elektrowerkzeug. Benutzen Sie das Elektrowerkzeug nicht, wenn Sie müde sind oder unter dem Einfluss von Drogen, Alkohol oder Medikamenten stehen.** Ein Moment der Unachtsamkeit beim Gebrauch des Elektrowerkzeuges kann zu ernsthaften Verletzungen führen.
- b) **Tragen Sie persönliche Schutzausrüstung und immer eine Schutzbrille.** Das Tragen persönlicher Schutzausrüstung, wie Staubmaske, rutschfeste Sicherheitsschuhe, Schutzhelm oder Gehörschutz, je nach Art und Einsatz des Elektrowerkzeuges, verringert das Risiko von Verletzungen.
- c) **Vermeiden Sie eine unbeabsichtigte Inbetriebnahme. Vergewissern Sie sich, dass das Elektrowerkzeug ausgeschaltet ist, bevor Sie es an die Stromversorgung und/oder den Akku anschließen, es aufnehmen oder tragen.** Wenn Sie beim Tragen des Elektrowerkzeuges den Finger am Schalter haben oder das Elektrowerkzeug eingeschaltet an die Stromversorgung anschließen, kann dies zu Unfällen führen.
- d) **Entfernen Sie Einstellwerkzeuge oder Schraubenschlüssel, bevor Sie das Elektrowerkzeug einschalten.** Ein Werkzeug oder Schlüssel, der sich in einem drehenden Elektrowerkzeugeteil befindet, kann zu Verletzungen führen.
- e) **Überschätzen Sie sich nicht. Sorgen Sie für einen sicheren Stand und halten Sie jederzeit das Gleichgewicht.** Dadurch können Sie das Elektrowerkzeug in unerwarteten Situationen besser kontrollieren.
- f) **Tragen Sie geeignete Kleidung. Tragen Sie keine weite Kleidung oder Schmuck. Halten Sie Haare und Kleidung fern von sich bewegenden Teilen.** Lockere Kleidung, Schmuck oder lange Haare können von sich bewegenden Teilen erfasst werden.
- g) **Wenn Staubabsaug- und -auffangeinrichtungen montiert werden können, vergewissern Sie sich, dass diese angeschlossen sind und richtig verwendet werden.** Verwendung einer Staubabsaugung verringert Gefährdungen durch Staub.
- h) **Wiegen Sie sich nicht in falscher Sicherheit und setzen Sie sich nicht über die Sicherheitsregeln für Elektrowerkzeuge hinweg, auch wenn Sie nach vielfachem Gebrauch mit dem Elektrowerkzeug vertraut sind.** Achtloses Handeln kann binnen Sekundenbruchteilen zu schweren Verletzungen führen.
- 4) **SORGFÄLTIGER UMGANG UND GEBRAUCH VON ELEKTROWERKZEUGEN**
- a) **Überlasten Sie das Elektrowerkzeug nicht. Verwenden Sie für Ihre Arbeit das dafür bestimmte Elektrowerkzeug.** Mit dem passenden Elektrowerkzeug arbeiten Sie besser und sicherer im angegebenen Leistungsbereich.
- b) **Benutzen Sie kein Elektrowerkzeug, dessen Schalter defekt ist.** Ein Elektrowerkzeug, das sich nicht mehr ein- oder ausschalten lässt, ist gefährlich und muss repariert werden.
- c) **Ziehen Sie den Stecker aus der Steckdose und/oder entfernen Sie einen abnehmbaren Akku, bevor Sie Geräteeinstellungen vornehmen, Zubehöreile wechseln oder das Elektrowerkzeug weglegen.** Diese Vorsichtsmaßnahme verhindert den unbeabsichtigten Start des Elektrowerkzeuges.
- d) **Bewahren Sie unbenutzte Elektrowerkzeuge außerhalb der Reichweite von Kindern auf. Lassen Sie Personen das Elektrowerkzeug nicht benutzen, die mit diesem nicht vertraut sind oder diese Anweisungen nicht gelesen haben.** Elektrowerkzeuge sind gefährlich, wenn Sie von unerfahrenen Personen benutzt werden.
- e) **Pflegen Sie Elektrowerkzeuge und Zubehör mit Sorgfalt. Kontrollieren Sie, ob bewegliche Elektrowerkzeugteile einwandfrei funktionieren und nicht klemmen, ob Teile gebrochen oder so beschädigt sind, dass die Funktion des Elektrowerkzeuges beeinträchtigt ist. Lassen Sie beschädigte Teile vor dem Einsatz des Elektrowerkzeuges reparieren.** Viele Unfälle haben ihre Ursache in schlecht gewarteten Elektrowerkzeugen.
- f) **Halten Sie Schneidwerkzeuge scharf und sauber.** Sorgfältig gepflegte Schneidwerkzeuge mit scharfen Schneidkanten verklemmen sich weniger und sind leichter zu führen.

- g) **Verwenden Sie Elektrowerkzeug, Zubehör, Einsatzwerkzeuge usw. entsprechend diesen Anweisungen. Berücksichtigen Sie dabei die Arbeitsbedingungen und die auszuführende Tätigkeit.** Der Gebrauch von Elektrowerkzeugen für andere als die vorgesehenen Anwendungen kann zu gefährlichen Situationen führen.
  - h) **Halten Sie Griffe und Griffflächen trocken, sauber und frei von Öl und Fett.** Rutschige Griffe und Griffflächen erlauben keine sichere Bedienung und Kontrolle des Elektrowerkzeuges in unvorhergesehenen Situationen.
- 5) **SERVICE**
- a) **Lassen Sie Ihr Elektrowerkzeug nur von qualifiziertem Fachpersonal und nur mit Original-Ersatzteilen reparieren.** Damit wird sichergestellt, dass die Sicherheit des Elektrowerkzeuges erhalten bleibt.

## SICHERHEITSHINWEISE FÜR MULTIFUNKTIONSWERKZEUG

### ALLGEMEINES

- Der Benutzer dieses Werkzeuges sollte älter als 16 Jahre sein
- Bei Benutzung von Verlängerungskabeln ist darauf zu achten, daß das Kabel vollständig abgerollt ist und eine Kapazität von 16 A hat
- Stets nachprüfen, daß die Netzspannung mit der auf dem Typenschild des Werkzeuges angegebenen Spannung übereinstimmt
- Beschädigungen durch Schrauben, Nägel und ähnliches an Ihrem Werkstück vermeiden; diese vor Arbeitsbeginn entfernen
- Staub von Materialien wie Farbe, die Blei enthält, einigen Holzarten, Mineralien und Metall kann schädlich sein (Kontakt mit oder Einatmen des Staubs kann zu allergischen Reaktionen und/oder Atemwegskrankheiten beim Bediener oder Umstehenden führen); **tragen Sie eine Staubmaske und arbeiten Sie mit einem Staubabsaugungssystem, wenn ein solches angeschlossen werden kann**
- Bestimmte Arten von Staub sind als karzinogen klassifiziert (beispielsweise Eichen- und Buchenholzstaub), insbesondere in Verbindung mit Zusätzen für die Holzvorbehandlung; **tragen Sie eine Staubmaske und arbeiten Sie mit einem Staubabsaugungssystem, wenn ein solches angeschlossen werden kann**
- Beachten Sie die für Ihr verwendetes Verbrauchsmaterial gültigen nationalen Staubschutzvorgaben
- **Verwenden Sie Klemmen oder andere praktische Vorrichtungen, um das Werkstück an einer stabilen Plattform zu sichern und zu befestigen** (wenn das Werkstück in der Hand oder gegen den Körper gehalten wird, ist es nicht stabil und man kann die Kontrolle verlieren)
- **Bearbeiten Sie kein asbesthaltiges Material** (Asbest gilt als krebserregend)
- **Ziehen Sie während Arbeitspausen, vor dem Reinigen, vor Einstellungsarbeiten und dem Austausch von Zubehör stets den Stecker aus der Steckdose, um das Werkzeug nicht versehentlich einzuschalten**

- Beim Arbeiten das Werkzeug immer mit beiden Händen festhalten und einen sicheren Stand einnehmen
- Das Kabel immer von umlaufenden Teilen des Werkzeuges fernhalten; das Kabel nach hinten vom Werkzeug weg führen
- **Verwenden Sie Schutzhandschuhe zum Austauschen von Zubehör** (Kontakt mit Zubehör kann zu Verletzungen führen)
- Bei elektrischer oder mechanischer Fehlfunktion das Werkzeug sofort ausschalten und den Netzstecker ziehen
- Wird bei der Arbeit das Kabel beschädigt oder durchtrennt, Kabel nicht berühren, sondern sofort den Netzstecker ziehen
- Das Gerät nie benutzen, wenn das Kabel beschädigt ist; es muss durch ein speziell gefertigtes Kabel ersetzt werden, das über eine autorisierten Kundendienststelle für SKIL-Elektrowerkzeuge erhältlich ist; Der Austausch muss von einer qualifizierten Fachkraft durchgeführt werden
- Sobald Sie sich von Ihrem Werkzeug entfernen, sollte dieses ausgeschaltet werden und die sich bewegenden Teile vollkommen zum Stillstand gekommen sein

### BEIM SÄGEN/TRENNEN

- **Halten Sie das Elektrowerkzeug an den isolierten Griffflächen, wenn Sie Arbeiten ausführen, bei denen das Einsatzwerkzeug verborgene Stromleitungen oder das eigene Netzkabel treffen kann** (der Kontakt mit einer spannungsführenden Leitung kann auch Metallteile des Elektrowerkzeuges unter Spannung setzen und zu einem elektrischen Schlag führen)
- **Hände vom Schnittbereich fern halten;** niemals während des Schneidens unter das Material greifen
- **Verwenden Sie geeignete Suchgeräte, um verborgene Versorgungsleitungen aufzuspüren, oder ziehen Sie die örtliche Versorgungsgesellschaft hinzu** (Kontakt mit Elektroleitungen kann zu Feuer und elektrischem Schlag führen; Beschädigung einer Gasleitung kann zur Explosion führen; Eindringen in eine Wasserleitung verursacht Sachbeschädigung oder kann einen elektrischen Schlag verursachen)
- Rissige oder stumpfe Sägeblätter, oder solche, die ihre Form verändert haben, dürfen nicht verwendet werden

### BEIM SCHLEIFEN

- **Verwenden Sie das Werkzeug nur zum Trockenschleifen** (das Eindringen von Flüssigkeiten erhöht das Risiko eines Stromschlags)
- Nicht mit dem laufenden Schleifpapier in Berührung kommen
- Verwenden Sie verschlissene, eingerissene oder stark zugesetzte Schleifpapiere nicht weiter
- Beim Schleifen von Metall entstehen Funken; verwenden Sie den Staubsauger nicht und halten Sie andere Personen sowie brennbare Materialien von Ihrem Arbeitsbereich fern

### ERKLÄRUNG DER SYMBOLE AUF DEM WERKZEUG

- ③ Dieses Werkzeug kann mit den meisten handelsüblichen Zubehörteilen für Multifunktionswerkzeuge verwendet werden, einschließlich OIS- und Starlock-Zubehör
- ④ Die Bedienungsanleitung vor dem Gebrauch lesen
- ⑤ Doppelte Isolierung (kein Erdleiter erforderlich)
- ⑥ Das Werkzeug nicht in den Hausmüll werfen

## BEDIENUNG

- Auswechseln des Zubehörs ⑦
  - ! **Netzstecker ziehen**
  - entfernen/montieren Sie das gewünschte Zubehör wie abgebildet
  - stellen Sie sicher, dass die Öffnungen des Zubehörs in die Zungen des Werkzeugkopfs greifen (jede Einrastposition möglich)
  - montieren Sie das Zubehör mit der vertieften Mitte nach unten
  - lösen/befestigen Sie die Schraube B mit einem Sechskantschlüssel A
  - **prüfen Sie den festen Sitz des Zubehörs** (falsch oder nicht sicher befestigtes Zubehör kann sich im Betrieb lösen und gefährlich werden)
- Schleifpapierbefestigung ⑧
  - VELCRO-Klettgewebe der Schleifplatte C vor Aufsetzen des Schleifpapiers ausklopfen
  - VELCRO-Schleifpapier D wie dargestellt befestigen
  - ! **für die Staubabsaugung brauchen Sie gelochtes Schleifpapier**
  - ! **die Löcher im Schleifpapier sollten mit denen der Schleifplatte übereinstimmen**
  - ! **abgenutztes Schleifpapier rechtzeitig erneuern**
  - ! **benutzen Sie das Werkzeug nur, wenn die gesamte VELCRO-Fläche mit Schleifpapier bedeckt ist**
- Staubabsaugung ⑨
  - ! **Netzstecker ziehen**
  - Staubabsaugvorrichtung E nur bei der Arbeit mit der Schleifplatte C verwenden
  - Staubabsaugvorrichtung E wie dargestellt montieren
  - Staubsauger anschließen
  - ! **Staubabsaugsystem/Staubsauger nicht beim Schleifen von Metall verwenden**
  - regelmäßige Entleerung des Staubabsaugsystems E sorgt für optimale Absaugung
- Ein-/Aus-Schalten
  - Werkzeug durch Drücken des Ein-/Aus-Schalters F ② in die Position "I"/"O" ein-/ausschalten
  - ! **bevor das Zubehör in das Werkstück eingeführt wird, muß erst Höchstgeschwindigkeit erreicht werden**
  - ! **vor dem Ausschalten des Werkzeuges sollte dieses vom Werkstück abgenommen werden**
- Einstellung der Arbeitsgeschwindigkeit ⑩
  - mit dem Rad G wird die gewünschte Schwinggeschwindigkeit von niedrig (1) bis hoch (6) eingestellt (auch wenn das Gerät läuft)
  - die optimale Arbeitsgeschwindigkeit hängt vom Material ab und kann durch praktische Versuche festgestellt werden
- LED-Lampe J ⑪
  - LED-Licht J leuchtet automatisch bei Betätigung des Schalters F
- Halten und Führen des Werkzeuges ⑫
  - ! **Werkzeug beim Arbeiten immer am grauen Griffbereich fassen**
  - Lüftungsschlitze H unbedeckt halten
  - nicht zu viel Druck auf das Werkzeug ausüben (zu hoher Druck führt zu verstärkter Hitzeentwicklung und verkürzt die Lebensdauer des Zubehörs)
- Tiefeneinstellungszubehör M (DEPTH STOP) (nicht standardmäßig enthalten) ⑬

## ANWENDUNGSHINWEISE

- Für optimale Ergebnisse bei verschiedenen Werkstoffen finden Sie in der Tabelle ⑭ Informationen zur Ermittlung des richtigen Zubehörs (**Zubehör nicht standardmäßig enthalten**)
- Für mehr Tips siehe [www.skil.com](http://www.skil.com)

## WARTUNG / SERVICE

- Dieses Werkzeug eignet sich nicht für den professionellen Einsatz
- Halten Sie Werkzeug und Kabel immer sauber (insbesondere die Lüftungsschlitze H ②)
- ! **Netzstecker vor dem Säubern ziehen**
- Sollte das Elektrowerkzeug trotz sorgfältiger Herstellungs- und Prüfverfahren einmal ausfallen, ist die Reparatur von einer autorisierten Kundendienststelle für SKIL-Elektrowerkzeuge ausführen zu lassen
  - das Werkzeug **unzerlegt**, zusammen mit dem Kaufbeleg, an den Lieferer oder die nächste SKIL-Vertragswerkstätte senden (die Anschriften so wie die Ersatzteilzeichnung des Werkzeuges finden Sie unter [www.skil.com](http://www.skil.com))
- Beachten Sie, dass ein falscher oder unsachgemäßer Gebrauch des Werkzeuges zum Erlöschen der Garantie führt (die SKIL-Garantiebedingungen finden Sie unter [www.skil.com](http://www.skil.com) oder fragen Sie Ihren Händler)

## UMWELT

- **Elektrowerkzeuge, Zubehör und Verpackungen nicht in den Hausmüll werfen** (nur für EU-Länder)
  - gemäss Europäischer Richtlinie 2012/19/EG über Elektro- und Elektronik- Altgeräte und Umsetzung in nationales Recht müssen nicht mehr gebrauchsfähige Elektrowerkzeuge getrennt gesammelt und einer umweltgerechten Wiederverwertung zugeführt werden
  - hieran soll Sie Symbol ⑥ erinnern

## GERÄUSCH / VIBRATION

- Gemessen nach EN 62841 beträgt der Schalldruckpegel dieses Werkzeuges 86,5 dB(A) und der Schalleistungspegel 97,5 dB(A) (Unsicherheit K = 3 dB), und die Schwingung \* (Triaxvektorsumme; Unsicherheit K = 1,5 m/s<sup>2</sup>)
- \* beim Schleifen 3.4 m/s<sup>2</sup>
- Die Vibrationsemissionsstufe wurde mit einem standardisierten Test gemäß EN 62841 gemessen; Sie kann verwendet werden, um ein Werkzeug mit einem anderen zu vergleichen und als vorläufige Beurteilung der Vibrationsexposition bei Verwendung des Werkzeuges für die angegebenen Anwendungszwecke
  - die Verwendung des Werkzeuges für andere Anwendungen oder mit anderem oder schlecht gewartetem Zubehör kann die Expositionsstufe erheblich **erhöhen**
  - Zeiten, zu denen das Werkzeug ausgeschaltet ist, oder wenn es läuft aber eigentlich nicht eingesetzt wird, können die Expositionsstufe erheblich **verringern**
- ! **schützen Sie sich vor den Auswirkungen der Vibration durch Wartung des Werkzeuges und des Zubehörs, halten Sie Ihre Hände warm und organisieren Sie Ihren Arbeitsablauf**

# Multifunctionele machine

1491

## INTRODUCTIE

- Deze machine is bedoeld voor het zagen en snijden van hout, kunststof, pleister, metaal en zachte muurtegels alsmede voor het droog schuren en afkrabben van kleine oppervlakken
- Deze is bij uitstek geschikt voor werkzaamheden langs opstaande en aansluitende randen
- Deze machine is niet bedoeld voor professioneel gebruik
- Deze machine kan worden gebruikt in combinatie met vrijwel alle algemeen verkrijgbare accessoires voor multifunctionele machines, inclusief bestaande OIS- en Starlock-accessoires ③
- Lees en bewaar deze gebruiksaanwijzing ④

## TECHNISCHE GEGEVENS ①

### MACHINE-ELEMENTEN ②

- A Zeskantsleutel
  - B Klemschroef met sluitring
  - C Schuurkussen
  - D Schuurpapier
  - E Stofopvangvoorziening
  - F Aan/uit schakelaar
  - G Toerental-instelwiel
  - H Ventilatie-openingen
  - J LED-lamp
  - K Segmentzaagblad \*
  - L Instekzaagblad
  - M Accessoire voor diepteafstelling \*
- \* NIET STANDAARD MEEGELEVERD

## VEILIGHEID

### ALGEMENE VEILIGHEIDSWAARSCHUWINGEN VOOR ELEKTRISCHE GEREEDSCHAPPEN

**⚠ WAARSCHUWING** Lees alle veiligheidswaarschuwingen, instructies, afbeeldingen en specificaties die met dit elektrische gereedschap zijn meegeleverd. Het niet volgen van alle hieronder genoemde instructies kan elektrische schokken, brand en/of ernstig letsel tot gevolg hebben.

### Bewaar alle waarschuwingen en voorschriften voor toekomstig gebruik.

Het in de waarschuwingen gebruikte begrip "elektrisch gereedschap" heeft betrekking op elektrische gereedschappen voor gebruik op het stroomnet (met netsnoer) en op elektrische gereedschappen voor gebruik met een accu (zonder netsnoer).

#### 1) VEILIGHEID VAN DE WERKOMGEVING

- a) **Houd uw werkomgeving schoon en opgeruimd.** Een rommelige of onverlichte werkomgeving kan tot ongevallen leiden.

- b) **Werk met het gereedschap niet in een omgeving met explosiegevaar waarin zich brandbare vloeistoffen, gassen of stof bevinden.** Elektrische gereedschappen veroorzaken vonken die het stof of de dampen tot ontsteking kunnen brengen.
- c) **Houd kinderen en andere personen tijdens het gebruik van het elektrische gereedschap uit de buurt.** Wanneer u wordt afgeleid, kunt u de controle over het gereedschap verliezen.
- 2) ELEKTRISCHE VEILIGHEID**
- a) **De aansluitstekker van het gereedschap moet in het stopcontact passen. De stekker mag in geen geval worden veranderd. Gebruik geen adapterstekkers in combinatie met geaarde gereedschappen.** Onveranderde stekkers en passende stopcontacten beperken het risico van een elektrische schok.
- b) **Voorkom aanraking van het lichaam met geaarde oppervlakken, bijvoorbeeld van buizen, verwarmingen, fornuizen en koelkasten.** Er bestaat een verhoogd risico door een elektrische schok wanneer uw lichaam geaard is.
- c) **Houd het gereedschap uit de buurt van regen en vocht.** Het binnendringen van water in het elektrische gereedschap vergroot het risico van een elektrische schok.
- d) **Gebruik de kabel niet voor een verkeerd doel, om het gereedschap te dragen of op te hangen of om de stekker uit het stopcontact te trekken. Houd de kabel uit de buurt van hitte, olie, scherpe randen en bewegende gereedschapsdelen.** Beschadigde of in de war geraakte kabels vergroten het risico van een elektrische schok.
- e) **Wanneer u buitenshuis met elektrisch gereedschap werkt, dient u alleen verlengkabels te gebruiken die voor gebruik buitenshuis zijn goedgekeurd.** Het gebruik van een voor gebruik buitenshuis geschikte verlengkabel beperkt het risico van een elektrische schok.
- f) **Als het gebruik van het elektrische gereedschap in een vochtige omgeving onvermijdelijk is, dient u een aardlekschakelaar te gebruiken.** Het gebruik van een aardlekschakelaar vermindert het risico van een elektrische schok.
- 3) PERSOONLIJKE VEILIGHEID**
- a) **Wees alert, let goed op wat u doet en ga met verstand te werk bij het gebruik van het elektrische gereedschap. Gebruik het gereedschap niet wanneer u moe bent of onder invloed staat van drugs, alcohol of medicijnen.** Een moment van onoplettendheid bij het gebruik van het gereedschap kan tot ernstige verwondingen leiden.
- b) **Draag persoonlijke beschermende uitrusting en altijd een veiligheidsbril.** Het dragen van persoonlijke beschermende uitrusting zoals een stofmasker, slipvast werkschoenen, een veiligheidshelm of gehoorbescherming, afhankelijk van de aard en het gebruik van het elektrische gereedschap, vermindert het risico van verwondingen.
- c) **Voorkom per ongeluk inschakelen. Controleer dat het elektrische gereedschap uitgeschakeld is voordat u de stekker in het stopcontact steekt of de accu aansluit en voordat u het gereedschap oppakt of draagt.** Wanneer u bij het dragen van het elektrische gereedschap uw vinger aan de schakelaar

- hebt of wanneer u het gereedschap ingeschakeld op de stroomvoorziening aansluit, kan dit tot ongevallen leiden.
- d) **Verwijder instelgereedschappen of schroefslutels voordat u het gereedschap inschakelt.** Een instelgereedschap of sleutel in een draaiend deel van het gereedschap kan tot verwondingen leiden.
- e) **Probeer niet ver te reiken. Zorg ervoor dat u stevig staat en steeds in evenwicht blijft.** Daardoor kunt u het gereedschap in onverwachte situaties beter onder controle houden.
- f) **Draag geschikte kleding. Draag geen loshangende kleding of sieraden. Houd haren en kleding uit de buurt van bewegende delen.** Loshangende kleding, sieraden en lange haren kunnen door bewegende delen worden meegenomen.
- g) **Wanneer stofzuigings- of stofopvangvoorzieningen kunnen worden gemonteerd, dient u zich ervan te verzekeren dat deze zijn aangesloten en juist worden gebruikt.** Het gebruik van een stofzuiging beperkt het gevaar door stof.
- h) **Ondanks het feit dat u eventueel heel goed vertrouwd bent met het gebruik van gereedschappen, moet u ervoor zorgen dat u niet nonchalant wordt en veiligheidsvoorschriften voor het gereedschap gaat negeren.** Een onoplettende handeling kan binnen een fractie van een seconde ernstig letsel veroorzaken.
- 4) GEBRUIK EN ONDERHOUD VAN ELEKTRISCHE GEREEDSCHAPPEN**
- a) **Overbelast het gereedschap niet. Gebruik voor uw werkzaamheden het daarvoor bestemde elektrische gereedschap.** Met het passende elektrische gereedschap werkt u beter en veiliger binnen het aangegeven capaciteitsbereik.
- b) **Gebruik geen elektrisch gereedschap waarvan de schakelaar defect is.** Elektrisch gereedschap dat niet meer kan worden in- of uitgeschakeld, is gevaarlijk en moet worden gerepareerd.
- c) **Trek de stekker uit het stopcontact en/of neem de accu (indien uitneembaar) uit het elektrische gereedschap voordat u het elektrische gereedschap instelt, accessoires wisselt of het elektrische gereedschap opbergt.** Deze voorzorgsmaatregel voorkomt onbedoeld starten van het elektrische gereedschap.
- d) **Bewaars niet-gebruikte elektrische gereedschappen buiten bereik van kinderen. Laat het gereedschap niet gebruiken door personen die er niet mee vertrouwd zijn en deze aanwijzingen niet hebben gelezen.** Elektrische gereedschappen zijn gevaarlijk wanneer deze door onervaren personen worden gebruikt.
- e) **Verzorg het gereedschap zorgvuldig. Controleer of bewegende delen van het gereedschap correct functioneren en niet vastklemmen en of onderdelen zodanig gebroken of beschadigd zijn dat de werking van het gereedschap nadelig wordt beïnvloed. Laat beschadigde delen repareren voordat u het gereedschap gebruikt.** Veel ongevallen hebben hun oorzaak in slecht onderhouden elektrische gereedschappen.
- f) **Houd snijdende inzetgereedschappen scherp en schoon.** Zorgvuldig onderhouden snijdende inzetgereedschappen met scherpe snijkanten klemmen minder snel vast en zijn gemakkelijker te geleiden.

- g) **Gebruik elektrische gereedschappen, toebehoren, inzetgereedschappen en dergelijke volgens deze aanwijzingen. Let daarbij op de arbeidsomstandigheden en de uit te voeren werkzaamheden.** Het gebruik van elektrische gereedschappen voor andere dan de voorziene toepassingen kan tot gevaarlijke situaties leiden.
- h) **Houd handgrepen en greepvlakken droog, schoon en vrij van olie en vet.** Gladde handgrepen en greepvlakken verhinderen dat het gereedschap in onverwachte situaties veilig kan worden gehanteerd en bediend.
- 5) SERVICE**
- a) **Laat het gereedschap alleen repareren door gekwalificeerd en vakkundig personeel en alleen met originele vervangingsonderdelen.** Daarmee wordt gewaarborgd dat de veiligheid van het gereedschap in stand blijft.

## VEILIGHEIDSLINSTRUCTIES VOOR MULTIFUNCTIONELE MACHINES

### ALGEMEEN

- Deze machine mag niet worden gebruikt door personen onder de 16 jaar
- Gebruik volledig uitgerolde en veilige verlengsnoeren met een capaciteit van 16 Ampère
- Controleer altijd of het voltage, dat vermeld staat op het typeplaatje van de machine, overeenkomt met de netspanning
- Voorkom schade, die kan ontstaan door schroeven, spijkers en andere voorwerpen in uw werkstuk; verwijder deze, voordat u aan een karwei begint
- Stof van materiaal zoals loodhoudende verf, sommige houtsoorten, mineralen en metaal kunnen schadelijk zijn (contact met of inademing van de stof kan allergische reacties en/of ademhalingsziekten bij gebruiker of omstanders veroorzaken); **draag een stofmasker en werk met een stofopvangvoorziening als die kan worden aangesloten**
- Bepaalde soorten stof zijn geclassificeerd als kankerverwekkend (zoals stof van eiken en beuken), met name in combinatie met toevoegingsmiddelen voor houtverzorging; **draag een stofmasker en werk met een stofopvangvoorziening als die kan worden aangesloten**
- Neem voor de door u te bewerken materialen de nationale voorschriften aangaande stofopvang in acht
- **Gebruik klemmen of pas een andere handige manier toe om het werkstuk vast te zetten en te ondersteunen op een stabiel platform** (bij het in de hand of tegen het lichaam houden van het werkstuk, kan de machine niet goed onder controle worden gehouden)
- **Bewerk geen asbesthoudend materiaal** (asbest geldt als kankerverwekkend)
- **Haal de stekker altijd uit het stopcontact tijdens werkonderbrekingen of voordat u de machine reinigt, onderhoud pleegt, instellingen verandert of accessoires verwisselt, om het risico van het per ongeluk starten van de machine te verkleinen**
- Houd de machine tijdens het werken altijd stevig met beide handen vast en zorg ervoor, dat u stevig staat
- Houd het snoer altijd verwijderd van de bewegende delen van uw machine; richt het snoer naar achteren, van de machine weg

- **Gebruik beschermende handschoenen bij het verwisselen van accessoires** (contact met het accessoire kan resulteren in letsel)
- In geval van elektrische of mechanische storing, de machine onmiddellijk uitschakelen en de stekker uit het stopcontact trekken
- Raak het snoer niet aan, als dit tijdens de werkzaamheden wordt beschadigd of doorgesneden, maar trek onmiddellijk de stekker uit het stopcontact
- Gebruik de machine nooit als het snoer is beschadigd; laat een gekwalificeerd persoon het snoer vervangen door een speciaal gemaakt snoer dat verkrijgbaar is via een erkende klantenservice voor SKIL elektrische gereedschappen
- Als u de machine wegzet moet de motor uitgeschakeld zijn en de bewegende delen tot stilstand zijn gekomen

#### TIJDENS ZAGEN/SNIJDEN

- **Houd het elektrische gereedschap aan de geïsoleerde greepvlakken vast als u werkzaamheden uitvoert waarbij het inzetgereedschap verborgen stroomleidingen of de eigen stroomkabel kan raken** (contact met een onder spanning staande leiding kan ook metalen delen van het elektrische gereedschap onder spanning zetten en tot een elektrische schok leiden)
- **Houd uw handen uit de buurt van het snijgebied**; ga in geen geval met uw handen onder het materiaal tijdens het snijden
- **Gebruik een geschikt detectieapparaat om verborgen stroom-, gas- of waterleidingen op te sporen of raadpleeg het plaatselijke energie- of waterleidingbedrijf** (contact met elektrische leidingen kan tot brand of een elektrische schok leiden; beschadiging van een gasleiding kan tot een explosie leiden; breuk van een waterleiding veroorzaakt materiële schade en kan tot een elektrische schok leiden)
- Gebruik geen beschadigd, vervormd of bot zaagblad

#### TIJDENS SCHUREN

- **Gebruik de machine uitsluitend voor droogschuren** (penetratie van water in de machine vergroot het risico van een elektrische schok)
- Kom niet in aanraking met het draaiend schuurpapier
- Gebruik versleten, gescheurd of ernstig beschadigd schuurpapier niet meer
- Bij het schuren van metaal ontstaan vonken; gebruik de stofzuiger niet en houd andere personen en brandbaar materiaal van het werkgebied weg

#### UITLEG VAN SYMBOLEN OP MACHINE

- ③ Deze machine kan worden gebruikt in combinatie met vrijwel alle algemeen verkrijgbare accessoires voor multifunctionele machines, inclusief bestaande OIS- en Starlock-basisaccessoires
- ④ Lees de gebruiksaanwijzing vóór gebruik
- ⑤ Dubbele isolatie (geen aarddraad nodig)
- ⑥ Geef de machine niet met het huisvuil mee

## GEBRUIK

- Verwisselen van accessoires ⑦  
**! trek de stekker uit het stopcontact**  
 - verwijder/monteer het vereiste accessoire zoals aangegeven in de afbeelding  
 - zorg dat de opening van het accessoire in de nokjes aan de voorkant van de machine past (mogelijk klikt deze in positie)

- monteer het accessoire met het ingedrukte middenstuk naar beneden gericht
- draai schroef B los/vast met zeskantsleutel A
- **controleer of het accessoire goed vast zit** (accessoires die onjuist of niet goed vast zitten, kunnen tijdens gebruik loskomen en een gevaar vormen)
- Bevestigen van schuurpapier ⑧  
 - Klop het stof uit het VELCRO-materiaal op schuurkussen C voorafgaand aan bevestiging van het schuurpapier  
 - breng VELCRO-schuurpapier D aan zoals afgebeeld  
**! ten behoeve van stofafzuiging altijd geperforeerd schuurpapier gebruiken**  
**! perforatie van het schuurpapier moet corresponderen met perforatie in de schuurvoet**  
**! vervang versleten schuurpapier tijdig**  
**! gebruik de machine alleen wanneer het gehele VELCRO-oppervlak met schuurpapier is bedekt**
- Stofafzuiging ⑨  
**! trek de stekker uit het stopcontact**  
 - gebruik stofopvangvoorziening E alleen bij gebruik van schuurkussen C  
 - monteer stofopvangvoorziening E zoals aangegeven in de afbeelding  
 - sluit stofzuiger aan  
**! gebruik de stofopvangvoorziening/stofzuiger niet bij het schuren van metaal**  
 - reinig stofopvangvoorziening E regelmatig voor optimale stofafzuiging
- Aan/uit  
 - Schakel de machine aan/uit door schakelaar F ② in stand "I"/"O" te zetten  
**! voordat het accessoire in aanraking komt met het werkstuk, moet uw machine op volle toeren draaien**  
**! voordat u de machine uitschakelt, dient u deze van het werkstuk op te lichten**
- Werksnelheid aanpassen ⑩  
 - met schijf G kan de gewenste oscillerende frequentie worden ingesteld van laag (1) tot hoog (6) (ook terwijl de machine wordt gebruikt)  
 - de optimale werksnelheid is afhankelijk van het materiaal en kan proefondervindelijk worden vastgesteld
- LED-lampje J ⑪  
 - LED-lamp J gaat automatisch branden bij het activeren van schakelaar F
- Vasthouden en leiden van de machine ⑫  
**! houd de machine tijdens het werk altijd vast bij het(de) grijs-gekleurde greepvlak(ken)**  
 - houd ventilatie-openingen H onbedekt  
 - oefen niet teveel druk uit op de machine (overmatige druk zal leiden tot overmatige hitte en kan de levensduur van het accessoire bekorten)
- Accessoire voor diepte-instelling M (DEPTH STOP) (wordt niet standaard meegeleverd) ⑬

## TOEPASSINGSADVIES

- Voor optimale resultaten op verschillende materialen tabel ⑭ gebruiken als referentie voor het bepalen van de juiste accessoire (**accessoires worden niet standaard meegeleverd**)
- Voor meer tips zie [www.skil.com](http://www.skil.com)

## ONDERHOUD / SERVICE

- Deze machine is niet bedoeld voor professioneel gebruik
- Houd machine en snoer altijd schoon (met name de ventilatie-openingen H ②)
- ! **trek de stekker uit het stopcontact vóór het reinigen**
- Mocht het elektrische gereedschap ondanks zorgvuldige fabricage- en testmethoden toch defect raken, dient de reparatie te worden uitgevoerd door een erkende klantenservice voor SKIL elektrische gereedschappen
  - stuur de machine **ongedemonteerd**, samen met het aankoopbewijs, naar het verkoopadres of het dichtstbijzijnde SKIL service-station (de adressen evenals de onderdeeltekeningen van de machine vindt u op [www.skil.com](http://www.skil.com))
- Denk erom, dat beschadigingen als gevolg van overbelasting of onjuist gebruik van de machine niet onder de garantie vallen (voor de garanti voorwaarden van SKIL zie [www.skil.com](http://www.skil.com) of raadpleeg uw dealer)

## MILIEU

- **Geef elektrisch gereedschap, accessoires en verpakkingen niet met het huisvuil mee** (alleen voor EU-landen)
  - volgens de Europese richtlijn 2012/19/EG inzake oude elektrische en elektronische apparaten en de toepassing daarvan binnen de nationale wetgeving, dient afgedankt elektrisch gereedschap gescheiden te worden ingezameld en te worden afgevoerd naar een recycle-bedrijf, dat voldoet aan de geldende milieu-eisen
  - symbool ⑥ zal u in het afdarkstadium hieraan herinneren

## GELUID / VIBRATIE

- Gemeten in navolging van EN 62841 is het geluidsdrukniveau van deze machine 86,5 dB(A) en het geluidsvermogensniveau 97,5 dB(A) (onzekerheid K = 3 dB), en de trilling \* (triax vector som; onzekerheid K = 1.5 m/s<sup>2</sup>)
    - \* bij het schuren 3.4 m/s<sup>2</sup>
  - Het trillingsemisniveau is gemeten in overeenstemming met een gestandaardiseerde test volgens EN 62841; deze mag worden gebruikt om twee machines met elkaar te vergelijken en als voorlopige beoordeling van de blootstelling aan trilling bij gebruik van de machine voor de vermelde toepassingen
    - gebruik van de machine voor andere toepassingen, of met andere of slecht onderhouden accessoires, kan het blootstellingsniveau aanzienlijk **verhogen**
    - wanneer de machine is uitgeschakeld of wanneer deze loopt maar geen werk verricht, kan dit het blootstellingsniveau aanzienlijk **reduceren**
- ! **bescherm uzelf tegen de gevolgen van trilling door de machine en de accessoires te onderhouden, uw handen warm te houden en uw werkwijze te organiseren**

S

## Multifunktionsverktuyg

1491

### INTRODUKTION

- Detta verktuyg är avsett för att sågning och kapning av trä, plast, gips, metaller och mjuka väggplattor samt för torr slipning och skrapning av mindre ytor
- Verktuyget är speciellt lämpligt för exakta arbeten nära kanter
- Det här verktuyget är inte avsedd för yrkesmässig användning
- Det här verktuyget kan användas tillsammans med de flesta vanliga multiverktuygstillbehör, inklusive befintliga OIS- och Starlock-tillbehör ③
- Läs och spara denna instruktionsbok ④

### TEKNISKA DATA ①

### VERKTUYGSELEMENT ②

- A Sexkantsnyckel
  - B Klåmskruv med bricka
  - C Slipskiva
  - D Slippapper
  - E Dammutsugningsenhet
  - F Till/från strömbrytare
  - G Hjul för varvtalsinställning
  - H Ventilationsöppningar
  - J Lysdiodlampa
  - K Segmentsågblad \*
  - L Instickssågblad
  - M Djupinställningstillbehör \*
- \* INGÅR EJ SOM STANDARD

## SÄKERHET

### ALLMÄNNA SÄKERHETSANVISNINGAR FÖR ELVERKTUYG

**⚠ VARNING Studera alla varningar, anvisningar, bilder och specifikationer gällande säkerhet som medföljer verktuyget.** Om anvisningarna inte följs kan det resultera i elektriska stötar, brand och/eller allvarliga personskador.

### Förvara alla varningar och anvisningar för framtida bruk.

Nedan använt begrepp "elverktuyg" hänför sig till nätdrivna elverktuyg (med nätsladd) och till batteridrivna elverktuyg (sladdlösa).

#### 1) ARBETSPLATSSÄKERHET

- a) **Håll arbetsplatsen ren och välbelyst.** Ordning på arbetsplatsen eller dåligt belyst arbetsområde kan leda till olyckor.
- b) **Använd inte elverktuyget i explosionsfarlig omgivning med brännbara vätskor, gaser eller damm.** Elverktuygen alstrar gnistor som kan antända dammet eller gaserna.
- c) **Håll under arbetet med elverktuyget barn och obehöriga personer på betryggande avstånd.** Om du störs av obehöriga personer kan du förlora kontrollen över elverktuyget.

## 2) ELEKTRISK SÄKERHET

- a) **Elverktygets stickpropp måste passa till vägguttaget. Stickproppen får absolut inte förändras. Använd inte adapterkontakter tillsammans med skyddsjordade elverktyg.** Oförändrade stickproppar och passande vägguttag reducerar risken för elektriskt slag.
- b) **Undvik kroppskontakt med jordade ytor som t. ex. rör, värmeelement, spisar och kylskåp.** Det finns en större risk för elektriskt slag om din kropp är jordad.
- c) **Skydda elverktyget mot regn och väta.** Tränger vatten in i ett elverktyg ökar risken för elektriskt slag.
- d) **Missbruka inte nätsladden och använd den inte för att bära eller hänga upp elverktyget och inte heller för att dra stickproppen ur vägguttaget. Håll nätsladden på avstånd från värme, olja, skarpa kanter och rörliga maskindelar.** Skadade eller tillrasslade ledningar ökar risken för elektriskt slag.
- e) **När du arbetar med ett elverktyg utomhus använd endast förlängningssladdar som är godkända för utomhusbruk.** Om en lämplig förlängningssladd för utomhusbruk används minskar risken för elektriskt slag.
- f) **Använd en jordfelsbrytare om det inte är möjligt att undvika elverktygets användning i fuktig miljö.** Genom att använda en jordfelsbrytare minskas risken för elstöt.

## 3) PERSONSÄKERHET

- a) **Var uppmärksam, kontrollera vad du gör och använd elverktyget med förnuft. Använd inte elverktyget när du är trött eller om du är påverkad av droger, alkohol eller mediciner.** Under användning av elverktyg kan även en kort uppmärksamhet leda till allvarliga kroppsskador.
- b) **Bär alltid personlig skyddsutrustning och skyddsglasögon.** Användning av personlig skyddsutrustning som t. ex. dammfiltermask, halkfria säkerhetsskor, skyddshjälm och hörselskydd reducerar alltefter elverktygets typ och användning risken för kroppsskada.
- c) **Undvik oavsiktlig igångsättning. Kontrollera att elverktyget är fränkopplat innan du ansluter stickproppen till vägguttaget och/eller anslutar bort batteriet, tar upp eller bär elverktyget.** Om du bär elverktyget med fingret på strömställaren eller ansluter påkopplat elverktyg till nätströmmen kan olycka uppstå.
- d) **Ta bort alla inställningsverktyg och skruvnycklar innan du kopplar på elverktyget.** Ett verktyg eller en nyckel i en roterande komponent kan medföra kroppsskada.
- e) **Överskatta inte din förmåga. Se till att du står stadigt och håller balansen.** I detta fall kan du lättare kontrollera elverktyget i oväntade situationer.
- f) **Bär lämpliga kläder. Bär inte löst hängande kläder eller smycken. Håll håret och kläderna på avstånd från de rörliga delarna.** Löst hängande kläder, smycken och långt hår kan dras in av roterande delar.
- g) **Vid elverktyg med dammsugnings- och -uppsamlingsutrustning kontrollera att anordningarna är rätt monterade och används på korrekt sätt.** Användning av dammsugning minskar de risker damm orsakar.

- h) **Låt inte vanan att ofta använda verktygen göra att du blir slarvig och ignorerar verktygets säkerhetsprinciper.** En vårdslös åtgärd kan leda till allvarlig personskada inom bråkdelen av en sekund.

## 4) OMSORGSFULL HANTERING OCH ANVÄNDNING AV ELVERKTYG

- a) **Överbelasta inte elverktyget. Använd för aktuellt arbete avsett elverktyg.** Med ett lämpligt elverktyg kan du arbeta bättre och säkrare inom angivet effektområde.
  - b) **Ett elverktyg med defekt strömställare får inte längre användas.** Ett elverktyg som inte kan kopplas in eller ur är farligt och måste repareras.
  - c) **Dra stickproppen ur vägguttaget och/eller ta bort batteriet, om det kan tas ut ur elverktyget, innan inställningar utförs, tillbehörsdelar byts ut eller elverktyget lagras.** Denna skyddsåtgärd förhindrar oavsiktlig inkoppling av elverktyget.
  - d) **Förvara elverktygen oåtkomliga för barn. Låt elverktyget inte användas av personer som inte är förtrogna med dess användning eller inte läst denna anvisning.** Elverktygen är farliga om de används av oerfarna personer.
  - e) **Underhåll elverktyg och tillbehör omsorgsfullt. Kontrollera att rörliga komponenter fungerar felfritt och inte kärvar, att komponenter inte brustit eller skadats; orsaker som kan leda till att elverktygets funktioner påverkas menligt. Låt skadade delar repareras innan elverktyget återanvänds.** Många olyckor orsakas av dåligt skötta elverktyg.
  - f) **Håll skärverktygen skarpa och rena.** Omsorgsfullt skötta skärverktyg med skarpa eggar kommer inte så lätt i kläm och går lättare att styra.
  - g) **Använd elverktyget, tillbehör, insatsverktyg osv. enligt dessa anvisningar. Ta hänsyn till arbetsvillkoren och arbetsmomenten.** Används elverktyget på icke ändamålsenligt sätt kan farliga situationer uppstå.
  - h) **Håll handtag och greppytor torra, rena och fria från olja och fett.** Hala handtag och greppytor ger ingen säker hantering och kontroll över verktyget i oväntade situationer.
- ## 5) SERVICE
- a) **Låt elverktyget repareras endast av kvalificerad fackpersonal och med originalreservdelar.** Detta garanterar att elverktygets säkerhet upprätthålls.

## SÄKERHETSANVISNINGAR FÖR MULTIFUNKTIONSVKTYG

### ALLMÄNT

- Den här maskinen ska inte användas av personer under 16 år
- Använd helt utrullade och säkra förlängningssladdar med kapacitet på 16 A
- Kontrollera alltid att den tillförda strömtypen stämmer med spänningen som anges på maskinens märkplåt
- Undvik skador genom att ta bort skruvar, spikar eller andra föremål ur arbetsstycket; ta dem bort innan du startar ett arbete
- Viss typ av damm, exempelvis färg som innehåller bly, vissa träsorter, mineraler och metaller kan vara hälsovådliga om de inhaleras (hudkontakt eller inandning) kan ge allergisk reaktion och/eller



luftvägsproblem/sjukdom hos personer i närheten);

**använd andningsskydd och arbeta med en dammuppsamlare om sådan anslutning finns**

- Vissa typer av damm är klassificerade så som carcinogena (t.ex. ek- och björkdamm) särskilt i kombination med tillsatser för träbehandling;
- **använd andningsskydd och arbeta med en dammuppsamlare om sådan anslutning finns**
- Följ de nationella krav, som finns angående damm, för de material du skall arbeta med
- **Använd klämmor eller något annat praktiskt sätt att säkra och stötta arbetsstycket mot en stabil plattform** (om du håller arbetsstycket i handen eller mot kroppen blir det instabilt, vilket kan leda till att du tappar kontrollen)
- **Asbesthaltigt material får inte bearbetas** (asbest anses vara cancerframkallande)
- **Drag alltid ur kontakten från vägguttaget vid arbetsraster eller innan rengöring, underhåll, justeringar och byte av tillbehör för att minska risken för att starta maskinen av misstag**
- Vid arbete håll alltid maskinen stadigt med båda händerna och se till att du står stadigt
- Håll alltid sladden på säkert avstånd från rörliga maskindelar; för sladden bakåt bort från maskinen
- **Använd skyddshandskar när du byter tillbehör** (kontakt med tillbehöret kan leda till skador)
- I händelse av onormala elektriska eller mekaniska störningar, stäng genast av maskinen och dra ur stickkontakten
- Skadas eller kapas nätsladden under arbetet, rör inte vid sladden utan dra genast ut stickkontakten
- Använd aldrig verktyget om sladden är skadad; den måste bytas ut mot en särskilt utformad sladd för SKIL-verktyg hos ett eftermarknadscenter och bytet ska utföras av en kvalificerad person
- När du ställer ifrån dig maskinen måste motorn vara frånslagen och de rörliga delarna ska ha stannat fullständigt

#### VID SÅGNING/KAPNING

- **Håll fast elverktyget vid de isolerade greppytorna när arbeten utförs på ställen där insatstillbehöret kan skada dolda elledningar eller egen nätsladd** (kontakt med en spänningsförande ledning kan sätta elverktygets metalldelar under spänning och leda till elstöt)
- **Håll händer undan från kapningsområdet**; undanhåll händer från materialets undersida vid kapning
- **Använd lämpliga detektorer för lokalisering av dolda försörjningsledning eller konsultera lokalt distributionsföretag** (kontakt med elledningar kan förorsaka brand och elstöt; en skadad gasledning kan leda till explosion; borrhing i vattenledning kan förorsaka saksador eller elstöt)
- Använd inte en trasig, deformationerad eller slö blad

#### VID SLIPNING

- **Använd endast verktyget för torrsandning** (inträngande av vatten i verktyget ökar risken för en elektrisk stöt)
- Berör inte roterande slippapper
- Förslitna, rivna eller kraftigt igensatta slippapper får ej användas
- Vid slipning av metall bildas gnistor; använd inte dammsugare och håll andra personer och antändbart material på avstånd från arbetsområdet

#### FÖRKLARING AV SYMBOLERNA PÅ VERKTYGET

- ③ Det här verktyget kan användas tillsammans med de flesta vanliga multiverktygstillbehör, inklusive befintliga OIS- och Starlock-bastillbehör
- ④ Läs bruksanvisningen före användning
- ⑤ Dubbel isolering (ingen jordning krävs)
- ⑥ Maskinen får inte kastas i hushållssoporna

#### ANVÄNDNING

- Byte av tillbehör ⑦
  - ! **drag ur stickkontakten**
  - ta bort/montera det erfordrade tillbehöret enligt bilden
  - kontrollera att tillbehörets öppningar hakar fast i verktygshuvudets tungor (alla låspositioner möjliga)
  - montera tillbehöret med den nedtryckta mittpunkten nedåt
  - lossa/drag åt skruven B med sexkantsnyckeln A
  - **kontrollera att tillbehöret sitter ordentligt** (felaktigt eller ej säkert monterade tillbehör kan lossna under användning och medföra fara)
- Montering av slippapper ⑧
  - knacka dammet från kardborrfästet på slipskivan C innan du fäster slippapperet
  - montera VELCRO-slippapperet D enligt bilden
  - ! **dammuppsamlingen kräver perforerat slippapper**
  - ! **perforering i slippapperet ska överensstämma med hålen i slippattan**
  - ! **byt slitna slippapper i tid**
  - ! **använd maskinen alltid med hela kardborrytan täckt med slippapper**
- Dammuppsugning ⑨
  - ! **drag ur stickkontakten**
  - använd endast dammuppsamlaren E vid arbete med slipskivan C
  - montera dammsugningsenheten E enligt bilden
  - anslut dammsugaren
  - ! **använd inte dammsugningsenheten/dammsugaren när du slipar metall**
  - för optimal dammsugning E ska dammpåsen tömmas regelbundet
- Till/från
  - Starta/stäng av maskinen genom att sätta omkopplaren F ② i läget "I"/"O"
  - ! **innan tillbehöret sätts till arbetsstycket skall maskinen ha uppnått full hastighet**
  - ! **maskinen skall tas bort från arbetsstycket innan den stängs av**
- Ställa in arbetshastigheten ⑩
  - med skivan G kan den erfordrade oscillerande frekvensen justeras från låg (1) till hög (6) (även när verktyget är igång)
  - bästa arbetshastighet är beroende på materialet och kan bäst avgöras genom att prova sig fram
- Lysdiodlampa J ⑪
  - Lysdiodlampan J tänds automatiskt när strömbrytaren F aktiveras
- Fattning och styrning av maskinen ⑫
  - ! **under arbetet, håll alltid verktyget i det grå greppet**
  - håll ventilationsöppningarna H ej övertäckta
  - använd inte för stort tryck på verktyget (høgt tryck genererar mer värme vilket förkortar livslängden på tillbehöret)

- Djupinställningstillbehör M (DEPTH STOP) (ingår inte som standard) <sup>13</sup>


## ANVÄNDNINGSTIPS

- För optimala resultat med olika material används tabell <sup>14</sup> som referens för att avgöra rätt tillbehör (**tillbehör medföljer inte som standard**)
- För fler tips se [www.skil.com](http://www.skil.com)

## UNDERHÅLL / SERVICE

- Det här verktyget är inte avsedd för yrkesmässig användning
- Håll alltid din maskin och sladden ren (speciellt ventilationsöppningarna H <sup>2</sup>)  
**! drag ur stickkontakten innan rengöring**
- Om i elverktyget trots exakt tillverkning och sträng kontroll störning skulle uppstå, bör reparation utföras av auktoriserad serviceverkstad för SKIL elverktyg
  - sänd in verktyget i **odemonterat skick** tillsammans med inköpsbevis till försäljaren eller till närmaste SKIL serviceverkstad (adresser till servicestationer och sprängskisser av maskiner finns på [www.skil.com](http://www.skil.com))
- Observera att skada till följd av ovarsamhet eller överbelastning inte täcks av garantin (för SKIL garantivillkor gå till [www.skil.com](http://www.skil.com) eller fråga återförsäljaren)

## MILJÖ

- **Elektriska verktyg, tillbehör och förpackning får inte kastas i hushållssoporna** (gäller endast EU-länder)
  - enligt direktivet 2012/19/EG som avser äldre elektrisk och elektronisk utrustning och dess tillämpning enligt nationell lagstiftning ska uttjänta elektriska verktyg sorteras separat och lämnas till miljövänlig återvinning
  - symbolen  kommer att påminna om detta när det är tid att kassera

## LJUD / VIBRATION

- Det här verktygets ljudtrycksnivå som mätts enligt EN 62841 är 86,5 dB(A), ljudeffektnivån är 97,5 dB(A) (osäkerhet K = 3 dB) och vibrationen \* (triax vektorsumma; osäkerhet K = 1,5 m/s<sup>2</sup>)  
**\* vid slipning 3,4 m/s<sup>2</sup>**
  - Vibrationsemissionsvärdet har uppmätts enligt ett standardiserat test i enlighet med EN 62841; detta värde kan användas för att jämföra vibrationen hos olika verktyg och som en ungefärlig uppskattning av hur stor vibration användaren utsätts för när verktyget används enligt det avsedda syftet
    - om verktyget används på ett annat än det avsedda syftet eller med fel eller dåligt underhållna tillbehör kan detta drastiskt **öka** vibrationsnivån
    - när verktyget stängs av eller är på men inte används, kan detta avsevärt **minska** vibrationsnivån
- ! skydda dig mot vibration genom att underhålla verktyget och dess tillbehör, hålla händerna varma och styra upp ditt arbetssätt**

DK

## Multifunktionsværktøj

1491

### INLEDNING

- Dette værktøj er beregnet til at save og skære i træ, plastik, puds, metal og bløde vægfliser såvel som tør slibning og skrabning af små flader
- Det er især egnet til kantnært og kantflugtende arbejde
- Dette værktøj er ikke beregnet til professionelt brug
- Dette værktøj accepterer det mest almindeligt tilgængelige multiværktøjstilbehør, herunder eksisterende OIS- og Starlock-tilbehør <sup>3</sup>
- Læs og gem denne betjeningsvejledning <sup>4</sup>

### TEKNISKE DATA <sup>1</sup>

### VÆRKTØJETS DELE <sup>2</sup>

- A Sekskantnøgle
  - B Spændeskruer med rensere
  - C Slibeklod
  - D Slibepapir
  - E Støvudsugningsanordning
  - F Tænd/sluk afbryder
  - G Hastighedsvalgshjul
  - H Ventilationshuller
  - J LED-lampe
  - K Segmentsavklinge \*
  - L Kortsikret savklinge
  - M Dybdejusteringstilbehør \*
- \* MEDFØLGER IKKE SOM STANDARD

### SIKKERHED

#### GENERELLE SIKKERHEDSINSTRUKSER FOR EL-VÆRKTØJ

 **ADVARSEL** Læs alle sikkerhedsadvarsler, instruktioner, illustrationer og specifikationer, der leveres med dette elektriske værktøj. Hvis alle instruktioner opført herunder ikke følges, kan det medføre elektrisk stød, brand og/eller alvorlige kvæstelser.

#### Gem alle advarsler og instruktioner til senere brug.

Begrebet "elværktøj" i advarselne refererer til elværktøj, der kører på lysnettet (med netkabel) samt batteridrevet værktøj (uden netkabel).

#### 1) SIKKERHED PÅ ARBEJDSPLADSEN

- a) **Sørg for, at arbejdsområdet er rent og ryddeligt.** Uorden eller uoplyste arbejdsområder øger faren for uheld.
- b) **Brug ikke elværktøjet i eksplosionstruede omgivelser, hvor der er brændbare væsker, gasser eller støv.** Elværktøj kan slå gnister, der kan antænde støv eller dampe.
- c) **Sørg for, at andre personer og ikke mindst børn holdes væk fra arbejdsområdet, når el-værktøjet er i brug.** Hvis man distraheres, kan man miste kontrollen over elværktøjet.

## 2) ELEKTRISK SIKKERHED

- a) **Elværktøjets stik skal passe til kontakten. Stikket må under ingen omstændigheder ændres. Brug ikke adapterstik sammen med jordforbundet elværktøj.** Uændrede stik, der passer til kontakterne, nedsætter risikoen for elektrisk stød.
- b) **Undgå kropskontakt med jordforbundne overflader som f.eks. rør, radiatorer, komfurer og køleskabe.** Hvis din krop er jordforbundet, øges risikoen for elektrisk stød.
- c) **Elværktøjet må ikke udsættes for regn eller fugt.** Indtrængning af vand i et elværktøj øger risikoen for elektrisk stød.
- d) **Brug ikke ledningen til formål, den ikke er beregnet til. Du må aldrig bære elværktøjet i ledningen, hænge elværktøjet op i ledningen eller rykke i ledningen for at trække stikket ud af kontakten. Beskyt ledningen mod varme, olie, skarpe kanter eller maskindele, der er i bevægelse.** Beskadigede eller udviklede ledninger øger risikoen for elektrisk stød.
- e) **Hvis elværktøjet benyttes i det fri, må der kun benyttes en forlængerledning, der er egnet til udendørs brug.** Brug af forlængerledning til udendørs brug nedsætter risikoen for elektrisk stød.
- f) **Hvis det ikke kan undgås at bruge elværktøjet i fugtige omgivelser, skal der bruges et HFI-relæ.** Brug af et HFI-relæ reducerer risikoen for at få elektrisk stød.

## 3) PERSONLIG SIKKERHED

- a) **Det er vigtigt at være opmærksom, se, hvad man laver, og bruge el-værktøjet fornuftigt. Brug ikke noget el-værktøj, hvis du er træt, har nydt alkohol eller er påvirket af medikamenter eller euforiserende stoffer.** Få sekunders uopmærksomhed ved brug af el-værktøjet kan føre til alvorlige personskader.
- b) **Brug beskyttelsesudstyr og hav altid beskyttelsesbriller på.** Brug af sikkerhedsudstyr som f.eks. støvmaske, skridsikert fodtøj, beskyttelseshjelm eller hørevarm afhængig af maskintype og anvendelse nedsætter risikoen for personskader.
- c) **Undgå utilsigtet igangsætning. Kontrollér, at el-værktøjet er slukket, før du tilslutter det til strømtilførslen og/eller akkuen, løfter eller bærer det.** Undgå at bære el-værktøjet med fingeren på afbryderen og sørg for, at el-værktøjet ikke er tændt, når det sluttes til nettet, da dette øger risikoen for personskader.
- d) **Gør det til en vane altid at fjerne indstillingsværktøj eller skruenøgle, før el-værktøjet tændes.** Hvis et stykke værktøj eller en nøgle sidder i en roterende maskindel, er der risiko for personskader.
- e) **Undgå en unormal legemsposition. Sørg for at stå sikkert, mens der arbejdes, og kom ikke ud af balance.** Dermed har du bedre muligheder for at kontrollere el-værktøjet, hvis der skulle opstå uventede situationer.
- f) **Brug egnet arbejdstøj. Undgå løse beklædningsgenstande eller smykker. Hold hår og tøj væk fra dele, der bevæger sig.** Dele, der er i bevægelse, kan gribe fat i løstsiddende tøj, smykker eller langt hår.
- g) **Hvis støvudsugnings- og opsamlingsudstyr kan monteres, er det vigtigt, at dette tilsluttes og benyttes korrekt.** Brug af en støvopsugning kan

reducere støvmængden og dermed den fare, der er forbundet støv.

- h) **Selvom du kender værktøjet godt og er vant til at bruge det, skal du alligevel være opmærksom og overholde sikkerhedsanvisningerne.** Et øjeblikvis uopmærksomhed kan medføre alvorlige personskader.
- ## 4) OMHYGGELOG OMGANG MED OG BRUG AF EL-VÆRKTØJ
- a) **Undgå overbelastning af el-værktøjet. Brug altid et el-værktøj, der er beregnet til det stykke arbejde, der skal udføres.** Med det passende el-værktøj arbejder man bedst og mest sikkert inden for det angivne effektområde.
  - b) **Brug ikke et el-værktøj, hvis afbryder er defekt.** Et el-værktøj, der ikke kan startes og stoppes, er farlig og skal repareres.
  - c) **Træk stikket ud af stikkontakten og/eller fjern akkuen, hvis den er aftagelig, før maskinen indstilles, før skift af tilbehørsdele eller før el-værktøjet lægges til opbevaring.** Disse sikkerhedsforanstaltninger forhindrer utilsigtet start af el-værktøjet.
  - d) **Opbevar ubenyttet el-værktøj uden for børns rækkevidde. Lad aldrig personer, der ikke er fortrolige med el-værktøjet eller ikke har gennemlæst disse instrukser, benytte el-værktøjet.** El-værktøj er farligt, hvis det benyttes af ukundige personer.
  - e) **Vedligehold el-værktøj og tilbehørsdele. Kontroller, om bevægelige maskindele fungerer korrekt og ikke sidder fast, og om delene er brækket eller beskadiget, således at el-værktøjets funktion påvirkes. Få beskadigede dele repareret, inden el-værktøjet tages i brug.** Mange uheld skyldes dårligt vedligeholdte el-værktøjer.
  - f) **Sørg for, at skæreværktøjer er skarpe og rene.** Omhyggeligt vedligeholdte skæreværktøjer med skarpe skærekanter sætter sig ikke så hurtigt fast og er nemmere at føre.
  - g) **Brug el-værktøj, tilbehør, indsatsværktøj osv. iht. disse instrukser. Tag hensyn til arbejdsforholdene og det arbejde, der skal udføres.** Anvendelse af el-værktøjet til formål, som ligger uden for det fastsatte anvendelsesområde, kan føre til farlige situationer.
  - h) **Hold håndtag og gribeblader tørre, rene og fri for olie og smørefedt.** Hvis håndtag og gribeblader er glatte, kan værktøjet ikke håndteres og styres sikkert, hvis der sker noget uventet.
- ## 5) SERVICE
- a) **Sørg for, at el-værktøj kun repareres af kvalificerede fagfolk og at der kun benyttes originale reservedele.** Dermed sikres størst mulig maskinsikkerhed.

## SIKKERHEDSINSTRUKTIONER FOR MULTIFUNKTIONSVÆRKTØJ

### GENERELT

- Dette værktøj må ikke bruges af personer under 16 år
- Anvend helt udrullede og sikre forlængerledninger med en kapacitet på 16 A
- Kontrollér altid at forsyningsspændingen er den samme som den spænding, der er anført på værktøjets navneskilt

- Undgå skader forårsaget af skruer, søm eller andre materialer i arbejdsstykket; fjern disse før De begynder at arbejde
- Støv fra materiale som f.eks. maling, der indeholder bly, nogle træsorter, mineraler og metal kan være skadeligt (kontakt med eller indånding af støvet kan forårsage allergiske reaktioner og/eller sygdomme i luftvejene hos den, der anvender værktøjet, eller hos omkringstående); **bær en støvmaske og arbejd med en støvudsugningsanordning, hvor en sådan kan slutes til**
- Visse slags støv er klassificeret som kræftfremkaldende (som f.eks. støv fra eg og bøg) især i forbindelse med tilsætningsstoffer til træbehandling; **bær en støvmaske og arbejd med en støvudsugningsanordning, hvor en sådan kan slutes til**
- Følg de nationale krav, hvad angår støv, for de materialer, du ønsker at arbejde med
- **Brug klemmer eller en anden praktisk måde til at fastgøre og støtte arbejdsemnet på en stabil platform** (hvis du holder arbejdsemnet i hånden eller mod kroppen, kan du miste kontrol over værktøjet)
- **Bearbejd ikke asbestholdigt materiale** (asbest er kræftfremkaldende)
- **Tag altid stikket ud af strømkilden under arbejds pauser eller før rengøring, vedligeholdelse, foretagelse af justeringer og udskiftning af tilbehør for at reducere risikoen for utilsigtet opstart af værktøjet**
- Ved arbejde hav altid et solidt greb på værktøjet med begge hænder og sørg for at stå sikkert
- Hold altid ledningen væk fra værktøjets bevægelige dele; før altid ledningen bagud, væk fra værktøjet
- **Brug beskyttelsehandsker, når du skifter tilbehør** (kontakt med tilbehøret kan føre til skader)
- I tilfælde af elektrisk eller mekanisk fejlfunktion skal afbryderen straks afbrydes og stikket tages ud af kontakten
- Hvis kablet beskadiges eller skæres over under arbejdet, ikke berør kablet, og straks træk ud stikket
- Brug aldrig værktøjet, hvis ledningen er beskadiget. Den skal udskiftes med en specifikt forberedt ledning, der kan fås gennem eftersalgsservicecenteret for elektriske SKIL-værktøjer, og udskiftningen skal udføres af en kvalificeret person
- Efter endt arbejde skal afbryderen afbrydes og alle bevægelige dele være stoppet før værktøjet sættes til side

## VED SAVNING/SKÆRING

- **Hold el-værktøjet i de isolerede gribeblader, når du udfører arbejde, hvor indsats tilbehøret kan ramme bøjede strømledninger eller elværktøjets eget kabel** (kontakt med en spændingsførende ledning kan også sætte elværktøjets metaldele under spænding, hvilket kan føre til elektrisk stød)
- **Hold hænderne borte fra skæreamrådet**; ræk aldrig af nogen som helst grund ned under materialet, mens der skæres
- **Anvend egnede søgeinstrumenter til at finde frem til skjulte forsyningsledninger eller kontakt det lokale forsynings selskab** (kontakt med elektriske ledninger kan føre til brand og elektrisk stød; beskadigelse af en gasledning kan føre til eksplosion; brud på et vandrør kan føre til materiel skade eller elektrisk stød)
- Brug aldrig savklinger der er sløve, skæve eller på anden måde beskadigede

## VED SLIBNING

- **Brug kun værktøjet til torslibning** (hvis der trænger vand ind i værktøjet øges risikoen for elektrisk stød)
- Undgå berøring med det løbende slibepapir
- Slidte, revnede eller hårdt angrebne slibepapir må ikke benyttes
- Ved slibning af metal, opstår gnister; brug ikke støvsuger og hold andre personer, såvel som brandbare materialer væk fra arbejdsstedet

## FORKLARING TIL SYMBOLERNE PÅ VÆRKTØJET

- ③ Dette værktøj kan anvendes med det mest almindeligt tilgængelige multiværktøjstilbehør, herunder eksisterende OIS- og Starlock-basistilbehør
- ④ Læs instruktionen inden brugen
- ⑤ Dobbelt isolering (jordforbindelse unødvendig)
- ⑥ Værktøj må ikke bortskaffes som almindeligt affald

## BETJENING

- Udveksling af tilbehør ⑦
  - ! **træk stikket ud af kontakten**
  - afmonter/monter det ønskede tilbehør som illustreret
  - kontrollér, at tilbehørets åbninger går ned i værktøjshovedets flige (enhver mulig fastlåsningsposition)
  - monter tilbehøret med den nedtrykte midte pegende nedad
  - løsn/stram skruen B med sekskantnøgle A
  - **kontroller, om tilbehøret er fastspændt korrekt** (ukorrekt tilbehør eller tilbehør, der ikke er fastspændt korrekt, kan løsne sig under betjening og udgøre en fare)
- Påsætning af slibepapir ⑧
  - bank støvet ud af VELCRO-materialet på slibeklodsens C, før slibepapiret monteres
  - monter VELCRO-slibepapiret D som vist på illustrationen
  - ! **støvopsugning kræver perforeret slibepapir**
  - ! **perforeringen i slibepapiret skal passe til perforeringen i sålen**
  - ! **skift slibepapiret i tide**
  - ! **anvend altid værktøjet med hele VELCRO-overfladen dækket med slibepapir**
- Støvopsugning ⑨
  - ! **træk stikket ud af kontakten**
  - benyt kun støvudsugningsanordningen E, når der arbejdes med slibeklods C
  - monter støvudsugningsanordningen E som illustreret
  - monter støvsugeren
  - ! **brug ikke støvudsugningsanordning/støvsuger når metal slibes**
  - rengør støvudsugningsanordningen E regelmæssigt for optimal støvsugning
- Tænd/sluk
  - Start/afbryd værktøjet ved at skubbe afbryderen F ② i "I"/"O" stilling
  - ! **lad værktøjet køre på fuld kraft før tilbehøret berører arbejdsemnet**
  - ! **før der slukkes for værktøjet, skal det løftes op fra arbejdsemnet**
- Justering af arbejds hastighed ⑩
  - med hjul G kan den krævede oscillerende frekvens justeres fra lav (1) til høj (6) (også mens værktøjet kører)

- den optimale hastighed afhænger af materialet og kan bestemmes ud fra praktiske forsøg
- LED-lys J (11)
- LED-lampen J tændes automatisk, når der trykkes på en knap F
- Håndtering og styring af værktøjet (12)
- ! **under arbejde, hold altid om værktøjet på de grå markerede grebsområde(r)**
- hold ventilationshullerne H utildækkede
- anvend ikke for meget tryk på værktøjet (for stort et pres vil forårsage for kraftig varme, og det kan forkorte tilbehørets levetid)
- Dybdejusteringstilbehør M (DEPTH STOP) (**medfølger ikke som standard**) (13)

## GODE RÅD

- For at opnå optimale resultater på forskellige materialer benyttes tabellen (14) som hjælp til at finde det rigtige tilbehør (**tilbehør ikke inkluderet som standard**)
- For flere tips se [www.skil.com](http://www.skil.com)

## VEDLIGEHOLDELSE/SERVICE

- Dette værktøj er ikke beregnet til professionel brug
- Hold værktøjet og ledningen ren (især ventilationshullerne H (2))
- ! **træk stikket ud for rensning**
- Skulle elværktøjet trods omhyggelig fabrikation og kontrol skulle holde op med at fungere, skal reparationen udføres af et autoriseret serviceværksted for SKIL-elektroværktøj
- send det **ikke adskilte** værktøj sammen med et købsbevis til forhandleren eller nærmeste SKIL-serviceværksted (adresser og reservedelstegning af værktøjet findes på [www.skil.com](http://www.skil.com))
- Husk, at beskadigelse som følge af overbelastning eller forkert håndtering af værktøjet ikke er omfattet af garantien (se [www.skil.com](http://www.skil.com) vedrørende SKIL-garantibetingelserne, eller spørg din forhandler)

## MILJØ

- **Elværktøj, tilbehør og emballage må ikke bortskaffes som almindeligt affald** (kun for EU-lande)
- i henhold til det europæiske direktiv 2012/19/EF om bortskaffelse af elektriske og elektroniske produkter og gældende national lovgivning, skal brugt elværktøj indsamles separat og bortskaffes på en måde, der skåner miljøet mest muligt
- symbolet (6) erindrer dig om dette, når udskiftning er nødvendig

## STØJ / VIBRATION

- Målt i henhold til EN 62841 er lydtryksniveauet for dette værktøj 86,5 dB(A) og lydeffektniveauet 97,5 dB(A) (usikkerhed K = 3 dB), og vibrationen \* (triax vector sum; usikkerhed K = 1.5 m/s<sup>2</sup>)
- \* ved pudsning 3.4 m/s<sup>2</sup>
- Vibrationsniveauet er målt i henhold til den standardiserede test som anført i EN 62841. Det kan benyttes til at sammenligne to stykker værktøj og som en foreløbig bedømmelse af udsættelsen for vibrationer, når værktøjet anvendes til de nævnte form
- anvendes værktøjet til andre formål eller med andet eller dårligt vedligeholdet tilbehør, kan dette **øge** udsættelsesniveauet betydeligt

- de tidsrum, hvor værktøjet er slukket, eller hvor det kører uden reelt at udføre noget arbejde, kan **reducere** udsættelsesniveauet betydeligt
- ! **beskyt dig selv imod virkningerne af vibrationer ved at vedligeholde værktøjet og dets tilbehør, ved at holde dine hænder varme og ved at organisere dine arbejdsmønstre**

N

## Flerfunktionsværktøj

1491

### INTRODUKSJON

- Dette værktøjet er beregnet på å sage og kutte tre, plast, gips og myke veggfliser så vel som for tørr sliping og skraping av mindre flater
- Det er spesielt egnet til arbeid kant i kant og i nærheten av kanter
- Dette værktøjet er ikke beregnet på profesjonell bruk
- Dette værktøjet tar de vanligste multi-verktøytillbehør, inkludert eksisterende OIS- og Starlock-tilbehør (3)
- Les og ta vare på denne brukerveiledningen (4)

### TEKNISKE DATA (1)

### VERKTØYELEMENTER (2)

- A Sekskantnøkkel
  - B Klemskrue med mutter
  - C Slipepute
  - D Pussepapir
  - E Støvfjerningsstytur
  - F Av/på bryter
  - G Hjul til hastighetsvalg
  - H Ventilasjonsåpninger
  - J LED-lys
  - K Segmentsagblad \*
  - L Spaltekutt-sagblad
  - M Dybdejusteringstilbehør \*
- \* IKKE INKLUDERT SOM STANDARD

## SIKKERHET

### GENERELLE ADVARSLER FOR ELEKTROVERKTØY

**⚠ ADVARSEL** Les alle sikkerhetsadvarsler, instruksjoner, illustrasjoner og spesifikasjoner som følger med dette elektroverktøyet. Hvis du unnlater å følge noen av instruksjonene som er listet opp ovenfor, kan det føre til elektrisk støt, brann og/eller alvorlige personskader.

### Ta godt vare på alle advarslene og informasjonene.

Det nedenstående anvendte uttrykket "elektroverktøy" gjelder for strøm-drevne (med ledning) og batteridrevne elektroverktøy (uten ledning).

#### 1) SIKKERHET PÅ ARBEIDSPLASSEN

- a) **Hold arbeidsområdet rent og ryddig.** Rotete arbeidsområder eller arbeidsområder uten lys kan føre til ulykker.
- b) **Ikke arbeid med elektroverktøyet i eksplosjonsfarlige atmosfærer – der det befinner**

seg brennbare væsker, gass eller støv. Elektroverktøy lager gnister som kan antenne støv eller damper.

- c) **Hold barn og andre personer unna når elektroverktøyet brukes.** Hvis du blir forstyrret under arbeidet, kan du miste kontrollen over elektroverktøyet.
- 2) **ELEKTRISK SIKKERHET**
  - a) **Støpselet til elektroverktøyet må passe inn i stikkkontakten. Støpselet må ikke forandres på noen som helst måte. Ikke bruk adapterstøpsler sammen med jordede maskiner.** Bruk av støpsler som ikke er forandret på og passende stikkontakter reduserer risikoen for elektriske støt.
  - b) **Unngå kroppskontakt med jordede overflater slik som rør, ovner, komfyrer og kjøleskap.** Det er større fare ved elektriske støt hvis kroppen din er jordet.
  - c) **Hold elektroverktøyet unna regn eller fuktighet.** Dersom det kommer vann i et elektroverktøy, øker risikoen for elektriske støt.
  - d) **Ikke bruk ledningen til andre formål, f.eks. til å bære elektroverktøyet, henge den opp eller trekke den ut av stikkkontakten. Hold ledningen unna varme, olje, skarpe kanter eller maskindeler som beveger seg.** Med skadede eller opphopede ledninger øker risikoen for elektriske støt.
  - e) **Når du arbeider utendørs med et elektroverktøy, må du kun bruke en skjøteledning som er godkjent til utendørs bruk.** Når du bruker en skjøteledning som er egnet for utendørs bruk, reduseres risikoen for elektriske støt.
  - f) **Hvis det ikke kan unngås å bruke elektroverktøyet i fuktige omgivelser, må du bruke en jordfeilbryter.** Bruk av en jordfeilbryter reduserer risikoen for elektriske støt.
- 3) **PERSONSIKKERHET**
  - a) **Vær oppmerksom, pass på hva du gjør, gå fornuftig frem når du arbeider med et elektroverktøy. Ikke bruk elektroverktøyet når du er trett eller er påvirket av narkotika, alkohol eller medikamenter.** Et øyeblikks uoppmerksomhet ved bruk av elektroverktøyet kan føre til alvorlige skader.
  - b) **Bruk personlig verneutstyr og husk alltid å bruke vernebriller.** Bruk av personlig sikkerhetsutstyr som støvmaske, sklifaste arbeidssko, hjelm eller hørselvern – avhengig av type og bruk av elektroverktøyet – reduserer risikoen for skader.
  - c) **Unngå å starte verktøyet ved en feiltagelse. Forviss deg om at elektroverktøyet er slått av før du kobler det til strømmen og/eller batteriet, løfter det opp eller bærer det.** Hvis du holder fingeren på bryteren når du bærer elektroverktøyet eller kobler elektroverktøyet til strømmen i innkoblet tilstand, kan dette føre til uhell.
  - d) **Fjern innstillingsverktøy eller skrunøkler før du slår på elektroverktøyet.** Et verktøy eller en nøkkel som befinner seg i en roterende maskindel, kan føre til skader.
  - e) **Ikke overvurder deg selv. Sørg for å stå stødig og i balanse.** Dermed kan du kontrollere elektroverktøyet bedre i uventede situasjoner.
  - f) **Bruk alltid egnede klær. Ikke bruk vide klær eller smykker. Hold hår og klær unna deler som beveger seg.** Løstsittende tøy, smykker eller langt hår kan komme inn i deler som beveger seg.
  - g) **Hvis det kan monteres støvavsug- og oppsamlingsinnretninger, må du forvise deg om at**

disse er tilkoblet og brukes på korrekt måte. Bruk av et støvavsug reduserer faren på grunn av støv.

- h) **Selv når du er blitt vant til verktøyet, må du ikke bli sløv og ignorere sikkerhetsreglene for verktøyet.** En uforsiktig handling kan forårsake alvorlig personskade i løpet av et brøkdels sekund.
- 4) **AKTSMO HÅNDTERING OG BRUK AV ELEKTROVERKTØY**
  - a) **Ikke overbelast elektroverktøyet. Bruk et elektroverktøy som er beregnet til den type arbeid du vil utføre.** Med et passende elektroverktøy arbeider du bedre og sikrere i det angitte effektområdet.
  - b) **Ikke bruk elektroverktøy med defekt på-/avbryter.** Et elektroverktøy som ikke lenger kan slås av eller på, er farlig og må repareres.
  - c) **Trekk støpselet ut av stikkkontakten og/eller fjern batteriet (hvis demonterbart) før du utfører innstillinger på elektroverktøyet, skifter tilbehørsdeler eller legger elektroverktøyet bort.** Disse tiltakene forhindrer en utilsiktet startung av elektroverktøyet.
  - d) **Elektroverktøy som ikke er i bruk må oppbevares utilgjengelig for barn. Ikke la elektroverktøyet brukes av personer som ikke er fortrolig med dette eller ikke har lest disse anvisningene.** Elektroverktøy er farlige når de brukes av uerfarne personer.
  - e) **Vær nøye med vedlikeholdet av elektroverktøyet og tilbehøret. Kontroller om bevegelige maskindeler fungerer feilfritt og ikke klemmes fast, og om deler er brukket eller skadet, slik at dette innvirker på elektroverktøyet funksjon. La skadede deler repareres før elektroverktøyet brukes.** Dårlig vedlikeholdte elektroverktøy er årsaken til mange uhell.
  - f) **Hold skjæreverktøyene skarpe og rene.** Godt stelte skjæreverktøy med skarpe skjærer setter seg ikke så ofte fast og er lettere å føre.
  - g) **Bruk elektroverktøy, tilbehør, verktøy osv. i henhold til disse anvisningene. Ta hensyn til arbeidsforholdene og arbeidet som skal utføres.** Bruk av elektroverktøy til andre formål enn det som er angitt kan føre til farlige situasjoner.
  - h) **Hold håndtak og gripeflater tørre, rene og uten olje eller fett.** Glatte håndtak og gripeflater hindrer sikker håndtering og styring av verktøyet i uventede situasjoner.
- 5) **SERVICE**
  - a) **Maskinen din skal alltid kun repareres av kvalifisert fagpersonale og kun med originale reservedeler.** Slik opprettholdes elektroverktøyet sikkerhet.

## SIKKERHETSINSTRUKSJONER FOR UNIVERSALVERKTØY

### GENERELL

- Verktøyet må ikke brukes av personer under 16 år
- Bruk helt utrullet og sikker skjøteledning med en kapasitet på 16 A
- Sjekk alltid at tilført spenningen er den samme som oppgitt på verktøyet merkeplate
- Unngå skade pga. skruer, spiker eller andre elementer i arbeidsstykket; fjernes for man starter jobben
- Støv fra materialer som blyholdig maling, visse tresorter, mineraler og metall kan være skadelig (kontakt med eller inhalering av støv kan gi allergiske reaksjoner og/

eller sykdommer i åndedretsorganene for brukeren eller personer i nærheten); **bruk støvmaske og arbeid med støvfjerningsutstyr når det er mulig**

- Visse typer støv er klassifisert som kreftfremkallende (som f.eks. støv fra eik og bøk), spesielt sammen med tilsetningsstoffer for trebehandling; **bruk støvmaske og arbeid med støvfjerningsutstyr når det er mulig**
- Følg de nasjonale krav, når det gjelder støv for de materialer du ønsker å arbeide med
- **Bruk klemmer eller andre praktiske måter å sikre og støtte arbeidsstykket til et stødig underlag** (å holde arbeidsstykket i hånden eller mot kroppen gjør det ustødig og kan føre til tap av kontroll)
- **Ikke bearbeid asbestholdig material** (asbest kan fremkalle kreft)
- **Trekk alltid ut støpselet fra strømkilden i pause fra arbeidet eller før rengjøring, vedlikehold, utføring av justeringer og bytte av tilbehør, for å redusere risikoen for å starte verktøyet utilsikket**
- Under arbeid hold alltid verktøyet fast med begge hender og pass på å stå stødig
- Hold alltid kablet borte fra bevegelige deler på verktøyet; før kablet bakover bort fra verktøyet
- **Bruk vernehansker når du skifter tilbehør** (kontakt med tilbehøret kan føre til skader)
- I tilfelle en elektrisk eller mekanisk svikt, skal verktøyet med en gang slås av og støpselet trekkes ut
- Hvis kablet skades eller kappes under arbeid må kablet ikke berøres, men støpselet straks trekkes ut
- Bruk aldri verktøyet hvis ledningen er skadet; ledningen må byttes ut av en spesiell tilberedt ledning tilgjengelig fra et servicesenter for SKIL-elektroverktøy og må utføres av en kvalifisert fagmann
- Når du setter bort verktøyet må bryteren slås av, bevegelige deler må være helt stoppet

#### NÅR DU SAGER/KUTTER

- **Hold elektroverktøyet på de isolerte gripeflatene, hvis du utfører arbeid der innsatstilbehøret kan treffe på skjulte strømledninger eller den egne strømledningen** (kontakt med en spenningsførende ledning kan også sette elektroverktøyet metalldele under spenning og føre til elektriske støt)
- **Hold hendene unna sagområdet**; du må aldri ha hendene under materialet når du kutter
- **Bruk egnede detektorer til å finne skjulte strøm-/gass-/vannledninger, eller spør hos det lokale el-/gass-/vannverket** (kontakt med elektriske ledninger kan medføre brann og elektrisk støt; skader på en gassledning kan føre til eksplosjon; inntrengning i en vannledning forårsaker materielle skader og kan medføre elektriske støt)
- Bruk aldri skjvert, deformert eller sløvt sagblad

#### NÅR DU PUSSET

- **Bruk verktøyet bare for tørrsliping** (når vannet trenges inn i verktøyet, økes risikoen for elektrisk støt)
- Ikke berør slipepapiret når det er igang
- Slitte, revnet eller tiltettet slipepapir må ikke brukes videre
- Ved sliping av metall vil det gnistre; bruk ikke støvsuger og hold andre personer og brennbart materiale unna arbeidsområdet

#### FORKLARING AV SYMBOLER PÅ VERKTØY

- ③ Dette verktøyet tar de vanligste multi-verktøytilbehør, inkludert eksisterende OIS and Starlock basic-tilbehør
- ④ Les instruksjonsboken for bruk
- ⑤ Dobbelisolert (ikke nødvendig med jordingsleder)
- ⑥ Kast aldri verktøy i husholdningsavfallet

## BRUK

- Bytting av tilbehør ⑦
  - ! **trekk ut støpselet av stikkkontakten**
  - fjern/monter det nødvendige tilbehøret som vist
  - pass på at åpningene i tilbehøret kobles inn i klaffene på verktøyhodet (alle klikk-inn-posisjoner mulig)
  - monter tilbehøret med midtpunktet som er trykt inn, vendt nedover
  - løsne/fest skruen B med sekskantnøkkelen A
  - **sjekk at tilbehøret sitter godt** (tilbehør som er feil eller ikke godt nok festet, kan løsne under bruk og føre til fare)
- Montering av slipepapir ⑧
  - bank støvet ut av BORRELÅS-materialet på slipeputen C før du monterer slipeputen
  - monter VELCRO (borrelås) slipepapir D som vist
  - ! **støvsuget krever perforert slipepapir**
  - ! **perforeringen i slipepapiret må passe til slipesålen**
  - ! **bytt brukte slipepapir i tide**
  - ! **bruk alltid verktøyet med hele BORRELÅS-flaten tildekket med slipepapir**
- Støvsugingsuging ⑨
  - ! **trekk ut støpselet av stikkkontakten**
  - bruk enheten for støvsug E bare når du jobber med slipeputen C
  - monter støvfjerningsutstyret E som vist
  - tilkople støvsugeren
  - ! **ikke bruk støvfjerningsutstyret/støvsugeren når du pusser metall**
  - rengjør støvfjerningsutstyret E med jevne mellomrom for optimal støvfjerning
- Av/på
  - Slå verktøyet på/av ved å skyve bryteren F ② i stilling "I"/"O"
  - ! **før tilbehøret kommer i kontakt med arbeidsstykket, må verktøyet ha nådd max. hastighet**
  - ! **før verktøyet slås av, løft det bort fra arbeidsstykket**
- Justere driftshastigheten ⑩
  - med hjul G kan den nødvendige svingningsfrekvensen justeres fra lavt (1) til høyt (6) (også når verktøyet er i drift)
  - den optimale arbeidshastigheten avhenger av materialet, og kan bestemmes gjennom praktiske forsøk
- LED-Lampe J ⑪
  - LED-lys J lys slås automatisk på ved aktivering av bryter F
- Grep og styring av verktøyet ⑫
  - ! **under arbeid, hold verktøyet alltid i grått (gråe) grepsområde(r)**
  - hold ventilasjonsåpningen H utildekket
  - ikke utsett verktøyet for for stort trykk (for stort trykk vil føre til sterk varme og kan gjøre levetiden kortere på tilbehøret)
- Dybdejusteringstilbehør M (DEPTH STOP) (ikke inkludert som standard) ⑬

## BRUKER TIPS

- For optimale resultater på forskjellige materialer bruk tabellen ⑭ som referanse for å avgjøre det riktige tilbehøret (**tilbehør følger ikke med**)
- Se flere tips på [www.skil.com](http://www.skil.com)

## VEDLIKEHOLD / SERVICE

- Dette verktøyet er ikke beregnet på profesjonell bruk
- Hold alltid verktøyet og kabelen ren (spesielt ventilasjonshullene H ②)
- ! **dra ut støpselet før rengjøring**
- Hvis elektroverktøyet til tross for omhyggelige produksjons- og kontrollmetoder en gang skulle svikte, må reparasjonen utføres av et autorisert serviceverksted for SKIL-elektroverktøy
  - send verktøyet i **montør** tilstand sammen med kjøpebevis til forhandleren eller nærmeste SKIL servicesenter (adresser liksom service diagram av verktøyet finner du på [www.skil.com](http://www.skil.com))
- Vær klar over at skade som skyldes overbelastning eller feilbehandling av verktøyet ikke dekkes av garantien (for SKIL garantibetingelser se [www.skil.com](http://www.skil.com) eller spør din forhandler)

## MILJØ

- **Kast aldri elektroverktøy, tilbehør og emballasje i husholdningsavfallet** (kun for EU-land)
  - i henhold til EU-direktiv 2012/19/EF om kasserte elektriske og elektroniske produkter og direktivets innsettning i nasjonal rett, må elektroverktøy som ikke lenger skal brukes, samles separat og returneres til et miljøvennlig gjenvinningsanlegg
  - symbolet ⑥ er påtrykt som en påminnelse når utskiftning er nødvendig

## STØY / VIBRASJON

- Målt i samsvar med EN 62841, lydtrykksnivået til dette verktøyet er 86,5 dB(A) og lydeffektnivået er 97,5 dB(A) (usikkerhet K = 3 dB) og vibrasjonen \* (triaks vektorsum usikkerhet K = 1,5 m/s<sup>2</sup>)
  - \* ved pussing 3,4 m/s<sup>2</sup>
- Vibrasjonsnivået er målt i samsvar med en standardisert test som er angitt i EN 62841; den kan brukes til å sammenligne et verktøy med et annet, og som et foreløpig overslag over eksponering for vibrasjoner ved bruk av verktøyet til de oppgavene som er nevnt
  - bruk av verktøyet til andre oppgaver, eller med annet eller mangelfullt vedlikeholdt utstyr, kan gi en vesentlig **økning** av eksponeringsnivået
  - tidsrommene når verktøyet er avslått eller når det går men ikke arbeider, kan gi en vesentlig **reduksjon** av eksponeringsnivået
- ! **beskytt deg selv mot virkningene av vibrasjoner ved å vedlikeholde verktøyet og utstyret, holde hendene varme og organisere arbeidsmåten din**

FIN

## Monitoimityökalu

1491

### ESITTELY

- Tämä työkalu on tarkoitettu puun, muovin, laastin, metallien ja pehmeiden seinä tiilien sahaamiseen ja leikkaamiseen sekä pienten pintojen kuivahiontaan ja kaavintaan
- Se soveltuu erityisesti töihin lähellä reunoja ja tasoa
- Tätä työkalua ei ole tarkoitettu ammattikäyttöön
- Tämä työkalu on yhteensopiva useimpien yleisesti saatavilla olevien monitoimityökaluille suunniteltujen lisävarusteiden kanssa, mukaan lukien nykyiset OIS- ja Starlock-lisävarusteet ③
- Lue ja säilytä tämä ohjekirja ④

### TEKNISET TIEDOT ①

### LAITTEEN OSAT ②

- A Kuusiokoloavain
  - B Kiristysruuvi aluslevyllä
  - C Hiomalaippa
  - D Hiomapaperi
  - E Pölynpoistolaite
  - F Virtakytin
  - G Nopeudensäätöpyörä
  - H Ilmanvaihto-aukot
  - J Ledivalo
  - K Segmenttisahanterä \*
  - L Pistosahanterä
  - M Syyvyssäätöläsäilaite \*
- \* EI SISÄLLY VAKIONA

## TURVALLISUUS

### YLEISET SÄHKÖTYÖKALUJEN TURVALLISUUTEEN LIITTYVÄT VAROITUKSET

**VAROITUS:** Pehedy kaikkiin tämän sähkötyökalun mukana toimitettuihin varoituksiin, ohjeisiin, kuviin ja teknisiin tietoihin. Jos kaikkia alla olevia ohjeita ei noudateta, seurauksena voi olla sähköisku, tulipalo ja/tai vakava loukkaantuminen.

### Säilytä kaikki turvallisuus- ja muut ohjeet tulevaisuutta varten.

Turvallisuusohjeissa käytetty käsite "sähkötyökalu" käsittää verkkokäyttöisiä sähkötyökaluja (verkkojohtolla) ja akkukäyttöisiä sähkötyökaluja (ilman verkkojohtoa).

#### 1) TYÖPAIKAN TURVALLISUUS

- a) **Pidä työskentelyalue puhtaana ja hyvin valaistuna.** Työpaikan epäjärjestys tai valaisemattomat työalueet voivat johtaa tapaturmiin.
- b) **Älä työskentele sähkötyökalulla räjähdysalttiissa ympäristössä, jossa on palavaa nestettä, kaasua tai pölyä.** Sähkötyökalu muodostaa kipinöitä, jotka saattavat sytyttää pölyn tai höyryä.
- c) **Pidä lapset ja sivulliset loitolla sähkötyökalua käyttäessäsi.** Voit menettää laitteesi hallinnan, huomiosi suuntautuessa muualle.



## 2) SÄHKÖTURVALLISUUS

- a) **Sähkötyökalun pistotulpan tulee sopia pistorasiaan. Pistotulppaa ei saa muuttaa millään tavalla. Älä käytä mitään pistorasia-adaptoreita maadoitettujen sähkötyökalujen kanssa.** Alkuperäisessä kunnossa olevat pistotulpat ja sopivat pistorasiat vähentävät sähköiskun vaaraa.
- b) **Vältä koskettamasta maadoitettuja pintoja, kuten putkia, pattereita, liesiä tai jääkaappeja.** Sähköiskun vaara kasvaa, jos kehosi on maadoitettu.
- c) **Älä aseta sähkötyökalua alttiiksi sateelle tai kosteudelle.** Veden tunkeutuminen sähkötyökalun sisään kasvattaa sähköiskun riskiä.
- d) **Älä käytä verkkojohtoa väärin. Älä käytä sitä sähkötyökalun kantamiseen, vetämiseen tai pistotulpan irrottamiseen pistorasiasta. Pidä johto loitolla kuumuudesta, öljystä, terävistä reunoista ja liikkuvista osista.** Vahingoittuneet tai sotkeutuneet johdot kasvattavat sähköiskun vaaraa.
- e) **Käyttäessäsi sähkötyökalua ulkona, käytä ainoastaan ulkoi käyttöön soveltuvaa jatkojohtoa.** Ulkoi käyttöön soveltuvan jatkojohdon käyttö pienentää sähköiskun vaaraa.
- f) **Jos sähkötyökalun käyttö kosteassa ympäristössä ei ole vältettävissä, tulee käyttää maavuotokatkaisijaa.** Maavuotokatkaisijan käyttö vähentää sähköiskun vaaraa.

## 3) HENKILÖTURVALLISUUS

- a) **Ole valpas, kiinnitä huomiota työskentelyysi ja noudata tervettä järkeä sähkötyökalua käyttäessäsi.** Älä käytä sähkötyökalua, jos olet väsynyt tai huumeiden, alkoholin tahi lääkkeiden vaikutuksen alaisena. Hetken tarkkaamattomuus sähkötyökalua käytettäessä, saattaa johtaa vakavaan loukkaantumiseen.
- b) **Käytä suojavarusteita. Käytä aina suojalaseja.** Henkilökohtaisen suojavarustuksen käyttö, kuten pölynaamarin, luistamattomien turvakien, suojakypärän tai kuulonsuojaimien, riippuen sähkötyökalun lajista ja käyttötavasta, vähentää loukkaantumisriskiä.
- c) **Vältä tahatonta käynnistämistä. Varmista, että sähkötyökalu on poiskytkettynä, ennen kuin liität sen sähköverkkoon ja/tai liität akun, otat sen käteen tai kannat sitä.** Jos kannat sähkötyökalua sormi käynnistyskytkimellä tai kytket sähkötyökalun pistotulpan pistorasiaan, käynnistyskytkimen ollessa käyntiasennossa, altistat itsesi onnettomuksille.
- d) **Poista kaikki säätötyökalut ja ruuvitalat, ennen kuin käynnistät sähkötyökalun.** Työkalu tai avain, joka sijaitsee laitteen pyörivässä osassa, saattaa johtaa loukkaantumiseen.
- e) **Älä yliarvioi itseäsi. Huolehdi aina tukevasta seisoma-asennosta ja tasapainosta.** Täten voit paremmin hallita sähkötyökalua odottamattomissa tilanteissa.
- f) **Käytä tarkoitukseen soveltuvia vaatteita. Älä käytä löysiä työvaatteita tai koruja. Pidä hiukset ja vaatteet poissa liikkuvien osien ulottuvilta.** Välijät vaatteet, korut ja pitkät hiukset voivat takertua liikkuviin osiin.
- g) **Jos pölynimu- ja keräilylaitteita voidaan asentaa, tulee sinun tarkistaa, että ne on liitetty ja että ne käytetään oikealla tavalla.** Pölynimulaitteiston käyttö vähentää pölyn aiheuttamia vaaroja.

- h) **Työskentele keskittyneesti ja noudata aina turvallisuusmääräyksiä.** Hetkellinenkin huolimattomuus voi aiheuttaa vakavia vammoja.
- ### 4) SÄHKÖTYÖKALUJEN KÄYTTÖ JA HOITO
- a) **Älä ylikuormita laitetta. Käytä kyseiseen työhön tarkoitettua sähkötyökalua.** Sopivaa sähkötyökalua käyttäen työskentelet paremmin ja varmemmin tehoalueella, jolle sähkötyökalu on tarkoitettu.
- b) **Älä käytä sähkötyökalua, jota ei voida käynnistää ja pysäyttää käynnistyskytkimestä.** Sähkötyökalu, jota ei enää voida käynnistää ja pysäyttää käynnistyskytkimellä, on vaarallinen ja se täytyy korjata.
- c) **Irrota pistotulppa pistorasiasta ja/tai irrota akku (jos irrotettava) sähkötyökalusta, ennen kuin suoritat säätöjä, vaihdat tarvikkeita tai viet sähkötyökalun varastoon.** Nämä turvatoimenpiteet pienentävät sähkötyökalun tahattoman käynnistysriskin.
- d) **Säilytä sähkötyökalut poissa lasten ulottuvilta, kun niitä ei käytetä. Älä anna sellaisten henkilöiden käyttää sähkötyökalua, jotka eivät tunne sitä tai jotka eivät ole lukeneet tätä käyttöohjetta.** Sähkötyökalut ovat vaarallisia, jos niitä käyttävät kokemattomat henkilöt.
- e) **Pidä sähkötyökalut ja tarvikkeet hyvässä kunnossa. Tarkista, että liikkuvat osat toimivat moitteettomasti, eivätkä ole puristuksessa sekä, että siinä ei ole murtuneita tai vahingoittuneita osia, jotka saattaisivat vaikuttaa haitallisesti sähkötyökalun toimintaan.** Anna korjauttaa mahdolliset viat ennen käyttöönottoa. Monen tapaturman syyt löytyvät huonosti huolletuista laitteista.
- f) **Pidä leikkausterävinä ja puhtaina.** Huolellisesti hoidetut leikkausterävyt, joiden leikkausreunat ovat teräviä, eivät tartu helposti kiinni ja niitä on helpompi hallita.
- g) **Käytä sähkötyökaluja, tarvikkeita, vaihtotyökaluja jne. näiden ohjeiden mukaisesti. Ota tällöin huomioon työolosuhteet ja suoritettava toimenpide.** Sähkötyökalun käyttö muuhun kuin sille määrättyyn käyttöön, saattaa johtaa vaarallisiin tilanteisiin.
- h) **Pidä kahvat ja kädensijat kuivina ja puhtaina (öljyiminä ja rasvatamina).** Jos kahvat ja kädensijat ovat liukkaita, et pysty yllättävissä tilanteissa ohjaamaan ja hallitsemaan työkalua turvallisesti.

## 5) HUOLTO

- a) **Anna koulutettujen ammattihenkilöiden korjata sähkötyökalusi ja hyväksy korjauksiin vain alkuperäisiä varaosia.** Täten varmistat, että sähkötyökalu säilyy turvallisena.

## TURVAOHJEET MONITOIMITYÖKALUILLE

### YLEISTÄ

- Tätä työkalua saavat käyttää vain 16 vuotta täyttäneet henkilöt
- Käytä täysin rullaamattomia ja turvallisia jatkejohtoja, joiden kapasiteetti on 16 ampeeria
- Tarkista aina, että syöttöjännite on sama kuin työkalun nimiltaan osoittama jännite
- Vältä vaaralliset vahingot, jotka voivat aiheutua nauloista, ruuveista tai muista aineista yöstettävässä materiaalissa; poista ne ennen työskentelyn aloittamista
- Materiaaleista, kuten lyijypitoinen maali, jotkut puulajit, mineraalit ja metalli, tuleva pöly voi olla

vahingollista (kosketuksiin joutuminen pölyn kanssa tai sen sisään hengittäminen voi aiheuttaa käyttäjälle tai sivustakatsojille allergiareaktioita ja/tai hengitysvaivoja); **käytä pölynaamaria ja työskentele pölynpoistolaitteen kanssa, kun sellainen on liitettävissä**

- Tietynyttyypiset pölyt on luokiteltu karsinogeenisiksi (kuten tammi- ja pyökkipöly) erityisesti puun käsittelyyn käytettävien lisäaineiden yhteydessä; **käytä pölynaamaria ja työskentele pölynpoistolaitteen kanssa, kun sellainen on liitettävissä**
- Noudata maakohtaisia pölyyn liittyviä sääntöjä
- **Tue työstettävä kappale tukevaan tasoon puristimilla tai muulla käytännöllisellä tavalla** (kappaleen pitäminen käsin tai kehoa vasten on epävakaa ja voi aiheuttaa hallinnan menetyksen)
- **Älä koskaan työstä asbestipitoista ainetta** (asbestia pidetään karsinogeenisena)
- **Irrota aina pistoke virtalähteestä taukojen ajaksi ja ennen puhdistusta, huoltoa, säätämistä tai varusteiden vaihtoa pienentääksesi työkalun tahattoman käynnistytksen riskiä**
- Pidä käytössä laitteesta tukevasti kiinni molemmilla käsillä ja asetaudu tukevaan asentoon
- Pidä johto aina poissa työkalun liikkuvien osien läheisyydestä; kohdista johto takaosa kohti pois työkalusta
- **Käytä suojakäsineitä varusteita vaihtaessasi** (varusteeseen koskettamisesta voi seurata loukkaantumisia)
- Jos huomaat sähköisen tai mekaanisen vian, sammuta kone heti ja irrota liitosjohto pistorasiasta
- Jos sähköjohto vahingoittuu tai katkeaa työn aikana ei johtoa saa koskettaa, vaan pistotulppa on välittömästi irrotettava pistorasiasta
- Älä käytä työkalua, jonka johto on voittunut; johto on vaihdettava erikoisvalmisteiseen johtoon, jonka voi hankkia SKIL-huoltokeskuksesta, ja vaihtotyö on teetettävä pätevällä henkilöllä
- Kun panet koneen pois, sammuta moottori ja varmista, että kaikki liikkuvat osat ovat pysähtyneet

#### KUN SAHAAT/LEIKKAAT

- **Tartu sähkötyökaluun ainoastaan eristetyistä pinnoista, tehdessäsi työtä, jossa vaihtotyökalu saattaisi osua pilossa olevaan sähköjohtoon tai sähkötyökalun omaan sähköjohtoon** (kosketus jännitteeseen johtoon voi saattaa sähkötyökalun metalliosat jännitteisiksi ja johtaa sähköiskuun)
- **Pidä kädet poissa leikkuualueelta**; älä koskaan kurkota leikkattaessa mistään syystä materiaalin alapuolelle
- **Käytä sopivia etsintälaitteita pilossa olevien syöttöjohtojen paikallistamiseksi, tai käännä paikallisen jakelu-yhtiön puoleen** (kosketus sähköjohtoon saattaa johtaa tulipaloon ja sähköiskuun; kaasuputken vahingoittaminen saattaa johtaa räjähdykseen; vesijohtoon tunkeutuminen aiheuttaa aineellista vahinkoa tai saattaa johtaa sähköiskuun)
- Älä käytä rikkinäistä, tylsää tai vääntynyttä sahanterää

#### KUN HIOT

- **Käytä työkalua vain kuivahiontaan** (veden pääsy työkalun sisään kasvattaa sähköiskuriskiä)
- Älä kosketa liikkuvaa hiomapaperiin
- Älä jatka kuluneiden, repeytyneiden tai voimakkaasti tukkeutuneiden paperin käyttämistä
- Metallia hiottaessa syntyy kipinöitä; älä käytä polynimuria

ja huolehdi siitä, ettei lähellä ole muita henkilöitä eikä tulenarkoja materiaaleja

#### TYÖKALUN SYMBOLIEN SELITYKSET

- ③ Tämä työkalu on yhteensopiva useimpien yleisesti saatavilla olevien monitoimityökaluille suunniteltujen lisävarusteiden kanssa, mukaan lukien nykyiset OIS- ja Starlock-peruslisävarusteet
- ④ Lue käyttöohjeet ennen käyttöä
- ⑤ Kaksoiseristys (ei tarvita maajohtoa)
- ⑥ Älä hävitä konettasi tavallisen kotitalousjätteen mukana

#### KÄYTTÖ

- Tarvikkeiden vaihtaminen ⑦
  - ! **vedä pistoke pistorasiasta**
  - irrota/asenna tarvittava lisävaruste kuten kuvassa
  - varmista, että lisävarusteen aukot kiinnittyvät työkalun päässä oleviin kohoumiin (ne voi kiinnittää mihin asentoon tahansa)
  - kiinnitä lisävaruste siten, että alas painettu keskikohta osoittaa alaspäin
  - kierrä ruuvi auki/kiinni B kuusiokoloavaimella A
  - **varmista, että lisävaruste on tiukasti paikallaan** (väärin tai puutteellisesti kiinnitetty lisävarusteet voivat löystyä käytön aikana ja aiheuttaa vaaratilanteen)
- Hiomapaperin kiinnittäminen ⑧
  - kopauta pöly pois hiomalaiipan tarraosasta C ennen hiomapaperin asentamista
  - kiinnitä VELCRO-hiomapaperi D kuvatulla tavalla
  - ! **pölynimu vaatii rei'itetyn hiomapaperin käyttöä**
  - ! **hiomapaperin rei'ityksen tulee vastata hiomatason rei'itystä**
  - ! **vaihda hiomapaperi uuteen ajoissa**
  - ! **käytä työkalua aina niin, että koko tarra- ja pölypöytä on peitetty hiomapaperilla**
- Pölynimu ⑨
  - ! **vedä pistoke pistorasiasta**
  - käytä pölynpoistolaitetta E vain työskennellessäsi hiomalaijalla C
  - asenna pölynpoistolaitte E kuten kuvassa
  - liitä pölynimuri
  - ! **älä käytä pölynpoistolaitetta/pölynimuria metallihionnassa**
  - puhdista pölynpoistolaitte E ajoissa parhaan mahdollisen imun saavuttamiseksi
- Käynnistys/pysäytys
  - Käynnistä tai sammuta kone painamalla kytkin F ② asentoon "I"/"O"
  - ! **koneen tulee pyöriä täydellä nopeudella ennen kuin tarvike koskettaa työkaluun**
  - ! **ennen koneen sammuttamista se tulee nostaa irti työkaluun**
- Työskentelynopeuden säätäminen ⑩
  - käytettäessä laikkaa G tarvittavan värähtelytaajuuden voi säätää pienestä (1) suureen (6) (myös työkalun ollessa käynnissä)
  - paras työskentelynopeus riippuu materiaalista ja se voidaan määrittää käytännön kokeilla
- Ledivalo J ⑪
  - LED-valo J syttyy automaattisesti, kun kytkin aktivoidaan F
- Koneen pitäminen ja ohjaaminen ⑫
  - ! **pidä työkalusta kiinni aina työskentelyn aikana harmaan värisestä kädensija(o)ista**
  - pidä ilmanvaihto-aukkoja H peittämättöminä

- älä kohdista työkaluun liikaa painetta (liiallinen paine aiheuttaa liiallista kuumenemistä ja voi lyhentää lisävarusteen käyttöikää)
- Syvyysäättölisälaite M (DEPTH STOP) (ei sisälly toimitukseen) ⑬

## VINKKEJÄ

- Jotta eri materiaaleilla saavutettaisiin optimaaliset tulokset, käytä taulukkoa ⑭ apuna määrittäessäsi sopivaa lisävarustetta (**lisävarusteita, jotka eivät kuulu vakiovarustukseen**)
- Lisävinkkejä on tarjolla web-osoitteessa [www.skil.com](http://www.skil.com)

## HOITO / HUOLTO

- Tätä työkalua ei ole tarkoitettu ammattikäyttöön
- Pidä työkalu ja johto puhtaina (varmista erityisesti ilma-aukkojen puhtaus H ②)  
! irrota liitosjohto aina puhdistuksen ajaksi pistoraslasta
- Jos sähkötyökalussa, huolellisesta valmistuksesta ja koestusmenettelystä huolimatta esiintyy vikaa, tulee korjaus antaa SKIL sopimushuollon tehtäväksi
  - toimita työkalu sitä osiin **purkamatta** lähimpään SKIL-huoltoon (osoitteet ja työkalun huoltokaava ovat tarjolla web-osoitteessa [www.skil.com](http://www.skil.com)) ostotodiste mukaan liitettynä
- Ota huomioon, että takuu ei kata työkalun ylikuorimituksesta tai väärástá käsittelystä johtuvia vahinkoja (katso SKILin takuehdot osoitteesta [www.skil.com](http://www.skil.com) tai kysy jälleenmyyjältä)

## YMPÄRISTÖSUOJELU

- **Älä hävitä sähkötyökalua, tarvikkeita tai pakkausta tavallisen kotitalousjätteen mukana** (koskee vain EU-maita)
  - vanhoja sähkö- ja elektroniikkalaitteita koskevan EU-direktiivin 2012/19/ETY ja sen maakohtaisten sovellusten mukaisesti käytetyt sähkötyökalut on toimitettava ongelmajätteen keräyspisteeseen ja ohjattava ympäristöstä välttävään kierrätykseen
  - symboli ⑥ muistuttaa tästä, kun käytöstä poisto tulee ajankohtaiseksi

## MELU / TÄRINÄ

- Tämän työkalun standardin EN 62841 mukaisesti mitattu äänenpainotaso on 86,5 dB(A) ja äänenvoimakkuus 97,5 dB(A) (epävarmuus K = 3 dB), ja tärinä \* (triakvektorisumma, epävarmuus K = 1.5 m/s<sup>2</sup>)  
\* hionnassa 3.4 m/s<sup>2</sup>
- Tärinäsaiteilytaso on mitattu standardin EN 62841 mukaisen standarditestin mukaisesti; sitä voidaan käyttää verrattaessa yhtä laitetta toiseen sekä alustavana tärinälle altistumisen arviona käytettäessä laitetta mantuissa käyttötarkoituksissa
  - laitteen käyttö eri käyttötarkoituksiin tai erilaisten tai huonosti ylläpidettyjen lisälaitteiden kanssa voi **lisätä** merkittävästi altistumistasoa
  - laitteen ollessa sammuksissa tai kun se on käynnissä, mutta sillä ei tehdä työtä, altistumistaso voi olla huomattavasti **pienempi**
- ! suojautu tärinän vaikutuksilta ylläpitämällä laite ja sen lisävarusteet, pitämällä kädet lämpiminä ja järjestämällä työmenetelmät

E

## Herramienta multiuso

1491

## INTRODUCCIÓN

- Esta herramienta está concebida para serrar y cortar madera, plástico, escayola, metales y azulejos blandos, así como para lijar y raspar en seco pequeñas superficies
- Es especialmente apropiada para realizar trabajos cerca de bordes y para enrasar
- Esta herramienta no está concebida para uso profesional
- Esta herramienta acepta los accesorios para herramientas multiuso más comunes, incluyendo los accesorios OIS y Starlock existentes ③
- Lea y conserve este manual de instrucciones ④

## DATOS TÉCNICOS ①

## ELEMENTOS DE LA HERRAMIENTA ②

- A Llave hexagonal
  - B Tornillo de sujeción con arandela
  - C Plataforma de lijado
  - D Hoja de lija
  - E Dispositivo de extracción de polvo
  - F Interruptor de activación/desactivación
  - G Rueda de selección de velocidad
  - H Ranuras de ventilación
  - J Luz LED
  - K Hoja de sierra de segmento circular \*
  - L Hoja de sierra de penetración
  - M Accesorio de ajuste de profundidad \*
- \* NO INCLUIDO/A DE SERIE

## SEGURIDAD

### ADVERTENCIAS DE PELIGRO GENERALES PARA HERRAMIENTAS ELÉCTRICAS

**⚠ ADVERTENCIA** Lea todas las advertencias de seguridad, instrucciones, ilustraciones y especificaciones entregadas con esta herramienta eléctrica. El incumplimiento de alguna de las instrucciones que figuran a continuación puede ser causa de descargas eléctricas, incendios o lesiones graves.

### Guardar todas las advertencias de peligro e instrucciones para futuras consultas.

El término "herramienta eléctrica" empleado en las siguientes advertencias de peligro se refiere a herramientas eléctricas de conexión a la red (con cable de red) y a herramientas eléctricas accionadas por acumulador (o sea, sin cable de red).

### 1) SEGURIDAD DEL PUESTO DE TRABAJO

- a) **Mantenga limpia y bien iluminada su área de trabajo.** El desorden o una iluminación deficiente en las áreas de trabajo pueden provocar accidentes.
- b) **No utilice la herramienta eléctrica en un entorno con peligro de explosión, en el que se encuentren**

### **combustibles líquidos, gases o material en polvo.**

Las herramientas eléctricas producen chispas que pueden llegar a inflamar los materiales en polvo o vapores.

- c) **Mantenga alejados a los niños y otras personas de su área de trabajo al emplear la herramienta eléctrica.** Una distracción le puede hacer perder el control sobre la herramienta.
- 2) **SEGURIDAD ELÉCTRICA**
  - a) **El enchufe de la herramienta eléctrica debe corresponder a la toma de corriente utilizada. No es admisible modificar el enchufe en forma alguna. No emplear adaptadores en herramientas eléctricas dotadas con una toma de tierra.** Los enchufes sin modificar adecuados a las respectivas tomas de corriente reducen el riesgo de una descarga eléctrica.
  - b) **Evite que su cuerpo toque partes conectadas a tierra como tuberías, radiadores, cocinas y refrigeradores.** El riesgo a quedar expuesto a una descarga eléctrica es mayor si su cuerpo tiene contacto con tomas de tierra.
  - c) **No exponga las herramientas eléctricas a la lluvia o a condiciones de humedad.** Existe el peligro de recibir una descarga eléctrica si penetran líquidos en la herramienta eléctrica.
  - d) **No utilice el cable de red para transportar o colgar la herramienta eléctrica, ni tire de él para sacar el enchufe de la toma de corriente. Mantenga el cable de red alejado del calor, aceite, esquinas cortantes o piezas móviles.** Los cables de red dañados o enredados pueden provocar una descarga eléctrica.
  - e) **Al trabajar con la herramienta eléctrica en la intemperie utilice solamente cables de prolongación homologados para su uso en exteriores.** La utilización de un cable de prolongación adecuado para su uso en exteriores reduce el riesgo de una descarga eléctrica.
  - f) **Si el funcionamiento de una herramienta eléctrica en un lugar húmedo fuese inevitable, utilice un cortacircuito de fuga a tierra.** El uso de un cortacircuito de fuga a tierra reduce el riesgo de descarga eléctrica.
- 3) **SEGURIDAD DE PERSONAS**
  - a) **Esté atento y emplee la herramienta eléctrica con prudencia. No utilice la herramienta eléctrica si estuviese cansado, ni bajo los efectos de alcohol, drogas o medicamentos.** El no estar atento durante el uso de una herramienta eléctrica puede provocarle serias lesiones.
  - b) **Utilice un equipo de protección personal y en todo caso unas gafas de protección.** El riesgo a lesionarse se reduce considerablemente si, dependiendo del tipo y la aplicación de la herramienta eléctrica empleada, se utiliza un equipo de protección adecuado como una mascarilla antipolvo, zapatos de seguridad con suela antideslizante, casco, o protectores auditivos.
  - c) **Evite una puesta en marcha fortuita. Asegurarse de que la herramienta eléctrica esté desconectada antes de conectarla a la toma de corriente y/o al montar el acumulador, al recogerla, y al transportarla.** Si transporta la herramienta eléctrica sujetándola por el interruptor de conexión/desconexión, o si introduce el enchufe en la toma de corriente con la

herramienta eléctrica conectada, ello puede dar lugar a un accidente.

- d) **Retire las herramientas de ajuste o llaves fijas antes de conectar la herramienta eléctrica.** Una herramienta o llave colocada en una pieza rotativa puede producir lesiones graves al accionar la herramienta eléctrica.
  - e) **Sea precavido. Trabaje sobre una base firme y mantenga el equilibrio en todo momento.** Ello le permitirá controlar mejor la herramienta eléctrica en caso de presentarse una situación inesperada.
  - f) **Lleve puesta una vestimenta de trabajo adecuada. No utilice vestimenta amplia ni joyas. Mantenga su pelo y vestimenta alejados de las piezas móviles.** La vestimenta suelta, las joyas y el pelo largo se pueden enganchar con las piezas en movimiento.
  - g) **Siempre que sea posible utilizar equipos de aspiración o captación de polvo, asegúrese que éstos estén montados y que sean utilizados correctamente.** El empleo de estos equipos reduce los riesgos derivados del polvo.
  - h) **No permita que la familiaridad ganada por el uso frecuente de la herramienta eléctrica lo deje creerse seguro e ignorar las normas de seguridad.** Una acción negligente puede causar lesiones graves en una fracción de segundo.
- #### 4) CUIDADO Y UTILIZACIÓN DE HERRAMIENTAS ELÉCTRICAS
- a) **No sobrecargue la herramienta eléctrica. Use la herramienta eléctrica prevista para el trabajo a realizar.** Con la herramienta eléctrica adecuada podrá trabajar mejor y con mayor seguridad dentro del margen de potencia indicado.
  - b) **No utilice herramientas eléctricas con un interruptor defectuoso.** Las herramientas eléctricas que no se puedan conectar o desconectar son peligrosas y deben repararse.
  - c) **Saque el enchufe de la red y/o retire el acumulador desmontable de la herramienta eléctrica, antes de realizar un ajuste, cambiar de accesorio o al guardar la herramienta eléctrica.** Esta medida preventiva reduce el riesgo de conectar accidentalmente la herramienta eléctrica.
  - d) **Guarde las herramientas eléctricas fuera del alcance de los niños y de las personas que no estén familiarizadas con su uso.** Las herramientas eléctricas utilizadas por personas inexpertas son peligrosas.
  - e) **Cuide la herramienta eléctrica y los accesorios con esmero. Controle si funcionan correctamente, sin atascarse, las partes móviles de la herramienta eléctrica, y si existen partes rotas o deterioradas que pudieran afectar al funcionamiento de la herramienta eléctrica. Si la herramienta eléctrica estuviese defectuosa haga repararla antes de volver a utilizarla.** Muchos de los accidentes se deben a herramientas eléctricas con un mantenimiento deficiente.
  - f) **Mantenga los útiles limpios y afilados.** Los útiles mantenidos correctamente se dejan guiar y controlar mejor.
  - g) **Utilice herramientas eléctricas, accesorios, útiles, etc. de acuerdo con estas instrucciones, teniendo en cuenta las condiciones de trabajo y la tarea a realizar.** El uso de herramientas eléctricas para trabajos diferentes de aquellos para los que han sido concebidas puede resultar peligroso.

- h) **Mantenga las empuñaduras y las superficies de las empuñaduras secas, limpias y libres de aceite y grasa.** Las empuñaduras y las superficies de las empuñaduras resbaladizas no permiten un manejo y control seguro de la herramienta eléctrica en situaciones imprevistas.
- 5) **SERVICIO**
- a) **Únicamente haga reparar su herramienta eléctrica por un profesional, empleando exclusivamente piezas de repuesto originales.** Solamente así se mantiene la seguridad de la herramienta eléctrica.

## INSTRUCCIONES DE SEGURIDAD PARA HERRAMIENTAS MULTIUSO

### GENERAL

- Esta herramienta no debe utilizarse por personas menores de 16 años
- Utilice cables de extensión seguros y completamente desenrollados con una capacidad de 16 amperios
- Compruebe siempre que la tensión de alimentación es la misma que la indicada en la placa de características de la herramienta
- Evite los daños que puedan causar los tornillos, clavos y otros objetos sobre la pieza de trabajo; retírelos antes de empezar a trabajar
- El polvo del material, como la pintura que contiene plomo, algunas especies de madera, minerales y metal podrían ser dañinos (el contacto o inhalación del polvo podría producir reacciones alérgicas y trastornos respiratorios al operador o a otras personas que se encuentren en la zona); **utilice una máscara contra el polvo y trabaje con un dispositivo de extracción de polvo cuando lo conecte**
- Ciertos tipos de polvo están catalogados como cancerígenos (por ejemplo el polvo de roble y de haya) especialmente junto con aditivos para el acondicionamiento de la madera; **utilice una máscara contra el polvo y trabaje con un dispositivo de extracción de polvo cuando lo conecte**
- Siga la normativa nacional en cuanto a extracción de polvo, en función de los materiales que vayan a ser utilizados
- **Utilice abrazaderas u otro sistema práctico para asegurar y soportar la pieza de trabajo en una plataforma estable** (si la sujeta con la mano o contra el cuerpo, queda inestable y puede perder el control sobre ella)
- **No trabaje materiales que contengan amianto** (el amianto es cancerígeno)
- **Desconecte siempre el enchufe de la fuente de alimentación durante las interrupciones del trabajo o antes de realizar tareas de limpieza, mantenimiento, ajuste o cambio de accesorios para reducir el riesgo de arranque accidental de la herramienta**
- Cuando trabaje mantenga siempre firme la herramienta con ambas manos y adopte una posición estable
- Mantenga siempre el cable lejos de las partes móviles de la herramienta; mantenga el cable detrás de usted, lejos de la herramienta
- **Utilice guantes de protección al cambiar accesorios** (el contacto con el accesorio puede provocar lesiones)
- En el caso de que se produjera un mal funcionamiento eléctrico o mecánico, apague inmediatamente la herramienta y desconecte el enchufe

- Si llega a dañarse o cortarse el cable eléctrico durante el trabajo, no tocar el cable, sino extraer inmediatamente el enchufe de la red
- No utilice la herramienta si el cable está dañado; en tal caso, diríjase a un centro de servicio técnico autorizado para herramientas eléctricas SKIL que cuente con personal cualificado y solicite el cambio del cable por otro preparado especialmente
- Ponga atención al guardar su herramienta de que el motor esté apagado y las partes móviles se hayan detenido por completo

### AL SERRAR/CORTAR

- **Sujete la herramienta eléctrica por las superficies de agarre aisladas al realizar trabajos en los que el accesorio puede tocar conductores eléctricos ocultos o el propio cable** (el contacto con conductores bajo tensión puede hacer que las partes metálicas de la herramienta eléctrica le provoquen una descarga eléctrica)
- **Mantenga las manos alejadas de la zona de corte;** por ningún motivo toque por debajo del material mientras se está cortando
- **Utilice aparatos de detección adecuados para localizar posibles conductores o tuberías ocultas, o consulte a su compañía abastecedora** (el contacto con conductores eléctricos puede provocar una descarga eléctrica e incluso un incendio; al dañar una tubería de gas puede producirse una explosión; la perforación de una tubería de agua pueden causar daños materiales o una descarga eléctrica)
- No utilice nunca hojas rotas, desformadas o desgastadas

### AL LIJAR

- **Use la herramienta exclusivamente para lijado en seco** (la penetración de agua en la herramienta aumenta el riesgo de descarga eléctrica)
- Evitar el contacto con la hoja de lijado en marcha
- No utilizar hojas de lijado desgastadas, desgarradas o excesivamente embazadas
- Al lijar metal se generen chispas; no utilice el aspirador y mantenga otras personas y materiales combustibles alejados de la zona de trabajo

### EXPLICACIÓN DE LOS SÍMBOLOS DE LA HERRAMIENTA

- ③ Esta herramienta acepta los accesorios para herramientas multiuso más comunes, incluyendo los accesorios básicos OIS y Starlock existentes
- ④ Lea el manual de instrucciones antes de utilizarla
- ⑤ Doble aislamiento (no requiere cable de tierra)
- ⑥ No deseche la herramienta junta con los residuos domésticos

### USO

- Cambio de accesorios ⑦
- **! desenchufar la herramienta**
  - retire/instale el accesorio requerido según figura en la ilustración
  - asegúrese de que las aberturas del accesorio encajan con las pestañas del cabezal de la herramienta (es posible cualquier posición de acoplamiento)
  - instale el accesorio con el centro hundido orientado hacia abajo
  - afloje/apriete el tornillo B con la llave hexagonal A
  - **compruebe que el accesorio se apoya de forma ajustada** (los accesorios apretados de forma

- incorrecta o poco firme pueden soltarse durante la operación provocando riesgos)
- Montaje de la hoja de lija ⑧
    - sacuda el polvo adherido al VELCRO de la plataforma de lijado C antes de colocar la hoja de lija
    - monte la hoja de lijado VELCRO D de la forma ilustrada
  - ! la succión de polvo requiere que se usen hojas de lija perforadas
  - ! las perforaciones de las hojas de lija deben corresponderse con las perforaciones de la lijadora
  - ! cambie a tiempo las hojas de lija pasadas
  - ! utilice siempre la herramienta con toda la superficie de VELCRO cubierta con la hoja de lija
  - Aspiración de polvo ⑨
    - ! desenchufar la herramienta
    - utilice el dispositivo de extracción de polvo E únicamente cuando trabaje con la plataforma de lijado C
    - monte el dispositivo de extracción de polvo E como figura en la ilustración
    - monte la aspiradora
    - ! no utilice el dispositivo de extracción de polvo/ aspirador al lijar metales
    - limpie el dispositivo de extracción de polvo E con regularidad para que el rendimiento de la captación de polvo sea óptimo
  - Encendido/apagado
    - Encienda/apague la herramienta empujando el interruptor F ② a la posición "I"/"O"
    - ! antes de trabajar sobre una pieza, la herramienta deberá alcanzar su velocidad máxima
    - ! antes de desactivar la herramienta, debe retirarla de la pieza de trabajo
  - Ajuste de la velocidad de funcionamiento ⑩
    - la frecuencia de oscilación requerida se puede ajustar con la rueda G desde el nivel bajo (1) al alto (6) (también con la herramienta en funcionamiento)
    - la velocidad óptima de trabajo depende del material y puede determinarse con la práctica
  - Luz LED J ⑪
    - La luz LED J se enciende automáticamente cuando se activa el interruptor F
  - Sujeción y manejo de la herramienta ⑫
    - ! durante el trabajo, sujete siempre la herramienta por la(s) zona(s) de empuñadura de color gris
    - mantenga las ranuras de ventilación H descubiertas
    - no aplique demasiada presión sobre la herramienta (demasiada presión provocará un calentamiento excesivo y puede reducir la vida útil del accesorio)
  - Accesorio de ajuste de profundidad M (DEPTH STOP) (no incluido de serie) ⑬

## CONSEJOS DE APLICACIÓN

- Para obtener los mejores resultados con distintos materiales, utilice la tabla ⑭ como referencia para determinar el accesorio adecuado (los accesorios no se incluyen con el modelo estándar)
- Para más consejos vea [www.skil.com](http://www.skil.com)

## MANTENIMIENTO / SERVICIO

- Esta herramienta no está concebida para uso profesional
- Mantenga limpio el cable eléctrico y la herramienta (sobre todo las ranuras de ventilación H ②)
  - ! desenchufar la herramienta antes de limpiar
- Si a pesar de los esmerados procesos de fabricación y control, la herramienta llegase a averiarse, la reparación deberá encargarse a un servicio técnico autorizado para herramientas eléctricas SKIL
  - envíe la herramienta sin desmontar junto con una prueba de su compra a su distribuidor o a la estación de servicio más cercana de SKIL (los nombres así como el despiece de piezas de la herramienta figuran en [www.skil.com](http://www.skil.com))
- Tenga presente que los daños debido a sobrecargas o al manejo inadecuado de la herramienta serán excluidos de la garantía (consulte las condiciones de garantía de SKIL en [www.skil.com](http://www.skil.com) o consulte a su distribuidor)

## AMBIENTE

- No deseche las herramientas eléctricas, los accesorios y embalajes junto con los residuos domésticos (sólo para países de la Unión Europea)
  - de conformidad con la Directiva Europea 2012/19/CE sobre residuos de aparatos eléctricos y electrónicos y su aplicación de acuerdo con la legislación nacional, las herramientas eléctricas cuya vida útil haya llegado a su fin se deberán recoger por separado y trasladar a una planta de reciclaje que cumpla con las exigencias ecológicas
  - símbolo ⑥ llamará su atención en caso de necesidad de tirarlas

## RUIDOS / VIBRACIONES

- Realizando mediciones según EN 62841, el nivel de presión acústica de esta herramienta es 86,5 dB(A) y el nivel de potencia acústica es de 97,5 dB(A) (incertidumbre K = 3 dB), y la vibración \* (suma vectorial triaxial; incertidumbre K = 1,5 m/s<sup>2</sup>)
  - \* durante el lijado 3,4 m/s<sup>2</sup>
- El nivel de emisión de vibraciones ha sido medido según una prueba estándar proporcionada en EN 62841; puede utilizarse para comparar una herramienta con otra y como valoración preliminar de la exposición a las vibraciones al utilizar la herramienta con las aplicaciones mencionadas
  - al utilizarla para distintas aplicaciones o con accesorios diferentes o con un mantenimiento deficiente, podría aumentar de forma notable el nivel de exposición
  - en las ocasiones en que se apaga la herramienta o cuando está funcionando pero no está realizando ningún trabajo, se podría reducir el nivel de exposición de forma importante
- ! protéjase contra los efectos de la vibración realizando el mantenimiento de la herramienta y sus accesorios, manteniendo sus manos calientes y organizando sus patrones de trabajo

**NOM**



## Ferramenta multifunções

1491

### INTRODUÇÃO

- Esta ferramenta destina-se a serrar e cortar madeira, plástico, reboco, metais e mosaicos de parede leves, assim como lixar e raspar pequenas superfícies a seco
- Ela é especialmente apropriada para trabalhos próximos de bordas e para cortes face a face
- Esta ferramenta não se destina a utilização profissional
- Esta ferramenta aceita os acessórios multiferramentas disponíveis mais comuns, incluindo os acessórios OIS e Starlock existentes ③
- Leia e guarde este manual de instruções ④

### DADOS TÉCNICOS ①

### ELEMENTOS DA FERRAMENTA ②

- A Chave sextavada
- B Parafuso de fixação com anilha
- C Disco de lixa
- D Folha de lixa
- E Dispositivo de extracção de pó
- F Interruptor para ligar/desligar
- G Rolete de selecção da velocidade
- H Aberturas de ventilação
- J Luz LED
- K Lâmina da serra de segmento \*
- L Lâmina da serra de corte
- M Acessório de ajuste da profundidade \*

\* NÃO INCLUÍDO/A DE SÉRIE

### SEGURANÇA

#### INDICAÇÕES GERAIS DE SEGURANÇA PARA FERRAMENTAS ELÉTRICAS

**AVISO** Leia todos os avisos de segurança, instruções, ilustrações e especificações fornecidas com esta ferramenta eléctrica. O incumprimento de todas as instruções enumeradas abaixo poderá resultar em choque eléctrico, incêndio e/ou lesão grave.

**Guarde bem todas as advertências e instruções para futura referência.**

O termo “ferramenta eléctrica” utilizado a seguir nas indicações de advertência, refere-se a ferramentas eléctricas operadas com corrente de rede (com cabo de rede) e a ferramentas eléctricas operadas com acumulador (sem cabo de rede).

#### 1) SEGURANÇA DA ÁREA DE TRABALHO

- a) **Mantenha a sua área de trabalho limpa e arrumada.** Desordem ou áreas de trabalho com fraca iluminação podem causar acidentes.
- b) **Não trabalhar com a ferramenta eléctrica em áreas com risco de explosão, nas quais se encontrem líquidos, gases ou pós inflamáveis.** Ferramentas

eléctricas produzem faíscas que podem provocar a ignição de pó e vapores.

- c) **Mantenha crianças e outras pessoas afastadas da ferramenta eléctrica durante o trabalho com a ferramenta.** Distracções podem causar a falta de controlo sobre o aparelho.
- #### 2) SEGURANÇA ELÉTRICA
- a) **As fichas das ferramentas eléctricas devem caber na tomada. A ficha não deve ser modificada de modo algum. Não utilize quaisquer fichas de adaptação junto com ferramentas eléctricas ligadas à terra.** Fichas sem modificações e tomadas adequadas reduzem o risco de choques eléctricos.
  - b) **Evite que o corpo entre em contacto com superfícies ligadas à terra, como por exemplo tubos, radiadores, fogões e geladeiras.** Há um risco elevado de choques eléctricos, caso o corpo for ligado à terra.
  - c) **A ferramenta eléctrica não deve ser exposta à chuva nem humidade.** A penetração de água na ferramenta eléctrica aumenta o risco de choques eléctricos.
  - d) **O cabo do aparelho não deve ser utilizado para o transporte, para pendurar o aparelho, nem para puxar a ficha da tomada. Mantenha o cabo afastado de calor, óleo, cantos afiados ou partes em movimento do aparelho.** Cabos danificados ou torcidos aumentam o risco de choques eléctricos.
  - e) **Ao trabalhar com a ferramenta eléctrica ao ar livre, use um cabo de extensão apropriado para áreas externas.** O uso de um cabo apropriado para áreas externas reduz o risco de choques eléctricos.
  - f) **Se não for possível evitar o funcionamento da ferramenta eléctrica em áreas húmidas, deverá ser utilizado um disjuntor de corrente de avaria.** A utilização de um disjuntor de corrente de avaria reduz o risco de um choque eléctrico.
- #### 3) SEGURANÇA DE PESSOAS
- a) **Esteja alerta, observe o que está a fazer, e tenha prudência ao trabalhar com a a ferramenta eléctrica.** Não use a ferramenta eléctrica se estiver fatigado ou sob a influência de drogas, álcool ou medicamentos. Um momento de falta de atenção durante a operação da ferramenta eléctrica pode causar graves lesões.
  - b) **Utilizar equipamento de protecção pessoal e sempre óculos de protecção.** A utilização de equipamento de protecção pessoal, como máscara de protecção contra pó, sapatos de segurança antiderrapantes, capacete de segurança ou protecção auricular, de acordo com o tipo e aplicação da ferramenta eléctrica, reduz o risco de lesões.
  - c) **Evitar uma colocação em funcionamento involuntária. Assegure-se de que a ferramenta eléctrica esteja desligada, antes de conectá-la à alimentação de rede e/ou ao acumulador, antes de levantá-la ou de transportá-la.** Se tiver o dedo no interruptor ao transportar a ferramenta eléctrica ou se o aparelho for conectado à alimentação de rede enquanto estiver ligado, poderão ocorrer acidentes.
  - d) **Remover chaves de ajustes ou chaves de fenda, antes de ligar a ferramenta eléctrica.** Uma chave de fenda ou chave de ajuste que se encontre numa parte móvel do aparelho, pode levar a lesões.

- e) **Não se sobrestime. Mantenha uma posição firme e mantenha sempre o equilíbrio.** Desta forma poderá ser mais fácil controlar o aparelho em situações inesperadas.
- f) **Use roupa apropriada. Não use roupa larga ou jóias. Mantenha os cabelos e roupas afastados de partes em movimento.** Roupas largas, jóias ou cabelos longos podem ser agarradas por partes em movimento.
- g) **Se for prevista a montagem de dispositivos de aspiração de pó e de dispositivos de recolha, assegure-se de que estão conectados e que sejam utilizados de forma correcta.** A utilização de uma aspiração de pó pode reduzir o perigo devido ao pó.
- h) **Não deixe que a familiaridade resultante de uma utilização frequente de ferramentas permita que você se torne complacente e ignore os princípios de segurança da ferramenta.** Uma acção descuidada pode causar ferimentos graves numa fração de segundo.

#### 4) USO E TRATAMENTO DE FERRAMENTAS ELÉTRICAS

- a) **Não sobrecarregue a ferramenta eléctrica. Use para o seu trabalho a ferramenta eléctrica correcta.** A ferramenta correcta realizará o trabalho de forma melhor e mais segura dentro da faixa de potência indicada.
- b) **Não utilize a ferramenta eléctrica se o interruptor não puder ser ligado nem desligado.** Qualquer ferramenta eléctrica que não possa ser controlada através do interruptor de ligar-desligar, é perigosa e deve ser reparada.
- c) **Puxar a ficha da tomada e/ou remover o acumulador, se amovível, antes de executar ajustes na ferramenta, de substituir acessórios ou de guardar a ferramenta.** Esta medida de segurança evita que a ferramenta eléctrica seja ligada acidentalmente.
- d) **Guarde ferramentas eléctricas que não estiverem sendo utilizadas, for a do alcance de crianças. Não permita que o aparelho seja utilizado por pessoas não familiarizadas com o mesmo ou que não tenham lido estas instruções.** Ferramentas eléctricas são perigosas nas mãos de pessoas sem treinamento.
- e) **Trate a ferramenta eléctrica e os acessórios com cuidado. Verifique se as partes móveis do aparelho funcionam perfeitamente e não emperram, se há peças quebradas ou danificadas, que possam influenciar o funcionamento do aparelho. Peças danificadas devem ser reparadas antes da utilização do aparelho.** Muitos acidentes tem como causa uma manutenção insuficiente das ferramentas eléctricas.
- f) **Mantenha as ferramentas de corte sempre afiadas e limpas.** Ferramentas de cortes devidamente tratadas, com cantos afiados travam com menos frequência e podem ser controladas com maior facilidade.
- g) **Use a ferramenta eléctrica, os acessórios os bits da ferramenta etc., de acordo com estas instruções. Considere também as condições de trabalho e o trabalho a ser efectuado.** A utilização da ferramenta eléctrica para outros fins que os previstos, pode resultar em situações perigosas.
- h) **Mantenha os punhos e as superfícies de agarrar secas, limpas e livres de óleo e massa consistente.** Punhos e superfícies de agarrar escorregadias não permitem o manuseio e controlo seguros da ferramenta em situações inesperadas.

#### 5) SERVIÇO

- a) **A sua ferramenta eléctrica só deve ser reparada por pessoal qualificado e só devem ser colocadas peças sobressalentes originais.** Desta forma é assegurada a segurança da ferramenta eléctrica.

#### INSTRUÇÕES DE SEGURANÇA PARA FERRAMENTAS MULTIFUNÇÕES

##### GENERAL

- Esta ferramenta não deve ser utilizada por pessoas menores de 16 anos
- Utilize extensões completamente desenroladas e seguras, com uma capacidade de 16 Amp
- Certifique-se sempre de que a tensão de alimentação está de acordo com a tensão indicada na placa de identificação da ferramenta
- Evite danificar a ferramenta em superfícies com pregos ou parafusos; remova-os antes de começar a trabalhar
- O pó do material, como tinta com chumbo, algumas espécies de madeira, minerais e metais, pode ser prejudicial (contacto ou inalação do pó pode provocar reacções alérgicas e/ou doenças respiratórias ao operador ou às pessoas presentes); **use máscara respiratória e trabalhe com um dispositivo de extração de pó quando ligado a**
- Determinados tipos de pó são classificados como substâncias cancerígenas (como pó de carvalho e faia), em especial, juntamente com aditivos para acondicionamento da madeira; **use máscara respiratória e trabalhe com um dispositivo de extração de pó quando ligado a**
- Siga o regulamento nacional quanto a extracção de pó, em função dos materiais que vão ser utilizados
- **Utilize os grampos ou outra forma prática para apoiar e fixar a peça de trabalho numa plataforma estável** (segurar o trabalho com a mão ou contra o corpo deixa a peça instável e pode provocar a perda de controlo)
- **Não processar material que contenha asbesto** (asbesto é considerado como sendo cancerígeno)
- **Desligue sempre a ficha da fonte de alimentação durante as paragens ou antes de limpar, manter, efectuar ajustes e mudar acessórios, para reduzir o risco de ligar a ferramenta acidentalmente**
- Durante o trabalho segure sempre a ferramenta firmemente com ambas as mãos e mantenha uma posição firme
- Mantenha sempre o fio afastado das peças rotativas da ferramenta; coloque o fio para trás, fora do alcance da ferramenta
- **Use luvas de protecção quando mudar os acessórios** (contacto com o acessório pode provocar lesões)
- Em caso de anomalias eléctricas ou mecânicas, desligue imediatamente a ferramenta e tire a ficha da tomada
- Caso o fio for danificado ou cortado durante o trabalho, não toque no fio, mas tire imediatamente a ficha da tomada
- Nunca utilize a ferramenta com o cabo danificado; tem de o substituir por um cabo especialmente preparado num centro de assistência pós-venda para ferramentas eléctricas SKIL e instalado por uma pessoa qualificada
- Quando guardar a ferramenta, deverá certificar-se que o motor esta devidamente parado assim como todas as peças rotativas



## QUANDO SERRAR/CORTAR

- **Segurar a ferramenta eléctrica pelas superfícies de punho isoladas ao executar trabalhos durante os quais o acessório possa atingir cabos eléctricos escondidos ou o próprio cabo de rede** (o contacto com um cabo sob tensão também pode colocar sob tensão as peças metálicas da ferramenta e levar a um choque eléctrico)
- **Mantenha as mãos afastadas da área de corte;** nunca toque por baixo do material por qualquer motivo durante o corte
- **Utilizar detectores apropriados para detectar tubos e cabos de alimentação escondidos, ou consulte a firma de alimentação local** (o contacto com um cabo eléctrico pode levar a incêndio e choque eléctrico; a danificação de um cano de gás pode levar à explosão; a penetração de uma tubulação de água provoca danos materiais ou pode provocar um choque eléctrico)
- Não utilize lâminas que se encontrem rachadas, deformadas ou cagas

## QUANDO LIXAR

- **Utilize a ferramenta apenas para lixagem a seco** (a entrada de água na ferramenta aumenta o risco de choque eléctrico)
- Não entrar em contacto com a folha de lixadeira em funcionamento
- Folhas de lixadeira gastas, rasgadas ou muito sujas não devem continuar a ser utilizadas
- Ao lixar metais, devido às faíscas produzidas, não utilize o aspirador e mantenha afastadas outras pessoas e materiais combustíveis à área de trabalho

## EXPLICAÇÃO DOS SÍMBOLOS DA FERRAMENTA

- ③ Esta ferramenta aceita os acessórios multiferramentas disponíveis mais comuns, incluindo os acessórios básicos OIS e Starlock existentes
- ④ Leia o manual de instruções antes de utilizar o equipamento
- ⑤ Isolamento duplo (nenhum fio de terra necessário)
- ⑥ Não deite a ferramenta no lixo doméstico

## MANUSEAMENTO

- Substituição de acessórios ⑦
  - ! **desligar da fonte de corrente**
  - retire/monte o acessório necessário conforme ilustrado
  - certifique-se de que as aberturas do acessório engatam nas patilhas da cabeça da ferramenta (qualquer posição de encaixe possível)
  - monte o acessório com o centro comprimido apontado para baixo
  - desaperte/aperte parafuso B com a chave hexagonal A
  - **verifique o aperto do acessório** (os acessórios apertados incorrectamente ou mal apertados podem ficar soltos durante o funcionamento e criar perigo)
- Montagem das folhas de lixa ⑧
  - sacuda o pó do tecido de VELCRO do disco de lixa C antes de montar a folha de lixa
  - monte a folha de lixa VELCRO D como ilustrado
  - ! **a aspiração de pó requer folhas de lixa perfuradas**
  - ! **a perfuração da folha de lixa deverá corresponder à perfuração da ferramenta**
  - ! **troque as folhas de lixas gastas atempadamente**
  - ! **utilize sempre a ferramenta com toda a superfície de VELCRO coberta com a folha de lixa**

- Aspiração de pó ⑨
  - ! **desligar da fonte de corrente**
  - utilize o dispositivo de extracção de poeira E apenas quando trabalhar com o disco da lixa C
  - monte o dispositivo de extracção de pó E conforme ilustrado
  - aplique o aspirador
  - ! **não utilize o dispositivo de extracção de pó/ aspirador quando lixar metais**
  - limpe o dispositivo de extracção de pó E regularmente para uma recolha de pó óptima
- Ligar/desligar
  - Ligue/desligue a ferramenta premindo o interruptor F ② para a posição "I"/"O"
  - ! **a ferramenta deverá trabalhar na velocidade máxima antes de alcançar a peça a trabalhar**
  - ! **antes de desligar a ferramenta, deve levantá-la da peça de trabalho**
- Ajustar a velocidade de trabalho ⑩
  - com a roda G pode ajustar a frequência de oscilação necessária de baixa (1) a alta (6) (também com a ferramenta em funcionamento)
  - a velocidade de trabalho óptima depende do material e pode ser determinada pelas tentativas práticas
- Luz LED J ⑪
  - A luz LED J acende automaticamente ao activar o interruptor F
- Segurar e guiar a ferramenta ⑫
  - ! **durante o trabalho, segure sempre a ferramenta na(s) área(s) de fixação cinzenta(s)**
  - mantenha as aberturas de ventilação H destapadas
  - não aplique demasiada pressão na ferramenta (a pressão excessiva provocará calor excessivo e pode reduzir a duração do acessório)
- Acessório de ajuste da profundidade M (DEPTH STOP) (não incluído de série) ⑬

## CONSELHOS DE APLICAÇÃO

- Para resultados óptimos em diferentes materiais, utilize a tabela ⑭ como referência para determinar o acessório correcto (**acessórios não padrão incluídos**)
- Para mais sugestões consulte [www.skil.com](http://www.skil.com)

## MANUTENÇÃO / SERVIÇO

- Esta ferramenta não se destina a utilização profissional
- Mantenha a ferramenta e o fio sempre limpos (especialmente as ranhuras de respiração H ②)
  - ! **desligar a ferramenta da fonte de corrente antes de limpar**
- Se a ferramenta falhar apesar de cuidadosos processos de fabricação e de teste, a reparação deverá ser executada por uma oficina de serviço autorizada para ferramentas eléctricas SKIL
  - envie a ferramenta **sem desmontar**, juntamente com a prova de compra, para o seu revendedor ou para o centro de assistência SKIL mais próximo (os endereços assim como a mapa de peças da ferramenta estão mencionados no [www.skil.com](http://www.skil.com))
- Não se esqueça de que os danos provocados por sobrecarga ou manuseamento incorrecto da ferramenta estão excluídos da garantia (para mais informações sobre as condições da garantia da SKIL, consulte [www.skil.com](http://www.skil.com) ou pergunte ao seu revendedor)

## AMBIENTE

- **Non deite ferramentas eléctricas, acessórios e embalagem no lixo doméstico** (apenas para países da UE)
  - de acordo com a directiva europeia 2012/19/CE sobre ferramentas eléctricas e electrónicas usadas e a transposição para as leis nacionais, as ferramentas eléctricas usadas devem ser recolhidas em separado e encaminhadas a uma instalação de reciclagem dos materiais ecológica
  - símbolo lhe avisará em caso de necessidade de arranjar-las

## RUÍDO / VIBRAÇÃO

- O nível de pressão sonora desta ferramenta, medido de acordo com a EN 62841, é de 86,5 dB(A) e o nível de potência acústica é de 97,5 dB(A) (incerteza K = 3 dB), e a vibração \* (soma do vector triax; incerteza K = 1,5 m/s<sup>2</sup>)
    - \* durante a lixagem 3.4 m/s<sup>2</sup>
  - O nível de emissão de vibrações foi medido de acordo com um teste normalizado fornecido na EN 62841; pode ser utilizado para comparar uma ferramenta com outra e como uma avaliação preliminar de exposição à vibração quando utilizar a ferramenta para as aplicações mencionadas
    - utilizar a ferramenta para diferentes aplicações ou com acessórios diferentes ou mantidos deficientemente, pode **augmentar** significativamente o nível de exposição
    - o número de vezes que a ferramenta é desligada ou quando estiver a trabalhar sem fazer nada, pode **reduzir** significativamente o nível de exposição
- ! proteja-se contra os efeitos da vibração, mantendo a ferramenta e os acessórios, mantendo as mãos quentes e organizando os padrões de trabalho**

1

## Utensile multifunzione

1491

## INTRODUZIONE

- Questo utensile è stato concepito per segare e tagliare legno, plastica, intonaco, metalli e piastrelle per pareti morbide, nonché per la levigatura a secco e la raschiatura di superfici piccole
- L'utensile è adatto in modo particolare per lavori vicino ai bordi e a livello
- Questo utensile non è inteso per un uso professionale
- Questo utensile permette l'utilizzo dei più comuni accessori disponibili, compresi gli accessori OIS e Starlock in commercio
- Leggete e conservate questo manuale di istruzione

## DATI TECNICI

## ELEMENTI UTENSILE

- A Chiave esagonale
- B Vite di fissaggio con rondella

- C Platorello
  - D Foglio abrasivo
  - E Dispositivo per l'estrazione della polvere
  - F Interruttore di acceso/spento
  - G Rotella selezione velocità
  - H Feritoie di ventilazione
  - J Spia LED
  - K Lama per sega a segmenti \*
  - L Lama per tagli in profondità
  - M Accessorio per la regolazione della profondità \*
- \* NON INCLUSO/A DI SERIE

## SICUREZZA

### AVVERTENZE GENERALI DI PERICOLO PER ELETTROUTENSILI

**AVVERTENZA Leggere tutte le avvertenze di sicurezza, istruzioni, illustrazioni e specifiche fornite con l'utensile.** La mancata osservanza di tutte le istruzioni sottoelencate potrebbe causare delle scariche elettriche, principi d'incendio e/o gravi lesioni.

### Conservare tutte le avvertenze di pericolo e le istruzioni operative per ogni esigenza futura.

Il termine "elettroutensile" utilizzato nelle avvertenze di pericolo si riferisce ad elettroutensili alimentati dalla rete (con linea di allacciamento) ed ad elettroutensili alimentati a batteria (senza linea di allacciamento).

#### 1) SICUREZZA DELLA POSTAZIONE DI LAVORO

- a) **Mantenere pulito ed ordinato il posto di lavoro.** Il disordine o le zone di lavoro non illuminate possono essere fonte di incidenti.
- b) **Evitare d'impiegare l'elettroutensile in ambienti soggetti al rischio di esplosioni nei quali si trovino liquidi, gas o polveri infiammabili.** Gli elettroutensili producono scintille che possono far infiammare la polvere o i gas.
- c) **Mantenere lontani i bambini ed altre persone durante l'impiego dell'elettroutensile.** Eventuali distrazioni potranno comportare la perdita del controllo sull'elettroutensile.

#### 2) SICUREZZA ELETTRICA

- a) **La spina per la presa di corrente dovrà essere adatta alla presa. Evitare assolutamente di apportare modifiche alla spina. Non impiegare spine adattatrici assieme ad elettroutensili con collegamento a terra.** Le spine non modificate e le prese adatte allo scopo riducono il rischio di scosse elettriche.
- b) **Evitare il contatto fisico con superfici collegate a terra, come tubi, riscaldamenti, cucine elettriche e frigoriferi.** Sussiste un maggior rischio di scosse elettriche nel momento in cui il corpo è messo a massa.
- c) **Custodire l'elettroutensile al riparo dalla pioggia o dall'umidità.** L'eventuale infiltrazione di acqua in un elettroutensile va ad aumentare il rischio d'insorgenza di scosse elettriche.
- d) **Non usare il cavo per scopi diversi da quelli previsti al fine di trasportare o appendere l'elettroutensile, oppure di togliere la spina dalla presa di corrente.**

- Mantenere l'elettrotensile al riparo da fonti di calore, dall'olio, dagli spigoli o da pezzi in movimento.** I cavi danneggiati o aggrovigliati aumentano il rischio d'insorgenza di scosse elettriche.
- e) **Qualora si voglia usare l'elettrotensile all'aperto, impiegare solo ed esclusivamente cavi di prolunga omologati per l'impiego all'esterno.** L'uso di un cavo di prolunga omologato per l'impiego all'esterno riduce il rischio d'insorgenza di scosse elettriche.
- f) **Qualora non fosse possibile evitare di utilizzare l'elettrotensile in ambiente umido, utilizzare un interruttore di messa a terra.** L'uso di un interruttore di messa a terra riduce il rischio di una scossa elettrica.
- 3) SICUREZZA DELLE PERSONE**
- a) **È importante concentrarsi su ciò che si sta facendo e a maneggiare con giudizio l'elettrotensile durante le operazioni di lavoro. Non utilizzare l'elettrotensile in caso di stanchezza o sotto l'effetto di droghe, bevande alcoliche e medicinali.** Un attimo di distrazione durante l'uso dell'elettrotensile potrà causare lesioni gravi.
- b) **Indossare sempre equipaggiamento protettivo individuale. Usare sempre protezioni per gli occhi.** Se si avrà cura d'indossare equipaggiamento protettivo individuale come la maschera antipolvere, la calzatura antisdrucchiolevole di sicurezza, il casco protettivo o la protezione dell'udito, a seconda dell'impiego previsto per l'elettrotensile, si potrà ridurre il rischio di ferite.
- c) **Evitare l'accensione involontaria dell'elettrotensile. Prima di collegarlo alla rete di alimentazione elettrica e/o alla batteria ricaricabile, prima di prenderlo oppure prima di iniziare a trasportarlo, assicurarsi che l'elettrotensile sia spento.** Tenendo il dito sopra l'interruttore mentre si trasporta l'elettrotensile oppure collegandolo all'alimentazione di corrente con l'interruttore inserito, si vengono a creare situazioni pericolose in cui possono verificarsi seri incidenti.
- d) **Togliere gli attrezzi di regolazione o la chiave inglese prima di accendere l'elettrotensile.** Un elettrotensile o una chiave inglese che si trovino in una parte dell'elettrotensile in rotazione potranno causare lesioni.
- e) **È importante non sopravvalutarsi. Avere cura di mettersi in posizione sicura e di mantenere l'equilibrio.** In tale maniera sarà possibile controllare meglio l'elettrotensile in situazioni inaspettate.
- f) **Indossare vestiti adeguati. Evitare di indossare vestiti lenti o gioielli. Tenere capelli e vestiti lontani da parti in movimento.** Vestiti lenti, gioielli o capelli lunghi potranno impigliarsi in pezzi in movimento.
- g) **Se sussiste la possibilità di montare dispositivi di aspirazione o di captazione della polvere, assicurarsi che gli stessi siano stati installati correttamente e vengano utilizzati senza errori.** L'utilizzo di un'aspirazione polvere può ridurre lo svilupparsi di situazioni pericolose dovute alla polvere.
- h) **Una volta presa confidenza con gli utensili, evitare di trascurare le norme di sicurezza.** Una mancanza di attenzione può causare gravi lesioni in una frazione di secondo.
- 4) MANEGGIO ED IMPIEGO ACCURATO DI ELETTRUTENSILI**
- a) **Non sovraccaricare l'elettrotensile. Impiegare l'elettrotensile adatto per sbrigare il lavoro.** Utilizzando l'elettrotensile adatto si potrà lavorare meglio e con maggior sicurezza nell'ambito della gamma di potenza indicata.
- b) **Non utilizzare elettrotensili con interruttori difettosi.** Un elettrotensile che non si può più accendere o spegnere è pericoloso e dovrà essere riparato.
- c) **Prima di procedere ad operazioni di regolazione sull'elettrotensile, prima di sostituire parti accessorie oppure prima di posare l'elettrotensile al termine di un lavoro, estrarre sempre la spina dalla presa della corrente e/o estrarre la batteria ricaricabile, se rimovibile.** Tale precauzione eviterà che l'elettrotensile possa essere messo in funzione inavvertitamente.
- d) **Custodire gli elettrotensili non utilizzati al di fuori della portata dei bambini. Non fare usare l'elettrotensile a persone che non sono abituate ad usarlo o che non abbiano letto le presenti istruzioni.** Gli elettrotensili sono pericolosi se utilizzati da persone inesperte.
- e) **Eseguire la manutenzione degli elettrotensili e degli accessori. Verificare che le parti mobili dell'elettrotensile funzionino perfettamente e non s'inceppino, che non ci siano pezzi rotti o danneggiati al punto tale da limitare la funzione dell'elettrotensile stesso. Far riparare le parti danneggiate prima d'impiegare l'elettrotensile.** Numerosi incidenti vengono causati da elettrotensili la cui manutenzione è stata effettuata poco accuratamente.
- f) **Mantenere affilati e puliti gli elettrotensili da taglio.** Gli elettrotensili da taglio curati con particolare attenzione e con taglianti affilati s'inceppano meno frequentemente e sono più facili da condurre.
- g) **Utilizzare elettrotensili, accessori, attrezzi, ecc. in conformità con le presenti istruzioni. Osservare le condizioni di lavoro ed il lavoro da eseguirsi durante l'impiego.** L'impiego di elettrotensili per usi diversi da quelli consentiti potrà dar luogo a situazioni di pericolo.
- h) **Mantenere impugnature e superfici di presa asciutte, pulite e prive di olio e grasso.** Impugnature e superfici di presa scivolose non consentono di manipolare e controllare l'utensile in caso di situazioni inaspettate.
- 5) ASSISTENZA**
- a) **Fare riparare l'elettrotensile solo ed esclusivamente da personale specializzato e solo impiegando pezzi di ricambio originali.** In tale maniera potrà essere salvaguardata la sicurezza dell'elettrotensile.

#### ISTRUZIONI DI SICUREZZA PER UTENSILI MULTIFUNZIONE

##### NOTE GENERALI

- Questo utensile non dev'essere utilizzato da persone di età inferiore ai 16 anni
- Usare cavi di prolunga completamente srotolati e sicure con una capacità di 16 Amp

- Controllare che la tensione dell'alimentazione sia la stessa di quella indicata sulla targhetta dell'utensile
- Evitare possibili danneggiamenti da viti e chiodi sporgenti; rimuoverli prima di iniziare la lavorazione
- Le polveri di materiali come vernici contenenti piombo, alcune specie di legno, minerali e metallo possono essere nocive (il contatto con queste polveri o la loro inalazione possono causare reazioni allergiche e/o disturbi respiratori all'operatore o ad altre persone presenti sul posto); **indossare una maschera protettiva per la polvere e utilizzare un dispositivo per l'estrazione della polvere se è presente una presa di collegamento**
- Alcuni tipi di polvere sono classificati come cancerogeni (quali le polveri di quercia e faggio) specialmente se associate ad additivi per il trattamento del legno; **indossare una maschera protettiva per la polvere e utilizzare un dispositivo per l'estrazione della polvere se è presente una presa di collegamento**
- Rispettare le istruzioni nazionali riguardanti l'estrazione della polvere per i materiali in lavorazione
- **Utilizzare morsetti o altre attrezzature per fissare e sostenere il pezzo di lavorazione a una piattaforma stabile** (tenere il pezzo in lavorazione in mano o stretto al corpo è instabile e può far perdere il controllo dell'utensile)
- **Non lavorare mai materiali contenenti amianto** (l'amianto è ritenuto materiale cancerogeno)
- **Disinserire sempre la spina dalla presa di corrente durante le pause di lavoro o prima della pulizia, della manutenzione o di fare regolazioni e cambiare accessori, per ridurre il rischio di far partire l'utensile accidentalmente**
- Durante le operazioni di lavoro tenete sempre l'utensile con ambedue le mani ed assumete una sicura posizione di lavoro
- Mantenere sempre il cavo distante dalle parti in movimento dell'utensile; spingere il cavo verso la parte posteriore, distante dall'utensile
- **Usare guanti protettivi quando si cambiano accessori** (il contatto con l'accessorio può causare lesioni)
- Nel caso di cattivo funzionamento elettrico o meccanico, spegnete subito l'utensile e staccate la spina
- Se durante un'operazione di lavoro viene danneggiato oppure troncato il cavo, non toccare il cavo ma estrarre immediatamente la spina dalla presa
- Non usare l'utensile se il cavo è danneggiato; fare sostituire da una persona qualificata con un cavo apposito, disponibile presso i punti di assistenza autorizzati per gli elettrotensili SKIL
- Quando riponete l'utensile accertatevi che non ci siano parti in movimento e che il motore sia spento

#### DURANTE LA SABBIAATURA/IL TAGLIO

- **Afferrare l'elettrotensile alle superfici isolate dell'impugnatura qualora venissero effettuati lavori durante i quali l'accessorio potrebbe venire a contatto con cavi elettrici nascosti oppure con il proprio cavo di rete** (il contatto con un cavo sotto tensione può mettere sotto tensione anche parti metalliche dell'elettrotensile, causando una scossa elettrica)
- **Tenere lontane le mani dall'area di taglio**; non posizionare per alcun motivo le mani sotto il materiale durante le operazioni di taglio
- **Al fine di rilevare possibili linee di alimentazione nascoste, utilizzare adatte apparecchiature di**

**ricerca oppure rivolgersi alla locale società erogatrice** (un contatto con linee elettriche può provocare lo sviluppo di incendi e di scosse elettriche; danneggiando linee del gas si può creare il pericolo di esplosioni; penetrando una tubazione dell'acqua si provocano seri danni materiali oppure vi è il pericolo di provocare una scossa elettrica)

- Non usate la lama in caso sia crepata, deformata o non tagliente

#### DURANTE LA SABBIAATURA

- **Usare l'utensile solo per la sabbiaatura a secco** (la penetrazione di acqua nel motore aumenta il rischio di scossa elettrica)
- Evitare di toccare il foglio mentre questo si trova in movimento
- Non continuare ad usare fogli usurati, tagliati oppure già troppo carichi di materiale levigato
- Nella levigatura del metallo vengono generate scintille; non usare l'aspirapolvere e allontanare altre persone e materiali infiammabili dall'area di lavoro

#### SPIEGAZIONE DEI SIMBOLI PRESENTI SULL'UTENSILE

- ③ Questo utensile permette l'utilizzo dei più comuni accessori disponibili, compresi gli accessori base OIS e Starlock in commercio
- ④ Leggere il manuale di istruzioni prima dell'uso
- ⑤ Doppio isolamento (non è necessario alcun cavo di terra)
- ⑥ Non gettare l'utensile tra i rifiuti domestici

#### USO

- Cambio di accessori ⑦
  - ! **estrarre la spina dalla presa**
  - rimuovere/montare l'accessorio richiesto come illustrato
  - assicurarsi che le aperture dell'accessorio si incastrino nelle linguette della testa dell'utensile (qualsiasi posizione d'incastro possibile)
  - montare l'accessorio con il centro depresso verso il basso
  - allentare/fixare le vite B con la chiave esagonale A
  - **verificare che l'accessorio sia fissato saldamente** (accessori fissati male o non saldamente possono allentarsi durante l'uso e causare pericoli)
- Montaggio del foglio abrasivo ⑧
  - sbattere il VELCRO del platorello C per rimuovere la polvere prima di applicare il foglio abrasivo
  - montare il foglio abrasivo VELCRO D come illustrato
  - ! **per non ostacolare l'aspirazione impiegare solo foglio abrasivo perforato**
  - ! **i fori del foglio devono corrispondere ai fori della piastra**
  - ! **sostituire il foglio abrasivo consumato per tempo**
  - ! **usare l'utensile sempre con l'intera superficie di VELCRO coperta da foglio abrasivo**
- Aspirazione della polvere ⑨
  - ! **estrarre la spina dalla presa**
  - usare il dispositivo per l'estrazione della polvere E solo quando si utilizza il platorello C
  - montare il dispositivo per l'estrazione della polvere E come illustrato
  - montare l'aspirapolvere
  - ! **non usare il dispositivo per l'estrazione della polvere/l'aspirapolvere durante al smerigliatura di metallo**
  - pulire il dispositivo per l'estrazione della polvere E

regolarmente per ottenere una raccolta della polvere ottimale

- **Accesso/spento**
  - Per accendere/spagnere l'utensile, spingere l'interruttore F ② nella posizione "I"/"O"
- ! **prima che l'accessorio raggiunga il pezzo in lavorazione, l'utensile deve girare a piena velocità**
- ! **prima di spegnere l'utensile, dovreste sollevarlo dal pezzo di lavorazione**
- **Regolare la velocità di lavoro ⑩**
  - con la rotella G è possibile regolare la frequenza d'oscillazione richiesta, da bassa (1) ad alta (6) (anche mentre l'utensile è in uso)
  - la velocità di esercizio ottimale dipende dal materiale e può essere stabilita mediante prove pratiche
- **Spia LED J ⑪**
  - La spia LED J si accende automaticamente quando si attiva l'interruttore F
- **Tenuta e guida dell'utensile ⑫**
  - ! **durante la lavorazione, impugnare l'utensile sempre in corrispondenza della(e) area(e) grigia(e)**
  - tenere scoperte le feritoie di ventilazione H
  - non applicare troppa pressione sull'utensile (una pressione eccessiva farà riscaldare troppo la punta e ne accorcerà la durata)
- Accessorio di regolazione della profondità M (DEPTH STOP) (non incluso di serie) ⑬

## CONSIGLIO PRATICO

- Per risultati ottimali su diversi materiali, la tabella ⑭ può essere usata come riferimento per determinare il giusto accessorio (**accessori non inclusi di serie**)
- Per ulteriori consigli consultare il sito [www.skil.com](http://www.skil.com)

## MANUTENZIONE / ASSISTENZA

- Questo utensile non è inteso per un uso professionale
- Tenete sempre puliti utensile e cavo (soprattutto le feritoie di ventilazione H ②)
  - ! **prima di pulire estrarre la spina dalla presa**
- Se nonostante gli accurati procedimenti di produzione e di controllo l'utensile dovesse guastarsi, la riparazione va fatta effettuare da un punto di assistenza autorizzato per gli elettrotensili SKIL
  - inviare l'utensile **non smontato** assieme alle prove di acquisto al rivenditore oppure al più vicino centro assistenza SKIL (l'indirizzo ed il disegno delle parti di ricambio dell'utensile sono riportati su [www.skil.com](http://www.skil.com))
- Tenere presente che danni causati da sovraccarico o utilizzo improprio sono esclusi dalla garanzia (per le condizioni di garanzia SKIL, visitare il sito [www.skil.com](http://www.skil.com) o contattare il proprio rivenditore)

## TUTELA DELL'AMBIENTE

- **Non gettare l'elettrotensile, gli accessori e l'imballaggio con i rifiuti domestici** (solo per Paesi UE)
  - secondo la Direttiva Europea 2012/19/CE sui rifiuti di utensili elettrici ed elettronici e la sua attuazione in conformità alle norme nazionali, gli elettrotensili esausti devono essere raccolti separatamente, al fine di essere reimpiegati in modo eco-compatibile
  - il simbolo ⑥ vi ricorderà questo fatto in fase di smaltimento

## RUMOROSITÀ / VIBRAZIONE

- Misurato secondo EN 62841, il livello di pressione sonora garantito di questo utensile è di 86,5 dB(A), il livello di rumorosità è di 97,5 dB(A) (incertezza K = 3 dB) e il livello delle vibrazioni di \* (somma vettoriale di tre direzioni; incertezza K = 1.5 m/s<sup>2</sup>)
  - \* durante la levigatura 3.4 m/s<sup>2</sup>
- Il livello di emissione delle vibrazioni è stato misurato in conformità a un test standardizzato stabilito dalla norma EN 62841; questo valore può essere utilizzato per mettere a confronto un l'utensile con un altro o come valutazione preliminare di esposizione alla vibrazione quando si impiega l'utensile per le applicazioni menzionate
  - se si utilizza l'utensile per applicazioni diverse, oppure con accessori differenti o in scarse condizioni, il livello di esposizione potrebbe **aumentare** notevolmente
  - i momenti in cui l'utensile è spento oppure è in funzione ma non viene effettivamente utilizzato per il lavoro, possono contribuire a **ridurre** il livello di esposizione
- ! **protegersi dagli effetti della vibrazione effettuando la manutenzione dell'utensile e dei relativi accessori, mantenendo le mani calde e organizzando i metodi di lavoro**

H

## Többfunkciós szerszám

1491

## BEVEZETÉS

- Ez a szerszám, fa, műanyag, vakolat, fém és lágy falú csempék fűrészelésére és vágásra alkalmas, valamint használható kis felületek száraz csiszolására és hántolására
- A készülőék különösen jól alkalmazható a munkadarab szélén és felületekkel egy síkban végzett munkákhoz
- A szerszám nem professzionális használatra készült
- A szerszámmal a legtöbb általánosan elérhető, többfunkciós szerszámmal készített tartozék is használható, beleértve a jelenlegi OIS és Starlock márkájú tartozékokat is ③
- Olvassa el figyelmesen és őrizze meg a használati utasítást ④

## MŰSZAKI ADATOK ①

## SZERSZÁMGÉP ELEMEI ②

- A Hatszögkulcs
  - B Lefogócsavar alátétlél
  - C Csiszoló alátétlap
  - D Csiszolópapír
  - E Porelszívó eszköz
  - F Be/ki kapcsológomb
  - G Sebességszabályzó kerék
  - H Szellőzőnyílások
  - J LED-fény
  - K Kőrszeletes (segment) fűrészlap \*
  - L Beszűrő fűrészlap
  - M Mélység beállító tartozék \*
- \* NEM STANDARD TARTOZÉK

# BIZTONSÁG

## ÁLTALÁNOS BIZTONSÁGI ELŐÍRÁSOK AZ ELEKTROMOS KÉZISZERSZÁMOKHOZ

**FIGYELMEZTETÉS** Olvassa el a szerszámgéphez tartozó biztonsági figyelmeztetéseket, utasításokat, ábrákat és specifikációkat. Az alábbi utasítások figyelmen kívül hagyása elektromos áramütéshez, tűzhöz és/vagy súlyos balesethez vezethet.

**Őrizze meg a jövőbeli használatra is valamennyi biztonsági előírást és utasítást.**

Az alább alkalmazott "elektromos kéziszerszám" fogalom a hálózati elektromos kéziszerszámokat (hálózati csatlakozó kábel) és az akkumulátoros elektromos kéziszerszámokat (hálózati csatlakozó kábel nélkül) foglalja magában.

### 1) MUNKAHELYI BIZTONSÁG

- Tartsa tisztán és tartsa rendben a munkahelyét.** Rendetlen munkahelyek vagy megvilágítatlan munkaterületek balesetekhez vezethetnek.
- Ne dolgozzon az elektromos kéziszerszámmal olyan robbanásveszélyes környezetben, ahol éghető folyadékok, gázok vagy porok vannak.** Az elektromos kéziszerszámok szikrákat bocsáthatnak ki, amelyek meggyújthatják a port vagy a gőzöket.
- Tartsa távol a gyerekeket és az idegen személyeket a munkahelytől, ha az elektromos kéziszerszámot használja.** Ha elvonják a figyelmét a munkától, könnyen elvesztheti az uralmát a berendezés felett.

### 2) ELEKTROMOS BIZTONSÁGI ELŐÍRÁSOK

- A készülék csatlakozó dugójának bele kell illeszkednie a dugaszolóaljzatba. A csatlakozó dugót semmilyen módon sem szabad megváltoztatni. Védőföldeléssel ellátott készülékekkel kapcsolatban ne használjon csatlakozó adaptert.** A változtatás nélküli csatlakozó dugók és a megfelelő dugaszoló aljzatok csökkentik az áramütés kockázatát.
- Ne érjen hozzá földelt felületekhez, mint csövekhez, fűtőtestekhez, kályhákhoz és hűtőszekrényekhez.** Az áramütési veszély megnövekszik, ha a teste le van földelve.
- Tartsa távol az elektromos kéziszerszámot az esőtől és a nedvesség hatásaitól.** Ha víz hatol be egy elektromos kéziszerszámba, ez megnöveli az áramütés veszélyét.
- Ne használja a kábelt a rendeltetésétől eltérő célokra, vagyis a szerszámot soha ne hordozza vagy akassza fel a kábelnél fogva, és soha ne húzza ki a hálózati csatlakozó dugót a kábelnél fogva. Tartsa távol a kábelt hőforrásoktól, olajtól, éles élektől, sarkaktól és mozgó gépelektől.** Egy megrongálódott vagy csomókkal teli kábel megnöveli az áramütés veszélyét.
- Ha egy elektromos kéziszerszámmal a szabad ég alatt dolgozik, csak a szabadban való használatra engedélyezett hosszabbítót használjon.** A szabadban való használatra engedélyezett hosszabbító használat csökkenti az áramütés veszélyét.
- Ha nem lehet elkerülni az elektromos kéziszerszám nedves környezetben való használatát, alkalmazzon**

egy földzárlat megszakítót. Egy földzárlat megszakító alkalmazása csökkenti az áramütés kockázatát.

### 3) SZEMÉLYI BIZTONSÁGI ELŐÍRÁSOK

- Munka közben mindig figyeljen, ügyeljen arra, amit csinál, és meggondoltan dolgozzon az elektromos kéziszerszámmal.** Ha fáradt, ha kábítószerek vagy alkohol hatása alatt áll, vagy orvosságokat vett be, ne használja a berendezést. A berendezéssel végzett munka közben már egy pillanatnyi figyelmetlenség is komoly sérülésekhez vezethet.
  - Viseljen személyi védőfelszerelést és mindig viseljen védőszemüveget.** A személyi védőfelszerelések, mint porvédő álarc, csúszásbiztos védőcipő, védősapka és fülvédő használata az elektromos kéziszerszám használatát jellegének megfelelően csökkenti a személyes sérülések kockázatát.
  - Kerülje el a készülék akaratlan üzembe helyezését. Győződjön meg arról, hogy az elektromos kéziszerszám ki van kapcsolva, mielőtt bedugná a csatlakozó dugót a dugaszolóaljzatba, csatlakoztatná az akkumulátor-csomagot, és mielőtt felvenné és vinni kezdené az elektromos kéziszerszámot.** Ha az elektromos kéziszerszám felemelése közben az újját a kapcsolón tartja, vagy ha a készüléket bekapcsolt állapotban csatlakoztatja az áramforráshoz, ez balesetekhez vezethet.
  - Az elektromos kéziszerszám bekapcsolása előtt okvetlenül távolítsa el a beállító szerszámokat vagy csavarkulcsokat.** Az elektromos kéziszerszám forgó részeiben felejtett beállító szerszám vagy csavarkulcs sérüléseket okozhat.
  - Ne becsülje túl önmagát. Kerülje el a normálistól eltérő testtartást, ügyeljen arra, hogy mindig biztosan álljon és az egyensúlyát megtartsa.** Így az elektromos kéziszerszám felett váratlan helyzetekben is jobban tud uralkodni.
  - Viseljen megfelelő ruhát. Ne viseljen bő ruhát vagy ékszereket. Tartsa távol a haját és a ruháját a mozgó részekről.** A bő ruhát, az ékszereket és a hosszú haját a mozgó alkatrészek magukkal rántathatják.
  - Ha az elektromos kéziszerszámra fel lehet szerelni a por elszívásához és összegyűjtéséhez szükséges berendezéseket, ellenőrizze, hogy azok megfelelő módon hozzá vannak kapcsolva a készülékhez és rendeltetésüknek megfelelően működnek.** A porgyűjtő berendezések használata csökkenti a munka során keletkező por veszélyes hatását.
  - Ne hagyja, hogy az elektromos kéziszerszám gyakori használat során szerzett tapasztalatok olyan önelégültté tegyék, hogy figyelmen kívül hagyja az idevonatkozó biztonsági alapelveket.** Egy gondatlan művelet egy másodperc törtrésze alatt súlyos sérüléseket okozhat.
- ### 4) AZ ELEKTROMOS KÉZISZERSZÁMOK GONDOS KEZELÉSE ÉS HASZNÁLATA
- Ne terhelje túl az elektromos kéziszerszámot. A munkájához csak az arra szolgáló elektromos kéziszerszámot használja.** Egy alkalmas elektromos kéziszerszámmal a megadott teljesítménytartományon belül jobban és biztonságosabban lehet dolgozni.
  - Ne használjon olyan elektromos kéziszerszámot, amelynek a kapcsolója elromlott.** Egy olyan

elektromos kéziszerszám, amelyet nem lehet sem be-, sem kikapcsolni, veszélyes és meg kell javíttatni.

- c) **Húzza ki a csatlakozó dugót a dugaszolóaljzatból és/vagy távolítsa el az akkumulátor-csomagot (ha az leválasztható) az elektromos kéziszerszámtól, mielőtt az elektromos kéziszerszámon beállítási munkákat végez, tartozékokat cserél vagy a szerszámot tárolásra elteszi.** Ez az elővigyázatossági intézkedés meggátolja a szerszám akaratlan üzembe helyezését.
- d) **A használaton kívüli elektromos kéziszerszámokat olyan helyen tárolja, ahol azokhoz gyerekek ne férhessenek hozzá. Ne hagyja, hogy olyan személyek használják az elektromos kéziszerszámot, akik nem ismerik a szerszámot, vagy nem olvasták el ezt az útmutatót.** Az elektromos kéziszerszámok veszélyesek, ha azokat gyakorlatlan személyek használják.
- e) **Az elektromos kéziszerszámot és tartozékait gondosan tartsa karban. Ellenőrizze, hogy a mozgó alkatrészek kifogástalanul működnek-e, nincsenek-e beszorulva, és nincsenek-e eltörve vagy megrongálódva olyan alkatrészek, amelyek hatással lehetnek az elektromos kéziszerszám működésére.** A megrongálódott részeket a készülék használata előtt javíttassa meg. Sok olyan baleset történik, amelyet az elektromos kéziszerszám nem kielégítő karbantartására lehet visszavezetni.
- f) **Tartsa tisztán és éles állapotban a vágószerszámokat.** Az éles vágóélekkel rendelkező és gondosan ápolott vágószerszámok ritkábban ékelődnek be és azokat könnyebben lehet vezetni és irányítani.
- g) **Az elektromos kéziszerszámokat, tartozékokat, betétszerszámokat stb. csak ezen előírásoknak használja. Vegye figyelembe a munkafeltételeket és a kivitelezendő munka sajátosságait.** Az elektromos kéziszerszám eredeti rendeltetésétől eltérő célokra való alkalmazása veszélyes helyzetekhez vezethet.
- h) **Tartsa szárazon, tisztán és olaj- és zsírmentes állapotban a fogantyúkat és markoló felületeket.** A csúszós fogantyúk és markoló felületek váratlan helyzetekben lehetetlenné teszik az elektromos kéziszerszám biztonságos kezelését és irányítását.
- 5) **SZERVIZ**
- a) **Az elektromos kéziszerszámot csak szakképzett személyzet és csak eredeti pótalkatrészek felhasználásával javíthatja.** Ez biztosítja, hogy az elektromos kéziszerszám biztonságos szerszám maradjon.

## **BIZTONSÁGI UTASÍTÁSOK TÖBBFUNKCIÓS SZERSZÁMGÉPEKHEZ**

### **ÁLTALÁNOS TUDNIVALÓK**

- A készüléket csak 16 éven felüli személyek használják
- Használjon teljesen letekerített és biztonságos hosszabbítókábelt, 16 A-es teljesítménnyel
- Mindig ellenőrizze, hogy a hálózati feszültség megegyezik-e a szerszám adattábláján feltüntetett értékkel
- Ügyeljen arra, hogy a munkadarabban lévő csavar, szög vagy hasonló sérüléseket ne okozhasson; a munka megkezdése előtt eltávolítandó

- például az ólmot, néhány fafajtát, ásványi anyagokat és fémeket tartalmazó festékek) káros lehet (a por érintése vagy belégzése allergiás reakciókat és/vagy légzőszervi betegségeket okozhat a kezelő, illetve a közelben állók esetében); **viseljen pormaszkot és amennyiben csatlakoztatható, dolgozzon porszívó berendezéssel**
- Bizonyos porfajták rákkeltő besorolással rendelkeznek (ilyen például a tölgly- és a bükkfa pora), különösen a fa kondicionálására szolgáló adalékokkal együtt; **viseljen pormaszkot és amennyiben csatlakoztatható, dolgozzon porszívó berendezéssel**
- Kövesse a por kezelésével kapcsolatos helyi előírásokat azon termékkel kapcsolatosan, amellyel dolgozni kíván
- **Szorítóval vagy más praktikus módon rögzítse, és támassza meg a munkadarabot egy stabil tartóállványon** (ha csak a kezével tartja vagy a testéhez szorítja a munkadarabot, elveszítheti a stabilitást, valamint az uralmat a gép felett)
- **Ne munkáljon meg a berendezéssel azbesztt tartalmazó anyagokat** (az azbeszttnek rákkeltő hatása van)
- **A készülék véletlenszerű indításának elkerülése érdekében mindig távolítsa el az áramforrás dugaszát a készülékből, mielőtt bármely beállítási műveletet vagy tartozékcserét végezne**
- Tartsa mindig két kézzel, erősen a gépet, s válasszon stabil és biztonságos
- A gép mozgó részétől mindig tartsa távol az elektromos kábelt; terelje a tápkábelt a gép hátulja felé, a géptől elfelé
- **Tartozékok cseréjéhez használjon védőkesztyűt** (a tartozék érintése sérülésekhez vezethet)
- Normálístól eltérő működés valamint szokatlan, idegen hangok esetén a készüléket azonnal kapcsolja ki és a kábelt húzza ki a fali dugaszoló aljzatból
- Ha a kábel munka közben megsérül vagy el van vágva, ne érjen a kábelhoz, hanem azonnal húzza ki a konektorból
- Soha ne használja a szerszámot, ha a kábel sérült; ilyen esetben azt egy speciális kábelre kell lecserélni, amely a SKIL elektromos kéziszerszám-műhely ügyfélszolgálatánál érhető el, a munkálatot pedig egy képesítéssel rendelkező szakembernek kell elvégeznie
- A gépet soha ne hagyja szakembertől állapotban, ha már nem dolgozik vele

### **FŰRÉSZELÉS/NÉL/VÁGÁSNÁL**

- **Az elektromos kéziszerszámot csak a szigetelt fogantyúfelületeknél fogva tartsa, ha olyan munkát végez, amelynek során a betétszerszám feszültség alatt álló, kívülről nem látható vezetékhez, vagy a készülék saját hálózati csatlakozó kábeljéhez érhet** (ha a berendezés egy feszültség alatt álló vezetékhez ér, az elektromos kéziszerszám bémérési szintjén feszültség alá kerülhetnek és áramütéshez vezethetnek)
- **Kezét tartsa távol a vágófelülettől;** vágás közben soha se nyúljon semmilyen okból az anyag alá
- **A rejtett vezeték felkutatásához használjon alkalmas fémkereső készüléket, vagy kérje ki a helyi energiaellátó vállalat tanácsát** (ha egy elektromos vezetékkel a berendezéssel megérint, ez tűzhöz és áramütéshez vezethet; egy gázvezeték megrongálása robbanást eredményezhet; egy vízvezetékbe való behatolás anyagi károkhoz és áramütéshez vezethet)
- Ne használjon repedt, deformált vagy tompa fűrészlapot

## CSISZOLÁSNÁL

- **A gépet csak száraz csiszolásra használja** (víz bejutása a gépbe megnöveli az elektromos áramütés kockázatát)
- Ne nyúljon a mozgásban lévő csiszoló papír
- Ne üzemeltesse a csiszológépet kopott, szakadt vagy erősen szoruló csiszoló papír
- Fém csiszolásakor szikra keletkezik; ne használjon porszívót; ügyeljen arra, hogy senki ne tartózkodjon a munkaterületen, és ne legyen a közelben gyúlékony anyag

## A SZERSZÁMON TALÁLHATÓ SZIMBÓLUMOK MAGYARÁZATA

- ③ A szerszámmal a legtöbb általánosan elérhető, többfunkciós szerszámhoz készített tartozék is használható, beleértve a jelenlegi OIS és Starlock márkájú alaptartozékokat is
- ④ Használat előtt olvassa el a használati utasítást
- ⑤ Kettős szigetelés (földelővezeték nem szükséges)
- ⑥ A gépet ne dobja a háztartási szemétkébe

## KEZELÉS

- A tartozékok cseréje ⑦
  - ! **húzzuk ki a kábel dugóját a csatlakozó aljzatból**
  - szerelje le/szerelje fel a kívánt tartozékot az ábra szerint
  - gondoskodjon arról, hogy a tartozék nyílásai bekapcsolódjanak a szerszámfej füléibe (bármilyen beakasztott helyzet lehetséges)
  - szerelje fel a tartozékot úgy, hogy a benyomott középpont lefelé mutasson
  - lazítsa/rögzítse a csavart B hatszögletű kulccsal A
  - ! **ellenőrizze a tartozék szoros felfekvését** (helytelen vagy nem biztonságosan rögzített tartozékok kilazulhatnak működés közben, és veszélyt okozhatnak)
- Csiszolópapír rögzítés ⑧
  - tisztítsa le a port a csiszolótalpon C lévő VELCRO anyagról a csiszolópapír rögzítése előtt
  - helyezze fel a VELCRO csiszolópapírt D az ábra alapján
  - ! **a porelszíváshoz perforált, lyukacsos csiszolópapírra van szüksége**
  - ! **a csiszolópapíron lévő perforálásoknak a csiszolótalpon lévő lyukakkal egybe kell esniük**
  - ! **az elhasznált csiszolópapírt időben ki kell cserélni**
  - ! **a készüléket mindig úgy használja, hogy a VELCRO felületet fedje a csiszolópapír**
- Por elszívás ⑨
  - ! **húzzuk ki a kábel dugóját a csatlakozó aljzatból**
  - a porelszívó eszközt E csak akkor használja, ha a csiszolótalppal C dolgozik
  - az E porszívó egységet szerelje fel az ábrán látható módon
  - dugja be a porszívót
  - ! **ne használjon porelszívó eszközt/porszívót fém csiszolásakor**
  - a porelszívó eszköz rendszeres E ürítése segíti az optimális porgyűjtést
- Be/Ki
  - a szerszám ki-/bekapcsolása a F ② kapcsoló "I"/"O" pozícióba állításával történik
  - ! **mielőtt a készüléket a munkadarabra/ba vezetné, várja meg, amíg a motor a maximális fordulatszámot eléri**

## ! **ki kapcsolás előtt készülékét távolítsa el a munkadarabtól**

- A megmunkálási sebesség beállítása ⑩
  - a G kerék segítségével állítható be fokozatmentesen a legnagyobb fordulatszám, az alacsonytól (1) a legmagasabbig (6) (a szerszám működése közben is állítható)
  - az optimális sebesség az anyagtól függ, és próbálkozásokkal határozható meg
- LED-fény J ⑪
  - A LED-fény J a kapcsoló aktiválásakor automatikusan kigyullad F
- A gép vezetése és tartása ⑫
  - ! **munka közben mindvégig tartsa gépet a szürke színű markolati terület(ek)en**
  - a szellőzőnyílásokat H mindig tartsa szabadon
  - ne nyomja túlságosan a szerszámot (a túl erős nyomás túlzott hőtermeléssel jár, és megrövidítheti a marószár élettartamát)
- Mélység beállító tartozék M (DEPTH STOP) **(nem standard tartozék)** ⑬

## HASZNÁLAT

- A különböző anyagok megmunkálása esetén, a legjobb eredmény érdekében használja a táblázatot ⑭ a megfelelő tartozék kiválasztásához **(a tartozékok nincsenek mellékelve)**
- A [www.skil.com](http://www.skil.com) címen még több ötletet és javaslatot talál

## KARBANTARTÁS / SZERVIZ

- A szerszám nem professzionális használatra készült
- Mindig tartsa tisztán a gépet és a vezetéket (különös tekintettel a szellőzőnyílásokra H ⑫)
- ! **tisztítás előtt húzza ki a csatlakozódugót**
- Ha a gép a gondos gyártási és ellenőrzési eljárás ellenére egyszer mégis meghibásodna, akkor a javítással csak SKIL elektromos kéziszerszám-műhely ügyfélszolgálatát szabad megbízni
  - küldje az **összeszerelt** gépet a vásárlást bizonyító számlával együtt a kereskedő vagy a legközelebbi SKIL szervizállomásra címére (a címlista és a gép szervizdiagramja a [www.skil.com](http://www.skil.com) címen található)
- Vegye figyelembe, hogy a garancia nem fedei le a túlterhelés és a gép helytelen használata miatt okozott árokat (a SKIL garanciális feltételeit elolvashatja a [www.skil.com](http://www.skil.com) oldalon, vagy kérdezze meg kereskedőjét)

## KÖRNYEZET

- **Az elektromos kéziszerszámokat, tartozékokat és csomagolást ne dobja a háztartási szemétkébe** (csak EU-országok számára)
  - a használt villamos és elektronikai készülékekről szóló 2012/19/EK iránylevél és annak a nemzeti jogba való átültetése szerint az elhasznált elektromos kéziszerszámokat külön kell gyűjteni, és környezetbarát módon újra kell hasznosítani
  - erre emlékeztet a ⑥ jelzés, amennyiben felmerül az intézkedésre való igény

## ZAJ / REZGÉS

- Az EN 62841-es szabványnak megfelelően végzett mérés szerint a szerszám hangnyomása 86,5 dB(A), hangerőszintje 97,5 dB(A) (bizonytalanság K = 3 dB),



a vibráció pedig \* (háromtengelyű vektor összege; bizonytalanság  $K = 1,5 \text{ m/s}^2$ )

\* csiszolás közben  $3.4 \text{ m/s}^2$

- A rezgés-kibocsátási szint mérése az EN 62841 szabványban meghatározott szabványosított teszttel összhangban történik; ez egy eszköznél egy másik eszközzel történő összehasonlítására, illetve a rezgésnek való kitettség előzetes felmérésére használható fel az eszköznél az említett alkalmazásokra történő felhasználása során
  - az eszköznél eltérő alkalmazásokra, vagy eltérő, illetve rosszul karbantartott tartozékokkal történő felhasználása jelentősen **emelheti** a kitettség szintjét
  - az idő, amikor az eszköz ki van kapcsolva, vagy amikor ugyan működik, de ténylegesen nem végez munkát, jelentősen **csökkentheti** a kitettség szintjét
- ! **az eszköz és tartozékai karbantartásával, kezeinek melegen tartásával, és munkavégzésének megszervezésével védje meg magát a rezgések hatásaitól**

CZ

## Multifunkční nářadí

1491

### ÚVOD

- Tento nástroj je určen k řezání dřeva, plastů, omítky, kovů a měkkých obkládaček a též k broušení za sucha a zaškrabávání malých ploch
- Je zvláště vhodné pro práce blízko okrajů a zarovnávání do roviny
- Tento nástroj není určen k profesionálnímu použití
- Tento nástroj lze použít s většinou běžně dostupného příslušenství pro více nástrojů, včetně existujících příslušenství OIS a Starlock ③
- Tento návod s pokyny si pečlivě přečtete a uschovejte ④

### TECHNICKÁ DATA ①

### SOUČÁSTI NÁSTROJE ②

- A Šestihřanný klíč
- B Upínací šroub s podložkou
- C Pískovací podložka
- D Brusný papír
- E Zařízení na odsávání prachu
- F Spínač "zapnuto/vypnuto"
- G Kolečko pro výběr rychlosti
- H Větrací šterbiny
- J LED-kontrolka
- K Segmentový pilový list \*
- L Zapichovací pilový list
- M Příslušenství k nastavení hloubky \*

\* NENÍ STANDARDNÍ SOUČÁSTÍ

### BEZPEČNOST

#### OBECNÉ BEZPEČNOSTNÍ POKYNY PRO ELEKTRONÁŘADÍ

**VAROVÁNÍ** Přečtete si veškerá bezpečnostní upozornění, pokyny, obrázky a technické údaje, které jsou s tímto elektrickým nástrojem dodávány.

Nedodržení všech níže uvedených pokynů může vést k úrazu elektrickým proudem, požáru a/nebo vážnému zranění.

#### Všechny pokyny a výstrahy uchovejte pro budoucí potřeby.

Ve varovných upozorněních použitý pojem "elektronářadí" se vztahuje na elektronářadí provozované na el. síti (se síťovým kabelem) a na elektronářadí provozované na akumulátoru (bez síťového kabelu).

#### 1) BEZPEČNOST PRACOVNÍHO MÍSTA

##### a) Udržujte Vaše pracovní místo čisté a uklizené.

Nepořádek nebo neosvětlené pracovní oblasti mohou vést k úrazům.

##### b) Se strojem nepracujte v prostředích ohrožených explozí, kde se nacházejí hořlavé kapaliny, plyny nebo prach. Elektronářadí vytváří jiskry, které mohou prach nebo páry zapálit.

##### c) Děti a jiné osoby udržujte při použití elektronářadí daleko od Vašeho pracovního místa. Při rozptýlení můžete ztratit kontrolu nad strojem.

#### 2) ELEKTRICKÁ BEZPEČNOST

##### a) Připojovací zástrčka stroje musí lícovat se zásuvkou. Zástrčka nesmí být žádným způsobem upravena. Společně se stroji s ochranným uzemněním nepoužívejte žádné adaptérové zástrčky. Neupravené zástrčky a vhodné zásuvky snižují riziko elektrického úderu.

##### b) Zabraňte kontaktu těla s uzemněnými povrchy, jako např. potrubí, topení, sporáky a chladničky. Je-li Vaše tělo uzemněno, existuje zvýšené riziko elektrického úderu.

##### c) Chraňte stroj před deštěm a vlhkem. Vniknutí vody do elektrického stroje zvyšuje nebezpečí elektrického úderu.

##### d) Dbejte na účel kabelu, nepoužívejte jej k nošení či zavěšení stroje nebo vytažení zástrčky ze zásuvky. Udržujte kabel daleko od tepla, oleje, ostrých hran nebo pohyblivých dílů stroje. Poškozené nebo spletené kabely zvyšují riziko elektrického úderu.

##### e) Pokud pracujete s elektronářadím venku, použijte pouze takové prodlužovací kabely, které jsou schváleny i pro venkovní použití. Použití prodlužovacího kabelu, jež je vhodný pro použití venku, snižuje riziko elektrického úderu.

##### f) Pokud se nelze vyhnout provozu elektronářadí ve vlhkém prostředí, použijte ochranný jistič. Nasazení ochranného jističe snižuje riziko úderu elektrickým proudem.

#### 3) BEZPEČNOST OSOB

##### a) Buďte pozorní, dávejte pozor na to, co děláte a přistupujte k práci s elektronářadím rozumně. Stroj nepoužívejte pokud jste unaveni nebo pod vlivem drog, alkoholu nebo léků. Moment nepozornosti při použití elektronářadí může vést k vážným poraněním.

##### b) Noste osobní ochranné pomůcky a vždy ochranné brýle. Nošení osobních ochranných pomůcek jako maska proti prachu, bezpečnostní obuv s protiskluzovou podrážkou, ochranná přilba nebo sluchátka, podle druhu nasazení elektronářadí, snižují riziko poranění.

##### c) Zabraňte neúmyslnému uvedení do provozu. Přesvědčte se, že je elektronářadí vypnuté dříve než

je uchopíte, ponese te či připojíte na zdroj proudu a/ nebo akumulátor. Máte-li při nošení elektronářadí prst na spínači nebo pokud stroj připojíte ke zdroji proudu zapnutý, pak to může vést k úrazům.

- d) **Než stroj zapnete, odstraňte seřizovací nástroje nebo šroubovák.** Nástroj nebo klíč, který se nachází v otáčivém dílu stroje, může vést k poranění.
- e) **Nepřeceňujte se. Zajistěte si bezpečný postoj a vždy udržujte rovnováhu.** Tím můžete stroj v neočekávaných situacích lépe kontrolovat.
- f) **Noste vhodný oděv. Nenoste žádný volný oděv nebo šperky. Vlasy a oděv udržujte daleko od pohyblivých se dílů.** Volný oděv, šperky nebo dlouhé vlasy mohou být zachyceny pohyblivými se díly.
- g) **Lze-li namontovat odsávací či zachycující přípravky, přesvědčte se, že jsou připojeny a správně použity.** Použití odsávání prachu může snížit ohrožení prachem.
- h) **Dbejte na to, abyste při častém používání nářadí nebyli méně ostražití a nezapomínali na bezpečnostní zásady.** Nedbalé ovládání může způsobit těžké poranění za zlomek sekundy.

#### 4) SVĚDOMITÉ ZACHÁZENÍ A POUŽÍVÁNÍ ELEKTRONÁŘADÍ

- a) **Stroj nepřetěžujte. Pro svou práci použijte k tomu určený stroj.** S vhodným elektronářadím budete pracovat v udané oblasti výkonu lépe a bezpečněji.
  - b) **Nepoužívejte žádné elektronářadí, jehož spínač je vadný.** Elektronářadí, které nelze zapnout či vypnout je nebezpečné a musí se opravit.
  - c) **Než provedete seřízení stroje, výměnu dílů příslušenství nebo stroj odložte, vytáhněte zástrčku ze zásuvky a/nebo odstraňte odpojitelny akumulátor.** Toto preventivní opatření zabrání neúmyslnému zapnutí stroje.
  - d) **Uchovávejte nepoužívané elektronářadí mimo dosah dětí. Nenechte stroj používat osobám, které se strojem nejsou seznámeny nebo nečetly tyto pokyny.** Elektronářadí je nebezpečné, je-li používáno nezkušenými osobami.
  - e) **Pečujte o elektronářadí a příslušenství svědomitě. Zkontrolujte, zda pohyblivé díly stroje bezvadně fungují a nevzpřichují se, zda díly nejsou zlomené nebo poškozené tak, že je omezena funkce stroje. Poškozené díly nechte před nasazením stroje opravit.** Mnoho úrazů má příčinu ve špatně udržovaném elektronářadí.
  - f) **Rezné nástroje udržujte ostré a čisté.** Pečlivě ošetřované rezné nástroje s ostrými reznými hranami se méně vzpřichují a dají se lehčeji vést.
  - g) **Používejte elektronářadí, příslušenství, nasazovací nástroje apod. podle těchto pokynů. Respektujte přitom pracovní podmínky a prováděnou činnost.** Použití elektronářadí pro jiné než určující použití může vést k nebezpečným situacím.
  - h) **Udržujte rukojeti a úchytné plochy suché, čisté a bez oleje a maziva.** Kluzké rukojeti a úchytné plochy neumožňují bezpečnou manipulaci a ovládání nářadí v neočekávaných situacích.
- #### 5) SERVIS
- a) **Nechte Váš stroj opravit pouze kvalifikovaným odborným personálem a pouze s originálními náhradními díly.** Tím bude zajištěno, že bezpečnost stroje zůstane zachována.

## BEZPEČNOSTNÍ POKYNY PRO MULTIFUNKČNÍ NÁŘADÍ

### OBECNĚ

- Tento nástroj nesmí používat osoby mladší 16 let
- Používejte zcela rozvinuté a bezpečné prodlužovací šňůry o kapacitě 16 ampér
- Vždy zkontrolujte, zda je napájecí napětí stejné jako napětí uvedené na typovém štítku nástroje
- Vrtáčku nepoužívejte je-li navlhla a nepracujte v blízkosti snadno zápalných nebo výbušných materiálů; před zahájením práce je odstraňte
- Prach z látek, jako jsou barvy obsahující olovo, některé druhy dřeva, minerály a kovy, může být škodlivý (kontakt s prachem nebo jeho vdechnutí může způsobit alergickou reakci a/nebo vyvolat respirační choroby u obsluhy nebo přihlížejících); **nošte protiprachovou masku a pracujte se zařízením na odsávání prachu, pokud je možné jej připojit**
- Některé druhy prachu jsou klasifikovány jako karcinogenní (například dubový a bukový prach) zejména ve spojení s přísadami pro úpravu dřeva; **nošte protiprachovou masku a pracujte se zařízením na odsávání prachu, pokud je možné jej připojit**
- Dodržujte stanovená nařízení pro práci v prašném prostředí
- **Pomocí svorek nebo jiným vhodným způsobem upevněte obráběný díl na stabilní podložku** (pokud jej budete při práci držet v ruce nebo opřený o tělo, bude nestabilní a můžete nad ním ztratit kontrolu)
- **Nepracovávají žádné materiál obsahující azbest (azbest je karcinogenní)**
- **Při pracovních přestávkách nebo před čištěním, údržbou, seřizováním a výměnou příslušenství vždy odpojte zástrčku z elektrické zásuvky, abyste eliminovali riziko náhodného spuštění nářadí**
- Při práci nástroj držte vždy oběma rukama a pevně se postavte
- Šňůru udržujte vždy mimo dosah pohyblivých částí nástroje; šňůru nasměrujte dozadu, pryč od nástroje
- **Při výměně příslušenství používejte ochranné rukavice** (kontakt s příslušenstvím může vést ke zranění)
- V případě atypického chování nebo cizích hluků ihned vypněte nářadí a vytáhněte zástrčku
- Jestliže přívodní šňůru při práci podkódate nebo poříznete, nedotýkejte se jí a okamžitě ji vytáhněte ze síťové zásuvky
- Nikdy nástroj nepoužívejte, je-li jeho přívodní šňůra poškozená; šňůra musí být vyměněna za speciálně navrženou šňůru, kterou dostanete v autorizovaném servisním středisku pro elektronářadí firmy SKIL, a tuto výměnu musí vykonat kvalifikovaná osoba
- Jakmile se hodláte vzdálit od nářadí, měl byste ho vypnout a vyčkat, dokud se pohyblivé části nezastaví

### PŘI ŘEZÁNÍ

- **Pokud provádíte práce, při kterých může nasazovací nástroj zasáhnout skryté elektrické vedení nebo vlastní síťový kabel, pak držte elektronářadí na izolovaných plochách rukojeti** (kontakt s vedením pod napětím může přivést napětí i na kovové díly elektronářadí a vést k úderu elektrickým proudem)
- **Nedotýkejte se řezané oblasti;** během řezání z žádného důvodu nikdy nesahejte pod materiál
- **Použijte vhodné hledací přístroje k vyhledání skrytých přívodních vedení nebo přizvěte místní dodavatelskou společnost** (kontakt s el. vedením může vést k požáru a elektrickému úderu; poškození plynového

vedení může vést k explozi; proniknutí do vodovodního potrubí může způsobit věcné škody nebo elektrický úder)

- Nepoužívejte pilu, je-li list prasklý, zdeformovaný nebo matný

#### PŘI PÍSKOVÁNÍ

- **Nářadí použijte pouze k suchému pískování** (vniknutí vody do nářadí zvyšuje riziko úrazu elektrickým proudem)
- Nedotýkejte se pohybujícího se brusného papíru
- Opatřované, natřené nebo zanesené brusný papír vždy ihned vyměňte
- Při broušení vznikají jiskry; nepoužívejte odsávání a pracoviště udržujte čisté a nepouštějte k němu neoprávněné osoby

#### VYSVĚTLENÍ SYMBOLŮ NA NÁŘADÍ

- ③ Tento nástroj lze použít s většinou běžně dostupného příslušenství pro více nástrojů, včetně existujících příslušenství OIS a Starlock
- ④ Před použitím si přečtěte návod k použití
- ⑤ Dvojitá izolace (není nutný zemnicí drát)
- ⑥ Nářadí nevyhazujte do komunálního odpadu

#### OBSLUHA

- Výměna příslušenství ⑦
  - ! **rozpojte přívodní šňůru**
  - potřebné příslušenství demontujte/montujte podle obrázku
  - dbejte na to, aby otvory v příslušenství zapadly do výstupků v hlavě nástroje (na poloze nezáleží)
  - příslušenství namontujte tak, aby stlačený střed směřoval dolů
  - šroub B povolujte/utahujte šestihranným klíčem A
  - **zkontrolujte těsné uchycení příslušenství** (nesprávně nebo nebezpečně upevněné příslušenství by se při práci mohlo uvolnit a vést k riziku)
- Připevňování brusného papíru ⑧
  - než upevníte brusný papír, vyklepejte prach ze suchého zipu na brusné desce C
  - upevněte brusný papír VELCRO D podle obrázku
  - ! **pro odsávání je nutné používat perforovaný brusný papír**
  - ! **otvory v brousící papíru musí souhlasit s otvory v brousící desce**
  - ! **opotřebovaný papír včas vyměňte**
  - ! **vždy nářadí používejte tak, že celý povrch suchého zipu pokryjete brusným papírem**
- Odsávání prachu ⑨
  - ! **rozpojte přívodní šňůru**
  - zařízení pro extrakci prachu E použijte pouze při práci s pískovací podložkou C
  - zařízení na odsávání prachu E namontujte podle obrázku
  - připojte vysavač
  - ! **při broušení kovů nepoužívejte zařízení na odsávání prachu/vysavač**
  - zařízení na odsávání prachu E pravidelně čistěte pro optimální odsávání
- Zapnuto/vypnuto
  - Zapněte/vypněte nářadí přepnutím vypínače F ② do poloh "I"/"O"
  - ! **nástroj přikládejte k obrobku až po dosažení maximálních otáček**

#### ! před vypnutím nářadí nejprve odejměte od obrobku

- Nastavení pracovní rychlosti ⑩
  - kolečkem G lze nastavit požadovanou oscilační frekvenci od nízké (1) až po vysokou (6) (i když se nářadí otáčí)
  - optimální pracovní rychlost závisí na daném materiálu a můžete ji zjistit praktickými pokusy
- LED-kontrolka J ⑪
  - LED-kontrolka J se automaticky rozsvítí při aktivaci spínače F
- Držení a vedení nástroje ⑫
  - ! **při práci vždy držte nástroj v šedě zbarvené oblasti rukojeti**
  - udržujte větrací štěrby H nezakryté
  - nevyvíjejte na nástroj přílišný tlak (při nadměrném tlaku se hrot nadměrně zahřívá, což může zkrátit životnost příslušenství)
- Příslušenství k nastavení hloubky M (DEPTH STOP) (**není standardní součástí příslušenství**) ⑬

#### NÁVOD K POUŽITÍ

- Za účelem zajištění optimálních výsledků s různými materiály ⑭ využijte tabulku k určení správného příslušenství (**zahrnuje i nestandardní příslušenství**)
- Další tipy najdete na [www.skil.com](http://www.skil.com)

#### ÚDRŽBA / SERVIS

- Tento nástroj není určen k profesionálnímu použití
- Nástroj a přívodní šňůru udržujte čisté (zejména větrací štěrby H ②)
  - ! **před čištěním odpojte zástrčku**
- Pokud dojde i přes pečlivou výrobu a náročnou kontrolu k poruše nástroje, světe provedení opravy autorizovanému servisnímu středisku pro elektronářadí firmy SKIL
  - zašlete nástroj **nerozebraný** spolu s potvrzením o nákupu své prodejny nebo nejbližšímu servisu značky SKIL (adresy a servisní schema nástroje najdete na [www.skil.com](http://www.skil.com))
- Uvědomte si, že na poškození způsobené přetížením nebo nesprávným zacházením se nevztahuje záruka (záruční podmínky společnosti SKIL najdete na adrese [www.skil.com](http://www.skil.com) nebo se obraťte na prodejce)

#### ŽIVOTNÍ PROSTŘEDÍ

- **Elektrické nářadí, doplňky a balení nevyhazujte do komunálního odpadu** (jen pro státy EU)
  - podle evropské směrnice 2012/19/EG o nakládání s použitými elektrickými a elektronickými zařízeními a odpovídajících ustanovení právních předpisů jednotlivých zemí se použitá elektrická nářadí, musí sbírat odděleně od ostatního odpadu a podrobit ekologicky šetrnému recyklování
  - symbol ⑥ na to upozorňuje

#### HLUČNOSTI / VIBRACÍ

- Při měření v souladu s normou EN 62841 je hladina akustického tlaku tohoto nástroje 86,5 dB(A) a hladina hlučnosti 97,5 dB(A) (nepřesnost K = 3 dB), a vibrace \* (celkové hodnoty vibrací; nepřesnost K = 1,5 m/s<sup>2</sup>)
  - \* při smrkování 3.4 m/s<sup>2</sup>

- Úroveň vibrací byla měřena v souladu se standardizovaným testem podle EN 62841; je možné ji použít ke srovnání jednoho přístroje s druhým a jako předběžné posouzení vystavování se vibracím při používání přístroje k uvedeným aplikacím
- používání přístroje k jiným aplikacím nebo s jiným či špatně udržovaným příslušenstvím může zásadně **zvýšit** úroveň vystavení se vibracím
- doba, kdy je přístroj vypnutý nebo kdy běží, ale ve skutečnosti není využíván, může zásadně **snížit** úroveň vystavení se vibracím
- ! **chráňte se před následky vibrací tak, že budete dbát na údržbu přístroje a příslušenství, budete si udržovat teplé ruce a uspořádáte si své pracovní postupy**

TR

## Çok fonksiyonlu alet 1491

### GİRİŞ

- Bu alet, ahşap, plastik, alçı, metal ve yumuşak duvar fayanslarını kesmek için tasarlanmıştır ve aynı zamanda küçük yüzeylerdeki kuru zımparalama ve rasalama işlerine de uygundur
- Bu alet özellikle kenara yakın, hizalama işlerine uygundur
- Bu alet profesyonel kullanıma yönelik değildir
- Bu alet bulunması kolay mevcut OIS ve Starlock aksesuarları dahil çok amaçlı alet aksesuarlarıyla birlikte kullanılabilir ③
- Bu kullanma kılavuzunu okuyun ve saklayın ④

## TEKNİK VERİLER ①

### ALET BİLEŞENLERİ ②

- A Altıgen anahtar  
 B Pullu tespit vidası  
 C Zımpara pedi  
 D Zımparalama levhası  
 E Toz çekme aparatı  
 F Açma/kapama şalteri  
 G Hiz seçimi tekerleği  
 H Havalandırma yuvaları  
 J LED ışık  
 K Dilimli testere bıçağı \*  
 L Saplamalı kesim testere bıçağı  
 M Derinlik ayarlaması aksesuarı \*  
 \* STANDART OLARAK DAHİL DEĞİLDİR

## GÜVENLİK

### GENEL ELEKTRİK EL ALETİ GÜVENLİK UYARILARI

**⚠ UYARI** Bu elektrikli alet ile birlikte verilen tüm uyarıları, talimatları, resimleri ve özellikleri okuyun. Aşağıda listelenen talimatların tamamına uyulmaması durumunda elektrik çarpması, yangın ve/veya ciddi yaralanmalar meydana gelebilir.

**Tüm uyarı ve talimatları ileride kullanmak üzere saklayın.**

Uyarı ve talimat hükümlerinde kullanılan “elektrikli el aleti” kavramı, akım şebekesine bağlı (şebeke bağlantı kablosu ile) aletlerle akü ile çalışan aletleri (akım şebekesine bağlantısı olmayan aletler) kapsamaktadır.

### 1) ÇALIŞMA YERİ GÜVENLİĞİ

- Çalıştığınız yeri temiz ve düzenli tutun.** Düzensizlik veya yetersiz aydınlatma kazalara neden olabilir.
- Yanıcı sıvıların, gazların veya tozların bulunduğunu patlama tehlikesi olan yer ve mekânlarda aletle çalışmayın.** Elektrikli el aletleri, toz veya buharların tutuşmasına veya yanmasına neden olan kıvılcıklar çıkarırlar.
- Elektrikli el aletiyle çalışırken çocukları ve başkalarını çalışma alanınızın uzağında tutun.** Yakınızdaki bulunan kişiler dikkatinizi dağıtabilir ve bu da alet üzerindeki kontrolünüzü kaybetmenize neden olabilir.

### 2) ELEKTRİKSEL GÜVENLİK

- Aletin bağlantı fişi prize uymalıdır. Fişi hiçbir şekilde değiştirmeyin. Koruyucu topraklamalı aletlerle adaptörlü fiş kullanmayın.** Değiştirilmemiş, orijinal fiş ve uygun prizler elektrik çarpması tehlikesini azaltır.
- Borular, kalorifer tesisatı, ısıtıcılar ve buzdolapları gibi topraklanmış yüzeylerle bedensel temasa geçmekten kaçınınız.** Eğer bedeniniz topraklanacak olursa yüksek bir elektrik çarpması tehlikesi ortaya çıkar.
- Aleti yağmur ve nemden koruyun.** Elektrikli el aletinin içine suyun sızması elektrik çarpması tehlikesini yükseltir.
- Kabloyu kendi amacı dışında kullanmayın; örneğin aleti kablodan tutarak taşımayın, aleti kablo ile asmayın veya kablodan çekerek fişi prizden çıkarmayın.** Kabloyu aşırı ısıktan, yağlardan, keskin kenarlı cisimlerden veya aletin hareketli parçalarından uzak tutun. Hasarlı veya dolaşmış kablo elektrik çarpması tehlikesini yükseltir.
- Elektrikli el aletiyle açık havada çalışırken mutlaka açık havada kullanılmaya uygun uzatma kablosu kullanınız.** Açık havada kullanılmaya uygun uzatma kablosunun kullanılması elektrik çarpması tehlikesini azaltır.
- Elektrikli el aletinin nemli ortamlarda çalıştırılması şartsa, mutlaka kaçak akım cihazı (RCD) kullanınız.** RCD kullanımı elektrik çarpması tehlikesini azaltır.

### 3) KİŞİLERİN GÜVENLİĞİ

- Dikkatli olun, ne yaptığınıza dikkat edin ve elektrikli el aletiyle çalışırken makul hareket edin. Yorgunsanız, ilaç kullanıyorsanız veya uyuşturucu madde ya da alkol etkisi altındaysanız aleti kullanmayın.** Aleti kullanırken bir anlık dikkatsizliğiniz ciddi yaralanmalara yol açabilir.
- Daima kişisel korunma donanımları ve bir koruyucu gözlük kullanınız.** Elektrikli el aletinin türü ve kullanımına uygun olarak kullanacağınız toz maskesi, kaymayan sağlam iş ayakkabıları, koruyucu kask veya koruyucu kulaklık gibi kişisel korunma donanımlarını kullanmanızı yaralanma tehlikesini büyük ölçüde azaltır.
- Aleti yanlışlıkla çalıştırmaktan kaçınınız.** Akım ikmal şebekesine ve/veya aküye bağlamadan, elinize alıp taşımadan önce elektrikli el aletinin kapalı durumda olduğundan emin olun. Elektrikli el aletinin parmağınız şalter üzerinde dururken taşırırsanız ve alet açıkken fişi prize sokarsanız kazalara neden olabilirsiniz.
- Aleti çalıştırmadan önce ayar aletlerini veya tornavidaları aletten uzaklaştırınız.** Dönen alet

parçasına temas halinde bulunan bir uç veya anahtar yaralanmalara neden olabilir.

- e) **Kendinize çok fazla güvenmeyin. Duruşunuzun güvenli olmasına dikkat edin ve daima dengeyi koruyun.** Bu sayede aleti beklenmedik durumlarda daha iyi kontrol edersiniz.
- f) **Uygun iş elbiseleri giyin. Geniş giysiler giymeyin ve takı takmayın. Saçlarınızı ve giysilerinizi aletin hareketli parçalarından uzak tutun.** Bol giysiler, takılar veya uzun saçlar aletin hareketli parçaları tarafından tutulabilir.
- g) **Aletinize toz emme donanımı ve toz tutma donanımı takılabiliyorsa, bunların bağlı olup olmadığını ve doğru işlev görüp görmediklerini kontrol edin.** Toz emme donanımının kullanımı tozdan kaynaklanabilecek tehlikeleri azaltır.
- h) **Aletleri sık kullanmanız sebebiyle kazandığınız alışkanlıklar, güvenlik prensiplerine uymazı önlememelidir.** Dikkatsiz bir hareket, bir anda ciddi yaralanmalara yol açabilir.
- 4) **ELEKTRİKLİ EL ALETLERİYLE DİKKATLİ ÇALIŞMAK VE ALETİ DOĞRU KULLANMAK**
  - a) **Aleti aşırı ölçüde zorlamayın. İşinize uygun elektrikli el aletini kullanın.** Uygun elektrikli el aleti ile belirtilen performans alanında daha iyi ve daha güvenli çalışırsınız.
  - b) **Açma/kapama şalteri arızalı olan elektrikli el aletini kullanmayın.** Açılıp kapanamayan bir elektrikli el aleti tehlikelidir ve onarılması gerekir.
  - c) **Alette bir ayarlama işlemine başlamadan, herhangi bir aksesuarı değiştirirken veya aleti elinizden bırakırken fişi prizden çekin veya aküyü çıkarın.** Bu önlem, elektrikli el aletinin yanlışlıkla çalışmasını önler.
  - d) **Kullanım dışında iken elektrikli el aletinizi çocukların ulaşamayacağı bir yerde saklayın. Aleti kullanmayı bilmeyen veya bu güvenlik talimatını okumayan kişilerin aleti kullanmasına izin vermeyin.** Deneyimsiz kişiler tarafından kullanıldıkları takdirde elektrikli el aletleri tehlikeli olabilirler.
- e) **Elektrikli el aletinin ve aksesuarların bakımını özenle yapın. Aletin hareketli parçalarının kusursuz işlev görüp görmediklerini ve sıkışmadıklarını, parçaların kırık veya hasarlı olup olmadıklarını kontrol edin, aksi takdirde alet işlevini tam olarak yerine getiremez. Aleti kullanmadan önce hasarlı parçaları onartın.** Birçok iş kazası aletlerin kötü ve yetersiz bakımından kaynaklanır.
- f) **Kesici uçları keskin ve temiz tutun.** İyi bakım görmüş kesici uçlar daha ender sıkışır ve daha iyi yönlendirilirler.
- g) **Elektrikli el aletlerini, aksesuarı, uçları ve benzerlerini bu güvenlik talimatına uygun olarak kullanın. Aleti kullanırken çalışma koşullarını ve yaptığınız işi daima dikkate alın.** Elektrikli el aletlerini kendileri için öngörülen işlerin dışında kullanmak tehlikeli durumlara ortaya çıkmasına neden olabilir.
- h) **Tutamak ve kavrama yüzeylerini kuru, yağsız ve temiz tutun.** Kaygan tutamak ve kavrama yüzeyleri, aletin beklenmeyen durumlarda güvenli şekilde tutulmasını ve kontrol edilmesini engeller.
- 5) **SERVİS**
  - a) **Aleti sadece uzman bir elemana ve orijinal yedek parçalar kullanılarak onartın.** Böylelikle aletin güvenliğini korumuş olursunuz.

## ÇOK AMAÇLI ALETLERE YÖNELİK GÜVENLİK TALİMATLARI

### GENEL

- Bu alet 16 yaşın altındaki kişiler tarafından kullanılmamalıdır
  - Tamamen kusursuz ve güvenli 16 Amp uzatma kabloları kullanın
  - Güç geriliminin, aletin özellik plakasında belirtilen voltaj değeriyle aynı olduğunu sık sık kontrol edin
  - İş parçasının vida, çivi ve benzeri malzeme tarafından hasar görmemesi için dikkatli olun; çalışmaya başlamadan önce bunları çıkartın
  - Kurşun içeren boya, bazı ahşap türleri, mineral ve metal gibi malzemelerden çıkan toz zararlı olabilir (tozla temasta bulunulması veya solunması operatörde veya yakında bulunan kişilerde alerjik reaksiyonlara ve/veya solunum yolu hastalıklarına neden olabilir); **toz maskesi takın ve toz ekstraksiyon cihazıyla çalışın (bağlanabiliyorsa)**
  - Bazı toz tipleri (örneğin meşe ve kayın ağacı tozu), bilhassa ahşap yenileme katkı maddeleriyle birlikte, kansinojenik olarak sınıflandırılır; **toz maskesi takın ve toz ekstraksiyon cihazı ile çalışın (bağlanabiliyorsa)**
  - Çalışma istediğiniz malzemelerin, toz ile ilgili ulusal talimatları takip edin
  - **İş parçasını iyice sabitlemek ve desteklemek için mengene kullanın veya diğer pratik yollara başvurun** (iş parçasını elde tutmak veya vücuda dayamak sabit olmamasına ve kontrol kaybına neden olabilir)
  - **Bu aletle asbest içeren malzemeleri işlemeyin** (asbest kanserojen bir madde kabul edilir)
  - **Aletin yanlışlıkla çalışmasını önlemek için çalışma molalarında veya temizleme, bakım, ayar yapma ve aksesuar değiştirme işlemlerinden önce her zaman aletin fişini prizden çekin**
  - Aleti daima iki elinizle sıkıca tutun ve güvenli bir duruş alın
  - Kabloyu her zaman aletin hareketli parçalarından uzak tutun; kabloyu arka tarafta araçtan uzakta bulundurun
  - **Aksesuarları değiştirirken koruyucu eldivenler kullanın** (aksesuarlara dokunmak yaralanmalara yol açabilir)
  - Elektriksel veya mekaniksel hatalı çalışma durumunda aleti hemen kapatın ve fişi çekin
  - Eğer cihazı kullanırken kordon hasar görür ya da kesilirse, kordona kesinlikle dokunmayın ve derhal fişi çekin
  - Kablo hasarlı iken cihazı kesinlikle kullanmayın; kablo yetkili bir serviste uzman bir kişi tarafından SKIL elektrikli aletleri için özel olarak hazırlanmış bir kablo ile değiştirilmelidir
  - Aletinizi bırakıp gitmeden önce mutlaka kapatın ve döner parçaların tam olarak durmasını bekleyin
- ### TESTEREYLE KESERKEN/KESERKEN
- **Çalışma esnasında uç görünmeyen akım kablolarına veya kendi bağlantı kablosuna temas etme olasılığı olan işleri yaparken aleti sadece izolasyonlu tutamaklarından tutun** (gerilim ileten kablolarla temas elektrikli el aletinin metal parçalarını da elektrik akımına maruz bırakabilir ve elektrik çarpmasına neden olabilir)
  - **Kesme alanından ellerinizi uzak tutun;** kesme işlemi sırasında herhangi bir nedenle malzemenin alt kısmına hiçbir zaman elinizi uzatmayın
  - **Görünmeyen elektrik kablolarını belirlemek için uygun bir tarama cihazı kullanın veya yerel akım ikmal şirketlerinden yardım isteyin** (elektrik kablolarıyla temas, yangın çıkmasına veya elektrik

çarpmalarına neden olabilir; bir gaz borusu hasar görürse patlama tehlikesi ortaya çıkar; bir su borusunun delinmesi halinde maddi hasarlar meydana gelebilir veya elektrik çarpmaya tehlikesi ortaya çıkabilir)

- Çatlamış, eskimiş ve kör bıçakları kullanmayın

#### ZIMPARALARKEN

- **Aleti sadece kuru zımparalama için kullanın** (alete su girmesi elektrik çarpmaya tehlikesini artırır)
- Hareket halindeki zımpara kağıdına dokunmayın
- Aşınmış, yırtılmış veya gözenekleri aşırı ölçüde dolmuş zımpara kağıtlarını kullanmayın
- Metalleri zımparalarken kıvılcıklar oluşur; elektrik süpürgesi kullanmayın ve diğer çalışanları ve yanıcı malzemeleri çalışma alanınızdan uzak tutun

#### ALET ÜZERİNDEKİ SİMGELERİN AÇIKLAMASI

- ③ Bu alet bulunması kolay mevcut OIS ve Starlock temel aksesuarları dahil çok amaçlı alet aksesuarlarıyla birlikte kullanılabilir
- ④ Kullanmadan önce kılavuzu okuyun
- ⑤ Çift yalıtım (topraklama kablosu gerekli değildir)
- ⑥ Aleti evdeki çöp kutusuna atmayın

#### KULLANIM

- Aksesuarları değiştirme ⑦

##### ! şebeke fişini çekin

- istediğiniz aksesuarı gösterildiği gibi çıkarın/takın
- aksesuar deliklerinin alet kafasında bulunan tırnaklara geçmesini sağlayın (araya girme konumundan herhangi biri mümkündür)
- basık orta noktası aşağıya doğru bakacak şekilde aksesuarı takın
- vidayı B altigen anahtarla A gevşetin/sıkın
- **aksesuarın sıkıca oturduğunu kontrol edin** (yanlış veya iyice takılmamış aksesuarlar işlem esnasında gevşeyebilir ve tehlike yaratabilir)

- Zımpara kağıdı tespiti ⑧

- zımpara kağıdını yerleştirmeden önce zımpara levhası C CIRT BANT materyalinin dokumasını silkeleyin
- D VELCRO zımpara kağıdını gösterilen şekilde takın

##### ! toz emdirme için delikli zımpara kağıtlarına ihtiyacınız vardır

##### ! zımpara kağıdının delikleri zımpara levhasının deliklerine uymalıdır

##### ! aşınmış zımpara kağıtlarını zamanında yenileyin

##### ! aletin daima tüm CIRT BANT yüzeyini zımpara kağıdı ile kaplayarak kullanın

- Toz emme ⑨

##### ! şebeke fişini çekin

- toz çekme cihazını E sadece zımpara pedi C ile çalışırken kullanın
- toz çekme aparatını E gösterildiği gibi takın
- süpürgeyi takınız
- ! **metalleri zımparalarken toz çekme aparatı/elektrik süpürgesi kullanmayın**
- optimum toz emme performansı için toz çekme aparatını E düzenli olarak temizleyin

- Açma/kapama

- Aleti F ② düğmesini "I"/"O" konumuna getirerek açıp çalıştırın/kapatın

##### ! aksesuar iş parçasına temas etmeden önce en yüksek devir sayısına ulaşılmalıdır

##### ! aleti kapatmadan önce iş parçası üzerinden kaldırın

- Çalışma hızının ayarlanması ⑩
  - tekerlekle G istenen salınım frekansı düşük hızdan (1) yüksek hıza (6) kadar ayarlanabilir (aynı zamanda alet çalışırken de ayar yapılabilir)
  - ideal çalışma hızı malzemeye bağlı olup, pratik denemelerle belirlenebilir
- LED-ışığı J ⑪
  - anahtar F etkinleştirildiğinde LED ışık J otomatik olarak yanar
- Aletin tutulması ve kullanılması ⑫
  - ! **çalışma esnasında, aleti daima gri renkli bölge(ler) den tutun**
  - havalandırma yuvalarını H açık tutun
  - alet üzerine çok fazla kuvvet uygulamayın (bu durum aşırı ısınmaya neden olacak ve aksesuarların kullanım ömrünü azaltacaktır)
- Derinlik ayarlaması aksesuarı M (DEPTH STOP) (standart olarak dahil değildir) ⑬

#### UYGULAMA ÖNERİLERİ

- Farklı malzemeler üzerinde çalışırken en iyi sonucu elde etmek için doğru aksesuarı belirlemek amacıyla referans olarak tabloyu ⑭ kullanın (standart olmayan aksesuarlar dahildir)
- Daha fazla ipucu için [www.skil.com](http://www.skil.com) sitesini gezin

#### BAKIM / SERVİS

- Bu alet profesyonel kullanıma yönelik değildir
- Aleti ve kablosunu daima temiz tutun (özellikle havalandırma yuvalarını H ②)
- ! **temizlemeden önce, cihazın fişini prizden çekin**
- Dikkatli biçimde yürütülen üretim ve test yöntemlerine rağmen alet arıza yapacak olursa, onarım SKIL elektrikli aletleri için yetkili bir serviste yapılmalıdır
  - aleti **ambalajıyla** birlikte satın alma belgenizi de ekleyerek satıcınıza veya en yakın SKIL servisine ulaştırın (adresler ve aletin servis şemaları [www.skil.com](http://www.skil.com) adresinde listelenmiştir)
- Aşırı yüklenme ve yanlış kullanım aleti garanti kapsamından çıkaracağını unutmayın (SKIL garanti koşulları için [www.skil.com](http://www.skil.com) adresine bakın veya satıcınıza başvurun)

#### ÇEVRE

- Elektrikli aletlerini, aksesuarları ve ambalajları evdeki çöp kutusuna atmayın (sadece AB ülkeleri için)
  - kullanılmış elektrikli aletleri, elektrik ve elektronik eski cihazlar hakkındaki 2012/19/EC Avrupa yönergelerine göre ve bu yönergeler ulusal hukuk kurallarına göre uyarlanarak, ayrı olarak toplanmalı ve çevre şartlarına uygun bir şekilde tekrar değerlendirmeye gönderilmelidir
  - sembol ⑥ size bunu anımsatmalıdır

#### GÜRÜLTÜ / TİTREŞİM

- EN 62841 uyarınca ölçülen bu aletin ses basıncı seviyesi 86,5 dB(A) ve ses gücü seviyesi 97,5 dB(A) (tolerans K = 3 dB), titreşimi ise \* (triaks vektör toplamı; tolerans K = 1,5 m/s<sup>2</sup>)
- \* zımparalama esnasında 3,4 m/s<sup>2</sup>
- Titreşim emisyon seviyesi EN 62841'de sunulan standart teste göre ölçülmüştür; bu seviye, bir aleti bir

bakşasıyla karşılaştırmak amacıyla ve aletin söz konusu uygulamalarda kullanılması sırasında titreşime maruz kalma derecesinin ön deęerlendirmesi olarak kullanılabilir

- aletin farklı uygulamalar için veya farklı ya da bakımı yetersiz yapılmış aksesuarlarla kullanılması, maruz kalma seviyesini belirgin biçimde **artırabilir**
- aletin kapalı olduğu veya çalıştığı ancak gerçek anlamda iş yapmadığı zamanlarda, maruz kalma seviyesi belirgin biçimde **azalabilir**

**! aletin ve aksesuarlarının bakımını yaparak, ellerinizi sıcak tutarak ve iş modellerinizi düzenleyerek kendinizi titreşimin etkilerinden koruyun**

PL

## Narzędzie wielofunkcyjne

1491

### WSTĘP

- Narzędzie przeznaczone do wycinania i przecinania drewna, plastiku, gipsu, metali i miękkich płytek ściennych i do szlifowania oraz skrobania na sucho niewielkich powierzchni
- W szczególności przystosowane jest ono do obróbki blisko krawędzi
- Narzędzie nie jest przeznaczone do zastosowań profesjonalnych
- Narzędzie obsługuje większość dostępnych akcesoriów wielofunkcyjnych, włącznie z istniejącymi akcesoriami OIS i Starlock ③
- Przeczytać i zachować niniejszą instrukcję obsługi ④

### DANE TECHNICZNE ①

### ELEMENTY NARZĘDZIA ②

- A Klucz sześciokątny
  - B Śruba zaciskowa z podkładką
  - C Talerz do piaskowania
  - D Papier ścierny
  - E Urządzenie do odsysania kurzu
  - F Włącznik/wyłącznik
  - G Pokrętko wyboru prędkości
  - H Szczeliny wentylacyjne
  - J Lampka LED
  - K Brzeszczot segmentowy \*
  - L Brzeszczot do cięcia węglbnego
  - M Nasadka do ustawiania głębokości \*
- \* NIEDOSTĘPNA W STANDARDZIE

### BEZPIECZEŃSTWO

#### OGÓLNE OSTRZEŻENIA DOTYCZĄCE BEZPIECZEŃSTWA UŻYTKOWANIA ELEKTRONARZĘDZIA

**! OSTRZEŻENIE** Należy przeczytać wszystkie ostrzeżenia dotyczące bezpieczeństwa, instrukcje, ilustracje i dane techniczne dostarczone z tym elektronarzędziem. Nieprzestrzeganie wszystkich poniższych instrukcji może skutkować porażeniem prądem, pożarem i/lub poważnym obrażeniem ciała.

#### Wszystkie ostrzeżenia i wskazówki należy zachować do dalszego zastosowania.

Użyte w poniższym tekście pojęcie "elektronarzędzie" odnosi się do elektronarzędzi zasilanych energią elektryczną z sieci (z przewodem zasilającym) i do elektronarzędzi zasilanych akumulatorami (bez przewodu zasilającego).

#### 1) BEZPIECZEŃSTWO MIEJSCA PRACY

- a) **Miejsce pracy należy utrzymywać w czystości i dobrze oświetlone.** Nieporządek lub nie oświetlone miejsce pracy mogą doprowadzić do wypadków.
- b) **Nie należy pracować tym narzędziem w otoczeniu zagrożonym wybuchem, w którym znajdują się np. łatwopalne cieczce, gazy lub pyły.** Elektronarzędzia wytwarzają iskry, które mogą podpalić ten pył lub parę.
- c) **Elektronarzędzie trzymać podczas pracy z daleka od dzieci i innych osób.** Przy nieuwadze można stracić kontrolę nad narzędziem.

#### 2) BEZPIECZEŃSTWO ELEKTRYCZNE

- a) **Wtyczka urządzenia musi pasować do gniazda. Nie wolno modyfikować wtyczki w jakikolwiek sposób. Nie należy używać wtyczek adapterowych razem z uziemnionymi narzędziami.** Niezmienione wtyczki i pasujące gniazda zmniejszają ryzyko porażenia prądem.
- b) **Należy unikać kontaktu z uziemnionymi powierzchniami jak rury, grzejniki, piece i lodówki.** Istnieje zwiększone ryzyko porażenia prądem, gdy Państwa ciało jest uziemnione.
- c) **Urządzenie należy przechowywać zabezpieczone przed deszczem i wilgocią.** Wniknięcie wody do elektronarzędzia podwyższa ryzyko porażenia prądem.
- d) **Nigdy nie należy używać kabla do innych czynności. Nigdy nie używać kabla do noszenia urządzenia za kabel, zawieszenia lub do wyciągania wtyczki z gniazda. Kabel należy trzymać z daleka od wysokich temperatur, oleju, ostrych krawędzi lub ruchomych części urządzenia.** Uszkodzone lub poplątane kable zwiększają ryzyko porażenia prądem.
- e) **W przypadku, kiedy elektronarzędziem pracuje się na świeżym powietrzu należy używać kabla przedłużającego, który dopuszczony jest do używania na zewnątrz.** Użycie dopuszczonego do używania na zewnątrz kabla przedłużającego zmniejsza ryzyko porażenia prądem.
- f) **Jeżeli nie da się uniknąć zastosowania elektronarzędzia w wilgotnym otoczeniu, należy użyć wyłącznika ochronnego różnicowo-prądowego.** Zastosowanie wyłącznika ochronnego różnicowo-prądowego zmniejsza ryzyko porażenia prądem.

#### 3) BEZPIECZEŃSTWO OSÓB

- a) **Należy być uważnym, uważać na to co się robi i pracę elektronarzędziem rozpoczynać z rozsądkiem. Nie należy używać urządzenia gdy jest się zmęczonym lub pod wpływem narkotyków, alkoholu lub lekarstw.** Moment nieuwagi przy użyciu urządzenia może doprowadzić do poważnych urażeń ciała.
- b) **Należy nosić osobiste wyposażenie ochronne i zawsze okulary ochronne.** Noszenie osobistego wyposażenia ochronnego jak maska przeciwpyłowa, nie ślizgające się buty robocze, hełm ochronny lub ochrona słuchu, w zależności od rodzaju i zastosowania elektronarzędzia zmniejsza ryzyko obrażeń ciała.

- c) **Należy unikać niezamierzonego uruchomienia narzędzia. Przed włożeniem wtyczki do gniazdka i/ lub podłączeniem do akumulatora, a także przed podniesieniem lub przeniesieniem elektronarzędzia, należy upewnić się, że elektronarzędzie jest wyłączone.** Trzymanie palca na wyłączniku podczas przenoszenia elektronarzędzia lub podłączenie do prądu włączonego narzędzia, może stać się przyczyną wypadków.
- d) **Zanim urządzenie zostanie włączone należy usunąć narzędzia nastawcze lub klucze.** Narzędzie lub klucz, które znajdują się w ruchomych częściach urządzenia mogą doprowadzić do obrażeń ciała.
- e) **Nie należy przeceniać swoich możliwości. Należy dbać o bezpieczną pozycję pracy i zawsze utrzymywać równowagę.** Przez to możliwa jest lepsza kontrola urządzenia w nieprzewidywanych sytuacjach.
- f) **Należy nosić odpowiednie ubranie. Nie należy nosić luźnego ubrania lub biżuterii. Włosy i ubranie należy trzymać z daleka od ruchomych elementów.** Luźne ubranie, biżuteria lub długie włosy mogą zostać pociągnięte przez poruszające się części.
- g) **W przypadku, kiedy możliwe jest zamontowanie urządzeń odsysających lub podchwytyjących należy upewnić się, czy są one właściwie podłączone i prawidłowo użyte.** Użycie urządzenia odsysającego pył może zmniejszyć zagrożenie pyłami.
- h) **Nie wolno pozwolić, aby rutyna nabyta w wyniku wielokrotnego użycia elektronarzędzia, zastąpiła ścisłe przestrzeganie zasad bezpieczeństwa.** Niedbale obsługiwane elektronarzędzie może w ułamku sekundy wyrządzić istotne szkody lub spowodować ciężkie obrażenia.
- 4) UWAGNE OBCOWANIE ORAZ UŻYCIE ELEKTRONARZĘDZIA**
- a) **Nie należy przeciążać urządzenia. Do pracy używać należy elektronarzędzia, które jest do tego przewidziane.** Odpowiednim narzędziem pracuje się lepiej i bezpieczniej w podanym zakresie sprawności.
- b) **Nie należy używać elektronarzędzia, którego włącznik/wyłącznik jest uszkodzony.** Elektronarzędzie, którego nie można włączyć lub wyłączyć jest niebezpieczne i musi zostać naprawione.
- c) **Przed rozpoczęciem jakichkolwiek prac nastawczych, przed wymianą osprzętu lub przed odłożeniem elektronarzędzia należy wyjąć wtyczkę z gniazda sieciowego i/lub usunąć akumulator.** Ten środek ostrożności zapobiega niezamierzonemu włączeniu się urządzenia.
- d) **Nie używane elektronarzędzia należy przechowywać poza zasięgiem dzieci. Nie należy udostępniać narzędzia osobom, które jego nie umieją lub nie przeczytały tych przepisów.** Używane przez niedoświadczone osoby elektronarzędzia są niebezpieczne.
- e) **Elektronarzędzia i osprzęt należy utrzymywać w nienagannym stanie technicznym. Należy kontrolować, czy ruchome części urządzenia funkcjonują bez zarzutu i nie są zablokowane, czy części nie są pęknięte lub uszkodzone, co mogłoby mieć wpływ na prawidłowe funkcjonowanie urządzenia. Uszkodzone narzędzie należy przed użyciem urządzenia oddać do naprawy. Wiele**

wypadków spowodowanych jest przez niewłaściwą konserwację elektronarzędzi.

- f) **Osprzęt tnący należy utrzymywać ostry i czysty.** Starannie pielęgnowany osprzęt tnący z ostrymi krawędziami tnącymi blokuje się rzadziej i łatwiej się używa.
- g) **Elektronarzędzia, osprzęt, narzędzia itd. należy używać odpowiednio do tych przepisów. Uwzględnić należy przy tym warunki pracy i czynność do wykonania.** Użycie elektronarzędzi do innych niż przewidziane prace może doprowadzić do niebezpiecznych sytuacji.
- h) **Uchwyty i powierzchnie chwytowe powinny być zawsze suche, czyste, niezabrudzone olejem ani smarem.** Śliskie uchwyty i powierzchnie chwytowe nie pozwalają na bezpieczne trzymanie narzędzia i kontrolę nad nim w nieoczekiwanych sytuacjach.
- 5) SERWIS**
- a) **Naprawę urządzenia należy zlecić jedynie kwalifikowanemu fachowcowi i przy użyciu oryginalnych części zamiennych.** To gwarantuje, że bezpieczeństwo użytkowania zostanie zachowane.

## PRZEPISY BEZPIECZEŃSTWA DOTYCZĄCE NARZĘDZI WIELOFUNKCYJNYCH

### OGÓLNE

- Narzędzie nie powinny używać dzieci poniżej 16 roku życia
- W przypadku korzystania z kabla przedłużającego należy zwrócić uwagę, aby był maksymalnie nawinięty na bęben oraz był przystosowany do przewodzenia prądu o natężeniu przynajmniej 16 A
- Każdorazowo należy sprawdzać, czy napięcie zasilania jest zgodne z napięciem podanym na tabliczce znamionowej urządzenia
- Uwaga na gwoździe, śruby i inne twarde przedmioty; przed przystąpieniem do obróbki powinny być usunięte z obrabianego przedmiotu; usunąć je przed rozpoczęciem pracy
- Pył pochodzący z takich materiałów, jak farby zawierające ołów, niektóre gatunki drzewa, minerały i metal może być szkodliwy (kontakt z nim lub wdychanie takiego pyłu może powodować reakcje alergiczne i/lub niewydolność oddechową u operatora lub osób towarzyszących); **należy zakładać maskę przeciwpyłową i pracować z urządzeniem odsysającym, jeżeli można je podłączyć**
- Niektóre rodzaje pyłu są zaklasyfikowane jako rakotwórcze (takie, jak pył dębu i buka) szczególnie w połączeniu z dodatkami do kondycjonowania drewna; **należy zakładać maskę przeciwpyłową i pracować z urządzeniem odsysającym pył, jeżeli można je podłączyć**
- Należy stosować się do lokalnych wymogów dotyczących pracy w otoczeniu pyłu powstającego podczas obróbki materiału
- Używać kleszczy lub innych narzędzi do zabezpieczenia i podparcia obrabianego materiału do stabilnej powierzchni** (trzymanie części w ręku lub opieranie jej o ciało może prowadzić do utraty kontroli)
- Nie należy obrabiać materiału zawierającego azbest** (azbest jest rakotwórczy)
- Podczas przerwy w obsłudze urządzenia lub przed czyszczeniem, konserwacją, regulacją i wymianą**



akcesoriów należy zawsze odłączyć urządzenie od prądu; pozwoli to zmniejszyć ryzyko przypadkowego włączenia urządzenia

- Podczas pracy trzeba mocno trzymać narzędzie obiema rękami i zachowywać bezpieczną odległość
- Kabel zasilający powinien stale znajdować się w bezpiecznej odległości od wirującej części elektronarzędzia; kabel zasilający zawsze prowadzić z tyłu elektronarzędzia
- **Podczas zmiany akcesoriów należy używać rękawic ochronnych** (dotknięcie akcesoriów może doprowadzić do obrażeń)
- W przypadku wadliwego działania mechanicznych lub elektrycznych elementów urządzenia, należy bezzwocznie odłączyć narzędzie i wyjąć wtyczkę
- W przypadku uszkodzenia lub przecięcia przewodu podczas pracy, nie wolno go dotykać, tylko należy natychmiast wyciągnąć z gniazdka wtyczkę
- Nie wolno używać urządzenia z uszkodzonym przewodem; należy go wymienić na specjalny przewód dostępny w centrum obsługi posprzedażnej narzędzi SKIL i zlecić montaż wykwalifikowanej osobie
- Przed pozostawieniem elektronarzędzia należy odłączyć zasilanie elektryczne i odczekać do całkowitego zatrzymania się wrzeciona

#### PODCZAS PIŁOWANIA/CIĘCIA

- **Podczas wykonywania prac, przy których narzędzie robocze mogłoby natrafić na ukryte przewody elektryczne lub na własny przewód zasilający, elektronarzędzie należy trzymać za izolowane powierzchnie rękojeści** (kontakt z przewodem sieci zasilającego może spowodować przekazanie napięcia na części metalowe elektronarzędzia, co mogłoby spowodować porażenie prądem elektrycznym)
- **Trzymaj ręce z dala od obszaru cięcia**; pod żadnym pozorem nie sięgaj pod materiał podczas cięcia
- **Aby wykryć ukryte przewody zasilające należy używać stosownych detektorów lub porozumieć się z miejscowymi zakładami energetycznymi** (kontakt z przewodami elektrycznymi może doprowadzić do pożaru i porażenia elektrycznego; uszkodzenie przewodu gazowego może doprowadzić do wybuchu; uszkodzenie przewodów instalacji wodociągowej powoduje szkody rzeczowe i może spowodować porażenie elektryczne)
- Nie używać pękniętego, odkształconego lub tępego brzeszczotu

#### PODCZAS SZLIFOWANIA

- **Narzędzie może być używane wyłącznie podczas szlifowania na sucho** (dostanie się wody do narzędzia grozi porażeniem prądem)
- Nie wolno dotykać poruszającego się papieru ściernego
- Nie należy korzystać ze zużytych/ podartych albo mocno zapchanych papierów ściernych
- Przy szlifowaniu metalu występuje iskrzenie; nie wolno wtedy korzystać z odkurzacza a z obszaru pracy należy usunąć wszelkie materiały palne i zabronić tam wstępu osobom trzecim

#### OBJAŚNIENIE SYMBOLI NA NARZĘDZIU

- ③ To narzędzie obsługuje większość dostępnych akcesoriów wielofunkcyjnych, włącznie z istniejącymi akcesoriami OIS i Starlock
- ④ Przed użyciem przeczytaj instrukcję obsługi
- ⑤ Podwójna izolacja (brak uziemienia)
- ⑥ Nie wyrzucaj narzędzie wraz z odpadami z gospodarstwa domowego

## UŻYTKOWANIE

- Zmiana akcesoriów ⑦
  - ! **wyjąć wtyk z gniazda sieciowego**
  - akcesoria należy montować/zdejmować zgodnie z ilustracją
  - należy sprawdzić, czy otwory akcesoriów zostały nałożone na wypustki głowicy narzędzia (w dowolnej pozycji pozwalającej na zablokowanie akcesoriów)
  - akcesoria należy zakładać tak, aby wkłęsy środek był skierowany do dołu
  - luzuj/dokręcaj śrubę B kluczem sześciokątnym A
  - **sprawdź osadzenie akcesoriów** (nieprawidłowo lub niedokładnie dokręcone akcesoria mogą poluzować się w trakcie pracy i stać się zagrożeniem)
- Mocowanie papieru ściernego ⑧
  - oczyść stopę VELCRO z zanieczyszczeń C przed montażem papieru ściernego
  - założyć papier ścierny VELCRO ("narzępę") D, jak pokazano
  - ! **w przypadku wykorzystywania odsysania mocowane papiery ściernie powinny posiadać otwory**
  - ! **rozmszczenie otworów w papierze powinno być zgodne z położeniem odpowiednich otworów w płycie szlifierskiej elektronarzędzia**
  - ! **zużyte papiery ściernie natychmiast wymienić**
  - ! **podczas korzystania z narzędzia cała powierzchnia VELCRO musi być pokryta papierem ściernym**
- Odsysanie pyłu ⑨
  - ! **wyjąć wtyk z gniazda sieciowego**
  - urządzenia do odsysania kurzu E należy używać wyłącznie podczas pracy przy użyciu tarczy ścierniej C
  - zamontuj urządzenie do odsysania kurzu E zgodnie z ilustracją
  - podłączyć odkurzacz
  - ! **przy szlifowaniu metalu nie należy używać odpylnika/worka na pył/odkurzacza**
  - w celu zapewnienia optymalnego odpylania należy regularnie czyścić urządzenie do odsysania kurzu E
- Włącz/wyłącz
  - Włączenie/wyłączenie narzędzia następuje poprzez ustawienie przycisku F ② w pozycji "I"/"O"
  - ! **tarczę zbliżyć do obrabianego przedmiotu dopiero po osiągnięciu przez elektronarzędzie pełnej prędkości obrotowej**
  - ! **przed wyłączeniem narzędzia należy unieść je ponad obrabiany przedmiot**
- Regulacja szybkości roboczej ⑩
  - koło G pozwala na sterowanie wymaganą prędkością drgań od niskiej (1) do wysokiej (6); regulacja jest możliwa także w trakcie pracy narzędzia
  - optymalna prędkość robocza zależy od materiału - należy ją ustalić metodą prób i błędów
- Lampka LED J ⑪
  - Lampka LED J zapala się automatycznie po naciśnięciu przełącznika F
- Utrzymywanie i prowadzenie narzędzia ⑫
  - ! **podczas pracy zawsze trzymać narzędzie za uchwyt(y) ograniczone szarym kolorem**
  - szczeliny wentylacyjne H powinny być odkryte
  - nie wywierać zbyt dużego nacisku na narzędzie i zbyt silny nacisk spowoduje wytworzenie nadmiernych

ilości ciepła i może spowodować skrócenie żywotności akcesorium)

- Nasadka do ustawiania głębokości M (DEPTH STOP) (nie należy do standardowego wyposażenia) 13

## WSKAZÓWKI UŻYTKOWANIA

- W celu uzyskania optymalnych wyników dla różnych materiałów należy korzystać z tabeli 14 jako odnośnika przy określaniu różnych akcesoriów (**uwzględniono akcesoria niestandardowe**)
- Więcej wskazówek można znaleźć pod adresem [www.skil.com](http://www.skil.com)

## KONSERWACJA / SERWIS

- Narzędzie nie jest przeznaczone do zastosowań profesjonalnych
- Zawsze dbać o czystość narzędzia i przewodu zasilającego (a szczególnie otworów wentylacyjnych H 2)
- ! **przed przystąpieniem do czyszczenia należy wyjąć wtyk z gniazda sieciowego**
- Jeśli narzędzie, mimo dokładnej i wszechstronnej kontroli produkcyjnej ulegnie kiedykolwiek awarii, naprawę powinien przeprowadzić autoryzowany serwis elektronicznej firmy SKIL
  - odesłać **nierozebrany** narzędzie, wraz z dowodem zakupu, do dealera lub do najbliższego punktu usługowego SKIL (adresy oraz diagram serwisowy narzędzenia znajdują się na stronach [www.skil.com](http://www.skil.com))
- Prosimy pamiętać, że uszkodzenia spowodowane przeciążeniem lub niewłaściwym użytkowaniem narzędzia nie podlegają gwarancji (warunki gwarancji SKIL znajdują się na [www.skil.com](http://www.skil.com) lub pytać swojego dealera)

## ŚRODOWISKO

- **Nie wyrzucaj elektronarzędzi, akcesoriów i opakowania wraz z odpadami z gospodarstwa domowego** (dotyczy tylko państw UE)
  - zgodnie z Europejską Dyrektywą 2012/19/WE w sprawie zużytego sprzętu elektrotechnicznego i elektronicznego oraz dostosowaniem jej do prawa krajowego, zużyte elektronarzędzia należy posegregować i zutylizować w sposób przyjazny dla środowiska
  - w przypadku potrzeby pozbycia się narzędzia, akcesoriów i opakowania - symbol 6 przypomni Ci o tym

## HAŁASU / WIBRACJE

- Poziom ciśnienia akustycznego mierzonego zgodnie z normą EN 62841 wynosi 86,5 dB(A), a poziom mocy akustycznej wynosi 97,5 dB(A) (odchylenie K = 3 dB), wibracja \* (trójosiowa suma wektorowa; odchylenie K = 1,5 m/s<sup>2</sup>)
- \* podczas szlifowania 3,4 m/s<sup>2</sup>
- Poziom emisji wibracji został zmierzony zgodnie z testem standaryzowanym podanym w EN 62841; może służyć do porównania jednego narzędzia z innym i jako ocena wstępna narażenia na wibracje w trakcie używania narzędzia do wymienionych zadań
  - używanie narzędzia do innych zadań, lub z innymi albo źle utrzymanymi akcesoriami, może znacząco

**zwiększyć** poziom narażenia

- przypadki, kiedy narzędzie jest wyłączone lub jest czynne, ale aktualnie nie wykonuje zadania, mogą znacząco **zmniejszyć** poziom narażenia
- ! **należy chronić się przed skutkami wibracji przez konserwację narzędzia i jego akcesoriów, zakładanie rękawic i właściwą organizację pracy**

RU

## Многофункциональный инструмент

1491

В состав эксплуатационных документов, предусмотренных изготовителем для продукции, могут входить настоящее руководство по эксплуатации, а также приложения. Информация о подтверждении соответствия содержится в приложении.

### Срок службы изделия

Срок службы изделия составляет 7 лет. Не рекомендуется к эксплуатации по истечении 5 лет хранения с даты изготовления без предварительной проверки (дату изготовления см. на этикетке).

### Перечень критических отказов и ошибочные действия персонала или пользователя

- не использовать с поврежденной рукояткой или поврежденным защитным кожухом
- не использовать при появлении дыма непосредственно из корпуса изделия
- не использовать с пербитым или оголенным электрическим кабелем
- не использовать на открытом пространстве во время дождя (в распыляемой воде)
- не включать при попадании воды в корпус
- не использовать при сильном искрении
- не использовать при появлении сильной вибрации

### Критерии предельных состояний

- перетёрт или повреждён электрический кабель
- повреждён корпус изделия

### Тип и периодичность технического обслуживания

Рекомендуется очистить инструмент от пыли после каждого использования.

### Хранение

- необходимо хранить в сухом месте
- необходимо хранить вдали от источников повышенных температур и воздействия солнечных лучей
- при хранении необходимо избегать резкого перепада температур
- хранение без упаковки не допускается
- подробные требования к условиям хранения смотрите в ГОСТ 15150 (Условие 1)

### Транспортировка

- категорически не допускается падение и любые механические воздействия на упаковку при транспортировке
- при разгрузке/погрузке не допускается использование любого вида техники, работающей по принципу зажима упаковок
- подробные требования к условиям транспортировки смотрите в ГОСТ 15150 (Условие 5)

## ВНИМАНИЕ!

**В случае возникновения перебоев в работе электроинструмента вследствие полного или частичного прекращения энергоснабжения или повреждения цепи управления энергоснабжением установите выключатель в положение Выкл., убедившись, что он не заблокирован (при его наличии) и отключите сетевую вилку от розетки или отсоедините съёмный аккумулятор (этот предотвращается неконтролируемый повторный запуск)**

## ВВЕДЕНИЕ

- Этот инструмент предназначен для распиливания и резки древесины, пластмассы, гипсокартона, металла и мягкой облицовочной плитки, а также для сухого шлифования и шпательования небольших поверхностей
- Он в особой степени пригоден для работ вблизи края и заподлицо
- Данный инструмент не подходит для промышленного использования
- Для этого инструмента подходит большинство имеющихся принадлежностей, которые предназначены для многофункциональных инструментов, включая имеющиеся принадлежности OIS и Starlock ③
- Прочитайте и сохраните с данной инструкцией ④

## ТЕХНИЧЕСКИЕ ДАННЫЕ ①

### СТРАНА ИЗГОТОВЛЕНИЯ

Сделано в Китае

## ДЕТАЛИ ИНСТРУМЕНТА ②

- A Ключ-шестигранник
- B Зажимной винт с шайбой
- C Насадка со шкуркой
- D Шлифовальный лист
- E Пылеудаляющее устройство
- F Выключатель вкл/выкл
- G Колёсико для регулирования скорости
- H Вентиляционные отверстия
- J Светодиодный индикатор
- K Сегментированное пыльное полотно \*
- L Погружное пыльное полотно
- M Ограничитель глубины \*

\* СТАНДАРТНО В КОМПЛЕКТ НЕ ВКЛЮЧАЕТСЯ

## БЕЗОПАСНОСТЬ

### ОБЩИЕ УКАЗАНИЯ ПО ТЕХНИКЕ БЕЗОПАСНОСТИ ОБ- РАЩЕНИЯ С ЭЛЕКТРОИНСТРУМЕНТАМИ

**⚠ ВНИМАНИЕ! Следует ознакомиться со всеми правилами техники безопасности, инструкциями, иллюстрациями и техническими данными, содержащимися в прилагаемых к этому электроинструменту материалах.** Несоблюдение нижеперечисленных инструкций в полном объеме может повлечь поражение электрическим током, пожар и/или серьезную травму.

### Сохраняйте эти инструкции и указания для будущего использования.

Использованное в настоящих инструкциях и указаниях понятие "электроинструмент" распространяется на электроинструмент с питанием от сети (с кабелем питания от электросети) и на аккумуляторный электроинструмент (без кабеля питания от электросети).

#### 1) БЕЗОПАСНОСТЬ РАБОЧЕГО МЕСТА

- Соблюдайте чистоту и поддерживайте надлежащую освещенность на рабочем месте.** Беспорядок на рабочем месте или его плохое освещение могут привести к несчастным случаям.
- Не используйте с электроинструментом во взрывоопасной среде, т.е. в непосредственной близости от легковоспламеняющихся жидкостей, газов или пыли.** В процессе работы электроинструмент искрит и искры могут воспламенить газы или пыль.
- При работе с электроинструментом не допускайте детей или посторонних на Ваше рабочее место.** Отвлечение Вашего внимания может привести к потере контроля над работой электроинструмента.

#### 2) ЭЛЕКТРИЧЕСКАЯ БЕЗОПАСНОСТЬ

- Штепсельная вилка кабеля питания электроинструмента должна соответствовать розетке электросети. Не вносите никаких изменений в конструкцию вилки. Не используйте адаптеры для электроинструмента с защитным заземлением.** Заводские штепсельные вилки и соответствующие им сетевые розетки существенно снижают вероятность электрошока.
- Избегайте механических контактов с такими заземленными поверхностями, как трубопроводы, системы отопления, плиты и холодильники.** При соприкосновении человека с заземленными предметами во время работы инструментом вероятность электрошока существенно возрастает.
- Оберегайте электроинструмент от воздействия дождя и влаги.** Попадание воды в электроинструмент повышает вероятность электрического удара.
- Используйте кабель строго по назначению. Не допускается тянуть и передвигать электроинструмент за кабель или использовать кабель для вытягивания вилки из розетки.** Оберегайте кабель инструмента от воздействия высоких температур, масла, острых кромок или движущихся частей электроинструмента. Поврежденный или спутанный кабель повышает возможность электрического удара.
- При работе на улице используйте удлинитель, предназначенный для работы вне помещения.** Использование такого удлинителя снижает вероятность электрического удара.
- Если невозможно избежать применения электроинструмента в сыром помещении, то устанавливайте устройство защиты от утечки в землю.** Использование устройства защиты от утечки в землю снижает риск электрического поражения.

### 3) ЛИЧНАЯ БЕЗОПАСНОСТЬ

- a) **Будьте внимательны, следите за тем, что Вы делаете и выполняйте работу обдуманно. Не пользуйтесь электроинструментом, если Вы устали или находитесь под воздействием транквилизаторов, алкоголя или медицинских препаратов.** Секундная потеря концентрации в работе с электроинструментом может привести к серьезным травмам.
- b) **Используйте средства индивидуальной защиты. Защитные очки обязательны.** Средства индивидуальной защиты, такие как противоопылевой респиратор, нескользящая защитная обувь, шлем-каска, средства защиты органов слуха применяются в соответствующих условиях работы обстоятельствах и минимизируют возможность получения травм.
- c) **Предотвращайте непреднамеренное включение электроинструмента. Перед подключением электроинструмента к электропитанию и/или к аккумулятору убедитесь в выключенном состоянии электроинструмента.** Если Вы при транспортировке электроинструмента держите палец на выключателе или включенный электроинструмент подключаете к сети питания, то это может привести к несчастному случаю.
- d) **Во избежание травм перед включением электроинструмента удалите регулировочный или гаечный ключ из вращающейся части электроинструмента.**
- e) **Не переоценивайте свои возможности. Твердо стойте на ногах и удерживайте равновесие.** В таком положении вы сможете лучше контролировать электроинструмент в неожиданных ситуациях.
- f) **Используйте подходящую рабочую одежду. Не надевайте свободную одежду и украшения. Держите волосы и одежду вдали от движущихся частей.** Свободная одежда, украшения или длинные волосы легко могут попасть в движущиеся части электроинструмента.
- g) **При наличии пылеотсасывающих и пылесборных приспособлений убедитесь в том, что они подсоединены и используются надлежащим образом.** Применение пылеотсоса может снизить опасности, создаваемые пылью.
- h) **Хорошее знание электроинструментов, полученное в результате частого их использования, не должно приводить к самоуверенности и игнорированию техники безопасности обращения с электроинструментами.** Одно небрежное действие за долю секунды может привести к серьезным травмам.

### 4) ЭКСПЛУАТАЦИЯ И УХОД ЗА ЭЛЕКТРОИНСТРУМЕНТОМ

- a) **Не перегружайте электроинструмент. Используйте тот электроинструмент, который предназначен для данной работы.** С подходящим электроинструментом Вы выполните работу лучше и надежней, используя весь диапазон его возможностей.
- b) **Не используйте электроинструмент с неисправным выключателем.** Инструмент с

неисправным выключателем опасен и подлежит ремонту.

- c) **До начала наладки электроинструмента, замены принадлежностей или прекращения работы отключайте штепсельную вилку от розетки сети и/или выньте, если это возможно, аккумулятор.** Данная мера предосторожности предотвращает случайное включение электроинструмента.
  - d) **Храните неиспользуемый электроинструмент в недоступном для детей месте и не позволяйте использовать его лицам, не умеющим с ним обращаться или не ознакомленным с инструкцией по эксплуатации.** Электроинструменты представляют собой опасность в руках неопытных пользователей.
  - e) **Тщательно ухаживайте за электроинструментом и принадлежностями. Проверьте безупречность функции подвижных частей, лёгкость их хода, целостность всех частей и отсутствие повреждений, которые могут негативно сказаться на работе инструмента. При обнаружении повреждений сдайте инструмент в ремонт.** Большое число несчастных случаев связано с неудовлетворительным уходом за электроинструментом.
  - f) **Режущие части инструмента необходимо поддерживать в заточенном и чистом состоянии.** При надлежащем уходе за режущими принадлежностями с острыми кромками они реже заклиниваются и инструмент лучше поддается контролю.
  - g) **Используйте электроинструмент, принадлежности, биты и т.д. в соответствии с данными инструкциями, исходя из особенностей условий и характера выполняемой работы.** Использование электроинструмента не по назначению может привести к опасным последствиям.
  - h) **Держите ручки и поверхности захвата сухими и чистыми, следите чтобы на них чтобы на них не было жидкой или консистентной смазки.** Скользкие ручки и поверхности захвата препятствуют безопасному обращению с инструментом и не дают надежно контролировать его в непредвиденных ситуациях.
- ### 5) СЕРВИСНОЕ ОБСЛУЖИВАНИЕ
- a) **Передавайте электроинструмент на сервисное обслуживание только квалифицированному персоналу, использующему только подлинные запасные части.** Это обеспечит сохранение безопасности электроинструмента.

### ИНСТРУКЦИИ ПО ТЕХНИКЕ БЕЗОПАСНОСТИ ПРИ РАБОТЕ С МНОГОФУНКЦИОНАЛЬНЫМИ ИНСТРУМЕНТАМИ

#### ОБЩЕЕ

- Инструмент нельзя использовать лицам в возрасте до 16 лет
- Используйте полностью размотанные и безопасные удлинители, рассчитанные на ток не менее 16 А
- Обязательно убедитесь, что напряжение питания соответствует напряжению, указанному на фирменном штепеле инструмента

- Избегайте повреждений, которые могут быть вызваны винтами, гвоздями и прочими элементами, находящимися в обрабатываемом предмете; перед началом работы их нужно удалить
- Пыль от таких материалов, как свинцовосодержащая краска, некоторые породы дерева, минералы и металл, может быть вредна (контакт с такой пылью или ее вдыхание может стать причиной возникновения у оператора или находящихся рядом лиц аллергических реакций и/или респираторных заболеваний); **надевайте респиратор и работайте с пылеудаляющим устройством при включении инструмента**
- Некоторые виды пыли классифицируются как канцерогенные (например, дубовая или буковая пыль), особенно в сочетании с добавками для кондиционирования древесины; **надевайте респиратор и работайте с пылеудаляющим устройством при включении инструмента**
- Следуйте принятым в вашей стране требованиям/нормативам относительно пыли для тех материалов, с которыми вы собираетесь работать
- **Используйте струбцины или другой удобный способ для крепления изделия к прочной платформе и его поддержки** (если держать изделие в руках или прижимать к телу, оно будет недостаточно зафиксировано, что может привести к потере контроля)
- **Не обрабатывайте материалы с содержанием асбеста** (асбест считается канцерогеном)
- **Всегда отключайте штекер от источника питания во время перерывов в работе или перед выполнением очистки, обслуживания регулировок и заменой насадок, чтобы избежать опасность внезапного включения инструмента**
- При работе крепко держите инструмент обеими руками и займите устойчивое положение
- Следите за тем, чтобы сетевой шнур не находился рядом с движущимися деталями инструмента; нужно всегда направлять электрический шнур к задней части инструмента, исключая его захват инструментом
- **При замене насадок используйте защитные перчатки** (контакт с насадкой может привести к травмам)
- В случае любой электрической или механической неисправности немедленно выключите инструмент и выньте вилку из розетки
- При повреждении или разрезании сетевого шнура во время работы не прикасайтесь к нему, и немедленно выньте вилку из розетки
- Категорически запрещается пользоваться инструментом при повреждении электрического шнура; специально подготовленный электрический шнур можно найти в сервисном центре для электроинструментов SKIL, замена должна производиться квалифицированным персоналом
- Перед тем как положить инструмент, выключите двигатель и убедитесь в том, что все движущиеся детали полностью остановились

## РАСПИЛИВАНИЕ ИЛИ РЕЗКА

- **При выполнении работ, при которых рабочий инструмент может задеть скрытую электропроводку или собственный сетевой кабель, держите электроинструмент за изолированные ручки** (контакт с находящейся

под напряжением проводной может заряжать металлические части электроинструмента и приводить к удару электрическим током)

- **Держите руки подальше от зоны выполнения резки**; ни в коем случае не трогайте разрезаемый материал снизу во время резки
- **Используйте подходящие металлодетекторы для нахождения скрытых проводов снабжения или наведите справки в местных предприятиях коммунального хозяйства** (контакт с электропроводкой может привести к пожару и электрическому удару; повреждение газопровода может привести к взрыву; повреждение водопровода может привести к повреждению имущества или вызвать электрический удар)
- Не используйте деформированные, тупые пилки/диски и т.п. и пилки/диски с трещинами

## ШЛИФОВКА

- **Используйте инструмент только для сухой шлифовки** (попадание воды в инструмент повышает риск поражения электрическим током)
- Не следует прикасаться к движущейся шлифовальной листе
- Не следует использовать изношенную, порванную или сильно загрязнённую шлифовальную листы
- При обработке металлической поверхности наблюдается искрение; не следует использовать пылесос, а также нельзя допускать в рабочую зону посторонних людей и воспламеняемые материалы

## ПОЯСНЕНИЕ К УСЛОВНЫМ ОБОЗНАЧЕНИЯМ НА ИНСТРУМЕНТЕ

- ③ На этот инструмент можно устанавливать наиболее распространенные многофункциональные насадки, включая существующие базовые насадки OIS и Starlock
- ④ Перед использованием ознакомьтесь с руководством по эксплуатации
- ⑤ Двойная изоляция (заземляющий провод не требуется)
- ⑥ Не выкидывайте инструмент вместе с бытовым мусором

## ИСПОЛЬЗОВАНИЕ

- Сменные насадки ⑦
- **! разъединить штепсельный разъём**
  - снимайте или устанавливайте требуемые насадки, как показано на рисунке
  - убедитесь, что в отверстия насадки входят выступы на головке инструмента (возможно любое положение фиксации)
  - устанавливайте насадку вогнутым центром вниз
  - ослабьте или затягивайте винт В с помощью шестигранного ключа А
- **проверьте надежность фиксации насадки** (неправильно или ненадежно закрепленные насадки могут отделяться во время работы и представлять опасность)
- Установка шлифовочного листа ⑧
  - очищайте клейкую часть шлифовального листа VELCRO перед установкой насадки со шкуркой С
  - установите наждачный лист VELCRO D как показано

- ! система отсасывания пыли требует использования перфорированных шлифовочных листов
- ! перфорация в шлифовочных листах должна соответствовать перфорации в основании шлифмашины
- ! меняйте стертые шлифовочные листы вовремя
- ! всегда используйте инструмент при условии, что шлифовальный лист покрывает всю шлифовальную поверхность VELCRO

#### • Отсасывание пыли ⑨

##### ! разъединить штепсельный разъём

- используйте пылеудаляющее устройство E исключительно при работе со шлифовальной прокладкой C
- монтируйте пылеудаляющее устройство E, как указано на рисунке
- подключите пылесос

##### ! не используйте пылеудаляющее устройство или пылесос при шлифовке металла

- для оптимального сбора пыли регулярно чистите пылеудаляющее устройство E

#### • Вкл/Выкл

- Инструмент включается/выключается перемещением переключателя F ② в положение "I"/"O"

##### ! до контакта с обрабатываемыми поверхностями скорость вращения устройства должна быть доведена до максимальной

- ! перед тем как выключить инструмент, его следует поднять над обрабатываемым изделием

#### • Регулировка рабочей скорости ⑩

- с помощью регулятора G можно отрегулировать требуемую частоту колебаний от низкого уровня (1) до высокого (6) (это можно выполнять при работающем инструменте)
- оптимальная рабочая скорость зависит от используемого материала и может быть определена на практике

#### • Световой индикатор J ⑪

- Светодиодный индикатор J включается автоматически при включении выключателя F

#### • Удержание и направление инструмента ⑫

- ! во время работы, всегда держите инструмент за места правильного хвата, которые обозначены серым цветом

- содержат вентиляционные отверстия H не закрытыми

- избегайте излишнего нажима на инструмент (при сильном нажиме пилка перегревается, что может привести к ее преждевременному износу)

#### • Ограничитель глубины M (DEPTH STOP) (не входит в стандартный комплект поставки) ⑬

## СОВЕТЫ ПО ИСПОЛЬЗОВАНИЮ

- Для обеспечения оптимальных результатов при работе с различными материалами используйте таблицу ⑭ для справок, чтобы правильно подобрать принадлежность (включены нестандартные принадлежности)
- См дополнительную информацию на сайте [www.skil.com](http://www.skil.com)

## ТЕХОБСЛУЖИВАНИЕ / СЕРВИС

- Данный инструмент не подходит для промышленного использования
- Всегда содержите инструмент и его шнур в чистоте (особенно вентиляционные отверстия H ②)  
! перед чисткой инструмента выньте вилку из розетки
- Если инструмент, несмотря на тщательные методы изготовления и испытания, выйдет из строя, то ремонт следует производить силами авторизованной сервисной мастерской для электроинструментов фирмы SKIL
  - отправьте неразобранный инструмент со свидетельством покупки Вашему дилеру или в ближайшую станцию обслуживания фирмы SKIL (адреса и схема обслуживания инструмента приведены в вебсайте [www.skil.com](http://www.skil.com))
- Примите к сведению, что повреждения вследствие перегрузки или ненадлежащего обращения с инструментом не будут включены в гарантию (условия гарантии SKIL см. на сайте [www.skil.com](http://www.skil.com) или узнайте у дилера в Вашем регионе)

## ОХРАНА ОКРУЖАЮЩЕЙ СРЕДЫ

- Не выкидывайте электроинструмент, принадлежности и упаковку вместе с бытовым мусором (только для стран ЕС)
  - во исполнение европейской директивы 2012/19/ЕС об утилизации отслужившего свой срок электрического и электронного оборудования и в соответствии с действующим законодательством, утилизация электроинструментов производится отдельно от других отходов на предприятиях, соответствующих условиям экологической безопасности
  - значок ⑥ напоминает Вам об этом, когда появится необходимость сдать электроинструмент на утилизацию

## ШУМ / ВИБРАЦИЯ

- Согласно измерениям в соответствии с EN 62841 уровень звукового давления этого инструмента составляет 86,5 дБ(A), уровень звуковой мощности — 97,5 дБ(A) (погрешность K = 3 дБ), а вибрация \* (векторная сумма по трем осям; погрешность K = 1,5 м/с<sup>2</sup>)
  - \* при зачистке 3.4 м/с<sup>2</sup>
- Уровень вибрации был измерен в соответствии со стандартизированным испытанием, содержащимся в EN 62841; данная характеристика может использоваться для сравнения одного инструмента с другим, а также для предварительной оценки воздействия вибрации при использовании данного инструмента для указанных целей
  - при использовании инструмента в других целях или с другими/неисправными вспомогательными приспособлениями уровень воздействия вибрации может значительно **повышаться**
  - в периоды, когда инструмент отключен или функционирует без фактического выполнения работы, уровень воздействия вибрации может значительно **снижаться**

! захищайте себе от воздействия вибрации, поддерживая инструмент и его вспомогательные приспособления в исправном состоянии, поддерживая руки в тепле, а также правильно организуя свой рабочий процесс

UA

## Багатофункціональний інструмент 1491

### ВСТУП

- Цей інструмент призначений для розпилювання та розрізання деревини, пластину, штукатурки, металів та м'якої облицювальної плитки, а також для сухого шліфування і шабрування невеликих поверхонь
- Він особливо придатний для роботи понад краєм та врівень з краєм
- Цей інструмент не придатний для промислового використання
- Для даного інструмента підходять більшість насадок для універсальних інструментів, включно з наявними у продажу насадками OIS та Starlock ③
- Прочитайте і збережіть цю Інструкцію з експлуатації ④

### ТЕХНІЧНІ ДАНІ ①

### ЕЛЕМЕНТИ ІНСТРУМЕНТА ②

- A Шестигранний ключ
  - B Закріпний гвинт з шайбою
  - C Абразивна накладка
  - D Наждачний лист
  - E Механізм видалення пилу
  - F Вимикач живлення
  - G Колесо вибору швидкості
  - H Вентиляційні отвори
  - J Світлодіодний індикатор
  - K Сегментне лезо пили \*
  - L Лезо пили для обробки врізанням
  - M Обмежувач глибини \*
- \* СТАНДАРТНО В КОМПЛЕКТ НЕ ВКЛЮЧАЄТЬСЯ

### БЕЗПЕКА

#### ЗАГАЛЬНІ ВКАЗІВКИ З ТЕХНІКИ БЕЗПЕКИ ПОВОДЖЕННЯ З ЕЛЕКТРОІНСТРУМЕНТАМИ

**⚠ ПОПЕРЕДЖЕННЯ** Уважно вивчіть запобіжні заходи та ілюстрації, а також прочитайте вказівки та технічні умови, що входять в комплект поставки цього електроінструменту. Недотримання нижчеперелічених вказівок у повному обсязі може спричинити ураження електричним струмом, пожежу та / або серйозну травму.

**Добре зберігайте на майбутнє ці попередження і вказівки.**

Під поняттям “електроприлад” в цих попередженнях мається на увазі електроприлад, що працює від мережі

(з електрокабелем) або від акумуляторної батареї (без електрокабелю).

#### 1) БЕЗПЕКА НА РОБОЧОМУ МІСЦІ

- a) **Примайте своє робоче місце в чистоті та прибирайте його.** Безлад або погане освітлення на робочому місці можуть призводити до нещасних випадків.
- b) **Не працюйте з приладом у середовищі, де існує небезпека вибуху внаслідок присутності горючих рідин, газів або пилу.** Електроприлади можуть породжувати іскри, від яких може займатися пил або пари.
- c) **Під час працювання з приладом не підпускайте до робочого місця дітей та інших людей.** Ви можете втратити контроль над приладом, якщо Ваша увага буде відвернута.

#### 2) ЕЛЕКТРИЧНА БЕЗПЕКА

- a) **Штепсель приладу повинен пасувати до розетки. Не дозволяється що-небудь міняти в штепселі. Для роботи з приладами, що мають захисне заземлення, не використовуйте адаптери.** Використання оригінального штепселя та належної розетки зменшує ризик удару електричним струмом.
- b) **Уникайте контакту частей тіла із заземленими поверхнями, як напр., трубами, батареями опалення, печами та холодильниками.** Коли Ваше тіло заземлене, існує збільшена небезпека удару електричним струмом.
- c) **Захищайте прилад від дощу та вологи.** Попадання води в електроінструмент збільшує ризик удару електричним струмом.
- d) **Не використовуйте кабель для перенесення приладу, підвішування або витягування штепселя з розетки. Захищайте кабель від жару, олії, гострих країв та деталей приладу, що рухаються.** Пошкоджений або закручений кабель збільшує ризик удару електричним струмом.
- e) **Для зовнішніх робіт обов'язово використовуйте лише такий подовжувач, що допущений для зовнішніх робіт.** Використання подовжувача, що розрахований на зовнішні роботи, зменшує ризик удару електричним струмом.
- f) **Якщо не можна запобігти використанню електроприладу у вологому середовищі, використовуйте пристрій захисту від витоку в землю.** Використання зристою захисту від витоку в землю зменшує ризик удару електричним струмом.

#### 3) БЕЗПЕКА ЛЮДЕЙ

- a) **Будьте уважними, слідкуйте за тим, що Ви робите, та розсудливо поведіться під час роботи з електроприладом. Не користуйтеся приладом, якщо Ви стомлені або знаходитесь під дією наркотиків, спиртних напоїв або лік.** Мить неухважності при користуванні приладом може призводити до серйозних травм.
- b) **Вдягайте особисте захисне спорядження та обов'язово вдягайте захисні окуляри.** Вдягання особистого захисного спорядження, як напр., - в залежності від виду робіт - захисної маски, спецвзуття, що не ковзається, наски або навушників, зменшує ризик травм.

- c) Уникайте ненавмисного вмикання. Перш ніж вмикати електроприлад в електромережу або встромляти акумуляторну батарею, брати його в руки або переносити, впевніться в тому, що електроприлад вимкнений. Тримання пальця на вимикачі під час перенесення електроприладу або встромлення в розетку увімкненого приладу може призводити до травм.
- d) Перед тим, як вмикати прилад, приборіть налагоджувальні інструменти та гайковий ключ. Знаходження налагоджувального інструмента або ключа в деталі, що обертається, може призводити до травм.
- e) Не переоцінюйте себе. Зберігайте стійке положення та завжди зберігайте рівновагу. Це дозволить Вам краще зберігати контроль над приладом у несподіваних ситуаціях.
- f) Вдягайте придатний одяг. Не вдягайте просторий одяг та прикраси. Не підставляйте волосся й одяг до деталей, що рухаються. Просторий одяга, прикраси та довге волосся можуть попадати в деталі, що рухаються.
- g) Якщо існує можливість монтувати пиловідсмоктувальні або пилоуловлювальні пристрої, переконайтеся, щоб вони були добре під'єднані та правильно використовувалися. Використання пиловідсмоктувального пристрою може зменшити небезпеки, зумовлені пилом.
- h) Добре знання електроінструментів, отримане в результаті частого їх використання, не повинно призводити до самовпевненості й ігнорування принципів техніки безпеки. Необережна дія може в одну мить призвести до важкої травми.
- 4) ПРАВИЛЬНЕ ПОВОДЖЕННЯ ТА КОРИСТУВАННЯ ЕЛЕКТРОПРИЛАДАМИ**
- a) Не перевантажуйте прилад. Використовуйте такий прилад, що спеціально призначений для певної роботи. З придатним приладом Ви з меншим ризиком отримаєте кращі результати роботи, якщо будете працювати в зазначеному діапазоні потужності.
- b) Не користуйтеся приладом з пошкодженим вимикачем. Прилад, який не можна увімкнути або вимкнути, є небезпечним і його треба відремонтувати.
- c) Перед тим, як регулювати що-небудь на приладі, міняти приладдя або ховати прилад, витягніть штепсель із розетки та/або витягніть акумуляторну батарею, якщо вона знімається. Ці попереджувальні заходи з техніки безпеки зменшують ризик ненавмисного запуску приладу.
- d) Зберігайте електроприлади, якими Ви саме не користуєтесь, далеко від дітей. Не дозволяйте користуватися електроприладом особам, що не знайомі з його роботою або не читали ці вказівки. У разі застосування недосвідченими особами прилади несуть в собі небезпеку.
- e) Старанно доглядайте за електроінструментами і приладдям. Перевірте, щоб рухоми деталі приладу бездоганно працювали та не заїдали, не були поламаними або настільки пошкодженими, щоб це могло вплинути на функціонування приладу. Пошкоджені деталі треба

- відремонтувати в авторизованій майстерні, перш ніж ними можна знову користуватися. Велика кількість нещасних випадків спричиняється поганим доглядом за електроприладами.
- f) Тримайте різальні інструменти добре нагостреними та в чистоті. Старанно доглянуті різальні інструменти з гострим різальним краєм менше застряють та їх легше вести.
- g) Використовуйте електроприлади, приладдя до них, робочі інструменти т.і. відповідно до цих вказівок. Беріть до уваги при цьому умови роботи та специфіку виноуваної роботи. Використання електроприладів для робіт, для яких вони не передбачені, може призводити до небезпечних ситуацій.
- h) Тримайте рукоятки і поверхні захвату сухими і чистими, слідуйте, щоб на них не було оливи або густого мастила. Слизькі рукоятки і поверхні захвату унеможливають безпечне поводження з електроінструментом та його контролювання в неочікуваних ситуаціях.
- 5) СЕРВІС**
- a) Віддавайте свій прилад на ремонт лише кваліфікованим фахівцям та лише з використанням оригінальних запчастин. Це забезпечить безпеку приладу на довгий час.

## ПРАВИЛА ТЕХНІКИ БЕЗПЕКИ ДЛЯ БАГАТОФУНКЦІОНАЛЬНИХ ІНСТРУМЕНТІВ

### ЗАГАЛЬНЕ

- Цей інструмент не можна використовувати особам віком до 16 років
- Використовуйте повністю розгорнений шнур подовжувача, який може витримувати навантаження в 16 Ампер
- Перед роботою перевірте відповідність струму в мережі із струмом, позначені на інструменті
- Не допускайте пошкоджень, які можуть нанести шурупи, цвяхи і інші елементи вашою виробу; видаляйте їх перед початком роботи
- Пил від таких матеріалів, як свинцювотримуюча фарба, деякі породи дерева, мінерали й метал, може бути шкідливим (контакт із таким пилом або його вдихання може стати причиною виникнення в оператора або осіб, що перебувають поруч, алергійних реакцій і/або респіраторних захворювань); надягайте респіратор і працюйте з пиловидалюючим пристроєм під час увімкнення інструмента
- Деякі види пилу класифікуються як канцерогенні (наприклад, дубовий або буковий пил), особливо в сполученні з добавками для кондиціонування деревини; надягайте респіратор і працюйте з пиловидалюючим пристроєм під час увімкнення інструмента
- Слідуйте інструкціям по роботі з матеріалами, продукуючими пил
- Застосовуйте затисначі або інші засоби фіксації та опори виробу на стабільній платформі (затискання виробу руками або з притисканням до тіла робить його нестабільним та може призвести до втрати контролю за інструментом)



- **Не обробляйте матеріали, що містять асбест** (асбест вважається канцерогенним)
- **З метою зменшення ризику випадкового вмикання інструменту завжди вимикайте його вилку з розетки під час перерв у роботі, а також перед чищенням, обслуговуванням, виконанням налаштувань та заміною насадок**
- При роботі завжди міцно тримайте інструмент двома руками та займайте надійну позу
- Не дозволяйте шнуру живлення стикатися з рухомими частинами інструменту; завжди викладайте шнур за задньою частиною інструменту
- **Під час заміни насадок одягайте захисні рукавички** (торкання до гострих насадок може спричинити травми)
- У разі електричної або механічної несправності, негайно відключіть інструмент і вимкніть з розетки
- Якщо шнур пошкоджений або прорізаний при роботі, не доторкайтеся до нього і негайно витягніть його з розетки
- Категорично забороняється користуватися інструментом при пошкодженні електричного шнура; спеціально підготовлений електричний шнур можна знайти в сервісному центрі для електроінструментів SKIL, заміна повинна проводитися кваліфікованим персоналом
- Коли ви закінчили роботу з інструментом, вимкніть мотор і переконайтеся, що всі рухомі частини повністю зупинилися

#### **ПІД ЧАС РОЗПИЛЮВАННЯ/РІЗАННЯ**

- **При роботах, коли робочий інструмент може зачепити заховану електропроводку або власний шнур живлення, тримайте електроінструмент за ізольовані рукоятки** (зачеплення проводки, що знаходиться під напругою, може заряджувати також і металеві частини електроінструмента та призводити до удару електричним струмом)
- **Тримайте руки подалі від зони виконання різання;** під час різання у жодному разі не торкайтеся знизу матеріалу, що розрізається
- **Використовуйте придатні пошукові прилади для знаходження захованих в будівлі труб та кабелів або зверніться за допомогою в місцеве підприємство електро-, газо- та водопостачання** (зачеплення електропроводки може призводити до пожежі та удару електричним струмом; зачеплення газової труби може призводити до вибуху; зачеплення водопровідної труби може завдати шкоду матеріальним цінностям або призводити до удару електричним струмом)
- Не використовуйте тупі, деформовані та поламані пилки

#### **ПІД ЧАС АБРАЗИВНОГО ШЛІФУВАННЯ**

- **Використовуйте даний інструмент тільки для сухого шліфування** (потрапляння води всередину інструмента підвищує ризик ураження електрострумом)
- Не торкайтеся до рухомого наждачного листа
- Не використовуйте зношені, порвані або засмічені наждачні листи
- При обробці металу можуть з'являтися іскри; не використовуйте пиросос і видаліть займість матеріали з робочої зони

#### **ПОЯСНЕННЯ ДО УМОВНИХ ПОЗНАЧОК НА ІНСТРУМЕНТІ**

- ③ Для даного інструмента підходять більшість насадок для універсальних інструментів, включно з наявними у продажу основними насадками OIS та Starlock
- ④ Перед використанням прочитайте інструкцію із застосування
- ⑤ Подвійна ізоляція (заземлюючий провід не потрібен)
- ⑥ Не викидайте інструмент разом зі звичайним сміттям

#### **ВИКОРИСТАННЯ**

- **Заміна приладдя ⑦**  
**! вийняти вилку з розетки**  
 - знімайте/встановлюйте необхідну насадку згідно з інструкціями на малюнку  
 - переконайтеся, що передбачені на насадці отвори входять в виступи голівки інструменту (в усіх можливих заціплювальних положеннях)  
 - встановлюйте насадку втисненим центром вниз  
 - розкручіть/затягуйте гвинт В шестигранним ключем А  
 - **перевірте, що насадка сидить туго** (неправильно та ненадійно закріплена насадка може ослабитися під час експлуатації та призвести до виникнення небезпечних ситуацій)
- **Установка наждачного листа ⑧**  
 - вибийте пил з матеріалу VELCRO на абразивній накладці, С перш ніж встановлювати наждачний лист  
 - встановіть наждачний лист VELCRO D як показано на малюнку  
**! для засмонтування пилу потрібні перфоровані наждачні листи**  
**! перфорація в наждачному листі повинна співпадати з перфорацією в робочій пластині**  
**! своєчасно замінюйте наждачні листи**  
**! завжди повністю закривайте робочу поверхню VELCRO наждачним папером**
- **Пилуволлювання ⑨**  
**! вийняти вилку з розетки**  
 - використовуйте механізм видалення пилу Е тільки при роботі з абразивною накладкою С  
 - встановлюйте механізм видалення пилу Е згідно з інструкціями на малюнку  
 - під'єднайте пиросос  
**! не використовуйте механізм видалення пилу/ пиросос при шліфуванні металу**  
 - регулярно очищуйте механізм видалення пилу Е для кращого пилуволлювання
- **Вкл/Викл**  
 - Вкл/викл. інструмент поставивши вимикач F ② у положення "I"/"O"  
**! перш ніж приладдя торкнеться оброблюваного виробу, інструмент повинен набрати повні оберти**  
**! перш ніж вимкнути інструмент, його треба відвести від оброблюваного виробу**
- **Відрегулюйте робочу швидкість ⑩**  
 - колесом для регулювання G необхідну частоту коливаль можна регулювати від низької (1) до високої (6) (також під час роботи)

- оптимальна робоча швидкість залежить від матеріалу і може визначатися шляхом практичних випробувань
- Світлодіодний індикатор J ⑪
  - Світлодіодний індикатор J загоряється автоматично при включенні перемикача F
- Утримування і робота інструментом ⑫
  - ! під час роботи, завжди тримайте інструмент за частини захвату сірого кольору**
  - тримайте вентиляційні отвори H незакритими
  - уникайте надмірного натиску на інструмент (сильний натиск спричиняє надмірний нагрів пилки та може призвести до її передчасного зношування)
- Обмежувач глибини M (DEPTH STOP) (не включається в стандартний комплект поставки) ⑬

## ПОРАДИ ПО ВИКОРИСТАННЮ

- Для отримання найкращих результатів при роботі з різними матеріалами використовуйте таблицю ⑭ для визначення відповідної насадки (насадки не включаються в стандартний комплект поставки)
- Див додаткову інформацію на [www.skil.com](http://www.skil.com)

## ДОГЛЯД/ОБСЛУГОВУВАННЯ

- Цей інструмент не придатний для промислового використання
- Завжди тримайте інструмент та його шнур в чистоті (особливо вентиляційні отвори H ②)
  - ! перед чисткою інструменту необхідно роз'єднати штепсельний роз'єм**
- Якщо незважаючи на ретельну технологію виготовлення і перевірки інструмент все-таки вийде з ладу, його ремонт дозволяється виконувати лише в авторизованій сервісній майстерні для електроприладів SKIL
  - надішліть **нерозібраний** інструмент разом з доказом купівлі до Вашого дилера або до найближчого центру обслуговування SKIL (адреси, а також діаграма обслуговування пристрою, подаються на сайті [www.skil.com](http://www.skil.com))
- Візьміть до відома, що ушкодження внаслідок перевантаження або неналежного поводження з інструментом не будуть включені в гарантію (умови гарантії SKIL див. на сайті [www.skil.com](http://www.skil.com) або довідайтеся в дилера у Вашому регіоні)

## ОХОРОНА НАВКОЛИШНЬОЇ СЕРЕДИ

- **Не викидайте електроінструмент, належності та упаковку разом зі звичайним сміттям** (тільки для країн ЄС)
  - відповідно до європейської директиви 2012/19/ЄС щодо утилізації старих електричних та електронних приладів, в залежності з місцевим законодавством, електроінструмент, який перебував в експлуатації повинен бути утилізований окремо, безпечним для навколишнього середовища шляхом
  - малюнок ⑥ нагадає вам про це

## ШУМ / ВІБРАЦІЯ

- За вимірами відповідно до EN 62841 рівень звукового тиску цього інструменту становлює

86,5 дБ(A) та рівень потужності звуку дорівнює 97,5 дБ(A) (коефіцієнт недостовірності K = 3 дБ), а вібрація \* (трисекційна векторна сума; коефіцієнт недостовірності K = 1,5 м/с<sup>2</sup>)

\* шліфування 3.4 м/с<sup>2</sup>

- Рівень вібрації було виміряно у відповідності зі стандартизованим випробуванням, що міститься в EN 62841; дана характеристика може використовуватися для порівняння одного інструмента з іншим, а також для попередньої оцінки впливу вібрації під час застосування даного інструмента для вказаних цілей
  - при використанні інструмента в інших цілях або з іншими/несправними допоміжними пристосуваннями рівень впливу вібрації може значно **підвищуватися**
  - у періоди, коли інструмент вимкнений або функціонує без фактичного виконання роботи, рівень впливу вібрації може значно **знижуватися**
- ! захищайте себе від впливу вібрації, підтримуючи інструмент і його допоміжні пристосування в справному стані, підтримуючи руки в теплі, а також правильно організовуючи свій робочий процес**

GR

## Εργαλείο πολλαπλής χρήσης

1491

### ΕΙΣΑΓΩΓΗ

- Αυτό το εργαλείο προορίζεται για πριόνισμα και κόψιμο σε ξύλα, πλαστικά, σοβά, μέταλλα και μαλακά πλακάκια τοίχου, καθώς και για την ξηρή λείανση και απόξεση μικρών επιφανειών
- Είναι ιδιαίτερα κατάλληλο για εργασίες κοντά στο περιθώριο καθώς και για την εξομάλυνση ακμών πολλών αλλεπάλληλων επιφανειών
- Αυτό το εργαλείο δεν προορίζεται για επαγγελματική χρήση
- Αυτό το εργαλείο δέχεται τα περισσότερα αξεσουάρ από εκείνα που συνήθως διατίθενται για πολυεργαλεία, συμπεριλαμβανομένων των αξεσουάρ της OIS και Starlock ③
- Διαβάστε και φυλάξτε αυτές τις οδηγίες χρήσεως ④

## ΤΕΧΝΙΚΑ ΧΑΡΑΚΤΗΡΙΣΤΙΚΑ ①

### ΜΕΡΗ ΤΟΥ ΕΡΓΑΛΕΙΟΥ ②

- A** Εξάγωνο κλειδί
- B** Βίδα στερέωσης με ροδέλα
- C** Πέλαμα λείανσης
- D** Φύλλο γυαλόχαρτο
- E** Μηχανισμός απομάκρυνσης σκόνης
- F** Διακόπτης εκκίνησης/στάσης
- G** Τροχίσκος επιλογής ταχύτητας
- H** Σχισμές αερισμού
- J** Λαμπάκι LED
- K** Διαρρούμενη πριονόλαμα \*
- L** Πριονόλαμα βυθίζομενης κόπης
- M** Εξάρτημα ρύθμισης βάθους \*

\* ΔΕΝ ΠΕΡΙΛΑΜΒΑΝΕΤΑΙ ΣΤΗ ΣΤΑΝΤΑΡ ΣΥΣΚΕΥΑΣΙΑ

## ΑΣΦΑΛΕΙΑ

### ΓΕΝΙΚΕΣ ΥΠΟΔΕΙΞΕΙΣ ΑΣΦΑΛΕΙΑΣ ΓΙΑ ΗΛΕΚΤΡΙΚΑ ΕΡΓΑΛΕΙΑ

**▲ ΠΡΟΕΙΔΟΠΟΙΗΣΗ** Διαβάστε όλες τις προειδοποιήσεις ασφαλείας καθώς και τις οδηγίες, εικόνες και προδιαγραφές που παρέχονται με αυτό το ηλεκτρικό εργαλείο. Αμέλεια τήρησης όλων των οδηγιών που παρατίθενται παρακάτω μπορεί να προκαλέσει ηλεκτροπληξία, πυρκαγιά ή/και σοβαρό τραυματισμό.

**Φυλάξτε όλες τις υποδείξεις ασφαλείας και τις οδηγίες για το μέλλον.**

Ο ορισμός “ηλεκτρικό εργαλείο” που χρησιμοποιείται στις προειδοποιητικές υποδείξεις αναφέρεται σε ηλεκτρικά εργαλεία που τροφοδοτούνται από το ηλεκτρικό δίκτυο (με ηλεκτρικό καλώδιο) καθώς και σε ηλεκτρικά εργαλεία που τροφοδοτούνται από μπαταρία (χωρίς ηλεκτρικό καλώδιο).

#### 1) ΑΣΦΑΛΕΙΑ ΣΤΟ ΧΩΡΟ ΕΡΓΑΣΙΑΣ

- Διατηρείτε το χώρο που εργάζεσθε καθαρό και καλά φωτισμένο.** Αταξία στο χώρο που εργάζεσθε ή μη φωτισμένες περιοχές εργασίας μπορεί να οδηγήσουν σε ατυχήματα.
- Μην εργάζεσθε με το ηλεκτρικό εργαλείο σε περιβάλλον που υπάρχει κίνδυνος έκρηξης, στο οποίο υπάρχουν εύφλεκτα υγρά, αέρια ή σκόνη.** Τα ηλεκτρικά εργαλεία μπορεί να δημιουργήσουν σπινθηρισμό ο οποίος μπορεί να αναφλέξει τη σκόνη ή τις αναθυμιάσεις.
- Όταν χρησιμοποιείτε το ηλεκτρικό εργαλείο κρατάτε τα παιδιά κι άλλα τυχόν πρόσωπα μακριά από το χώρο που εργάζεσθε.** Σε περίπτωση που άλλα άτομα αποσπάσουν την προσοχή σας μπορεί να χάσετε τον έλεγχο του μηχανήματος.

#### 2) ΗΛΕΚΤΡΙΚΗ ΑΣΦΑΛΕΙΑ

- Το φως του καλωδίου του ηλεκτρικού εργαλείου πρέπει να ταιριάζει στην αντίστοιχη πρίζα. Δεν επιτρέπεται με κανένα τρόπο η μετασκευή του φως.** Μη χρησιμοποιείτε προσαρμοστικά φως σε συνδυασμό με ηλεκτρικά εργαλεία συνδεδεμένα με τη γη (γειωμένα). Αθικά φως και κατάλληλες πρίζες μειώνουν τον κίνδυνο ηλεκτροπληξίας.
  - Αποφεύγετε την επαφή του σώματος σας με γειωμένες επιφάνειες όπως σωλήνες, θερμαντικά σώματα (καλοριφέρ), κουζίνες και ψυγεία.** Όταν το σώμα σας είναι γειωμένο αυξάνεται ο κίνδυνος ηλεκτροπληξίας.
  - Μην εκθέτετε το ηλεκτρικό εργαλείο στη βροχή ή την υγρασία.** Η διείσδυση νερού στο ηλεκτρικό εργαλείο αυξάνει τον κίνδυνο ηλεκτροπληξίας.
  - Μη χρησιμοποιείτε το καλώδιο για να μεταφέρετε ή ν' αναρτήσετε το ηλεκτρικό εργαλείο ή για να βγάλετε το φως από την πρίζα. Κρατάτε το καλώδιο μακριά από υψηλές θερμοκρασίες, λάδια, κοφτερές ακμές ή κινούμενα εξαρτήματα.** Τυχόν χαλασμένα ή μπερδεμένα καλώδια αυξάνουν τον κίνδυνο ηλεκτροπληξίας.
  - Όταν εργάζεσθε με το ηλεκτρικό εργαλείο στο ύπαιθρο χρησιμοποιείτε πάντοτε καλώδια επιμήκυνσης (μπαλαντάζες) που έχουν εγκριθεί για χρήση σε εξωτερικούς χώρους.** Η χρήση καλωδίων επιμήκυνσης εγκριμένων για εργασία σε εξωτερικούς χώρους μειώνει τον κίνδυνο ηλεκτροπληξίας.
- Όταν η χρήση του ηλεκτρικού εργαλείου σε υγρό περιβάλλον είναι αναπόφευκτη, τότε χρησιμοποιήστε έναν προστατευτικό διακόπτη διαρροής.** Η χρήση ενός προστατευτικού διακόπτη διαρροής ελαττώνει τον κίνδυνο ηλεκτροπληξίας.
- ΑΣΦΑΛΕΙΑ ΠΡΟΣΩΠΩΝ**
    - Να είσθε πάντοτε προσεκτικός/προσεκτική, να δίνετε προσοχή στην εργασία που κάνετε και να χειρίζεστε το ηλεκτρικό εργαλείο με περίσκεψη. Μην κάνετε χρήση του ηλεκτρικού εργαλείου όταν είσθε κουρασμένος/κουρασμένη ή όταν βρίσκεσθε υπό την επιρροή ναρκωτικών, οινοπνεύματος ή φαρμάκων.** Μια στιγμήα απροσεξία κατά το χειρισμό του ηλεκτρικού εργαλείου μπορεί να οδηγήσει σε σοβαρούς τραυματισμούς.
    - Φοράτε προστατευτικά ενδύματα και πάντοτε προστατευτικά γυαλιά.** Όταν φοράτε ενδύματα ασφαλείας, ανάλογα με το υπό χρήση ηλεκτρικό εργαλείο, όπως προσωπίδα προστασίας από σκόνη, αντιολισθητικά παπούτσια ασφαλείας, κράνη ή ωτασπίδες, μειώνεται ο κίνδυνος τραυματισμών.
    - Αποφεύγετε την αθέλητη εκκίνηση. Βεβαιωθείτε ότι το ηλεκτρικό εργαλείο έχει αποζευχτεί πριν το συνδέσετε με το ηλεκτρικό δίκτυο ή/και με την μπαταρία καθώς και πριν το παραλάβετε ή το μεταφέρετε.** Όταν μεταφέρετε το ηλεκτρικό εργαλείο έχοντας το δάχτυλό σας στο διακόπτη ή όταν συνδέσετε το μηχανήμα με την πηγή ρεύματος όταν αυτό είναι ακόμη συζευγμένο, τότε δημιουργείται κίνδυνος τραυματισμών.
    - Αφαιρείτε από τα ηλεκτρικά εργαλεία πριν τα θέσετε σε λειτουργία τυχόν συναρμολογημένα χρησιμοποιήσιμα εργαλεία ή κλειδιά.** Ενα εργαλείο ή κλειδί συναρμολογημένο στο περιστρεφόμενο εξάρτημα ενός ηλεκτρικού εργαλείου μπορεί να οδηγήσει σε τραυματισμούς.
    - Μην υπερτιμάτε τον εύλογο σας. Φροντίζετε για την ασφαλή στήριξη του σώματος σας και διατηρείτε πάντοτε την ισορροπία σας.** Αυτό σας επιτρέπει τον καλύτερο έλεγχο το ηλεκτρικού εργαλείου σε περιπτώσεις απροσδόκητων καταστάσεων.
    - Φοράτε κατάλληλη ενδυμασία εργασίας. Μη φοράτε φαρδιά ρούχα ή κοσμήματα. Κρατάτε τα μαλλιά και τα ρούχα σας μακριά από κινούμενα εξαρτήματα.** Χαλαρή ενδυμασία, κοσμήματα και μακριά μαλλιά μπορεί να εμπλακούν στα κινούμενα εξαρτήματα.
    - Αν υπάρχει η δυνατότητα συναρμολόγησης διατάξεων αναρρόφησης ή συλλογής σκόνης, βεβαιωθείτε αν οι διατάξεις αυτές είναι συνδεδεμένες καθώς κι αν χρησιμοποιούνται σωστά.** Η χρήση μιας αναρρόφησης σκόνης μπορεί να ελαττώσει τον κίνδυνο που προκαλείται από τη σκόνη.
    - Μην εφησυχάζετε σε μια λάθος ασφάλεια και μην αφήφατε τους κανόνες ασφαλείας για τα ηλεκτρικά εργαλεία, ακόμα και όταν μετά από συχνή χρήση είστε εξοικειωμένοι με το εργαλείο.**

Ένας απρόσεκτος χειρισμός μπορεί μέσα σε κλάσματα του δευτερολέπτου να οδηγήσει σε σοβαρούς τραυματισμούς.

#### 4) ΧΡΗΣΗ ΚΙ ΕΠΙΜΕΛΗΣ ΧΕΙΡΙΣΜΟΣ ΤΩΝ ΗΛΕΚΤΡΙΚΩΝ ΕΡΓΑΛΕΙΩΝ

- a) **Μην υπερφορτώνετε το ηλεκτρικό εργαλείο. Χρησιμοποιείτε για την εκάστοτε εργασία σας το ηλεκτρικό εργαλείο που προορίζεται γι'αυτήν.** Με το κατάλληλο ηλεκτρικό εργαλείο εργάζεστε καλύτερα και ασφαλέστερα στην αναφερόμενη περιοχή ισχύος.
  - b) **Μη χρησιμοποιήσετε ποτέ ένα ηλεκτρικό εργαλείο του οποίου ο διακόπτης ON/OFF είναι χαλασμένος.** Ένα ηλεκτρικό εργαλείο το οποίο δεν μπορεί να τεθεί πλέον σε ή εκτός λειτουργίας είναι επικίνδυνο και πρέπει να επισκευαστεί.
  - c) **Τραβήξτε το φις από την πρίζα και/ή απομακρύνετε μια αποσπώμενη μπαταρία, προτού εκτελέσετε ρυθμίσεις στο ηλεκτρικό εργαλείο, προτού αλλάξετε εξαρτήματα ή φυλάξετε το ηλεκτρικό εργαλείο.** Αυτά τα προληπτικά μέτρα ασφαλείας μειώνουν τον κίνδυνο από τυχόν αθέλητη εκκίνηση του ηλεκτρικού εργαλείου.
  - d) **Διαφυλάγετε τα ηλεκτρικά εργαλεία που δε χρησιμοποιείτε μακριά από παιδιά. Μην αφήνετε άτομα που δεν είναι εξοικειωμένα με το ηλεκτρικό εργαλείο ή δεν έχουν διαβάσει αυτές τις οδηγίες χρήσης να το χρησιμοποιήσουν.** Τα ηλεκτρικά εργαλεία είναι επικίνδυνα όταν χρησιμοποιούνται από άπειρα πρόσωπα.
  - e) **Φροντίζετε τα ηλεκτρικά εργαλεία και τα εξαρτήματά με επιμέλεια. Ελέγχετε, αν τα κινούμενα εξαρτήματα λειτουργούν άψογα, χωρίς να μπλοκάρουν, ή μήπως έχουν σπάσει ή φθαρεί τυχόν εξαρτήματα τα οποία επηρεάζουν τον τρόπο λειτουργίας του ηλεκτρικού εργαλείου. Δώστε αυτά τα χαλασμένα εξαρτήματα για επισκευή πριν τα ξαναχρησιμοποιήσετε.** Η κακή συντήρηση των ηλεκτρικών εργαλείων αποτελεί αιτία πολλών ατυχημάτων.
  - f) **Διατηρείτε τα κοπτικά εργαλεία κοφτερά και καθαρά.** Τα κοπτικά εργαλεία που συντηρούνται με προσοχή μπορούν να οδηγηθούν εύκολα και να ελεγχθούν καλύτερα.
  - g) **Χρησιμοποιείτε τα ηλεκτρικά εργαλεία, τα εξαρτήματά, τα χρησιμοποιήσιμα εργαλεία κτλ. σύμφωνα με τις παρούσες οδηγίες καθώς. Λαμβάνετε ταυτόχρονα υπόψη σας τις συνθήκες εργασίας και την υπό εκτέλεση εργασία.** Η χρήση του ηλεκτρικού εργαλείου για άλλες εκτός από τις προβλεπόμενες εργασίες μπορεί να δημιουργήσει επικίνδυνες καταστάσεις.
  - h) **Διατηρείτε τις λαβές και επιφάνειες λαβής στεγνές, καθαρές και ελεύθερες από λάδι και γράσο.** Οι ολισθηρές λαβές και επιφάνειες λαβής δεν επιτρέπουν κανέναν ασφαλή χειρισμό και έλεγχο του ηλεκτρικού εργαλείου σε τυχόν απρόβλεπτες καταστάσεις.
- #### 5) ΣΕΡΒΙΣ
- a) **Δίνετε το ηλεκτρικό σας εργαλείο για επισκευή από άριστα ειδικευμένο προσωπικό, μόνο με γνήσια ανταλλακτικά.** Έτσι εξασφαλίζεται η διατήρηση της ασφάλειας του ηλεκτρικού εργαλείου.

## ΥΠΟΔΕΙΞΕΙΣ ΑΣΦΑΛΕΙΑΣ ΓΙΑ ΕΡΓΑΛΕΙΑ ΠΟΛΛΑΠΛΗΣ ΧΡΗΣΗΣ

### ΓΕΝΙΚΑ

- Αυτό το εργαλείο δεν πρέπει να χρησιμοποιείται από άτομα κάτω των 16 ετών
- Χρησιμοποιείτε ασφαλείς, τελειώς ξετυλιγμένες προεκτάσεις καλώδιου με χωρητικότητα 16 Amprs
- Βεβαιωθείτε ότι η τάση του παρεχόμενου ρεύματος είναι ίδια με την τάση που υποδεικνύεται στην πινακίδα δεδομένων του εργαλείου
- Προφυλάξτε το εργαλείο από τυχόν φθορές από ξένα σώματα (βίδες, καρφιά ή άλλα) που ίσως είναι μέσα στο κομμάτι που θα δουλέψετε - αφαιρέστε τα πριν αρχίσετε την εργασία
- Η σκόνη από υλικά όπως μογιές που περιέχουν μόλυβδο, ορισμένα είδη ξύλου, ανόργανα στοιχεία και μέταλλα μπορεί να είναι επιβλαβής (η επαφή ή η εισπνοή της σκόνης μπορεί να προκαλέσει αλλεργικές αντιδράσεις ή/και αναπνευστικές ασθένειες στον χειριστή ή σε άτομα που παρίστανται) - **να φοράτε προσωπίδα προστασίας από τη σκόνη και να εργάζεστε με συσκευή αφαίρεσης σκόνης όταν είναι δυνατό**
- Ορισμένα είδη σκόνης ταξινομούνται ως καρκινογόνα (όπως η σκόνη από τη δρυ ή την οξιά) ιδιαίτερα σε συνδυασμό με πρόσθετα συντήρησης ξύλου - **να φοράτε προσωπίδα προστασίας από τη σκόνη και να εργάζεστε με συσκευή αφαίρεσης σκόνης όταν είναι δυνατό**
- Ακολουθήστε τις σχετικές με σκόνη εθνικές διατάξεις για τα υλικά που θέλετε να εργαστείτε
- **Χρησιμοποιήστε σφικτικές ή άλλο πρακτικό μέσο για να στερεώσετε και να υποστηρίξετε το κομμάτι εργασίας σε ευσταθή πλατφόρμα** (αν κρατάτε το κομμάτι εργασίας με το χέρι ή πάνω στο σώμα σας, αυτό δεν σταθεροποιείται και υπάρχει κίνδυνος απώλειας του ελέγχου)
- **Μην κατεργάζεστε υλικά που περιέχουν αμιάντο** (το αμιάντο θεωρείται σαν καρκινογόνο υλικό)
- **Πάντα να βγάζετε το φις από την πρίζα κατά τα διαλείμματα από την εργασία ή πριν από καθαρισμό, συντήρηση, εκτέλεση ρυθμίσεων και αλλαγή παρελκόμενων, προκειμένου να μειωθεί ο κίνδυνος τυχαίας εκκίνησης του εργαλείου**
- Κατά την εργασία να κρατάτε πάντοτε το εργαλείο σφικτά με τα δύο χέρια και φροντίστε να στέκεστε σταθερά
- Να κρατάτε πάντα το καλώδιο μακριά από τα κινούμενα μέρη του εργαλείου σας - κρατάτε το καλώδιο προς τα πίσω, μακριά από το εργαλείο
- **Να χρησιμοποιείτε προστατευτικά γάντια κατά την αλλαγή εξαρτημάτων** (η επαφή με το εξάρτημα μπορεί να προκαλέσει τραυματισμό)
- Σε περίπτωση ηλεκτρικής ή μηχανικής δυσλειτουργίας, σταματήστε αμέσως το εργαλείο και βγάλτε το από την πρίζα
- Σε περίπτωση που υποστεί βλάβη ή κοπεί το καλώδιο κατά την εργασία, μην αγγίζετε το καλώδιο, αλλά αποσυνδέστε αμέσως το φις από την πρίζα
- Ποτέ μην χρησιμοποιείτε το εργαλείο όταν το καλώδιο είναι φθαρμένο. Θα πρέπει να αντικατασταθεί από ειδικά προετοιμασμένο καλώδιο το οποίο υπάρχει διαθέσιμο στα κέντρα εξυπηρέτησης πελατών για τα ηλεκτρικά εργαλεία της SKIL και η εγκατάσταση του οποίου πρέπει να γίνει από άτομο με ειδικές γνώσεις

- Όταν τελειώνετε την δουλειά σας και ακουμπάτε το εργαλείο στο πλάι, κλείστε τον διακόπτη και βεβαιωθείτε ότι όλα τα κινούμενα μέρη του έχουν σταματήσει εντελώς

#### ΚΑΤΑ ΤΟ ΠΡΙΟΝΙΣΜΑ / ΚΟΨΙΜΟ

- **Να κρατάτε το ηλεκτρικό εργαλείο όταν τις μονωμένες επιφάνειες συγκράτησης δεν υπάρχει κίνδυνος το κοπτικό εξάρτημα να έρθει σε επαφή με μη ρατούς ηλεκτροφόρους αγωγούς ή το ίδιο το καλώδιο του** (η επαφή με έναν ηλεκτροφόρο αγωγό μπορεί να θέσει τα μεταλλικά μέρη του ηλεκτρικού εργαλείου επίσης υπό τάση και προκαλέσει έτσι ηλεκτροπληξία)
- **Φροντίστε τα χέρια σας να βρίσκονται μακριά από την περιοχή κοπής** - μην αγγίζετε το κάτω μέρος του υλικού για οποιονδήποτε λόγο ενώ κόβετε
- **Χρησιμοποιήστε κατάλληλες ανιχνευτικές συσκευές για να εντοπίσετε τυχόν αφανείς τροφοδοτικές γραμμές ή συμβουλευτείτε σχετικά τις επιχειρήσεις παροχής ενέργειας** (επαφή με ηλεκτρικές γραμμές μπορεί να οδηγήσει σε πυρκαϊά ή σε ηλεκτροπληξία - βλάβες σε αγωγούς φωταερίου (γκαζιού) μπορεί να οδηγήσουν σε έκρηξη - η διείσδυση σ' ένα σωλήνα νερού προκαλεί υλικές ζημιές ή μπορεί να προκαλέσει ηλεκτροπληξία)
- Μη χρησιμοποιείτε ραγισμένες, παραμορφωμένες ή στοματωμένες πριονολεπίδες

#### ΚΑΤΑ ΤΟ ΤΡΙΨΙΜΟ

- **Να χρησιμοποιείτε το εργαλείο μόνο για στεγνό τριψίμο** (εάν διεισδύσει νερό μέσα στο εργαλείο, αυξάνεται ο κίνδυνος ηλεκτροπληξίας)
- Μην έρχεστε σε επαφή με το κινούμενο γυαλόχαρτο
- Δεν επιτρέπεται η περαιτέρω χρήση γυαλόχαρτων που έχουν φθαρεί, σχιστεί ή έχουν χάσει τη λειαντική τους ικανότητα
- Όταν λειανείτε μέταλλα παράγονται σπινθήρες - μη χρησιμοποιείτε την ηλεκτρική σκούπα και απομακρύνετε άλλα άτομα και εύφλεκτα υλικά από τον χώρο εργασίας

#### ΕΠΕΞΗΓΗΣΗ ΤΩΝ ΣΥΜΒΟΛΩΝ ΣΤΟ ΕΡΓΑΛΕΙΟ

- ③ Αυτό το εργαλείο δέχεται τα περισσότερα αξεσουάρ από εκείνα που συνήθως διατίθενται για πολυεργαλεία, συμπεριλαμβανομένων των αξεσουάρ OIS και Starlock που υπάρχουν σήμερα
- ④ Διαβάστε το εγχειρίδιο οδηγιών πριν από τη χρήση
- ⑤ Διπλή μόνωση (δεν απαιτείται καλώδιο γείωσης)
- ⑥ Μην πετάτε το εργαλείο στον κάδο οικιακών απορριμμάτων

#### ΧΡΗΣΗ

- Αλλαγή εξαρτημάτων ⑦
- **! Βγάλτε το φιν από την πρίζα**
- αφαιρέστε/τοποθετήστε το απαιτούμενο εξάρτημα όπως εικονίζεται
- βεβαιωθείτε ότι τα ανοίγματα του εξαρτήματος κουμπώνουν με τα πτερύγια της κεφαλής του εργαλείου (οποιαδήποτε θέση κουμπώματος είναι δυνατή)
- τοποθετήστε το εξάρτημα με το βαθουλωμένο κέντρο να είναι στραμμένο προς τα κάτω
- λύστε/σφίγγετε τη βίδα Β με το εξάγωνο κλειδί Α
- **ελέγξτε αν είναι σφικτή η εφαρμογή του εξαρτήματος** (τα εσφαλμένα ή χαλαρά τοποθετημένα εξαρτήματα μπορεί να

απελευθερωθούν κατά τη λειτουργία και να αποτελέσουν κίνδυνο)

- Τοποθέτηση γυαλόχαρτου ⑧
- πριν τοποθετήσετε το γυαλόχαρτο χτυπήστε λίγο τον ιστό αυτοπρόσφυσης του πέλατος λείανσης C για να "σηκωθεί"
- τοποθετήστε το αυτοκόλλητο γυαλόχαρτο (VELCRO) D όπως δείχνει η εικόνα
- **! το σύστημα απορρόφησης σκόνης απαιτεί τη χρήση διατρήτων φύλλων γυαλόχαρτο**
- **! η διάτρηση στο γυαλόχαρτο πρέπει να αντιστοιχεί στη διάτρηση του λειαντικού πέλατος**
- **! αλλάξτε έγκαιρα το φθαρμένα γυαλόχαρτα**
- **! χρησιμοποιείτε το εργαλείο πάντα καλύπτοντας ολόκληρη τη επιφάνεια αυτοπρόσφυσης με γυαλόχαρτο**
- Απορρόφηση σκόνης ⑨
- **! βγάλτε το φιν από την πρίζα**
- χρησιμοποιήστε τη συσκευή απαγωγής σκόνης E μόνο κατά την εργασία με γυαλόχαρτο C
- τοποθετήστε το μηχανισμό απομάκρυνσης σκόνης E όπως εικονίζεται
- συνδέστε την ηλεκτρική σκούπα
- **! μη χρησιμοποιείτε το μηχανισμό απαγωγής σκόνης/την ηλεκτρική σκούπα όταν λειανείτε μέταλλα**
- να καθαρίζετε τακτικά το μηχανισμό απομάκρυνσης σκόνης E για καλύτερη συλλογή της σκόνης
- Εκκίνηση/Σταση
- Ξεκινάτε/σταματάτε το εργαλείο πιέζοντας το διακόπτη F ② στη θέση "I"/"O"
- **! προτού το εξάρτημα κατεργασίας φθάσει το κατεργαζόμενο κομμάτι, το εργαλείο πρέπει να λειτουργεί με πλήρη ταχύτητα**
- **! προτού σταματήσετε το εργαλείο πρέπει να το ανασηκώσετε από το κατεργαζόμενο κομμάτι**
- Ρύθμιση της ταχύτητας λειτουργίας ⑩
- με τον τροχό G μπορεί να ρυθμιστεί η απαιτούμενη συχνότητα ταλάντωσης από χαμηλή (1) μέχρι υψηλή (6) (και όταν το εργαλείο είναι σε λειτουργία)
- η βέλτιστη ταχύτητα εργασίας εξαρτάται από το υλικό και μπορεί να καθοριστεί με δοκιμές στην πράξη
- Λαμπάκι LED J ⑪
- Η λυχνία LED J ανάβει αυτόματα κατά την ενεργοποίηση του διακόπτη F
- Πώς να κρατάτε και να οδηγείτε το εργαλείο ⑫
- **! ενώ εργάζεστε, να κρατάτε πάντα το εργαλείο από τη/τις λαβή/ές με γκρι χρώμα**
- κρατάτε τις σχισμές αερισμού Η ακάλυπτες
- μην ασκείτε υπερβολική πίεση στο εργαλείο (η υπερβολική πίεση θα προκαλέσει υπερθέρμανση και ενδέχεται να μειώσει τη διάρκεια ζωής του εξαρτήματος)
- Εξάρτημα ρύθμισης βάθους M (DEPTH STOP) (δεν περιλαμβάνεται στη στάνταρ συσκευασία) ⑬

#### ΟΔΗΓΙΕΣ ΕΦΑΡΜΟΓΗΣ

- Για άριστα αποτελέσματα σε διάφορα υλικά, χρησιμοποιήστε τον πίνακα ⑭ ως οδηγό για τον προσδιορισμό του κατάλληλου εξαρτήματος (τα εξάρτηματα δεν συμπεριλαμβάνονται στη βασική σύνθεση)
- Για περισσότερες συμβουλές δείτε [www.skil.com](http://www.skil.com)

## ΣΥΝΤΗΡΗΣΗ / ΣΕΡΒΙΣ

- Αυτό το εργαλείο δεν προορίζεται για επαγγελματική χρήση
- Κρατάτε πάντοτε το εργαλείο και το καλώδιο καθαρά (και ιδιαίτερα τις θυρίδες αερισμού H ②)
- ! **αφαιρέστε την πρίζα πριν το καθάρισμα**
- Αν παρ' όλες τις επιμελημένες μεθόδους κατασκευής κι ελέγχου το εργαλείο σταματήσει κάποτε να λειτουργεί, τότε η επίσκεψη του πρέπει να ανατεθεί σ' ένα εξουσιοδοτημένο συνεργείο για ηλεκτρικά εργαλεία της SKIL
  - στείλτε το εργαλείο **χωρίς να το αποσυναρμολογήσετε** μαζί με την απόδειξη αγοράς στο κατάστημα από το οποίο το αγοράσατε ή στον πλησιέστερο σταθμό τεχνικής εξυπηρέτησης της SKIL (θα βρείτε τις διευθύνσεις και το διάγραμμα συντήρησης του εργαλείου στην ιστοσελίδα [www.skil.com](http://www.skil.com))
- Να γνωρίζετε ότι βλάβες που προκαλούνται λόγω υπερφόρτωσης ή ακατάλληλου χειρισμού του εργαλείου, δεν καλύπτονται από την εγγύηση (για τους όρους της εγγύησης της SKIL επισκεφτείτε τη διεύθυνση [www.skil.com](http://www.skil.com) ή απευθυνθείτε στον πλησιέστερο αντιπρόσωπο)

## ΠΕΡΙΒΑΛΛΟΝ

- **Μην πετάτε τα ηλεκτρικά εργαλεία, εξαρτήματα και συσκευασία στον κάδο οικιακών απορριμμάτων** (μόνο για τις χώρες της ΕΕ)
  - σύμφωνα με την ευρωπαϊκή οδηγία 2012/19/ΕΚ περί ηλεκτρικών και ηλεκτρονικών συσκευών και την ενσωμάτωσή της στο εθνικό δίκαιο, τα ηλεκτρικά εργαλεία πρέπει να συλλέγονται ξεχωριστά και να επιστρέφονται για ανακύκλωση με τρόπο φιλικό προς το περιβάλλον
  - το σύμβολο ⑥ θα σας το θυμίσει αυτό όταν έλθει η ώρα να πετάξετε τις

## ΘΟΡΥΒΟΣ / ΚΡΑΔΑΣΜΟΣ

- Βάσει της μέτρησης σύμφωνα με το πρότυπο EN 62841, η στάθμη ηχοπίεσης αυτού του εργαλείου είναι 86,5 dB(A) και η στάθμη ηχοπίεσης του 97,5 dB(A) (αβεβαιότητα K = 3 dB), και ο κραδασμός \* (τριαξονικό διανυσματικό άθροισμα, αβεβαιότητα K = 1,5 m/s<sup>2</sup>) \* κατά τη λείανση 3,4 m/s<sup>2</sup>
- Το επίπεδο παραγωγής κραδασμών έχει μετρηθεί σύμφωνα με μια τυποποιημένη δοκιμή που αναφέρεται στο πρότυπο EN 62841 - μπορεί να χρησιμοποιηθεί για τη σύγκριση ενός εργαλείου με ένα άλλο, καθώς και ως προκαταρκτική αξιολόγηση της έκθεσης στους κραδασμούς όταν το εργαλείο χρησιμοποιείται για τις εφαρμογές που αναφέρονται
  - η χρήση του εργαλείου για διαφορετικές εφαρμογές ή με διαφορετικά ή κακοσυντηρημένα εξαρτήματα μπορεί να **αυξήσει** σημαντικά το επίπεδο έκθεσης
  - όταν το εργαλείο είναι απενεργοποιημένο ή δουλεύει αλλά δεν εκτελεί την εργασία, το επίπεδο έκθεσης μπορεί να **μειωθεί** σημαντικά
- ! **προστατευτείτε από τις επιδράσεις των κραδασμών συντηρώντας σωστά το εργαλείο και τα εξαρτήματά του, διατηρώντας τα χέρια σας ζεστά και οργανώνοντας τον τρόπο εργασίας σας**

RO

## Sculă multifuncțională

1491

### INTRODUCERE

- Această sculă este proiectată pentru tăierea și secționarea lemnului, plasticului, ipsosului, metalelor și a faianței moi, precum și pentru șlefuirea uscată și răzuirea suprafețelor mari
- Este în mod special adecvată lucrului și la nivel și în apropierea marginilor
- Această sculă nu este destinată utilizării profesionale
- Această sculă acceptă accesoriile cele mai des întâlnite pentru scule multifuncționale, inclusiv accesorii existente OLS și Starlock ③
- Citiți și păstrați acest manual de instrucțiuni ④

### DATE TEHNICE ①

### ELEMENTELE SCULEI ②

- A** Cheia hexagonală
  - B** Șurub de prindere cu șaibă
  - C** Placă de șlefuit
  - D** Coala abrazivă
  - E** Dispozitiv de extragere a prafului
  - F** Întrerupător pornit/oprit
  - G** Rotiță de selectare a vitezei
  - H** Fantele de ventilație
  - J** Lampă LED
  - K** Pânză de ferăstrău cu dinți aplicați \*
  - L** Lamă de ferăstrău cu avans pe adâncime
  - M** Accesoriu pentru reglarea adâncimii \*
- \* NU ESTE INCLUS ÎN VERSIUNEA STANDARD

### SIGURANȚA

#### INSTRUCȚIUNI GENERALE DE SIGURANȚĂ PENTRU SCULE ELECTRICE

**⚠ AVERTISMENT Citiți toate avertismentele, instrucțiunile, ilustrațiile și specificațiile furnizate împreună cu această sculă electrică.** Neconformarea la instrucțiunile de mai jos poate produce șoc electric, incendiu și/sau răniri grave.

#### Păstrați toate avertizările și instrucțiunile în vederea consultării ulterioare.

Termenul de "sculă electrică" folosit în indicațiile de avertizare se referă la sculele electrice alimentate de la rețea (cu cablu de alimentare) și la sculele electrice cu acumulator (fără cablu de alimentare).

#### 1) SIGURANȚA LA LOCUL DE MUNCĂ

- Păstrați-vă locul de muncă curat și bine iluminat.** Dezordinea la locul de muncă sau existența unor sectoare de lucru neiluminate poate duce la accidente.
- Nu folosiți mașina în medii cu pericol de explozie, acolo unde există lichide, gaze sau pulberi inflamabile.** Sculele electrice pot produce scânteii care să aprindă pulberile sau vaporii.

- c) **Nu permiteți accesul copiilor și al altor persoane în timpul lucrului cu mașina.** Dacă vi se distrage atenția puteți pierde controlul asupra mașinii.
- 2) SECURITATE ELECTRICĂ**
- a) **Ștecherul de racordare a mașinii trebuie să se potrivească cu priza de alimentare. Nu este permisă în nici-un caz modificarea ștecherului. Nu folosiți adaptoare pentru ștechere la mașinile legate la pământ.** Ștecherele nemodificate și prizele de curent adecvate acestora reduc riscul de electrocutare.
- b) **Evitați contactul corporal cu suprafețe legate la pământ ca țevi, radiatoare, plite electrice și frigidere.** Există un risc crescut de electrocutare atunci când corpul dv. este și el legat la pământ.
- c) **Nu lăsați mașina afară în ploaie sau în mediu umed.** Riscul de electrocutare crește atunci când într-o sculă electrică pătrunde apă.
- d) **Nu trageți niciodată mașina de cordonul de alimentare pentru a o transporta, a o atârna sau a scoate ștecherul din priza de curent. Feriți cordonul de alimentare de căldură, ulei, muchi și ascuțite sau de subansamble aflate în mișcare.** Un cordon de alimentare deteriorat sau înfășurat mărește riscul de electrocutare.
- e) **Atunci când lucrați cu scula electrică în aer liber, folosiți numai cordoane prelungitoare autorizate pentru exterior.** Întrebuințarea unui cordon prelungitor adecvat utilizării în aer liber reduce riscul de electrocutare.
- f) **Atunci când nu poate fi evitată utilizarea sculei electrice în mediu umed, folosiți un întrerupător de circuit cu împământare.** Folosirea unei întrerupător de circuit cu împământare reduce riscul de electrocutare.
- 3) SECURITATEA PERSOANELOR**
- a) **Fiți vigilenți, fiți atenți la ceea ce faceți și procedați rațional atunci când lucrați cu scula electrică. Nu folosiți mașina dacă sunteți obosiți sau vă aflați sub influența drogurilor, alcoolului sau a medicamentelor.** Un moment de neatenție în timpul lucrului cu mașina poate duce la răni grave.
- b) **Purtați echipament de protecție personală și întotdeauna ochelari de protecție.** Folosirea echipamentelor de protecție a persoanei ca mască de protecție împotriva prafului, încălțăminte antiderapantă, cască de protecție sau aparat de protecție auditivă, în funcție de tipul și domeniul de folosire al sculei electrice, reduce riscul rănilor.
- c) **Evitați o punere în funcțiune involuntară. Înainte de a introduce ștecherul în priză și/sau de a introduce acumulatorul în scula electrică, de a o ridica sau de a o transporta, asigurați-vă că aceasta este oprită.** Dacă atunci când transportați scula electrică țineți degetul pe întrerupător sau dacă porniți scula electrică înainte de a o racorda la rețeaua de curent, puteți provoca accidente.
- d) **Înainte de a pune mașina în funcțiune scoateți afară cheile reglabile și fixe.** O cheie reglabilă sau fixă, aflată într-o componentă de mașină care se rotește, poate provoca răni.
- e) **Nu vă supraapreciați. Asigurați-vă o poziție stabilă și păstrați-vă întotdeauna echilibrul.** Astfel veți putea controla mai bine mașina în situații neașteptate.
- f) **Purtați îmbrăcăminte de lucru adecvată. Nu purtați haine largi sau podoabe. Feriți părul și îmbrăcăminte de piesele aflate în mișcare.** Îmbrăcăminte largă, podoabe și părul lung pot fi prinse de piesele aflate în mișcare.
- g) **Dacă există posibilitatea montării de echipamente și instalații de aspirare și colectare a prafului, asigurați-vă că acestea sunt conectate și folosite corect.** Folosirea unei instalații de aspirare a prafului poate duce la reducerea poluării cu praf.
- h) **Nu vă lăsați amăgiți de ușurința în operare dobândită în urma folosirii frecvente a sculelor electrice și nu ignorați principiile de siguranță ale acestora.** Neglijența poate provoca, într-o fracțiune de secundă, vătămări corporale grave
- 4) MANEVRAȚI ȘI FOLOȘIȚI CU GRIJĂ SCULELE ELECTRICE**
- a) **Nu suprașcoliciți mașina. Folosiți scula electrică destinată executării lucrării dumneavoastră.** Cu scula electrică potrivită lucrați mai bine și mai sigur în domeniul de putere specificat.
- b) **Nu folosiți scula electrică dacă are întrerupătorul defect.** O sculă electrică, care nu mai poate fi pornită sau oprită este periculoasă și trebuie reparată.
- c) **Scoateți ștecherul afară din priză și/sau îndepărtați acumulatoru dacă este detașabil, înainte de a executa reglaje, a schimba accesoriu sau a depozita scula electrică.** Această măsură preventivă reduce riscul unei porniri involuntare a mașinii.
- d) **În caz de nefolosire păstrați mașinile la loc inaccesibil copiilor. Nu permiteți persoanelor care nu sunt familiarizate cu mașina sau care n-au citit prezentele instrucțiuni, să folosească mașina.** Sculele electrice sunt periculoase atunci când sunt folosite de persoane fără experiență.
- e) **Întrețineți sculele electrice și accesoriile acestora. Controlați dacă componentele mobile funcționează corect și dacă nu se blochează, dacă nu există piese defecte sau deteriorate, care să afecteze funcționarea mașinii. Înainte de a repune în funcțiune mașina, duceți-o la un atelier de asistență service pentru repararea sau înlocuirea pieselor deteriorate.** Multe accidente s-au datorat întreținerii defectuoase a sculelor electrice.
- f) **Păstrați accesoriile bine ascuțite și curate.** Accesoriile atent întreținute, cu muchi tăietoare bine ascuțite se blochează mai greu și pot fi conduse mai ușor.
- g) **Folosii sculele electrice, accesoriile, dispozitivele de lucru etc. conform prezentelor instrucțiuni. Țineți seama de condițiile de lucru și de lucrarea care trebuie executată.** Întrebuințarea unor scule electrice destinate altor utilizări decât cele preconizate, poate duce la situații periculoase.
- h) **Mențineți mânerul și zonele de prindere uscate, curate și feriți-le de ulei și unsoare.** Mânerul și zonele de prindere alunecoase nu permit manevrarea și controlul sigur al sculei electrice în situații neașteptate.
- 5) SERVICIU**
- a) **Permiteți repararea mașinii dumneavoastră numai de către un specialist calificat și numai cu piese de schimb originale.** În acest mod este garantată menținerea siguranței de exploatare a mașinii.

## INSTRUCȚIUNI DE SIGURANȚĂ PENTRU SCULE MULTIFUNCȚIONALE

### GENERALITĂȚI

- Această sculă nu trebuie să fie folosit de persoane sub 16 ani
  - Folosiți cabluri de prelungire derulate complet, protejate/izolate, cu o capacitate de 16 amperi
  - Verificați întotdeauna dacă tensiunea de alimentare este aceeași cu tensiunea indicată pe plăcuța de identificare a sculei
  - Evitați daunele provocate de șuruburi, țiște și alte elemente din timpul lucrului; înlăturați aceste elemente înainte de a trece la acțiune
  - Praful rezultat din materiale precum vopseaua care conține plumb, unele specii de lemn, minerale și metale poate fi periculos (contactul cu praful sau inhalarea acestuia poate provoca reacții alergice și/sau afecțiuni respiratorii operatorului sau persoanelor care stau în apropiere); **purtați o mască de praf și lucrați cu un dispozitiv de extragere a prafului când poate fi conectat**
  - Anumite tipuri de praf sunt clasificate ca fiind cancerigene (cum ar fi praful de stejar și fag) în special în combinație cu aditivi pentru tratarea lemnului; **purtați o mască de praf și lucrați cu un dispozitiv de extragere a prafului când poate fi conectat**
  - Respectați reglementările naționale referitoare la aspirația prafului în funcție de materialele de lucru folosite
  - **Folosiți clame sau alte metode practice pentru a securiza și susține piesa de prelucrat pe o platformă stabilă** (dacă țineți piesa cu mâna sau sprijinită de corp va fi instabilă și puteți pierde controlul asupra ei)
  - **Nu preluați materiale care conțin azbest** (azbestul este considerat a fi cancerigen)
  - **Decuplați întotdeauna ștecherul de la sursa de alimentare în pauzele de lucru sau înainte de curățare, întreținere, efectuarea reglajelor sau schimbarea accesoriilor, pentru a reduce pericolul de pornire accidentală a sculei**
  - Când lucrați întotdeauna țineți aparatul cu ambele mâini cu fermitate și luați o poziție stabilă
  - Feriți întotdeauna cordonul de părțile în mișcare ale sculei; orientați cordonul spre spate, la distanță de sculă
  - **Purtați mănuși de protecție când schimbați accesoriul** (contactul cu accesoriul poate cauza leziuni)
  - În cazul unor defecțiuni electrice sau mecanice deconectați imediat instrumentul și scoateți șnurul din priză
  - În cazul în care cordonul este deteriorat sau secționat în timpul lucrului, nu atingeți cordonul, dar deconectați imediat de la priză
  - Nu folosiți unealta atunci când cablul de alimentare prezintă defecțiuni; acesta trebuie înlocuit cu un cablu special pregătit, disponibil într-un service de asistență autorizat pentru scule SKIL, de către o persoană calificată
  - Când puneți instrumentul la o parte, deconectați motorul și asigurați-vă că toate elementele mobile și-au oprit complet mișcarea
- ### CÂND ȚIAȚI/SECȚIONAȚI
- **Apucați scula electrică de suprafețele de prindere izolate atunci când executați operații în cursul**

**cărora accesoriul poate atinge fire electrice ascunse sau propriul cablu de alimentare** (contactul un cablu aflat sub tensiune poate pune sub tensiune și componentele metalice ale sculei electrice și duce la electrocutare)

- **Țineți mâinile la distanță de zona de tăiere**; nu atingeți niciodată materialul de sub lamă sub niciun motiv în timpul tăierii
- **Folosiți detectoare adecvate pentru depistarea conductelor și conductorilor de alimentare sau apelați în acest scop la întreprinderea locală de furnizare a utilităților** (contactul cu conductorii electrice poate provoca incendii sau electrocutare; deteriorarea unei conducte de gaz poate duce la explozii; spargerea unei conducte de apă provoacă pagube materiale sau poate provoca electrocutare)
- Nu folosiți o pânză de ferăstrău care este crăpată, deformată sau tocită

### CÂND ȘLEFUIȚI

- **Utilizați scula numai pentru șlefuire uscată** (pătrunderea apei în interiorul sculei mărește pericolul de electrocutare)
- Nu atingeți benzii mobilă de șlefuire
- Nu continuați să folosiți benzile de șlefuire uzate, rupte sau extrem de înâlcite
- În timpul șlefuirii de metale sunt împrăștiate scântei: nu folosiți aspiratorul și nu permiteți prezența altor persoane sau a unor materiale inflamabile în perimetrul de activitate

### EXPLICAȚIA SIMBOLURILOR DE PE INSTRUMENT

- ③ Această sculă acceptă accesoriile cele mai des întâlnite pentru scule multifuncționale, inclusiv accesorii de bază existente OIS și Starlock
- ④ Citiți manual de instrucțiuni înainte de utilizare
- ⑤ Izolație dublă (nu este necesar fir de împământare)
- ⑥ Nu aruncați instrumentul direct la pubelele de gunoi

### UTILIZAREA

- Schimbarea accesoriilor ⑦  
**! deconectați priza**
  - demontați/montați accesoriul necesar în modul indicat în imagine
  - asigurați-vă că deschiderile din accesoriu se cuplează cu clemele de pe capul sculei (orice poziție de fixare posibilă)
  - montați accesoriul cu depresiunea centrală orientată în jos
  - slăbiți/strângeți șurubul B cu o cheie hexagonală A
  - **verificați dacă accesoriul este bine fixat** (accesoriile strânse incorect sau insuficient se pot desprinde în timpul funcționării și crea pericole)
- Montarea benzii de șlefuire ⑧
  - îndepărtați praful de pe sistemul de prindere VELCRO de pe placa de șlefuit C înainte de a monta banda de șlefuit
  - montați benzii de șlefuire VELCRO D conform ilustrației
  - ! **aspiratorul de reziduu necesită folosirea benzilor perforate de șlefuire**
  - ! **perforațiile de pe benzii de șlefuire trebuie să corespundă cu perforațiile din statul de șlefuire**
  - ! **înlocuiți la timp benzile de șlefuire uzate**
  - ! **folosiți întotdeauna scula cu suprafața VELCRO acoperită în totalitate cu hârtie de șlefuit**



- Aspirarea a prafului ⑨
  - ! deconectați prizele**
  - utilizați dispozitivul de evacuare a prafului E doar atunci când lucrați cu placa de șlefuit C
  - montați dispozitivul de extragere a prafului E în modul indicat în imagine
  - conectați aspiratorul
  - ! nu folosiți dispozitivul de extragere a prafului/ aspiratorul când șlefuiți metale**
  - curățați dispozitivul de extragere a prafului E în mod regulat pentru randament optim de aspirare a prafului
- Pornit/oprit
  - Conectați/deconectați aparatul, prin împingerea comutatorului F ② în poziția "I"/"O"
  - ! înainte ca accesoriul să atingă piesa care urmează a fi prelucrată, sculă ar trebui să funcționeze la întreaga viteză**
  - ! întreaga viteză**
  - ! întreaga viteză a sculei, trebuie să o ridicați de pe piesa de prelucrat**
- Reglarea vitezei de lucru ⑩
  - cu roata G frecvența variabilă necesară poate fi reglată de la valoarea mică (1) la mare (6) (și în timpul funcționării)
  - viteza de lucru optimă depinde de material și poate fi stabilită prin teste practice
- Lampă LED J ⑪
  - Lampa LED J se aprinde automat la activarea comutatorului F
- Mănuirea și dirijarea sculei ⑫
  - ! în timp ce lucrați, țineți întotdeauna scula de zonă (zonele) de prindere colorate gri**
  - mențineți fantele de ventilație H neacoperite
  - nu aplicați o presiune prea mare asupra sculei (apăsarea exagerată are ca efect supraîncălzirea bitului și scurtarea duratei de utilizare a acestuia)
- Accesoriul pentru reglarea adâncimii M (DEPTH STOP) (nu este inclusă în dotarea standard) ⑬

## SFATURI PENTRU UTILIZARE

- Pentru a obține rezultate optime pe diverse tipuri de materiale utilizați tabelul ⑭ ca referință pentru determinarea accesoriului corect (**accesoriile nu sunt dotate standard**)
- A se vedea alte recomandări la [www.skil.com](http://www.skil.com)

## ÎNȚREȚINERE / SERVICE

- Această sculă nu este destinată utilizării profesionale
- Păstrați aparatul și cablul curat (mai ales fantele de ventilație H ②)
  - ! deconectați de la priză înainte de a curăța**
- Dacă în ciuda procedurilor de fabricație și control riguroase scula are totuși o pană, repararea acesteia se va face numai la un atelier de asistență service autorizat pentru scule electrice SKIL
  - trimiteți scula **în totalitatea lui** cu bonul de cumpărare la distribuitorul sau la centrul de service SKIL cel mai apropiat (adrese și diagrame de service se găsesc la [www.skil.com](http://www.skil.com))
- Trebuie să fiți conștienți de faptul că deteriorarea datorată suprasarcinii sau utilizării incorecte a sculei vor fi excluse din garanție (pentru condițiile de garanție SKIL consultați [www.skil.com](http://www.skil.com) sau întrebați distribuitorul)

## MEDIUL

- Nu aruncați sculele electrice, accesoriile sau ambalajele direct la pubelele de gunoi** (numai pentru țările din Comunitatea Europeană)
  - Directiva Europeană 2012/19/EC face referire la modul de aruncare a echipamentelor electrice și electronice și modul de aplicare a normelor în conformitate cu legislația națională; sculele electrice în momentul în care au atins un grad avansat de uzură și trebuie aruncate, ele trebuie colectate separat și reciclate într-un mod ce respectă normele de protecție a mediului înconjurător
  - simbolul ⑥ vă va reaminti acest lucru

## ZGOMOT / VIBRAȚII

- Măsurate în conformitate cu EN 62841, nivelul de presiune sonoră a acestui instrument este 86,5 dB(A) și nivelul de zgomot 97,5 dB(A) (incertitudinea K = 3 dB) și vibrația \* (suma vectorială triaxială; incertitudinea K = 1,5 m/s<sup>2</sup>)
  - \* în timpul șlefurii 3.4 m/s<sup>2</sup>
- Nivelul emisiilor de vibrații a fost măsurat în conformitate cu un test standardizat precizat în EN 62841; poate fi folosit pentru a compara o sculă cu alta și ca evaluare preliminară a expunerii la vibrații atunci când folosiți scula pentru aplicațiile menționate
  - utilizarea sculei pentru aplicații diferite sau cu accesorii diferite și prost întreținute poate **crește** semnificativ nivelul de expunere
  - momentele în care scula este oprită sau când funcționează dar nu execută nicio lucrare, pot **reduce** semnificativ nivelul de expunere
- ! protejați-vă împotriva efectelor vibrațiilor prin întreținerea sculei și a accesoriilor sale, păstrând mâinile calde și organizând procesele de lucru**

BG

## Многофункционален инструмент

1491

## УВОД

- Този инструмент е предназначен за рязане и прорязване в дърво, пластмаса, мазилка, метали и меки фаянсови плочки, а така също и сухо шлифоване и стъргане на малки площи
- Той е особено удобен за работа в ъгли, в близост до ръбове и за отрязване на елементи в равнината на подаване
- Този инструмент не е предназначен за професионална употреба
- Този електроинструмент е конструиран да приема най-разпространените многофункционални аксесоари, включително и съществуващите допълнителни приспособления на OIS и Starlock ③
- Прочетете и пазете това ръководство за работа ④

## ТЕХНИЧЕСКИ ДАННИ ①

## ЕЛЕМЕНТИ НА ИНСТРУМЕНТА ②

- A Шестостенен ключ
  - B Затягащ винт с шайба
  - C Шлифовъчна плоча
  - D Шлифовъчен лист
  - E Приспособление за изсмукване на праха
  - F Прекъсвач за включване/изключване
  - G Регулатор за избор на скорост
  - H Вентилационните отвори
  - J Светодиодна лампа
  - K Сегментиран режещ диск \*
  - L Лист за вибрационно рязане
  - M Приспособление за регулиране на дълбочината \*
- \* НЕ Е ВКЛЮЧЕНА СТАНДАРТНО

## БЕЗОПАСНОСТ

### ОБЩИ УКАЗАНИЯ ЗА БЕЗОПАСНА РАБОТА С ЕЛЕКТРОИНСТРУМЕНТИ

**⚠ ПРЕДУПРЕЖДЕНИЕ** Прочете всички предупреждения за безопасност, инструкции, илюстрации и спецификации, доставени с този електроинструмент. Неспазването на всички описани по-долу инструкции може да доведе до токов удар, пожар и/или тежко нараняване.

Запазете всички предупреждения и указания за ползване в бъдеще.

Използваният по-долу термин “електроинструмент” се отнася до захранвани от електрическата мрежа електроинструменти (със захранващ кабел) и до захранвани от акумулаторна батерия електроинструменти (без захранващ кабел).

#### 1) БЕЗОПАСНОСТ НА РАБОТНОТО МЯСТО

- a) **Поддържайте работното си място чисто и подредено.** Безпорядъкът или недостатъчното осветление могат да спомогнат за възникването на трудова злополука.
- b) **Не работете с електроинструмента в среда с повишена опасност от възникване на експлозия, в близост до леснозапалими течности, газове или прахообразни материали.** По време на работа в електроинструментите се отделят искри, които могат да възпламят прахообразни материали или пари.
- c) **Дръжте деца и странични лица на безопасно разстояние, докато работите с електроинструмента.** Ако вниманието Ви бъде отклонено, може да загубите контрола над електроинструмента.

#### 2) БЕЗОПАСНОСТ ПРИ РАБОТА С ЕЛЕКТРИЧЕСКИ ТОК

- a) **Щепселът на електроинструмента трябва да е подходящ за ползвания контакт. В никакъв случай не се допуска изменение на конструкцията на щепсела. Когато работите със занулени електроуреди, не използвайте адаптери за щепсела.** Ползването на оригинални щепсели и контакти намалява риска от възникване на токов удар.

- b) **Избягвайте допира на тялото Ви до заземени тела, напр. тръби, отоплителни уреди, пещи и хладилници.** Когато тялото Ви е заземено, рискът от възникване на токов удар е по-голям.
  - c) **Предпазвайте електроинструмента си от дъжд и влага.** Проникването на вода в електроинструмента повишава опасността от токов удар.
  - d) **Не използвайте захранващ кабел за цели, за които той не е предвиден, напр. за да носите електроинструмента за кабела или да извадите щепсела от контакта. Предпазвайте кабела от нагриване, омасляване, допир до остри ръбове или до подвижни звена на машини.** Повредени или усукани кабели увеличават риска от възникване на токов удар.
  - e) **Когато работите с електроинструмент навън, използвайте само удължителни кабели, предназначени за работа на открито.** Използването на удължител, предназначен за работа на открито, намалява риска от възникване на токов удар.
  - f) **Ако се налага използването на електроинструмента във влажна среда, използвайте предпазен прекъсвач за утечни токове.** Използването на предпазен прекъсвач за утечни токове намалява опасността от възникване на токов удар.
- #### 3) БЕЗОПАСЕН НАЧИН НА РАБОТА
- a) **Бъдете концентрирани, следете внимателно действията си и постъпвайте предпазливо и разумно. Не използвайте електроинструмента, когато сте уморени или под влиянието на наркотични вещества, алкохол или упойващи лекарства.** Един миг разсеяност при работа с електроинструмент може да има за последствие изключително тежки наранявания.
  - b) **Работете с предпазващо работно облекло и винаги с предпазни очила.** Носенето на подходящи за ползвания електроинструмент и извършваната дейност лични предпазни средства, като дихателна маска, здрави плътнотзатоворени обувки със стабилен грайфер, защитна каска или шумозаглушители (антифони), намалява риска от възникване на трудова злополука.
  - c) **Избягвайте опасността от включване на електроинструмента по невнимание. Преди да включите щепсела в захранващата мрежа или да поставите акумулаторната батерия, се уверявайте, че пусковият пренъсвач е в положение изключено.** Ако, когато носите електроинструмента, държите пръста си върху пусковия пренъсвач, или ако подавате захранващо напрежение на електроинструмента, когато е включен, съществува опасност от възникване на трудова злополука.
  - d) **Преди да включите електроинструмента, се уверявайте, че сте отстранили от него всички помощни инструменти и гаечни ключове.** Мощен инструмент, забравен на въртящо се звено, може да причини травми.
  - e) **Не надценявайте възможностите си. Работете в стабилно положение на тялото и във всеки момент поддържайте равновесие.** Така ще можете

да контролирате електроинструмента по-добре и по-безопасно, ако възникне неочаквана ситуация.

- f) **Работете с подходящо облекло. Не работете с широки дрехи или украшения. Дръжте косата и дрехите си на безопасно разстояние от движещи се звена.** Широките дрехи, украшенията, дългите коси могат да бъдат захванати и увлечени от въртящи се звена.
- g) **Ано е възможно използването на външна аспирационна система, се уверявайте, че тя е включена и функционира изправно.** Използването на аспирационна система намалява рисковете, дължащи се на отделящата се при работа прах.
- h) **Доброто познаване на електроинструмента вследствие на честа работа с него не е повод за намаляване на вниманието и пренебрегване на мерките за безопасност.** Едно невнимателно действие може да предизвика тежки наранявания само за части от секундата.
- 4) **ВНИМАТЕЛНО ОТНОШЕНИЕ КЪМ ЕЛЕКТРОИНСТРУМЕНТИ**
  - a) **Не претоварвайте електроинструмента. Използвайте електроинструментите само съобразно тяхното предназначение.** Ще работите по-добре и по-безопасно, когато използвате подходящия електроинструмент в зададения от производителя диапазон на натоварване.
  - b) **Не използвайте електроинструмент, чиито пусков прекъсвач е повреден.** Електроинструмент, който не може да бъде изключван и включван по предвидения от производителя начин, е опасен и трябва да бъде ремонтиран.
  - c) **Преди да извършвате нанкито и да е дейности по електроинструмента, напр. настройване, смяна на работен инструмент, нанкто и когато го прибирате, изключвайте щепсела от контакта, респ. изваждайте батерията, ако е възможно.** Тази мярка премахва опасността от задействане на електроинструмента по невнимание.
  - d) **Съхранявайте електроинструментите на места, където не могат да бъдат достижнати от деца. Не допускайте те да бъдат използвани от лица, които не са запознати с начина на работа с тях и не са прочели тези инструкции.** Когато са в ръцете на неопитни потребители, електроинструментите могат да бъдат изключително опасни.
  - e) **Поддържайте добре електроинструментите си и аксесоарите им. Проверявайте дали подвижните звена функционират безупорно, дали не заклинват, дали има счупени или повредени детайли, които нарушават или изменят функциите на електроинструмента. Преди да използвате електроинструмента, се погрижете повредените детайли да бъдат ремонтирани.** Много от трудовете злополуки се дължат на недобре поддържани електроинструменти и уреди.
  - f) **Поддържайте режещите инструменти винаги добре заточени и чисти.** Добре поддържаните режещи инструменти с остри ръбове оказват по-малко съпротивление и се водят по-леко.
  - g) **Използвайте електроинструментите, допълнителните приспособления, работните**

**инструменти и т.н., съобразно инструкциите на производителя. С дейности и процедури, евентуално предписани от различни нормативни документи.** Използването на електроинструменти за различни от предвидените от производителя приложения повишава опасността от възникване на трудови злополуки.

- h) **Поддържайте дръжките и ръкохватките сухи, чисти и неомаслени.** Хлъзгавите дръжки и ръкохватки не позволяват безопасна работа и доброто контролиране на електроинструмента при възникване на неочаквана ситуация.
- 5) **ПОДДЪРЖАНЕ**
  - a) **Допускайте ремонтът на електроинструментите Ви да се извършва само от квалифицирани специалисти и само с използването на оригинални резервни части.** По този начин се гарантира съхраняване на безопасността на електроинструмента.

## ИНСТРУКЦИИ ЗА БЕЗОПАСНОСТ ЗА МНОГОФУНКЦИОНАЛНИ ИНСТРУМЕНТИ

### ОБЩИ

- Машината не трябва да се използва от лица под 16 години
- Използвайте напълно развити и обезопасени разклонители с капацитет 16 А
- Преди включване на инструмента в контакта се уверете, че мрежовото напрежение отговаря на напрежението, обозначено на фирмената табелка на инструмента
- Избягвайте повреди, които могат да бъдат причинени от винтове, гвоздеи и други метални елементи в обработвания детайл; отстранете ги преди да започнете работа
- Прахът от някои материали, като например съдържаща олово боя, някои видове дървесина, минерали и метали може да бъде вреден (контакт или вдишване на такъв прах могат да причинят алергични реакции и/или респираторни заболявания на оператора или стоящите наблизо лица); **използвайте противопрахова масна и работете с аспириращо прахта устройство, когато такова може да бъде свързано**
- Определени видове прах са класифицирани като карциногенни (като прах от дъб и бук) особено когато са комбинирани с добавки за подобряване на състоянието на дървесината; **използвайте противопрахова масна и работете с аспириращо прахта устройство, когато такова може да бъде свързано**
- Следвайте дефинираните по БДС изисквания относно запрашеността за материалите, които желаете да обработвате
- **Използвайте затягащи приспособления или друг практичен начин за обезопасяване и закрепване на обработвания детайл към стабилна основа (държането на обработвания детайл с ръка или опрян до тялото го прави нестабилен и може да доведе до загуба на контрол)**
- **Не обработвайте азбестосъдържащ материал (азбестът е канцерогенен)**
- **Винаги изваждайте щепсела от захранващото гнездо по време на почивка или преди**

### **почистване, техническо обслужване, регулиране или смяна на аксесоари, за да се намали рискът от случайно включване на инструмента**

- При работа дръжте електроинструмента здраво с двете ръце и поддържайте устойчиво
- Винаги отвеждайте захранващият кабел далеч от движещите се звена на електроинструмента; прехвърлете кабела отзад, далеч от електроинструмента
- **При смяната на аксесоари използвайте защитни ръкавици** (контактът с аксесоар може да доведе до нараняване)
- В случай на електрическа или механична неизправност, изключете незабавно апарата и прекъснете контакта с електрическата мрежа
- Ако кабелът се повреди ил среже по време на работа, не го докосвайте, веднага изключете щепсела, никога не използвайте инструмента с повреден кабел
- Никога не използвайте инструмента, когато кабелът е повреден; той трябва да се подмени със специален кабел, наличен в сервизните центрове за електроинструменти SKIL, като подмяната се извършва от квалифицирано лице
- Преди да приберете инструмента, изключете мотора и се уверете, че всички движещи се части са преустановили движението

### **ПРИ РЯЗАНЕ/ПРОРЯЗАНЕ**

- **Когато изпълнявате дейности, при които работният инструмент може да попадне на скрити под повърхността проводници под напрежение или да засегне захранващия кабел, внимавайте да допирате електроинструмента само до изолираните ръкохватки** (при контакт с проводник под напрежение то се предава на металните детайли на електроинструмента и това може да предизвика токов удар)
- **Дръжте ръцете си далеч от зоната на рязане;** докато режете никога и по никаква причина не посягайте под материала
- **За да откриете скрити под повърхността електро-, водо- и газопроводи, използвайте подходящи уреди или се обърнете към местното снабдително дружество** (прекъсването на електропроводници под напрежение може да предизвика пожар и/или токов удар; увреждането на газопровод може да предизвика експлозия; засягането на водопровод може да предизвика значителни материални щети и/или токов удар)
- Не използвайте режеща лента, която е напукана, деформирана или затъпана

### **ПРИ ШЛАЙФАНЕ**

- **Използвайте инструмента само за сухо шлайфане** (проникването на вода в инструмента увеличава риска от удар от електрически ток)
- Не докосвайте шлифовъчния лист
- Не използвайте износени, разкъсани или силно замърсени шлифовъчни листове
- При шлайфане на метал се образуват искри; не използвайте прахосмукачката и дръжте други лица и възпламеняващ се материал извън обсега на действие

### **ОБЯСНЕНИЕ НА СИМВОЛИТЕ ПО ИНСТРУМЕНТА**

- ③ Този инструмент допуска използването на най-разпространените многофункционални аксесоари,

включително съществуващите базови аксесоари на OIS и Starlock

- ④ Преди употреба прочетете ръководството с указания
- ⑤ Двойна изолация (не се изисква кабел за заземяване)
- ⑥ Не извършвайте инструмента заедно с битови отпадъци

## **УПОТРЕБА**

- Смяна на аксесоари ⑦
  - ! **изключете щепсела**
  - сваляйте/монтирайте необходимия аксесоар, както е показано
  - осигурете съвпадение на отворите на аксесоара с щифтовете на главата на инструмента (възможна е всякаква позиция на вкарване)
  - монтирайте аксесоара при насочен надолу, натиснат център
  - развийте/затягайте винта В с шестограмен ключ А
  - **проверете дали аксесоарът е легнал плтно** (неправилно или недобре закрепени аксесоари могат да се разхлабят при работа и да станат опасни)
- Поставяне на шлифовъчния лист ⑧
  - изчистете праха от материала ВЕЛКРО на шлифовъчната плоча С преди да поставите шкурката
  - монтирайте шлифовъчния лист от ВЕЛКРО D, както е показано
  - ! **прахоизсмукването изисква използването на перфорирани шлифовъчни листове**
  - ! **перфорацията на шлифовъчния лист трябва да съвпадне с перфорацията в шлифовъчната основа**
  - ! **сменяйте своевременно износените шлифовъчни листове**
  - ! **използвайте инструмента с цялата повърхност от ВЕЛКРО винаги напълно покрита с шлифовъчен лист**
- Изсмукване на праха ⑨
  - ! **изключете щепсела**
  - използвайте приспособление за изсмукване на праха Е, само когато работите с шлифовъчна плоча С
  - монтирайте приспособление за изсмукване на праха Е, както е показано
  - свържете прахосмукачката
  - ! **не приспособление за изсмукване на праха/ прахосмукачката при шлайфане на метал**
  - редовно почиствайте приспособлението за изсмукване на праха Е, за да се осъществява оптимално изсмукване на праха
- Включване/изключване
  - Инструмента включвайте/изключвайте чрез превключване на ключа F ② в позиции "I"/"O"
  - ! **преди аксесоарът да докосне работната площ, инструмента трябва да работи с максимална скорост**
  - ! **преди да изключите инструмента, трябва да я вдигнете от работната повърхност**

- Регулиране на работната скорост ⑩
  - с диска G честотата на колебанията може да се регулира от ниско (1) до високо (6) (също докато инструментът работи)
  - оптималната работна скорост зависи от материала и може да бъде определена с практически опити
- Светодиодна светлина J ①
- Светодиодната лампа J автоматично светва при активиране на превключвателя F
- Държане и насочване на инструмента ⑫
- ! **по време на работа, винаги дръжте уреда за оцветената(ите) в сиво зона(и) за хващане**
  - оставяйте вентилационните отвори H непокрити
  - не натискайте инструмента много силно (силният натиск води до силно нагряване и може да съкрати експлоатационния срок на приспособлението)
- Приспособление за регулиране на дълбочината M (DEPTH STOP) (не е стандартен аксесоар) ⑬

## УКАЗАНИЯ ЗА РАБОТА

- За оптимални резултати при различни материали използвайте таблицата ⑭ за справка при определянето на подходящата принадлежност (принадлежностите не са включени стандартно)
- За повече полезни указания вж. [www.skil.com](http://www.skil.com)

## ПОДДРЪЖКА / СЕРВИЗ

- Този инструмент не е предназначен за професионална употреба
- Поддържайте винаги електроинструмента и захранващия кабел чисти (особено вентилационните отвори H ②)
- ! **преди почистване изключете щепсела**
- Ако въпреки прецизното производство и внимателно изпитване възникне повреда, инструмента да се занесе за ремонт в оторизиран сервиз за електроинструменти на SKIL
  - занесете инструмента в **неразглобен вид** заедно с доказателство за покупката му в търговския обект, откъдето сте го закупили, или в най-близкия сервиз на SKIL (адресите, както и схемата за сервизно обслужване на електроинструмента, можете да намерите на адрес [www.skil.com](http://www.skil.com))
- Имайте предвид, че повреда поради претоварване или неправилно манипулиране с инструмента ще бъдат изключени от гаранцията (за условията на гаранцията от SKIL виж на интернет адрес: [www.skil.com](http://www.skil.com) или попитайте вашия дилър)

## ОПАЗВАНЕ НА ОКОЛНАТА СРЕДА

- **Не изхвърляйте електроуредите, приспособленията и опановите заедно с битови отпадъци** (само за страни от ЕС)
  - съобразно Директивата на ЕС 2012/19/EG относно износени електрически и електронни уреди и отразяването ѝ в националното законодателство износените електроуреди следва да се събират отделно и да се предават за рециклиране според изискванията за опазване на околната среда
  - за това указва символът ① тогава когато трябва да бъдат унищожени

## ШУМ / ВИБРАЦИИ

- Измерено в съответствие с EN 62841, нивото на звуковото налягане на този инструмент е 86,5 dB(A), а нивото на звуковата мощност 97,5 dB(A) (неопределеност K = 3 dB), и вибрацията \* (триаксиална векторна сума; неопределеност K = 1,5 m/s<sup>2</sup>)
  - \* докато почистване 3.4 m/c<sup>2</sup>
- Нивото на предадените вибрации е измерено в съответствие със стандартизирания тест, определен в EN 62841; то може да се използва за сравнение на един инструмент с друг и като предварителна оценка на подлагането на вибрации при използването на инструмента за посочените приложения
  - използването на инструмента за различни от тези приложения или с други, или лошо поддържани аксесоари може значително **да повиши** нивото на което сте подложени
  - периодите от време, когато инструмента е изключен или съответно включен, но с него не се работи в момента могат значително **да намалят** нивото на което сте подложени
- ! **предпазвайте се от ефентите от вибрациите, като поддържате инструмента и аксесоарите му, пазите ръцете си топли и организирате вашите модели на работа**

SK

## Multifunkčný nástroj

1491

### ÚVOD

- Tento nástroj je určený na pílenie a rezanie dreva, plastov, omietok, kovov a mäkkých obkladačiek, ako aj na brúsenie nasucho a na škrabanie plôch menších rozmerov
- Mimoriadne dobre sa hodí na prácu na okraji materiálu a na prácu rovnobežne s povrchovou plochou
- Tento nástroj nie je vhodný pre profesionálne použitie
- Tento nástroj sa môže používať s bežne dostupným univerzálnym príslušenstvom pre nástroje vrátane príslušenstva OIS a Starlock ③
- Prečítajte a uschovajte tento návod na použitie ④

## TECHNICKÉ ÚDAJE ①

### ČASTI NÁSTROJA ②

- A** Imbusový kľúč
  - B** Upínacia skrutka s podložkou
  - C** Brúsna podložka
  - D** Brúsný list
  - E** Zariadenie na odsávanie prachu
  - F** Vypínač zapnutie/vypnutie
  - G** Kolesko na výber rýchlost
  - H** Vetracie štrbiny
  - J** LED-kontrolka
  - K** Segmentový pílový list \*
  - L** Zapichovací pílový list
  - M** Príslušenstvo pre nastavenie hĺbky \*
- \* NEOBSAHUJE ŠTANDARD

# BEZPEČNOSŤ

## VŠEOBECNÉ BEZPEČNOSTNÉ UPOZORNENIA TÝKAJÚCE SA ELEKTRICKÉHO NÁRADIA

**⚠ VÝSTRAHA** Prečítajte si všetky bezpečnostné výstrahy, pokyny, ilustrácie a technické údaje, ktoré sú dodané s týmto elektrickým nástrojom. Nedodržanie všetkých nižšie uvedených pokynov môže viesť k poraneniu elektrickým prúdom, požiaru a/alebo vážnemu poraneniu.

**Všetky upozornenia a pokyny si odložte na ďalšie použitie.**

Pojem „elektrické náradie“ používaný v nasledujúcom texte sa vzťahuje na ručné elektrické náradie napájané zo siete (s prírodnou šnúrou) a na ručné elektrické náradie napájané akumulátorovou batériou (bez prírodnej šnúry).

### 1) BEZPEČNOSŤ NA PRACOVISKU

- a) **Udržiavajte svoje pracovisko čisté a upratané.** Neporiadok na pracovisku alebo neosvetlené časti pracoviska môžu viesť k úrazom.
- b) **Nepracujte elektrickým náradím v prostredí ohrozenom výbuchom, v ktorom sa nachádzajú horľavé kvapaliny, plyny alebo prach.** Elektrické náradie produkuje iskry, ktoré môžu prach alebo pary zapáliť.
- c) **Deti a iné osoby udržiavajte počas práce od ručného elektrického náradia v dostatočnej vzdialenosti.** V prípade odpútania Vašej pozornosti by ste mohli stratiť kontrolu nad náradím.

### 2) ELEKTRICKÁ BEZPEČNOSŤ

- a) **Zástrčka prírodnej šnúry sa musí hodiť do napájacej zásuvky. Zástrčka sa v žiadnom prípade nesmie meniť. Pri uzemnených spotrebičoch nepoužívajte spolu s nimi žiadne adaptéry.** Nezmenená zástrčka a vhodná zásuvka znižujú riziko zásahu elektrickým prúdom.
- b) **Vyhýbajte sa telesnému kontaktu s povrchovými plochami uzemnených spotrebičov, ako sú elektrické rúry, vyhrievacie telesá, sporáky a chladničky.** Keď je Vaše telo uzemnené, riziko zásahu elektrickým prúdom je vyššie.
- c) **Chráňte ručné elektrické náradie pred dažďom a vlhkom.** Vniknutie vody do ručného elektrického náradia zvyšuje riziko zásahu elektrickým prúdom.
- d) **Nepoužívajte prírodnú šnúru na prenášanie náradia, na jeho vešanie, ani za ňu nevyťahujte zástrčku zo zásuvky. Prírodnú šnúru chráňte pred horúcou, olejom, ostrými hranami alebo pohybujúcimi sa časťami náradia.** Poškodené alebo zauzlené šnúry zvyšujú riziko zásahu elektrickým prúdom.
- e) **Ak pracujete s ručným elektrickým náradím vonku, používajte len také predlžovacie šnúry, ktoré sú schválené pre používanie vo vonkajších priestoroch.** Používanie predlžovacej šnúry určenej do vonkajšieho prostredia znižuje riziko zásahu elektrickým prúdom.
- f) **Ak sa nedá vyhnúť použitiu ručného elektrického náradia vo vlhkom prostredí, použite prerušovač uzemňovacieho obvodu.** Používanie prerušovača uzemňovacieho obvodu znižuje riziko zásahu elektrickým prúdom.

### 3) BEZPEČNOSŤ OSÓB

- a) **Buďte pozorní, dávajte pozor na to, čo robíte a k práci s elektrickým náradím pristupujte rozumne. Nepoužívajte elektrické náradie, keď ste unavení alebo keď ste pod vplyvom drog, alkoholu alebo liekov.** Chvíľ a nepozornosti pri používaní náradia môže viesť k vážnym poraneniam.
  - b) **Noste osobné ochranné pomôcky, ochranný odev a vždy majte nasadené ochranné okuliare.** Nosenie pracovného odevu a používanie ochranných pomôcok ako ochrannej dýchacej masky, bezpečnostných protišmykových topánok, prilby alebo chrániča sluchu, podľa druhu elektrického náradia, znižuje riziko poranenia.
  - c) **Vyhýbajte sa neúmyselnému uvedeniu ručného elektrického náradia do činnosti. Pred zasunutím zástrčky do zásuvky a/alebo pred pripojením akumulátora, pred chytením alebo prenášaním ručného elektrického náradia sa vždy presvedčte sa, či je ručné elektrické náradie vypnuté.** Ak budete mať pri prenášaní ručného elektrického náradia prst na vypínači, alebo ak ručné elektrické náradie pripojíte na elektrickú sieť zapnutú, môže to mať za následok nehodu.
  - d) **Skôr ako ručné elektrické náradie zapnete, odstráňte nastavovacie a montážne nástroje.** Nástroj alebo kľúč, ktorý sa nachádza v pohyblivej časti náradia, môže spôsobiť poranenie.
  - e) **Neprepeňujte sa. Zabezpečte si pevný postoj a neprestajne udržiavajte rovnováhu.** Takto budete môcť ručné elektrické náradie v neočakávaných situáciách lepšie kontrolovať.
  - f) **Pri práci noste vhodný pracovný odev. Nenoste široké odevy a nemajte na sebe šperky.** Vyvarujte sa toho, aby sa vaše vlasy a odev dostali do blízkosti pohyblivých častí. Voľný odev, dlhé vlasy alebo šperky môžu byť zachytené rotujúcimi časťami ručného elektrického náradia.
  - g) **Ak možno namontovať zariadenie na odsávanie alebo zachytávanie prachu, presvedčte sa, či je pripojené a správne používané.** Používanie odsávacieho zariadenia a zariadenia na zachytávanie prachu znižuje riziko ohrozenia zdravia prachom.
  - h) **Nepodliehajte falošnému pocitu istoty získanej z častého používania náradia a nekonajte v rozpore s princípmi bezpečného používania náradia.** Nepozorná práca môže v priebehu zlomkov sekundy viesť k ťažkému poraneniu.
- ### 4) STAROSTLIVÉ ZAOBCHÁDZANIE S ELEKTRICKÝM NÁRADÍM A JEHO POUŽÍVANIE
- a) **Náradie nepreťažujte. Pre svoju prácu používajte určené elektrické náradie.** Pomocou vhodného ručného elektrického náradia budete môcť v uvedenom rozsahu výkonu pracovať lepšie a bezpečnejšie.
  - b) **Nepoužívajte žiadne ručné elektrické náradie, ktoré má pokazený vypínač.** Ručné elektrické náradie, ktoré sa už nedá zapínať alebo vypínať, je nebezpečné a treba ho dať opraviť.
  - c) **Skôr ako začnete náradie nastavovať alebo prestavovať, vymieňať príslušenstvo alebo ako odložte náradie, vždy vytiahnite koncovku sieťovej šnúry zo zásuvky a/alebo vyberte akumulátor, ak sa dá vybrať.** Toto preventívne opatrenie zabraňuje neúmyselnému spusteniu ručného elektrického náradia.

- d) **Nepoužívané ručné elektrické náradie uschovávajúe mimo dosahu detí. Nedopusťte, aby ručné elektrické náradie používali osoby, ktoré s ním nie sú dôkladne oboznámené, alebo ktoré si neprečítali tento Návod na používanie.** Ak ručné elektrické náradie používajú neskúsené osoby, stáva sa nebezpečným nástrojom.
- e) **Ručné elektrické náradie a príslušenstvo starostlivo ošetrujte. Skontrolujte, či pohyblivé súčiastky náradia bezchybne fungujú a neblokujú a či nie sú zlomené alebo poškodené niektoré súčiastky, ktoré by mohli negatívne ovplyvniť fungovanie ručného elektrického náradia. Pred použitím ručného elektrického náradia dajte poškodené súčiastky opraviť.** Nejednen úraz bol spôsobený zle udržiavaným náradím.
- f) **Používané nástroje udržiavajte ostré a čisté.** Starostlivo ošetrované nástroje s ostrými reznými hranami sa menej často zablokujú a ich vedenie je podstatne ľahšie.
- g) **Používajte ručné elektrické náradie, príslušenstvo, pracovné nástroje a pod. podľa týchto pokynov. Zohľadnite pritom konkrétne pracovné podmienky a činnosť, ktorú máte vykonať.** Používanie ručného elektrického náradia na iné ako určené účely môže viesť k nebezpečným situáciám.
- h) **Rukoväti a úchopové povrchy udržiavajte suché, čisté a bez oleja alebo mazacieho tuku.** Šmykľavé rukoväti a úchopové povrchy neumožňujú bezpečnú manipuláciu a ovládanie náradia v neočakávaných situáciách.
- 5) **SERVIS**
- a) **Ručné elektrické náradie zverte do opravy len kvalifikovanému personálu a používajte len originálne náhradné súčiastky.** Tým sa zabezpečí zachovanie bezpečnosti ručného elektrického náradia.

## BEZPEČNOSTNÉ POKYNY PRE MULTIFUNKČNÉ NÁSTROJE

### VŠEOBECNE

- Tento nástroj by nemali používať osoby mladšie ako 16 rokov
- Používajte úplne odmotanú a bezpečnú predlžovaciu šnúru s kapacitou 16 A
- Vždy skontrolujte či je napájacie napätie rovnaké ako napätie uvedené na štítku nástroja
- Zabráňte poškodeniu náradia skrutkami, klincami a inými kovovými predmetmi v obrobku; zoberte ich dole prv než začnete pracovať
- , minerály a kovy môže byť škodlivý (styk alebo nadýchanie prachu môže spôsobiť alergické reakcie a/alebo respiračné ochorenia obsluhy a okolostojacich osôb); **používajte ochrannú masku tváre a pracujte so zariadením na odsávanie prachu, ak je takéto zariadenie možné pripojiť**
- Určité druhy prachu sú klasifikované ako karcinogénne (akým drevným a bukovým prachom), a to hlavne v spojení s prísadami pre úpravu dreva; **používajte ochrannú masku tváre a pracujte so zariadením na odsávanie prachu, ak je takéto zariadenie možné pripojiť**
- Dodržujte stanovené nariadenia pre prácu v prašnom prostredí
- **Obrábaný predmet upevnite svorkami alebo iným praktickým spôsobom k stabilnému podstavcu** (obrábaný predmet nedržte iba v rukách ani oproti telu,

pretože tak nemôžete zabezpečiť jeho stabilitu a môže sa vám vymknúť spod kontroly)

- **Neobrábajte materiál, ktorý obsahuje azbest** (azbest sa považuje za rakovinotvorný materiál)
- **Počas pracovných prestávok, pred čistením, údržbou, nastavovaním a výmenou príslušenstva nástroj vždy odpojte od elektrickej siete, aby nedošlo k jeho náhodnému zapnutiu**
- Vždy držte nástroj pevne oboma rukami a stojne bezpečne
- Elektrickú šnúru udržiavajte vždy mimo pohybujúcich sa častí nástroja; elektrickú šnúru vždy smerujte dozadu, mimo nástroja
- **Pri výmene príslušenstva používajte ochranné rukavice** (pri dotyku s príslušenstvom môže dôjsť k poraneniu)
- V prípade elektrickej alebo mechanickej poruchy zastavte okamžite nástroj a vytiahnite zástrčku z nástennej zásuvky
- Ak je sieťová šnúra poškodená alebo ak sa prereže počas prevádzky, nedotýkajte sa jej ale ju ihneď odpojte z hlavnej elektrickej siete
- Nikdy nepoužívajte náradie s poškodeným káblom; kábel sa musí vymeniť za špeciálne pripravený kábel, ktorý dostanete v popredajnom servisnom stredisku pre elektrické náradia SKIL, a túto výmenu musí vykonať kvalifikovaný technik
- Skôr než nástroj položíte, presvedčte sa že je motor vypnutý a že sú všetky pohyblivé súčiastky zastavené

### PRI PÍLENÍ/REZANÍ

- **Držte elektrické náradie len za izolované plochy rukoväti, ak vykonávate takú prácu, pri ktorej by mohli použitý pracovný nástroj natrafiť na skryté elektrické vedenia alebo zasiahnuť vlastnú prívodnú šnúru náradia** (kontakt s elektrickým vedením môže byť pod napätím, môže dostať pod napätie aj kovové súčiastky náradia a spôsobí zásah elektrickým prúdom)
- **Ruky nekladajte do oblasti rezania;** nikdy a zo žiadneho dôvodu počas rezania nekladajte ruky pod materiál
- **Na vyhľadanie skrytých elektrických vedení, plynových a vodovodných potrubí použite vhodné hľadacie prístroje, alebo sa spojte s príslušným dodávateľom** (kontakt s elektrickým vedením môže mať za následok vznik požiaru alebo spôsobiť zásah elektrickým prúdom; poškodenie plynového potrubia môže spôsobiť výbuch; prevrtenie vodovodného potrubia spôsobí vecné škody, alebo môže spôsobiť zásah elektrickým prúdom)
- **Nepoužívajte prasknutý, deformovaný alebo otupený pilový list**

### PRI BRÚSENÍ

- **Nástroj používajte len na suché brúsenie** (pri vniknutí vody do nástroja sa zvyšuje nebezpečenstvo zásahu elektrickým prúdom)
- **Nedotýkajte sa pohyblivej brúsnej plochy**
- **Nepoužívajte opotrebené, potrhávané alebo silne znečistené brúsne plochy**
- **Pri brúsení sa tvoria iskry;** nepoužívajte vysávač a dbajte na to, aby sa v pracovnom priestore nezdržovala iná osoba a nebol horľavý materiál

### VYSVETLENIE SYMBOLOV NA NÁSTROJI

- ③ Tento nástroj sa môže používať s bežne dostupným univerzálnym príslušenstvom pre nástroje vrátane príslušenstva OIS a Starlock

- ④ Pred použitím si prečítajte návod na obsluhu

- ⑤ Dvojitá izolácia (nevyžaduje sa uzemňovací kábel)
- ⑥ Nástroj nevyhadzujte do komunálneho odpadu

## POUŽITIE

- Výmena príslušenstvo ⑦
  - ! **odpojte zástrčku**
  - odmontujte/hamontujte požadované príslušenstvo podľa obrázka
  - otvory na príslušenstve musia sadnúť na výstupky na hlave nástroja (v niektorých z možných stabilných pozícií)
  - vlisovaný stred príslušenstva musí smerovať nadol
  - na uvoľnenie/zatiahnutie skrutky B použite imbusový kľúč A
  - **skontrolujte, či je príslušenstvo nasadené pevne** (nesprávne alebo slabo pripevnené príslušenstvo sa počas používania môže uvoľniť a ohroziť bezpečnosť)
- Namontovanie brúsiacich plôch ⑧
  - pred upnutím brúsneho listu oklepte prach zo suchého zipsu brúsnej podložky C
  - podľa obrázku namontujte brúsiacu plochu so suchým zipsom D
  - ! **Iaň prachu vyžaduje aby sa použili perforované brúsiace plochy**
  - ! **perforácie na brúsiacich plochách sa majú zhodovať s perforáciami na brúsiacej nohe**
  - ! **na čas vyměňte opotrebené brúsiace plochy**
  - ! **nástroj vždy používajte tak, aby celá plocha suchého zipsu bola pokrytá brusným papierom**
- Odsávanie prachu ⑨
  - ! **odpojte zástrčku**
  - zariadenie na odsávanie prachu E používajte iba pri práci s brusnou podložkou C
  - namontujte zariadenie na odsávanie prachu E podľa obrázka
  - zapnite vysávač
  - ! **zariadenie na odsávanie prachu / vysávač nepoužívajte, keď brúsíte kov**
  - najlepšia účinnosť odsávania prachu sa dosiahne, ak sa zariadenie na odsávanie prachu E pravidelne čistí
- Zapínanie/vypínanie
  - Nástroje zapnite/vypnite posunutím prepínača F ② do polohy "I"/"O"
  - ! **predtým, ako sa príslušenstvo dostane na miesto obrábania, mal by nástroj bežať na plné otáčky**
  - ! **pred vypnutím nástroja by ste ho mali zdvihnúť z miesta obrábania**
- Nastavenie pracovnej rýchlosti ⑩
  - pomocou kolieska G je možné nastaviť požadovanú oscilačnú frekvenciu od nízkej (1) až po vysokú (6) (aj počas chodu nástroja)
  - optimálna pracovná rýchlosť závisí od materiálu a môžete ju stanoviť praktickou skúškou
- LED-Kontrolka J ⑪
  - LED-kontrolka J sa zapne automaticky po stlačení vypínača F
- Držanie a vedenie nástroja ⑫
  - ! **počas práce vždy držte nástroj v oblasti sivého držadla(iel)**
  - vetracie štrbiny H udržiňte nezakryté
  - na nástroj priveľmi netlačte (nadmerný tlak môže spôsobiť prehrievanie a môže skrátiť životnosť príslušenstva)
- Príslušenstvo pre nastavenie hĺbky M (DEPTH STOP) (nedodáva sa štandardne) ⑬

## RADA NA POUŽITIE

- Pre optimálne výsledky na rôznych materiáloch použite tabuľku ⑭ ako referenciu na určenie správneho príslušenstva (**príslušenstvo, ktoré sa nedodáva štandardne**)
- Viac rád nájdete na [www.skil.com](http://www.skil.com)

## ÚDRŽBA / SERVIS

- Tento nástroj nie je vhodný pre profesionálne použitie
- Nástroj a sieťovú šnúru udržiajte stále čistou (zvlášť vetracie štrbiny H ②)
  - ! **pred čistením odpojte z elektrickej siete**
- Ak by nástroj napriek starostlivej výrobe a kontrole predsa len prestal niekedy fungovať, treba dať opravu vykonať autorizovanej servisnej opravovni elektrického náradia SKIL
  - pošlite nástroj **bez rozmontovania** spolu s dôkazom o kúpe; vášmu dílerovi alebo do najbližšieho servisného strediska SKIL (zoznam adries servisných stredísk a servisný diagram nástroja sú uvedené na [www.skil.com](http://www.skil.com))
- Uvedomte si, že poškodenie spôsobené preťažením alebo nesprávnym zaobchádzaním bude zo záruky vylúčené (záručné podmienky spoločnosti SKIL nájdete na stránke [www.skil.com](http://www.skil.com) alebo si ich vyžiadajte u svojho predajcu)

## ŽIVOTNÉ PROSTREDIE

- **Elektrické náradie, príslušenstvo a balenia nevyhadzujte do komunálneho odpadu** (len pre štáty EÚ)
  - podľa európskej smernice 2012/19/EG o nakladaní s použitými elektrickými a elektronickými zariadeniami a zodpovedajúcich ustanovení právnych predpisov jednotlivých krajín sa použité elektrické náradie musí zbierať oddelene od ostatného odpadu a podrobiť ekologicky šetrnej recyklácii
  - pripomenie vám to symbol ⑥, keď ju bude treba likvidovať

## HLUK / VIBRÁCIE

- Hladina akustického tlaku nameraná v súlade s normou EN 62841 je 86,5 dB(A) a hladina akustického výkonu je 97,5 dB(A) (neistota K = 3 dB) a vibrácie \* (triakový vektorový súčet; neistota K = 1,5 m/s<sup>2</sup>)
  - \* pri brúsení 3,4 m/s<sup>2</sup>
- Hladina emisií od vibrácií bola nameraná v súlade s normalizovaným testom uvedeným v norme EN 62841; môže sa používať na vzájomné porovnávanie náradí a na predbežné posúdenie vystavenia účinkom vibrácií pri používaní náradia pre uvedené aplikácie
  - používanie náradia na rôzne aplikácie, alebo v spojení s rôznymi alebo nedostatočne udržiavanými doplnkami môže značne **zvýšiť** úroveň vystavenia
  - časové doby počas ktorých je je náradie vypnuté alebo počas ktorých náradie beží ale v skutočnosti nevykonáva prácu môžu značne **znižovať** úroveň vystavenia
- ! **chráňte sa pred účinkami vibrácií tak, že budete náradie a jeho príslušenstvo správne udržiavať, tak že nebudete pracovať so studenými rukami a tak že si svoje pracovné postupy správne zorganizujete**



## Višenamjenski uređaj

1491

### UVOD

- Ovaj uređaj namijenjen je piljenju i rezanju drveta, plastike, žbuke, metala i mekih zidnih pločica, kao i za suho brušenje i struganje manjih površina
- Posebno je prikladan za radove blizu rubova i tik uz rubove
- Ovaj uređaj nije namijenjen profesionalnoj upotrebi
- Ovaj alat prihvaća najčešće dostupni višenamjenski pribor, uključujući postojeći OIS i Starlock pribor ③
- Pažljivo pročitajte i sačuvajte ove upute za rukovanje ④

### TEHNIČKI PODACI ①

#### DIJELOVI ALATA ②

- A Šesterokutni ključ
  - B Stezni vijak s podloškom
  - C Jastučić za pjeskarenje
  - D Brusnog papira
  - E Uređaj za odsis prašine
  - F Prekidač za uključivanje/isključivanje
  - G Kotačić za odabir brzine
  - H Otvori za strujanje zraka
  - J Lampica LED
  - K Segmentna oštrica pile \*
  - L Upuštena oštrica pile
  - M Dodatak za podešavanje dubine \*
- \* NIJE U STANDARDNOJ OPREMI

### SIGURNOST

#### OPĆA SIGURNOSNA UPOZORENJA ZA ELEKTRIČNE ALATE

**⚠ UPOZORENJE** Pročitajte sva sigurnosna upozorenja, upute, ilustracije i specifikacije isporučene s ovim električnim alatom. Zbog nepridržavanja svih uputa koje su navedene u nastavku može doći do nastanka strujnog udara, požara i/ili teške ozljede.

**Sva upozorenja i upute sačuvajte kao referencu za buduće upotrebe.**

U daljnjem tekstu korišten pojam "električni alat" odnosi se na električne alate s priključkom na električnu mrežu (s mrežnim kabelom) i na električne alate s napajanjem iz aku baterije (bez mrežnog kabela).

#### 1) SIGURNOST NA RADNOM MJESTU

- Vaše radno područje održavajte čisto i uredno.** Nered ili neosvijetljeno radno područje mogu doći do nezgoda.
- S uređajem ne radite u okolini ugroženoj eksplozijom, u kojoj se nalaze zapaljive tekućine, plinovi ili prašina.** Električni alati proizvode iskre koje mogu zapaliti prašinu ili pare.

- Djecu i ostale osobe držite dalje tijekom korištenja električnog alata.** Ako bi skrenuli pozornost sa posla mogli bi izgubiti kontrolu nad uređajem.
- ELEKTRIČNA SIGURNOST**
  - Priključni utikač uređaja treba odgovarati utičnici.** Na utikaču se ni u kojem slučaju ne smiju izvoditi izmjene. Ne koristite adapterske utikače zajedno sa uređajima koji su zaštićeni uzemljenjem. Originalni utikač i odgovarajuće utičnice smanjuju opasnost od električnog udara.
  - Izbjegavajte dodir tijela s uzemljenim površinama kao što su cijevi, centralno grijanje, štednjaci i hladnjaci.** Postoji povećana opasnost od električnog udara ako je vaše tijelo uzemljeno.
  - Držite uređaj dalje od kiše ili vlage.** Prodiranje vode u električni uređaj povećava opasnost od električnog udara.
  - Priključni kabel ne koristite za nošenje, vješanje ili za izvlačenje utikača iz utičnice.** Držite kabel dalje od izvora topline, ulja, oštih rubova ili pomičnih dijelova uređaja. Oštećen ili usukan kabel povećava opasnost od električnog udara.
  - Ako s električnim uređajem radite na otvorenom, koristite samo produžni kabel odobren za uporabu na otvorenom.** Primjena produžnog kabela prikladnog za uporabu na otvorenom smanjuje opasnost od električnog udara.
  - Ako se ne može izbjeći uporaba električnog alata u vlažnoj okolini, upotrijebite sigurnosna sklopka za propuštanje u zemlju.** Upotrebom sigurnosne sklopke za propuštanje u zemlju smanjuje se opasnost od električnog udara.
- SIGURNOST LJUDI**
  - Budite oprezni, pazite što činite i postupajte razumno kod rada s električnim alatom.** Ne koristite uređaj ako ste umorni ili pod utjecajem opojnih sredstava, alkohola ili lijekova. Trenutak nepažnje kod uporabe uređaja može doći do ozbiljnih ozljeda.
  - Nosite sredstva osobne zaštite i uvijek zaštitne naočale.** Nošenje sredstava osobne zaštite, kao što je zaštitna maska, sigurnosne cipele koje ne klize, zaštitne kacige ili štيتnika za sluh, ovisno od vrste i primjene električnog alata, smanjuje opasnost od nezgoda.
  - Izbjegavajte nehotično puštanje u rad. Prije nego što ćete utaknuti utikač u utičnicu i/ili staviti aku-bateriju, provjerite je li električni alat isključen.** Ako kod nošenja električnog alata imate prst na prekidaču ili se uključeni uređaj priključi na električno napajanje, to može dovesti do nezgoda.
  - Prije nego što uređaj uključite, uklonite alate za podešavanje ili vijčane ključeve.** Alat ili ključ koji se nalazi u rotirajućem dijelu uređaja može doći do nezgoda.
  - Ne precjenjujte svoje sposobnosti. Zauzmite siguran i stabilan položaj tijela i držite u svakom trenutku ravnotežu.** Na taj način možete uređaj bolje kontrolirati u neočekivanim situacijama.
  - Nosite prikladnu odjeću. Ne nosite široku odjeću ili nakit.** Kosu i odjeću držite dalje od pomičnih dijelova. Široku odjeću, dugu kosu ili nakit mogu zahvatiti pomični dijelovi.
  - Ako se mogu montirati naprave za usisavanje i hvatanje prašine, provjerite da li su iste priključene i da li se pravilno koriste.** Primjena naprave za usisavanje može smanjiti ugroženost od prašine.

- h) **Nemojte postati previše bezbrižni i zanemariti sigurnosne upute zato što alat često upotrebljavate i smatrate da ste ga dobro poznali.** Samo jedan trenutak nepažnje dovoljan je za nastanak ozbiljnih ozljeda.
- 4) **BRIŽLJIVA UPORABA ELEKTRIČNIH ALATA**
- a) **Ne preopterećujte uređaj. Koristite za vaše radove za to predviđeni električni alat.** S odgovarajućim električnim alatom radit ćete bolje i sigurnije, u navedenom području učinka.
- b) **Ne koristite električni alat čiji je prekidač neispravan.** Električni alat koji se više ne može uključiti ili isključiti, opasan je i treba se popraviti.
- c) **Alat prije podešavanja, izmjene pribora i odlaganja isključite iz izvora napajanja i/ili izvadite komplet baterije, ako se vadi iz uređaja.** Ovim mjerama opreza izbjeći će se nehotično uključivanje električnog alata.
- d) **Nekorištene električne alate spremite izvan doseg djece. Ne dopustite da uređaj koriste osobe koje s njim nisu upoznate ili koje nisu pročitale upute za uporabu.** Električni alati su opasni ako ih koriste neiskusne osobe.
- e) **Redovno održavajte električne alate i pribor. Kontrolirajte da li pomični dijelovi uređaja besprijekorno rade i da nisu zaglavljivi, te da li su dijelovi polomljeni ili tako oštećeni da negativno djeluju na funkciju uređaja. Popravite oštećene dijelove prije uporabe uređaja.** Mnoge nezgode imaju svoj uzrok u loše održanim uređajima.
- f) **Rezne alate održavajte ostrim i čistim.** Pažljivo održavani rezni alati s ostrim oštricama neće se zaglaviti i lakši su za vođenje.
- g) **Koristite električne alate, pribor, radne alate, itd., prema navedenim uputama. Pri tome uzmite u obzir radne uvjete i radove koje se izvode.** Uporaba električnih alata za neke druge primjene različite od predviđenih, može doći do opasnih situacija.
- h) **Drške i zahvatne površine održavajte suhima, čistima i pazite da na njih ne dospiju ulje ili mast.** Skliske drške i zahvatne površine onemogućuju sigurno rukovanje i alat se teško kontrolira u neočekivanim situacijama.
- 5) **SERVISIRANJE**
- a) **Popravak uređaja prepustite samo kvalificiranom stručnom osoblju i samo s originalnim rezervnim dijelovima.** Na taj će se način postići održanje stalne sigurnosti uređaja.

## SIGURNOSNE UPUTE ZA VIŠENAMJENSKE UREĐAJE

### OPĆENITO

- Uređaj ne bi smjele koristiti osobe mlađe od 16 godina
- Upotrebljavajte samo neodmotane i zaštićene produžne kabele kapaciteta 16 ampera
- Uvijek provjerite je li napon napajanja isti kao onaj naveden na tipskoj pločici uređaja
- Izbjegavajte oštećenja od vijaka, čavala i sličnih predmeta na vašem izratku; prije početka rada ih izvadite
- Prašina od materijala kao što su boje koje sadrže olovo, neke vrste drvca, minerali i metal mogu biti opasne (dodir s prašinom ili njeno udisanje mogu prouzročiti alergične reakcije i/ili respiratorna oboljenja rukovatelja ili posmatrača); **nosite masku za zaštitu od prašine i**

### radite s uređajem za ekstrakciju prašine ukoliko ga možete priključiti

- Određene vrste prašine klasificiraju se kao karcinogenske (kao što su prašina hrastovine i bukovine), osobito u sudejstvu s aditivima za kondicioniranje drveta; **nosite masku za zaštitu od prašine i radite s uređajem za ekstrakciju prašine ukoliko ga možete priključiti**
- Nacionalni uvjeti za materijale s kojima želite raditi
- **Koristite stezaljke ili drugi praktičan način za učvršćenje i potporu izratka na stabilnoj platformi** (držanje rada rukom ili njegovo naslanjanje na tijelo čini ga nestabilnim i može dovesti do gubitka kontrole)
- **Ne obrađujte materijal koji sadrži azbest** (azbest se smatra kancerogenim)
- **Uvijek isključite utikač iz izvora napajanja tijekom odmora ili prije čišćenja, održavanja, podešavanja i zamjene pribora kako biste smanjili opasnost od slučajnog pokretanja uređaja**
- Kod rada alat uvijek čvrsto držati s obje ruke i zauzeti siguran i stabilan položaj tijela
- Kabel uvijek držati dalje od rotirajućih dijelova uređaja; kabel povlačiti iza uređaja
- **Pri zamjeni pribora nosite zaštitne rukavice** (kontakt s priborom može dovesti do ozljeda)
- U slučaju neuobičajenog ponašanja uređaja ili neobičnih šumova, uređaj treba odmah isključiti i izvući utikač iz mrežne utičnice
- Ako se tijekom rada priključni kabel ošteti ili odreže, ne dirati priključni kabel, nego odmah izvući mrežni utikač
- Nikada ne upotrebljavajte alat ako je kabel za napajanje oštećen; on se mora zamijeniti posebnim kabelom koji je dostupan u postprodajnim centrima za alate SKIL, a postupak zamjene treba obaviti obučena osoba
- Čim se odmaknete od alata trebate ga isključiti, a pomični se dijelovi trebaju potpuno zaustaviti

### PILJENJE/REZANJE

- **Električni alat držite na izoliranim površinama zahvata, kada radite na mjestima gdje bi svrdlo moglo oštetiti skrivene električne kablove ili vlastiti priključni kabel** (kontakt sa vodom pod naponom može i metalne dijelove električnog alata staviti pod napon i dovesti do strujnog udara)
- **Držite ruke podalje od područja rezanja;** tijekom rezanja nikada ne posežite ispod materijala iz bilo kojeg razloga
- **Koristite prikladne uređaje za traženje napona kako bi se pronašli skriveni napojni vodovi ili se savjetuje s lokalnim distributerom** (kontakt s električnim vodovima mogao bi doći do požara i električnog udara; oštećenje plinske cijevi moglo bi dovesti do eksplozije; probijanje vodovodne cijevi uzrokuje materijalne štete ili može uzrokovati električni udar)
- Ne smiju se koristiti napukli ili tupi listovi pile ili takvi koji su promijenili svoj oblik

### PJESKARENJE

- **Uređaj koristite samo za suho pjeskarenje** (prodiranje vode u uređaj povećava opasnost od udara električne struje)
- Ne dirati brusni papir koji je u pokretu
- Ne koristiti više istrošene, napukle ili jako začepljene brusne papire
- Kod brušenja metala dolazi do iskenjenja; ne koristite usisavač prašine, a ostale osobe kao i zapaljive materijale držite dalje od radnog područja

## POJAŠNJENJE SIMBOLA NA UREĐAJU

- ③ Ovaj alat prihvaća najčešće dostupni višenamjenski pribor, uključujući postojeći osnovni pribor marke OIS i Starlock
- ④ Prije upotrebe pročitajte korisnički priručnik
- ⑤ Dvostruka izolacija (dozemna žica nije potrebna)
- ⑥ Uređaj ne bacajte u kućni otpad

## POSLUŽIVANJE

- Promjena dodatne opreme ⑦
  - ! **izvući mrežni utikač**
  - uklonite/postavite dodatni pribor u skladu s prikazom na slici
  - otvori na dodatnom priboru moraju odgovarati jezičcima na glavi uređaja (bilo kojem položaju "sjedanja" na mjesto)
  - montirajte pribor tako da upušteni centar gleda prema dolje
  - odvijte/privijte vijak B šesterokutnim ključem A
  - **provjerite tijesno usjedanje pribora** (nepravilno ili nedovoljno pričvršćen pribor može se olabaviti tijekom rada i prouzročiti opasnu situaciju)
- Pričvršćenje brusnog papira ⑧
  - prije montaže brusnog papira treba lupnuti po VELCRO materijalu na brusnoj ploči C
  - VELCRO brusni papir D staviti kao na ilustraciji
  - ! **za usisavanje prašine trebate perforirani brusni papir**
  - ! **rupe u perforiranom papiru trebaju se podudarati s onima za brusnu ploču**
  - ! **istrošeni brusni papir treba pravovremeno zamijeniti**
  - ! **uređaj koristite samo ako je kompletna VELCRO površina pokrivena brusnim papirom**
- Usisavanje prašine ⑨
  - ! **izvući mrežni utikač**
  - upotrebljavajte uređaj za usisavanje prašine E samo kada radite s brusnom podlogom C
  - montirajte uređaj za odsis prašine E prema prikazu na slici
  - priključiti usisavač
  - ! **ne koristite dodatak za prašinu/usisavač pri brušenju metala**
  - vrećicu za prašinu E praznite redovito kako biste postigli optimalno skupljanje viška prašine
- Uključivanje/isključivanje
  - Uređaj uključiti/isključiti pritiskom na prekidač F ② u "I"/"O" položaj
  - ! **prije nego što pribora zareže izradak, treba se postići max. broj okretaja**
  - ! **prije isključivanja alata, isti se treba skinuti sa izratka**
- Podešavanje brzine rada ⑩
  - pomoću kotačića G potrebna brzina oscilacije može se podesiti od niske (1) do visoke (6) (i dok uređaj radi)
  - optimalna radna brzina ovisi o materijalu i može se utvrditi probnim radovima
- LED lampica J ⑪
  - Lampica LED J automatski zasvijetli kada se pokrene prekidač F
- Držanje i vođenje uređaja ⑫
  - ! **alat kod primjene, držati samo na sivo označenim područjima**

- otvore za strujanje zraka H držite nepokriveno
- ne pritišćite alat prejako (preveliki pritisak izaziva pregrijavanje i može skratiti životni vijek dodatka)
- Dodatak za podešavanje dubine M (DEPTH STOP) (nije dio standardne opreme) ⑬

## SAVJETI ZA PRIMJENU

- Kako biste postigli zadovoljavajuće rezultate na različitim materijalima, upotrijebite tablicu ⑭ kako biste odabrali odgovarajući dodatak (**nestandardni dodaci su uključeni**)
- Dodatne savjete možete naći na adresi [www.skil.com](http://www.skil.com)

## ODRŽAVANJE / SERVISIRANJE

- Ovaj uređaj nije namijenjen profesionalnoj upotrebi
- Održavajte čistim uređaj i kabel (osobito otvore za hlađenje H ②)
- ! **prije čišćenja treba izvući mrežni utikač**
- Ako bi uređaj unatoč brižljivih postupaka izrade i ispitivanja ipak prestao raditi, popravak treba prepustiti ovlaštenom servisu za SKIL električne alate
  - uređaj treba **nerastavljeno** predati, zajedno s računom o kupnji u najbližu SKIL ugovornu servisnu radionicu (popise servisa, kao i oznake rezervnih dijelova uređaja možete naći na adresi [www.skil.com](http://www.skil.com))
- Imajte na umu kako jamstvo ne obuhvaća štete nastale zbog preopterećenja ili nepravilnog rukovanja alatom (za uvjete iz SKIL jamstva, posjetite [www.skil.com](http://www.skil.com) ili upitajte svog prodavača)

## ZAŠTITA OKOLIŠA

- **Električne alate, pribor i ambalažu ne bacajte u kućni otpad** (samo za EU-države)
  - prema Europskoj direktivi 2012/19/EG o staroj električnoj i elektroničkoj opremi i njenoj primjeni u skladu sa nacionalnim zakonom, istrošeni električni alati moraju se sakupljati odvojeno i odvesti u posebne pogone za reciklažu
  - na to podsjeća simbol ⑯ kada se javi potreba za odlaganjem

## BUKA / VIBRACIJA

- Mjerene u skladu s normom EN 62841, razina zvučnog tlaka ovoga alata je 86,5 dB(A), razina zvučne snage 97,5 dB(A) (nesigurnost K = 3 dB), a vibracija \* (troaksijalna vektorska suma; nesigurnost K = 1,5 m/s<sup>2</sup>) \* prilikom pjeskarenja 3.4 m/s<sup>2</sup>
- Razina emitiranja vibracija izmjerena je sukladno normiranom testu danom u EN 62841; ona se može koristiti za usporedbu jedne alatke s drugom, te preliminarnu procjenu izloženosti vibracijama pri uporabi alatke za navedene namjene
  - uporaba ove alatke za druge namjene ili s drugim ili slabo održanim nastavcima, može u značajnoj mjeri **uvećati** razinu izloženosti
  - vrijeme tokom kojega je alatka isključena, ili je uključena ali se njome ne radi, može značajno **umanjiti** razinu izloženosti
- ! **zaštitite se od posljedica vibracija održavanjem alatke i njezinih nastavaka, održavanjem Vaših ruku toplima, te organiziranjem Vaših obrazaca rada**

## Višenamenski alat 1491

### UPUTSTVO

- Ovaj alat je namenjen za testerisanje i sečenje drveta, plastike, maltera, metala i mekih zidnih pločica, kao i za suvo brušenje i struganje manjih površina
- Posebno je namenjen za radove u ravni i blizu ivica
- Ovaj alat nije namenjen za profesionalnu upotrebu
- Ovaj alat prihvata većinu dostupnog višenamenskog pribora, uključujući OIS i Starlock pribor ③
- Pažljivo pročitajte i sačuvajte ova uputstva za rukovanje ④

### TEHNIČKI PODACI ①

#### ELEMENTI ALATA ②

- A Imbus ključa
  - B Stezni zavrtnaj sa podloškom
  - C Brusna ploča
  - D Brusni list
  - E Uređaj za izvlačenje prašine
  - F Prekidač za uključivanje/isključivanje
  - G Toččić za biranje brzine
  - H Prorezi za hlađenje
  - J LED-svetlo
  - K Sečivo segmentne testere \*
  - L Sečivo ubodne testere
  - M Dodatak za podešavanje dubine \*
- \* NIJE UKLJUČENA U STANDARDNU PONUDU

### SIGURNOST

#### OPŠTA SIGURNOSNA UPOZORENJA ZA ELEKTRIČNI ALAT

**⚠ UPOZORENJE** Pročitajte sva bezbednosna upozorenja, uputstva, ilustracije i specifikacije priložene uz ovaj električni alat. Ukoliko se ne slede sva uputstva navedena u nastavku može doći do strujnog udara, požara i/ili ozbiljne povrede.

#### Sačuvajte sva upozorenja i uputstva za buduću upotrebu.

Pojam upotrebljen u upozorenjima "električni alat" odnosi se na električne alate sa radom na mreži (sa mrežnim kablom) i na električne alate sa radom na akumulator (bez mrežnog kabela).

#### 1) SIGURNOST NA RADNOM MESTU

- Držite Vaše područje rada čisto i pospremljeno.** Nered ili neosvetljena radna područja mogu voditi nesrećama.
- Ne koristite električni alat tamo gde postoji opasnost od eksplozije kao npr. u prisustvu zapaljivih tečnosti, gasova ili prašine.** Električni alati proizvode varnice, koje mogu zapaliti prašinu ili isparenja.
- Za vreme korišćenja električnog alata držite podalje decu i druge osobe.** Kod skretanja možete izgubiti kontrolu nad alatom.

#### 2) ELEKTRIČNA SIGURNOST

- Utikač električnog alata mora odgovarati utičnici.** Nikada nemojte modifikovati utikač. Ne upotrebljavajte adaptere utikača sa uzemljenim električnim alatom. Nemodifikovani utikači i odgovarajuće utičnice smanjuju rizik od električnog udara.
  - Izbegavajte telesni kontakt sa uzemljenim gornjim površinama, kao što su cevi, grejanja, šporeti i rashladni ormani.** Postoji povećani rizik od električnog udara, ako je Vaše telo uzemljeno.
  - Ne izlažite električni alat kiši ili vlažnim uslovima.** Prodor vode u električni alat povećava rizik od električnog udara.
  - Ne zloupotrebljavajte kabl.** Nikada nemojte koristiti kabl za nošenje i vučenje električnog alata ili za izvlačenje iz utičnice. Držite kabl dalje od vreline, ulja, oštih ivica ili pokretnih delova. Oštećeni ili umršeni kablovi povećavaju rizik električnog udara.
  - Ako sa nekim električnim alatom radite u prirodi, upotrebljavajte samo produžne kablove koji su dozvoljeni za spoljno područje.** Upotreba produžnog kabla pogodnog za spoljno područje smanjuje rizik od električnog udara.
  - Ako rad električnog alata ne može da se izbegne u vlažnoj okolini, koristite prekidač strujne zaštite pri kvaru.** Upotreba prekidača strujne zaštite pri kvaru smanjuje rizik od električnog udara.
- #### 3) SIGURNOST OSOBA
- Budite oprezni, pazite na to šta radite i razumno rukujte Vašim električnim alatom. Ne koristite električni alat dok ste umorni ili pod uticajem narkotika, alkohola ili lekova.** Momenat nepažnje kod upotrebe električnog alata može rezultirati ozbiljnim povredama.
  - Nosite ličnu zaštitnu opremu i uvek zaštitne naočare.** Nošenje lične zaštitne opreme, kao maske za prašinu, sigurnosne cipele koje ne klizaju, zaštitni šlem ili zaštitu za sluh, zavisno od vrste i upotrebe električnog alata, smanjujete rizik od povreda.
  - Sprečite nenamerno puštanje u rad. Pre priključivanja na struju i/ili na akumulatorsku bateriju, podizanja ili nošenja alata uverite se da je prekidač isključen.** Nošenje električnog alata sa prstom na prekidaču ili priključivanje na struju uključenog električnog alata vodi do nesreće.
  - Uklonite bilo kakve ključeve za podešavanje ili ključeve za zavrtnjeve, pre nego što uključite električni alat.** Ostavljanje ključa za zavrtnjeve ili ključa prikačene na rotirajući deo električnog alata može rezultirati ličnom povredom.
  - Ne zauzimajte neadekvatan položaj. Sve vreme držite ravnotežu i pravilan položaj nogu.** Ovo omogućava bolje upravljanje električnim alatom u neočekivanim situacijama.
  - Nosite pogodno odelo. Ne nosite široko odelo ili nakit.** Držite kosu i odelu dalje od pokretnih delova. Opušteno odelo, nakit ili duža kosa mogu biti zahvaćeni od rotirajućih delova.
  - Ako se mogu montirati uređaji za usisavanje prašine i uređaji za hvatanje prašine, uverite se da li su priključeni i ispravno koriste.** Upotreba usisavanja prašine može smanjiti opasnosti od prašine.

- h) **Ne dozvolite da pouzdanje koje ste stekli čestom upotrebom alata utiče na to da postanete neoprezni i da zanemarite sigurnosne principe za upotrebu alata.** Neoprezno delovanje može prouzrokovati teške povrede u deliću sekunde.
- 4) **BRIŽLJIVO OPHODJENJE I KORIŠĆENJE ELEKTRIČNIH ALATA**
- a) **Ne preopterećujte električni alat. Koristite električni alat koji odgovara Vašoj primeni.** Sa odgovarajućim električnim alatom radite bolje i sigurnije tempom za koji je projektovan.
- b) **Ne upotrebljavajte električni alat, čiji je prekidač u kvaru.** Električni alat koji više ne može da se uključi ili isključi je opasan i mora da se popravi.
- c) **Izvućite utikač iz utičnice i/ili izvadite akumulatorsku bateriju, ukoliko je to moguće, iz električnog alata pre nego što izvršite bilo kakva podešavanja, promenu pribora ili pre nego što uskladištite električni alat.** Takve preventivne sigurnosne mere smanjuju rizik od slučajnog pokretanja električnog alata.
- d) **Čuvajte električne alate koje ne koristite izvan domašaja dece i ne dozvoljavajte osobama, koje nisu upoznate sa ovim električnim alatom ili sa ovim uputstvima, da rukuju električnim alatom.** U rukama neobučanih korisnika električni alati postaju opasni.
- e) **Održavajte električni alat i pribore. Proverite da li su pokretni delovi u ravni i da li negde zapinju, da nije došlo do lomljenja delova i svako drugo stanje koje može uticati na rad električnog alata. Ukoliko je oštećen, odnesite električni alat na popravku pre korišćenja.** Mnoge nesreće su prouzrokovane lošim održavanjem električnih alata.
- f) **Držite alate za sečenja oštre i čiste.** Brižljivo negovani alati za sečenje sa oštrim sečivima manje slepljuju i lakše se vode.
- g) **Upotrebljavajte električne alate, pribor, alate koji se umeću itd. prema ovim uputstvima. Obratite pažnju pritom na uputstva za rad i posao koji treba izvesti.** Upotreba električnih alata za druge od propisanih namena može voditi opasnim situacijama.
- h) **Održavajte drške i prihvatne površine suvim, čistim i bez ostataka ulja ili masnoće.** Klizave drške ili prihvatne površine ne omogućavaju bezbedno rukovanje i upravljanje alatom u neočekivanim situacijama.
- 5) **SERVISIRANJE**
- a) **Vaš električni alat dajte na servisiranje samo kvalifikovanom licu za popravku, koristeći pritom samo identične rezervne delove.** Ovo će osigurati očuvanje bezbednosti električnog alata.

## BEZBEDNOSNA UPUTSTVA ZA VIŠENAMENSKE ALATE

### OPŠTA

- Ovaj alat ne treba da koriste osobe ispod 16 godina
- Proizlužni kabl koji koristite mora da bude sasvim odmotan i siguran, sa kapacitetom od 16 A
- Uvek se уверite da je napon struje isti kao i napon naveden na pločici sa nazivom alatu
- Izbegavajte oštećenja od šrafova, eksera i drugih predmeta na vašem području rada; uklonite ih pre nego što započnete rad
- Prašina od materijala, kao što su boja koja sadrži olovo, neke vrste drveta, minerali i metal, može biti opasna (dodir ili udisanje prašine može prouzrokovati alergijske

reakcije i/ili respiratorna oboljenja rukovaoca i lica u blizini); **nosite masku protiv prašine i radite uz uključeni uređaj za ekstrakciju prašine kada radite na mestima gde ju je moguće priključiti**

- Određene vrste prašine su klasifikovane kao kancerogene (kao što su prašina hrastovine i bukovine), posebno u sadejstvu sa aditivima za pripremu drveta; **nosite masku protiv prašine i radite uz uključeni uređaj za ekstrakciju prašine kada radite na mestima gde ju je moguće priključiti**
- Prati nacionalne propise vezane za prašinu koja se proizvodi prilikom rada na obrađivanim materijalima
- **Upotrebite stezaljke ili na drugi praktičan način učvrstite i poduprite radni predmet na stabilnu platformu** (ako radni predmet držite rukom ili ga oslonite o telo, on tada nije stabilan i može doći do gubitka kontrole)
- **Ne obradjujte nikakav materijal koji sadrži azbest** (azbest važi kao izazivač raka)
- **Uvek izvućite utikač iz izvora napajanja tokom pauza u radu ili pre čišćenja, održavanja, vršenja bilo kakvih podešavanja ili zamene pribora da bi se umanjio rizik od slučajnog pokretanja uređaja**
- Prilikom rada alat treba držati sa obe ruke i zauzeti siguran stav
- Kabl uvek držite podalje od pokretnih delova alata; uvek ga treba držati iza alata
- **Koristite zaštitne rukavice prilikom zamene pribora** (kontakt sa priborom može dovesti do povređivanja)
- U slučaju da dođe do električnog ili mehaničkog kvara, odmah isključite alat i iskopčajte ga iz utičnice
- Ako se kabl ošteti ili preseče u toku rada, odmah ga iskopčajte i nemojte ga dodirivati
- Nikada nemojte koristiti alat kada je kabl oštećen, on mora da se zameni posebnim kablom koji je dostupan u servisnim centrima za alate na struju kompanije SKIL a zamenu treba da obavi kvalifikovana osoba
- Kalam završite rad sa alatom, isključite motor i proverite da li su se zaustavili svi pokretni delovi

### PRILIKOM TESTERISANJA/SEČENJA

- **Držite električni alat za izolovane hvataljke kada izvodite radove kod kojih upotrebljeni alat može da susretne skrivene vodove struje ili kabl samog alata** (kontakt sa jednim vodom koji sprovodi struju može da stavi pod napon metalne delove uređaja i da utiče na električni udar)
  - **Udaljite ruke iz oblasti sečenja;** nikada i ni u kom slučaju ne posežite ispod materijala tokom sečenja
  - **Koristite odgovarajuće aparate za proveru dali se u zidu koji bušimo nalaze skrivene instalacije, ili za taj posao nađite odgovarajuće preduzeće** (kontakt sa električnim vodovima može izazvati požar ili električni udar; oštećenje gasovoda koji sprovodi eksploziju; probijanje cevi sa vodom uzrokuje štete ili može izazvati električni udar)
  - Ne koristite sečivo koje je napuklo, deformisano ili tupo
- ### KOD BRUŠENJA I POLIRANJA
- **Alat koristite samo za suvo brušenje i poliranje** (prodiranje vode u alat povećava opasnost od električnog udara)
  - Nemojte da dirate brusni papir koji je u pokretu
  - Nemojte da koristite istrošen, pohaban ili veoma zapušten brusni papir
  - Kod brušenja metala, dolazi do varničenja; nemojte da koristite usisivač, a ostale osobe i zapaljivi materijali treba da budu dalje od područja rada

## OBJAŠNJENJE SIMBOLA NA ALATU

- ③ Ovaj alat prihvata većinu dostupnog višenamenskog pribora, uključujući OIS i Starlock osnovni pribor
- ④ Pročitajte uputstvo za korišćenje pre prve upotrebe
- ⑤ Dvostruka izolacija (nije potrebna žica za uzemljenje)
- ⑥ Alat ne odlažite u kućne otpatke

## UPUTSTVO ZA KORIŠĆENJE

- Menjanje pribora ⑦
  - ! **iskopčajte utikač**
  - uklonite/montirajte potrebni pribor kao što je ilustrovano
  - neka otvori pribora obavezno zahvate pločice glave alata (u svakoj mogućoj uklopnj poziciji)
  - montirajte pribor sa pritisnutim centrom okrenutim nadole
  - otpustite/zategnite zavrtanj B pomoću heksagonalnog ključa A
  - **proverite da li pribor čvrsto naleže** (nepravilno ili nebezbedno pričvršćen pribor može postati labav tokom rada i izazvati opasnost)
- Postavljanje brusnog papira ⑧
  - istresite prašinu iz VELCRO materijala na brusnoj ploči C pre nego što montirate brusni papir
  - postavite VELCRO brusni papir D kao što je prikazano na slici
  - ! **za usisavanje prašine je potreban perforiran brusni papir**
  - ! **perforacija brusnog papira treba da se podudara sa perforacijom brusne ploče**
  - ! **pravovremeno zamenite istrošen brusni papir**
  - ! **čitava VELCRO brusna površina treba da bude prekrivena brusnim papirom svaki put kada koristite alat**
- Usisavanje prašine ⑨
  - ! **iskopčajte utikač**
  - koristite uređaj za izvlačenje prašine E samo kada radite sa brusnom pločom C
  - montirajte uređaj za izvlačenje prašine E kao što je ilustrovano
  - priključite usisivač
  - ! **nemojte koristiti uređaj za izvlačenje prašine/ usisivač kada brusite metal**
  - redovno čistite uređaj za izvlačenje prašine E za optimalne performanse sakupljanja prašine
- Uključivanje/isključivanje
  - Uključite/isključite alat pritiskajući prekidač F ② u "I"/"O" poziciju
  - ! **alat bi trebalo da radi u punoj brzini pre nego što pribor dodirne područje rada**
  - ! **uređaj treba da ga podignete sa područja rada pre nego što ga isključite**
- Podešavanje radne brzine ⑩
  - pomoću točka G možete podesiti potrebnu frekvenciju oscilovanja od niskog (1) do visokog (6) stepena (i tokom rada alata)
  - optimalna radna brzina zavisi od materijala i može se utvrditi praktičnim pokušajima
- LED-svetlo J ⑪
  - LED-svetlo J se automatski uključuje kada se aktivira prekidač F
- Držanje i upravljanje alata ⑫
  - ! **dok radite, uvek držite alat za mesto(a) koje(a) su označena sivom bojom**

- prerezi za hlađenje H moraju da budu otvoreni
- ne pritiscajte alat prekomerno (prekomeran pritisak izazvaće prekomernu toplotu i može skratiti radni vek dodatka)
- Dodatak za podešavanje dubine M (DEPTH STOP) (ne dobija se zajedno sa alatom) ⑬

## SAVETI ZA PRIMENU

- Da bi se ostvarili optimalni rezultati na različitim materijalima koristite tabelu ⑭ kao referencu za utvrđivanje pravog pribora (**pribori koji se standardno ne isporučuju**)
- Za više saveta pogledajte [www.skil.com](http://www.skil.com)

## ODRŽAVANJE / SERVIS

- Ovaj alat nije namenjen za profesionalnu upotrebu
- Alat i kabl uvek održavajte čistim (posebno otvore za hlađenje H ②)
  - ! **pre čišćenja iskopčajte kabl iz utičnice**
- Ako bi alat i pored brižljivog postupka izrade i kontrole nekada otkazao, popravku mora vršiti neki autorizovani servis za SKIL-električne alate
  - pošaljite **nerastavljeni** alat zajedno sa potvrdom o kupovini vašem nabavljaču ili najbližem SKIL servisu (adrese i oznake rezervnih delova možete naći na [www.skil.com](http://www.skil.com))
- Imajte na umu da za oštećenja nastala usled preopterećenja ili nepravilnog rukovanja neće važiti garancija (za uslove SKIL garancije posetite [www.skil.com](http://www.skil.com) ili pitajte svog prodavca)

## ZAŠTITA OKOLINE

- **Električne alate, pribora i ambalaže ne odlažite u kućne otpatke** (samo za EU-države)
  - prema Evropskoj direktivi 2012/19/EG o staroj električnoj i elektronskoj opremi i njenoj upotrebi u skladu sa nacionalnim pravom, električni alati koji su istrošeni moraju biti sakupljeni odvojeno i dostavljeni pogonu za reciklažu
  - simbol ⑥ će vas podsetiti na to

## BUKA / VIBRACIJE

- Izmeren u skladu sa standardom EN 62841 nivo pritiska zvuka ovog alata je 86,5 dB(A) a nivo jačine zvuka 97,5 dB(A) (neizvesnost K = 3 dB), i vibracija \* (troosni vektorski zbir; neizvesnost K = 1,5 m/s<sup>2</sup>)
- \* tokom suvo brušenja 3.4 m/s<sup>2</sup>
- Nivo emisije vibracija izmeren je u skladu sa standardizovanim testom datim u EN 62841; on se može koristiti za upoređenje jedne alatke sa drugom, kao i za preliminarnu procenu izloženosti vibracijama pri korišćenju ove alatke za pomenute namene
  - korišćenje alatke u drugačije svrhe ili sa drugačijim ili slabo održavanim nastavcima može značajno **povećati** nivo izloženosti
  - vreme kada je alatka isključena ili kada je uključena, ali se njome ne radi, može značajno  **smanjiti** nivo izloženosti
  - ! **zaštitite se od posledica vibracija održavanjem alatke i njenih nastavaka, održavajući Vaše ruke toplim i organizovanjem Vaših radnih obrazaca**

## Večnamensko orodje 1491

### UVOD

- To orodje je namenjeno žaganju ter rezanju lesa, plastike, mavca, kovin in mehkih stenskih ploščic in za suho brušenje in strganje majhnih površin
- Še posebej je primerno za dela blizu roba in dela, ki so poravnana z robom
- Orodje ni namenjeno profesionalni uporabi
- To orodje omogoča uporabo običajne opreme za večnamenska orodja, vključno z obstoječo opremo za orodja OIS in Starlock ③
- Preberite in shranite navodila za uporabo ④

### TEHNIČNI PODATKI ①

### DELI ORODJA ②

- A Imbus ključ
  - B Spojni vijak s tesnilom
  - C Brusilna plošča
  - D Brusni papir
  - E Naprava za odpraševanje
  - F Stikalo vklopi/izklopi
  - G Kolesce za izbiro hitrosti
  - H Ventilacijske reže
  - J Dioda LED
  - K Segmentni žagin list \*
  - L Žagin list za potopne reze
  - M Pripomoček za nastavitve globine \*
- \* NI DEL STANDARNE OPREME

### VARNOST

#### SPLOŠNA VARNOSTNA OPOZORILA ZA ELEKTRIČNA ORODJA

**⚠ OPOZORILO** Preberite vsa varnostna opozorila, navodila in tehnične podatke ter si oglejte slike, ki so priložni temu električnemu orodju. Neupoštevanje spodaj navedenih navodil se lahko odrazi v električnem udaru, požaru in/ali hudih poškodbah.

**Vsa opozorila in navodila shranite, saj jih boste v prihodnosti morda potrebovali.**

Pojem "električno orodje", ki se pojavlja v nadaljnjem besedilu, se nanaša na električna orodja z električnim pogonom (z električnim kablom) in na akumulatorska električna orodja (brez električnega kabla).

#### 1) VARNOST NA DELOVNEM MESTU

- Poskrbite, da bo Vaše delovno mesto vedno čisto in urejeno.** Nered ali neosvetljena delovna področja lahko povzročijo nezgode.
- Prosimo, da orodja ne uporabljate v okolju, kjer je nevarnost za eksplozije in v katerem se nahajajo gorljive tekočine, plini in prah.** Električna orodja povzročajo iskenje, zato se gorljivi prah ali pare lahko vnamejo.
- Ne dovolite otrokom in drugim osebam, da bi se medtem ko delate, približali električnemu orodju.**

Druge osebe lahko odvrnejo Vašo pozornost drugam in izgubili boste nadzor nad orodje.

#### 2) ELEKTRIČNA VARNOST

- Vtič mora ustrezati električni vtičnici in ga pod nobenim pogojem ne smete spreminjati. Uporaba adapterskih vtičev v kombinaciji z ozemljena orodja ni dovoljena.** Originalni oziroma nespremenjeni vtiči in ustrezne vtičnice zmanjšujejo tveganje električnega udara.
- Izogibajte se telesnemu stiku z ozemljenimi površinami, na primer s cevmi, grelci, štedilniki in hladilniki.** Če je ozemljeno tudi vaše telo, obstaja povečano tveganje električnega udara.
- Zavarujte orodje pred dežjem ali vlago.** Vdor vode v električno orodje povečuje tveganje električnega udara.
- Električnega kabla ne uporabljajte za prenašanje ali obešanje orodja in ne vlecite vtič iz vtičnice tako, da vlečete za kabel.** Zavarujte kabel pred vročino, oljem, ostrimi robovi in premikajočimi se deli orodja. Poškodovani ali prepleteni kabli povečujejo tveganje električnega udara.
- Če z električnim orodjem delate na prostem, uporabljajte izključno kabelski podaljšek, ki je atestiran za delo na prostem.** Uporaba kabelskega podaljška, primernega za delo na prostem, zmanjšuje tveganje električnega udara.
- Če je uporaba električnega orodja v vlažnem okolju neizogibna, uporabljajte prekinjevalec električnega tokokroga.** Prekinjevalca električnega tokokroga zmanjšuje tveganje električnega udara.

#### 3) OSEBNA VARNOST

- Bodite zbrani in pazite, kaj delate. Dela z električnim orodjem se lotite razumno. Nikoli ne uporabljajte orodja, če ste utrujeni in če ste pod vplivom mamil, alkohola ali zdravil.** En sam trenutek nepazljivosti pri uporabi orodja ima lahko za posledico resne telesne poškodbe.
- Uporabljajte osebna zaščitna sredstva in vedno nosite zaščitna očala.** Uporaba osebnih zaščitnih sredstev, na primer maske proti prahu, nedrsečih zaščitnih čevljev, zaščitne čelade in glušnikov, odvisno od vrste in uporabe električnega orodja, zmanjšuje tveganje telesnih poškodb.
- Izogibajte se nenamernemu zagonu. Pred priključitvijo električnega orodja na električno omrežje in/ali na akumulator in pred dviganjem ali nošenjem se prepričajte, če je električno orodje izklopljeno.** Prenašanje naprave s prstom na stikalo ali priključitev vklopljenega električnega orodja na električno omrežje je lahko vzrok za nezgodo.
- Pred vklopom orodja odstranite z nje nastavitvena orodja ali vijačni ključ.** Orodje ali ključ, ki se nahajata na vrtečem se delu električnega orodja, lahko povzročita nezgodo.
- Ne precenjujte se in poskrbite za varno stojišče in stalno ravnotežje.** Tako boste lahko v nepričakovani situaciji bolje obvladali orodje.
- Oblecite se primerno. Ne nosite ohlapnih oblačil ali nakita. Las in oblačil ne približujte premikajočim se delom.** Ohlapna oblačila, nakit ali dolgi lasje se lahko ujamejo v premikajoče se dele.
- Če je možno na orodje namestiti priprave za odsesavanje in prestrezanje prahu, prepričajte se, ali so le-te priključene in, če jih pravilno uporabljate.**

Uporaba priprave za odsesavanje prahu zmanjšuje zdravstveno ogroženost zaradi prahu.

- h) **Naj seznanjenost z orodjem, ki jo pridobite s pogosto uporabo, ne bo razlog za to, da postanete lahkomišelní in ignorirate varnostna načela.** V deličku sekunde lahko nepozorno dejanje pripelje do hude poškodbe.
- 4) **RAVNANJE IN NEGA ROČNEGA ORODJA**
- a) **Ne preobremenjujte orodja. Za določeno delo uporabljajte električno orodje, ki je predvideno za opravljanje tega dela.** Z ustreznim električnim orodjem boste delo opravili bolje in varneje, ker je bilo v ta namen tudi konstruirano.
- b) **Električno orodje, ki ima pokvarjeno stikalo, ne uporabljajte.** Električno orodje, ki ga ni možno vklopiti ali izklopiti, je nevarno in ga je potrebno popraviti.
- c) **Izvlcite vtič iz vtičnice in/ali odstranite akumulatorsko baterijo, če jo je mogoče izzeti, še preden orodje popravljate, menjujete pribor ali ga shranite.** Ti preventivni varnostni ukrepi zmanjšajo tveganje za nenamenski zagon orodja.
- d) **Kadar orodja ne uporabljate ga shranjujte izven dosega otrok. Osebam, ki orodja ne poznajo ali niso prebrale teh navodil, orodja ne dovolite uporabljati.** Električna orodja so nevarna, če jih uporabljajo neizkušene osebe.
- e) **Vzdržujte električna orodja in pribor. Preverite, če premikajoči se deli orodja delujejo brezhibno in če se ne zatikajo, oziroma, če kakšen del orodja ni zlomljen ali poškodovan do te mere, da bi oviral njegovo delovanje. Pred nadaljnjo uporabo je potrebno poškodovani del popraviti.** Vzrok za številne nezgode so ravno slabo vzdrževana električna orodja.
- f) **Rezalna orodja naj bodo ostra in čista.** Skrbno negovana rezalna orodja z ostrimi rezili se manj zatikajo in so bolj vodljiva.
- g) **Električna orodja, pribor, nastavke in podobno uporabljajte v skladu s temi navodili. Pri tem upoštevajte delovne pogoje in vrsto dela, ki ga nameravate opraviti.** Zaradi uporabe električnega orodja v druge, nepredvidene namene, lahko nastanejo nevarne situacije.
- h) **Ročaji in površine za prijemanje naj bodo suhe, čiste in brez olja ali maščobe.** Gladki ročaji in površine za prijemanje ne omogočajo varne uporabe in nadzora orodja v nepričakovanih situacijah.
- 5) **SERVISIRANJE**
- a) **Popravilo orodja lahko opravi samo usposobljena strokovna oseba in to izključno z originalnimi nadomestnimi deli.** Le tako bo ohranjena nadaljnja varnost orodja.

## VARNOSTNA NAVODILA ZA VEČNAMENSKA ORODJA

### SPLOŠNO

- Orodja naj ne bi uporabljale osebe mlajše od 16 let
- Uporabljajte povsem iztegnjene in varne električne podaljške, z jakostjo 16 amperov
- Vedno preverite, če je napetost omrežja enaka napetosti, ki je navedena na tablici orodja
- Izogibajte se poškodb zaradi vijakov, žebeljev ali drugih elementov v obdelovanju; odstranite jih pred začetkom dela

- Prah materialov, kot so barve, ki vsebujejo svinec, nekatere vrste lesa, mineralov ali kovin so lahko škodljivi (ob stiku ali vdihavanju lahko prah pri delavcu ali pri drugih prisotnih povzroči alergijsko reakcijo in/ali bolezní dihal); **nosite masko za prah in pri delu uporabljajte napravo za odsesavanje prahu, kjer je le-to možno priključiti**
- Nekatere vrste prahu so klasificirane kot kancerogene (kot npr. prah hrasta in bukke) še posebno bo sočasni uporabi z dodatki za obdelavo lesa; **nosite masko za prah in pri delu uporabljajte napravo za odsesavanje prahu, kjer je le-to možno priključiti**
- Upoštevajte nacionalne zahteve glede prahu za materiale katere želite obdelovati
- **Obdelovanec zavarujte in pritrdite s sponami ali drugo opremo** (če obdelovanec držite z rokami ali proti telesu, bo nestabilen in lahko izgubite nadzor nad orodjem)
- **Ne obdelujte materiala, ki vsebuje azbest** (azbest povzroča rakasta obolenja)
- **Za omejitve tveganja nenamernega vklopa orodja vtičem med premori ali pred čiščenjem, vzdrževanjem, nastavitvami in menjavanjem dodatkov vselej izvlcite iz napajalnika**
- Med delom čvrsto držite orodje z obema rokama in si zagotovite stabilno in varno pozicijo
- Kabel naj bo vedno odmaknjen od gibljivih delov stroja; usmerite ga proti zadnjemu delu, stran od stroja
- **Pri menjavanju priključkov nosite zaščitne rokavice** (stik s priključkom lahko povzroči poškodbo)
- Če pride do električnih ali mehanskih okvar, takoj izklopite stroj in izvlcite vtič iz vtičnice
- Če je priključni kabel poškodovan ali se med delom pretrga se ga ne dotikajte, temveč takoj potegnite električni vtič iz vtičnice
- Ne uporabljajte orodja, če je kabel poškodovan; zamenjati ga je treba s kablom, ki ga posebej pripravijo v servisnem centru za električna orodja SKIL, zamenja pa naj ga strokovnjak
- Ko orodje postavite vstran, izklopite motor in pazite, da se vsi premikajoči se deli orodja popolnoma zaustavijo

### MED ŽAGANJEM/REZANJEM

- **Električno orodje smete držati le na izoliranem ročaju, če delate na območju, kjer lahko vstavljeno orodje pride v stik s skritimi omrežnimi napeljavami ali lastni omrežni kabel** (stik z napeljavo, ki je pod napetostjo povzroči, da so posledično tudi kovinski deli orodje pod napetostjo in to vodi do električnega udara)
- **Ne segajte z rokami v področje rezanja;** med rezanjem nikoli ne segajte pod material
- **Za iskanje skritih električnih, plinskih in vodovodnih cevi uporabite primerne iskalne naprave (detektorje) ali se posvetujte z lokalnimi podjetji** (stik z električnimi vodniki lahko povzroči požar ali električni udar; poškodbe plinovoda lahko povzročijo eksplozijo, vdor v vodovodno omrežje pa materialno škodo ali električni udar)
- Ne uporabljajte poškodovanih, deformiranih ali topih žaginih listov

### MED BRUŠENJEM

- **Orodje uporabite izključno za suho brušenje** (vdor vode v orodje poveča tveganje za električni udar)
- Ne dotikajte se premikajoče se brusnega papirja
- Ne uporabljajte izrabljenih in raztrganih brusnih papirjev, ki so že močno grudasti
- Pri brušenju kovinskih delov se iskri; ne uporabljajte sesalnika z delovnega področja odstranite vnetljive



materiale in ne dovolite, da se področju dela približujejo druge osebe

## POJASNILO OZNAK NA ORODJU

- ③ To orodje omogoča uporabo običajne opreme za večnamenska orodja, vključno z obstoječo osnovno opremo za orodja OIS in Starlock
- ④ Pred uporabo preberite navodila za uporabo
- ⑤ Dvojna izolacija (ozemljitveni kabel ni potreben)
- ⑥ Orodja ne odstranjujte s hišnimi odpadki

## UPORABA

- Zamenjava dodatne opreme ⑦
  - ! **izključite vtičak**
  - odstranite/namestite zahtevan priključek, kot je prikazano na sliki
  - zagotovite, da odprtine priključka zaskočijo z jezički glave orodja (možni so vsi vpeti položaji)
  - priključek namestite z nepritrjenim središčem navzdol
  - vijak B zrahljajte/pričvrstite s ključem inbus A
  - **preverite pričvrščenost priključka** (neustrezno ali površno nameščeni priključki se lahko med delovanjem odklopijo in povzročijo nevarnost)
- Namestitev brusnega papirja ⑧
  - pred namestitvijo brusilnega lista izprašite material VELCRO na brusilni plošči C
  - namestite brusni papir VELCRO D, kot kaže slika
  - ! **za sesanje prahu potrebujete perforiran brusni papir**
  - ! **perforirani deli na brusnem papirju bi se morali ujemati s perforiranimi deli na brusni plošči**
  - ! **pravočasno zamenjajte brusne papirje**
  - ! **površina iz materiala VELCRO naj bo med vsako uporabo orodja prekrita z brusilnim papirjem**
- Odsesavanje prahu ⑨
  - ! **izključite vtičak**
  - napravo za odpraševanje E uporabite le, kadar delate z brusilno ploščo C
  - napravo za odpraševanje E namestite, kot je prikazano na sliki
  - priključite sesalnik
  - ! **naprave za odpraševanje / vakuumskega čistilnika ne uporabljajte med brušenjem kovine**
  - napravo za odpraševanje E redno čistite in tako zagotovite optimalno odpraševanje
- Vkllop/Izklop
  - Vklopite/izklopite orodje s premikom stikala F ② v položaj "I"/"O"
  - ! **preden pribor doseže obdelovanec naj orodje doseže polno hitrost**
  - ! **preden orodje izklopite, bi ga morali odmakniti od predmeta, ki ga obdelujete**
- Nastavljanje delovne hitrosti ⑩
  - s kolešcem G je mogoče zahtevano nihajno frekvenco nastaviti med nizko (1) in visoko (6) (tudi med delovanjem orodja)
  - najprimernejša delovna hitrost je odvisna od materiala in jo lahko določimo s praktičnim poskušanjem
- Dioda LED J ⑪
  - Dioda LED J se samodejno vklopi, ko vklopite stikalo F
- Držanje in vodenje orodja ⑫
  - ! **med delom vedno držite orodje za sivo obarvano mesto oprijema**
  - ventilacijske reže H morajo biti nepokrite

- ne pritiskajte premočno na orodje (premočan pritisk povzroči prekomerno segrevanje in lahko skrajša življenjsko dobo pripomočka)
- Pripomoček za nastavitev globine M (DEPTH STOP) (ni vključena v standardno opremo) ⑬

## UPORABNI NASVETI

- Za optimalne rezultate na različnih materialih glejte tabelo ⑬, ki naj vam služi kot referenca pri izbiri pravega dodatka (**dodatki običajno niso priloženi**)
- Za več nasvetov glejte pod [www.skil.com](http://www.skil.com)

## VZDRŽEVANJE/SERVISIRANJE

- Orodje ni namenjeno profesionalni uporabi
- Priključni kabel in orodje naj bosta vedno čista (posebej še prezačevalne odprtine H ②)
  - ! **izvlecite vtičak iz vtičnice pred čiščenjem**
- Če bi kljub skrbnim postopkom izdelave in preizkušanja prišlo do izpada delovanja orodja, naj popravilo opravi servisna delavnica, pooblaščen za popravila SKILevih električnih orodij
  - pošljite **nerazstavljeno** orodje skupaj s potrdilom o nakupu pri vašem prodajalcu v najbližjo SKIL servisno delavnico (naslovi, kot tudi spisek rezervnih delov se nahaja na [www.skil.com](http://www.skil.com))
- Zavedajte se, da garancija ne vključuje poškodb zaradi preobremenitve orodja ali nepravilne rabe (glede SKILovih garancijskih pogojev obiščite [www.skil.com](http://www.skil.com) ali povprašajte prodajalca)

## OKOLJE

- **Električnega orodja, pribora in embalaže ne odstranjujte s hišnimi odpadki** (samo za države EU)
  - v skladu z Evropsko direktivo 2012/19/EG o odpadni električni in elektronski opremi in z njenim izvajanjem v nacionalni zakonodaji je treba električna orodja ob koncu njihove življenjske dobe ločeno zbirati in jih predati v postopek okolju prijaznega recikliranja
  - ko je potrebno odstranjevanje, naj vas o načinu spomni simbol ⑥

## HRUP / VIBRACIJA

- Raven zvočnega tlaka tega orodja, ki je bila izmerjena v skladu s standardom EN 62841, je 86,5 dB(A), raven zvočne moči je 97,5 dB(A) (odstopanje K = 3 dB), skupne vrednosti vibracij \* (triosna vektorska vsota; odstopanje K = 1,5 m/s<sup>2</sup>)
  - \* med brušenjem 3.4 m/s<sup>2</sup>
- Raven oddajanja vibracij je bila izmerjena v skladu s standardiziranimi testi, navedenimi v EN 62841; uporabiti jo je mogoče za primerjavo različnih orodij med seboj in za predhodno primerjavo izpostavljenosti vibracijam pri uporabi orodja za namene, ki so omenjeni
  - uporaba orodja za drugačne namene ali uporaba skupaj z drugimi, slabo vzdrževanimi nastavki lahko znatno **poveča** raven izpostavljenosti
  - čas, ko je orodje izklopljeno ali ko teče, vendar z njim ne delamo, lahko znatno **zmanjša** raven izpostavljenosti
- ! **pred posledicami vibracij se zaščitite z vzdrževanjem orodja in pripadajočih nastavkov, ter tako, da so vaše roke tople, vaši delovni vzorci pa organizirani**

## Mitmeotstarbeline tööriist

1491

### SISSEJUHATUS

- See tööriist on mõeldud puust, plastist, ehituskipsist, metallist detailide ja pehmest materjalist seinapaneelide lõikamiseks ja väikeste pindade lihvimiseks ja kaabitsaga töötlemiseks
- Seade sobib eelkõige servalähedaseks ja pinnaga ühetasaseks lõikamiseks
- Tööriist pole mõeldud professionaalseks kasutamiseks
- Käesolev tööriist ühildub enamike saadaolevate mitmeotstarbeliste tarvikutega, sh olemasolevate OIS ja Starlock tarvikutega ③
- Palun lugege käesolev kasutusjuhend hoolikalt läbi ja hoidke alles ④

### TEHNILISED ANDMED ①

#### SEADME OSAD ②

- A Kuuskantvõtme
  - B Kruviklamber seibiga
  - C Lihvpaber
  - D Lihvpaber
  - E Tolmueemaldusseade
  - F Töölülit (sisse/välja)
  - G Kiiruse regulaator
  - H Ohutusavad
  - J LED-märgutuli
  - K Segmenttera \*
  - L Süvendite saetera
  - M Sügavuse reguleerimise tarvik \*
- \* EI KUULU STANDARDKOMPLEKTI

### OHUTUS

#### ÜLDISED OHUTUSNÕUDED ELEKTRILISTE TÖÖRIISTADE KASUTAMISEL

**⚠ HOIATUS** Lugege kõiki hoiatusi, juhiseid, kirjeldusi ja spetsifikatsioone, mis käivad tööriistaga kaasas. Kui kõiki allpool loetletud juhiseid ei õnnestu järgida, võite saada elektrilöögi, võib tekkida tulekahju ja/või saada raskelt vigastada.

**Hoidke kõik ohutusnõuded ja juhised edaspidiseks alles.**

Allpool kasutatud mõiste "elektriline tööriist" käib võrgutoetega (toitejuhtmega) elektriliste tööriistade ja akutoetega (ilma toitejuhtmata) elektriliste tööriistade kohta.

#### 1) OHUTUSNÕUDED TÖÖPIIRKONNAS

- a) **Hoidke töökoht puhas ja korras.** Segadus või valgustamata tööpiirkonnad võivad põhjustada õnnetusi.
- b) **Ärge kasutage seadet plahvatusohtlikus keskkonnas, kus leidub tuleohtlikke vedelikke, gaase või tolmu.** Elektrilistest tööriistadest lööb sädemeid, mis võivad tolmu või auru süüdata.

- c) **Kui kasutate elektrilist tööriista, hoidke lapsed ja teised isikud töökohast eemal.** Kui Teie tähelepanu kõrvale juhitakse, võib seade Teie kontrolli alt väljuda.
- #### 2) ELEKTRIOHUTUS
- a) **Seadme pistik peab pistikupessa sobima. Pistiku kallal ei tohi teha mingeid muudatusi. Ärge kasutage kaitsemaandusega seadmete puhul adapterpistikuid.** Muutmata pistikud ja sobivad pistikupesad vähendavad elektrilöögi saamise riski.
  - b) **Vältige kehakontakti maandatud pindadega, nagu torud, radiaatorid, pliivid ja külmikud.** Kui Teie keha on maandatud, on elektrilöögi risk suurem.
  - c) **Hoidke seadet vihma ja niiskuse eest.** Kui elektriseadmesse on sattunud vett, on elektrilöögi saamise risk suurem.
  - d) **Ärge kasutage toitejuhet selleks mitte ettenähtud otstarbel seadme kandmiseks, ülesriputamiseks ega pistiku pistikupesast väljatõmbamiseks. Hoidke toitejuhet kuumuse, õli, teravate servade ja seadme liikuvate osade eest.** Kahjustatud või keerduläinud toitejuhtmed suurendavad elektrilöögi saamise riski.
  - e) **Kui töötate elektrilise tööriistaga vabas õhus, kasutage ainult selliseid pikendusjuhtmeid, mida on lubatud kasutada ka välitingimustes.** Välitingimustes kasutamiseks sobiva pikendusjuhtme kasutamine vähendab elektrilöögi saamise riski.
  - f) **Kui elektrilise tööriista kasutamine niiskes keskkonnas on vältimatu, kasutage maandusega lekkevoolukaitset.** Maandusega lekkevoolukaitse kasutamine vähendab elektrilöögi ohtu.
- #### 3) INIMESTE TURVALISUS
- a) **Olge tähelepanelik, jälgige, mida Te teete, ning toimige elektrilise tööriistaga töötades mõistlikult. Ärge kasutage seadet, kui olete väsinud või uimastite, alkoholi või ravimite mõju all.** Hetkeline tähelepanematus seadme kasutamisel võib põhjustada tõsiseid vigastusi.
  - b) **Kandke isikukaitsevahendeid ja alati kaitseprille.** Isikukaitsevahendite, nagu tolumask, libisemiskindlad turvajalatsid, kaitsekiiver või kuulmiskaitsevahendid, kandmine – sõltuvalt elektrilise tööriista tüübist ja kasutusala – vähendab vigastuste riski.
  - c) **Vältige seadme tahtmatut käivitamist. Enne pistiku ühendamist pistikupessa, aku ühendamist seadme külge, seadme ülestõstmist ja kandmist veenduge, et elektriline tööriist on välja lülitatud.** Kui hoiate elektrilise tööriista kandmisel sõrme lülil või ühendate vooluvõrku sisselülitatud seadme, võivad tagajärjeks olla õnnetused.
  - d) **Enne seadme sisselülitamist eemaldage selle küljest reguleerimis- ja mutrivõtmed.** Seadme pöörleva osa küljes olev reguleerimis- või mutrivõti võib põhjustada vigastusi.
  - e) **Ärge hinnake end üle. Võtke stabiilne töösensid ja hoidke olukorda olemasoleva paremini kontrollida.** Nii saate seadet ootamatutes olukordades paremini kontrollida.
  - f) **Kandke sobivat rõivastust. Ärge kandke laiu riideid ega ehted. Hoidke juukseid ja rõivad seadme liikuvatest osadest eemal.** Lotendavad riided, ehted või pikad juukseid võivad sattuda seadme liikuvate osade vahele.
  - g) **Kui on võimalik paigaldada tolmueemaldus- ja tolmutõrjeseadmeid/seadmeid, veenduge,**

et need oleksid seadmega ühendatud ja et neid kasutataks õigesti. Tolmuemaldusseadise kasutamine vähendab tolmu põhjastatud ohte.

- h) **Ärge muutuge tööriista sagedasest kasutamisest hooletuks ja ärge eirake ohutusnõudeid.** Hooletus võib sekundi murdosa jooksul kaasa tuua raskeid vigastusi.
- 4) **ELEKTRILISTE TÖÖRIISTADE HOOLIKAS KÄSITSEMINE JA KASUTAMINE**
- a) **Ärge koormake seadet üle. Kasutage töö tegemiseks selleks ettenähtud elektrilist tööriista.** Sobiva elektrilise tööriistaga töötate paremini ja turvalisemalt ettenähtud võimsusvahemikus.
- b) **Ärge kasutage elektrilist tööriista, mille lüliti on rikkiis.** Elektriline tööriist, mida ei ole enam võimalik sisse ja välja lülitada, on ohtlik ning seda tuleb remontida.
- c) **Tõmmake pistik pistikupesast välja ja/või eemaldage seadmest aku, kui on eemaldatav, enne seadme reguleerimist, tarvikute vahetamist ja seadme ärapanekut.** See ettevaatusabinõu väldib seadme tahtmatut käivitamist.
- d) **Kasutusvälisel ajal hoidke elektrilisi tööriistu lastele kättesaamatult. Ärge laske seadet kasutada isikutel, kes seda ei tunne või pole siintoodud juhiseid lugenud.** Kogenematute kasutajate käes kujutavad elektrilised tööriistad ohtu.
- e) **Hoolitsege elektriliste tööriistade ja tarvikute eest korralikult. Kontrollige, kas seadme liikuvad osad funktsioneerivad korralikult ja ei kiildu kinni, ning ega mõned osad ei ole katki või sel määral kahjustatud, et võiksid mõjutada seadme töökindlust. Laske kahjustatud osad enne seadme kasutamist parandada.** Paljude õnnetuste põhjuseks on halvasti hooldatud elektrilised tööriistad.
- f) **Hoidke löiketarvikud teravad ja puhtad.** Hoolikalt hoitud, teravate lõikeservadega löiketarvikud kiilduvad harvemini kinni ja neid on lihtsam juhtida.
- g) **Kasutage elektrilist tööriista, lisavarustust, tarvikuid jne vastavalt siintoodud juhiste.** Arvestage seejuures töötingimuste ja teostatava töö iseloomuga. Elektriliste tööriistade kasutamine mitte ettenähtud otstarbel võib põhjustada ohtlikke olukordi.
- h) **Hoidke käepidemed ja haardepinnad kuiva ja puhtana ning vabana õlist ja määrdeainetest.** Libedad käepidemed ja haardepinnad ei luba tööriista ohutult käsitseda ja ootamatutes olukordades kontrolli all hoida.
- 5) **TEENINDUS**
- a) **Laske seadet parandada ainult kvalifitseeritud spetsialistidel ja ainult originaalvaruosadega.** Nii tagate seadme püsimise turvalisena.

## OHUTUSJUHISED MITMEOTSTARBELISTELE TÖÖRIISTADELE

### ÜLDIST

- Tööriista kasutaja peab olema vähemalt 16 aastat vana
- Pikendusjuhtmete kasutamisel jälgige, et juhe oleks lõpuni lahti keritud ja vastaks 16 A voolutugevusele
- Kontrollige alati, kas võrgupinge ühtib tööriista andesildil toodud pingega
- Vältige töödeldavas esemes olevatest kruvidest, naeltest vms põhjustatud kahjustusi; eemaldage need enne töö alustamist

- Värviga kaetud juhtmed, mõned puiduliigid, mineraalid ja metall eraldavad tolmu, mis võib olla kahjulik (kokkupuude tolmuuga või selle sissehingamine võib seadme kasutajal või läheduses viibivatel inimestel põhjustada allergilisi reaktsioone ja/või hingamisteede haigusi); **kandke tolmu maski ja vajaduse korral töötae külgeühendatava tolmuemaldusseadmega**
  - Teatud tüüpi tolmu on klassifitseeritud kantserogeensena (nt tammest ja kasest eralduv tolm), eriti koos puidu niiskuse reguleerimiseks kasutatavate lisanditega; **kandke tolmu maski ja vajaduse korral töötae külgeühendatava tolmuemaldusseadmega**
  - Erinevate materjalide töötlemisel tekkiva tolmu käitlemisel tuleb järgida kehtivaid nõudeid
  - **Kinnitage toorik klambriga või muul praktilisel moel kindlale stabiilsele alusele** (tööd käes hoides või vastu keha surudes võib see paigast liukuda)
  - **Asbestisaldava materjali töötlemine on keelatud** (asbest võib tekitada vähki)
  - **Ühendage alati seade toiteallikast lahti tööpauaside või puhastamise, hooldamise, reguleerimise ja tarvikute vahetamise ajal, et vähendada tööriista juhusliku käivitamise ohtu**
  - Hoidke seadet alati kindlalt kahe käega ja võtke stabiilne tööasend
  - Vältige toitejuhtme kokkupuutumist seadme pöörlevate osadega; hoidke toitejuhet alati tööriistast eemal, tagapool
  - **Kasutage kaitsekindaid, kui vahetate lisatarvikuid** (kokkupuude lisatarvikuga võib põhjustada vigastusi)
  - Seadme elektrilise või mehhaanilise häire korral lülitage seade viivitamatult välja ja eemaldage pistik vooluvõrgust
  - Kui toitejuhe saab töötamise ajal kahjustada või see lõigatakse läbi, ärge toitejuhet puutuge, vaid eemaldage koheselt pistik vooluvõrgust
  - Ärge kunagi kasutage tööriista, kui juhe on kahjustatud; See tuleb asendada spetsiaalselt ettevalmistatud juhtmega, mis on saadaval SKIL-i elektritööriistade müügiärgse teeninduskeskuse kaudu ja mis tuleb välja vahetada kvalifitseeritud isiku poolt
  - Enne tööriista juurest lahkimist lülitage see välja ning oodake, kuni selle liikuvad osad on täielikult seiskunud
- ### SAAGIMISEL/LÖIKAMISEL
- **Kui teostate töid, mille puhul võib tarvik tabada varjatud elektrijuhtmeid või seadme enda toitejuhet, hoidke seadet ainult isoleeritud käepidemetest** (kontakt pingele all oleva elektrijuhtmega võib pingestada seadme metallosad ja põhjustada elektrilöögi)
  - **Hoidke käed löikepiirkonnast eemal;** ärge pange sõrmi löikamise ajal kunagi materjali alla
  - **Varjatult paiknevate elektrijuhtmete, gaasi- või veetoru avastamiseks kasutage sobivaid otsimisvahendeid või pöörde kohaliku elektri-, gaasi- või vee-ettevõtte poole** (kokkupuutel elektrijuhtmetega tulekahju- ja elektrilöögioht; gaasitorustiku vigastamisel plahvatusoht; veetorustiku vigastamisel materiaalne kahju või elektrilöögioht)
  - Keelatud on kasutada rebenenud või nürisid, samuti deformeerunud saelehti
- ### LIHVIMISEL
- **Kasutage tööriista ainult kuivlihvimiseks** (vee pääsemine seadmesse suurendab elektrilöögi ohtu)
  - Vältige kokkupuudet liikuva lihvpaberiga
  - Ärge kasutage ülemäärast kulunud, rebenenud või muul viisil vigastatud lihvpabereid

- Metallide lihvimisel lendub sädemeid; ärge kasutage tolmuimejat ning jälgige, et läheduses ei oleks teisi inimesi ega tuleohtlikke materjale

## TÖÖRIISTAL OLEVATE SÜMBOLITE SELGITUS

- ③ Käesolev tööriist ühildub enamiku saadaolevate mitmeotstarbeliste tarvikute, sh olemasolevate OISI ja Starlocki põhitarvikutega
- ④ Enne kasutamist tutvuge kasutusjuhendiga
- ⑤ Topeltilotsatsioon (maandusjuhe pole vajalik)
- ⑥ Ärge visake kasutuskõlbatuks muutunud tööriista ära koos olmejäätmetega

## KASUTAMINE

- Tarviku vahetus ⑦
  - ! eemaldage seade vooluvõrgust
  - eemaldage/paigaldage soovitud lisatarviku nagu illustreeritud
  - veenduge, et lisatarviku avaused lukustuvad tööriista pea keeltesse (suvaline kinnitussasend võimalik)
  - paigaldage lisatarvik niimoodi, et selle mittevajutatud keskosa on allpool
  - vabastage/pinguldage kruvid B kuuskantvõtmega A
  - kontrollige lisatarviku fikseerumist (lisatarvikud, mis pole korralikult pinguldatud või on valesti paigaldatud, võivad tulla töötamisel lahti ja põhjustada vigastusohu)
- Lihvpaberi kinnitamine ⑧
  - lihvitala VELCRO-takjakinnitus tuleb enne lihvpaberi C paigaldamist puhtaks kloppida
  - paigaldage vastavalt joonisele VELCRO lihvpaber D
  - ! tolmueemaldamiseks vajate aukudega lihvpaberit
  - ! lihvpaberi augud peaksid lihvplaadi omadega ühtima
  - ! vahetage kulunud lihvpaber õigeaegselt välja
  - ! kasutage tööriista ainult siis, kui kogu lihvimispiind on lihvpaberiga kaetud
- Tolmu eemaldamine ⑨
  - ! eemaldage seade vooluvõrgust
  - kasutage tolmuemaldusseadet E vaid siis, kui töötate lihvpaberiga C
  - paigaldage tolmuemaldusseade E nagu illustreeritud
  - ühendage tolmuimejat
  - ! ärge kasutage tolmuemaldusseadet/tolmuimejat, kui lihvite metallist pindasid
  - puhastage tolmuemaldusseadet E regulaarselt, et tagada optimaalne tolmu eemaldamine
- Sisse/välja
  - Tööriista sisse-/väljalülitamiseks viige lüliti F ② asendisse "I"/"O"
  - ! enne tarviku kokkupuutumist töödeldava esemega peab seade olema saavutanud maksimaalsed pöörded
  - ! enne tööriista väljalülitamist tuleb see töödeldavalt esemelt eemaldada
- Töökiiruse reguleerimine ⑩
  - ketta kasutamisel G saab liikumissagedust muuta aeglasest (1) kiire (6) asendini (ka siis, kui tööriist töötab)
  - optimaalne töökiirus oleneb materjalist ja selle saab kindlaks määrata katsetamise teel
- LED-märgutuli J ⑪
  - LED-märgutuli J süttib lüliti F aktiveerimisel automaatselt

- Tööriista hoidmine ja juhtimine ⑫
  - ! töötamise ajal hoidke tööriista kinni korpuse ja käepideme halli värvi osadest
  - hoidke õhutusavad H kinnikatmata
  - ärge rakendage tööriista kasutades ülemäärast jõudu (liiga suur surve põhjustab kuumenemist ja võib lühendada tarviku tööiga)
- Sügavuse reguleerimise tarvik M (DEPTH STOP) (ei sisaldu standardvarustuses) ⑬

## TÖÖJUHISED

- Optimaalse tulemuse saavutamiseks erinevatel materjalidel kasutage viitena tabelit ⑭, et määrata õige tarvik (mittestandardset tarvikud pole komplektis)
- Rohkem nõuandeid leiate aadressil [www.skil.com](http://www.skil.com)

## HOOLDUS/TEENINDUS

- Tööriist pole mõeldud professionaalseks kasutamiseks
- Hoidke seade ja toitejuhe alati puhtad (eriti õhutusavad H ⑫)
- ! enne puhastamist eemaldage seade vooluvõrgust
- Tööriist on hoolikalt valmistatud ja testitud; kui tööriist sellest hoolimata rikki läheb, tuleb see lasta parandada SKILI elektriliste käsitööriistade volitatud remonditöökojas
  - toimetage lahtimonteerimata seade koos ostukviitungiga tarnijale või lähimasse SKILI lepingulisse töökotta (aadressid ja tööriista varuosade joonise leiate aadressil [www.skil.com](http://www.skil.com))
- Arvestage sellega, et garantii ei hõlma seadme ülekoormamisest või ebaõigest käsitsemisest tulenevaid kahjustusi (teavet SKILI garantiitingimuste kohta vaadake veebilehelt [www.skil.com](http://www.skil.com) või küsige kohalike müügiesindajalt)

## KESKKOND

- Ärge visake kasutuskõlmatuks muutunud elektrilisi tööriistu, lisatarvikuid ja pakendeid ära koos olmejäätmetega (üksnes EL liikmesriikidele)
  - vastavalt Euroopa Parlamendi ja nõukogu direktiivile 2012/19/EÜ elektri- ja elektroonikaseadmete jäätmete kohta ning direktiivi nõuete kohaldamisele liikmesriikides tuleb kasutuskõlmatuks muutunud elektrilised tööriistad koguda eraldi ja keskkonnasäästlikult korduvkasutada või ringlusse võtta
  - seda meenutab Teile sümbol ⑥

## MÜRA / VIBRATSIOON

- Standardiga EN 62841 kooskõlas mõõdetud tööriista helirõhu tase on 86,5 dB(A) ja helivõimsuse tase 97,5 dB(A) (määramatus K = 3 dB), ja vibratsioon
  - \* (ruumiliste vektorite summa; mootemääramatus K = 1,5 m/s<sup>2</sup>)
  - \* löikamisel 3,4 m/s<sup>2</sup>
- Tekkiva vibratsiooni tase on mõõdetud vastavalt standardis EN 62841 kirjeldatud standarditud testile; seda võib kasutada tööriistade võrdlemiseks ja tööriista kasutamisel ettenähtud töödeks esineva vibratsiooni esialgseks hindamiseks
  - tööriista kasutamisel muudeks rakendusteks või teiste/halvasti hooldatud tarvikute kasutamisel võib vibratsioon märkimisväärselt suurene da

- ajal, kui tööriist on väljalülitatud või on küll sisselülitatud, kuid tegelikult seda ei kasutata, võib vibratsioon märkimisväärselt **väheneda**!
- ! enda kaitsmiseks vibratsiooni eest hoolitage tööriista ja selle tarvikuid korralikult, hoidke oma käed soojad ja tagage sujuv töökorraldus**

LV

## Daudzfunkcionāls instruments 1491

### IEVADS

- Šis instruments ir paredzēts koka, plastmasas, ģipša, metāla un mikstu sienas flīžu zāģēšanai un griešanai, kā arī nelielu virsmu sausai slīpēšanai un apstrādei ar skrāpi
- Elektroinstruments ir īpaši noderīgs darbam malū un sienu tuvumā
- Šis darbarīks nav paredzēts profesionālai lietošanai
- Šis instruments var tikt izmantots ar pieejamajiem daudzfunkcionālo instrumentu piederumiem, ieskaitot esošos OIS un Starlock piederumus ③
- Izlasiet un saglabājiet šo pamācību ④

### TEHNISKIE PARAMETRI ①

### INSTRUMENTA ELEMENTI ②

- A Sešstūra stienšatslēga
  - B Nostiprināšana skrūve ar starplikū
  - C Slīpēšanas pamatne
  - D Slīpēšanas loksne
  - E Putekļu nosūcējs
  - F Ieslēgšanas/izslēgšanas slēdzis
  - G Ātruma regulators
  - H Ventilācijas atveres
  - J LED gaisma
  - K Segmentu zāģa asmens \*
  - L Iegremdēšanas tipa zāģa asmens
  - M Dziļjuma regulēšanas piederums \*
- \* NAV STANDARTA KOMPLEKTĀCIJĀ

### DROŠĪBA

#### VISPĀRĒJIE NOTEIKUMI ELEKTROINSTRUMENTU DROŠAI LIETOŠANAI

**! BRĪDINĀJUMS** Iepazīstieties ar visiem šī elektroinstrumenta drošas lietošanas noteikumiem, norādījumiem, attēliem un specifikācijām. Visu turpmāk sniegto norādījumu neizpildes rezultātā lietotājs var ciest no elektrošoka, var izvērsties ugunsnelaime un/vai rasties smagi ievainojumi.

#### Saglabājiet visus noteikumus un norādījumus turpmākai atsaucēi.

Noteikumos minētais termins "elektroinstruments" nozīmē ar strāvu darbināmu (ar vadu aprīkotu) vai ar akumulatoru darbināmu (bezvadu) elektroinstrumentu.

#### 1) DROŠĪBA DARBA VIETĀ

- a) **Seko jiet, lai darba vieta būtu tīra un sakārtota.** Nekārtīgā darba vietā vai sliktā apgaismojumā var viegli

notikt nelaimes gadījums.

- b) **Nelietojiet elektroinstrumentu eksplozīvu vai ugunsnedrošu vielu tuvumā un vietās ar paaugstinātu gāzes vai putekļu saturu gaisā.** Darba laikā instruments nedaudz dzirksteļo, un tas var izsaukt viegli degošu putekļu vai tvaiku aizdegšanos.
  - c) **Lietojot elektroinstrumentu, nelaujiet nepiederošām personām un jo īpaši bērniem tuvoties darba vietai.** Citu personu klātbūtne var novērst uzmanību, un tā rezultātā jūs varat zaudēt kontroli pār instrumentu.
- #### 2) ELEKTRODROŠĪBA
- a) **Elektroinstrumenta kontaktdakšai jābūt piemērotai elektrotīkla kontaktligzdai. Kontaktdakšas konstrukciju nedrīkst nekādā veidā mainīt. Nelietojiet kontaktdakšas salāgotājus, ja elektroinstruments caur kabeli tiek savienots ar aizsargzemējuma ķēdi.** Neizmainītas konstrukcijas kontaktdakšas, kas piemērota kontaktligzdai, ļauj samazināt elektriskā trieciena saņemšanas risku.
  - b) **Darba laikā nepieskarieties saņemtiem priekšmetiem, piemēram, caurulēm, radiatoriem, plītiem vai ledusskapjiem.** Pieskaroties saņemtiem virsmām, pieaug risks saņemt elektrisko triecienu.
  - c) **Nelietojiet elektroinstrumentu lietus laikā, neturiet to mitrumā.** Mitrumam iekļūstot instrumentā, pieaug risks saņemt elektrisko triecienu.
  - d) **Nenesiet un nepiekariet elektroinstrumentu aiz elektrokabeļa. Neraujiet aiz kabeļa, ja vēlaties atvienot instrumentu no elektrotīkla kontaktligzdas. Sargājiet elektrokabeļi no karstuma, eļļas, asām šķautnēm un instrumenta kustīgajām daļām.** Bojāts vai samezģlojies elektrokabeļis var būt par cēloni elektriskajam triecienam.
  - e) **Darbinot elektroinstrumentu ārpus telpām, izmantojiet tā pievienošanai vienīgi tādu pagarinātājkabeļus, kuru lietošana ārpus telpām ir atļauta.** Lietojot elektrokabeļi, kas piemērots darbam ārpus telpām, samazinās risks saņemt elektrisko triecienu.
  - f) **Ja elektroinstrumentu tomēr nepieciešams lietot vietās ar paaugstinātu mitrumu, izmantojiet tā pievienošanai noplūdes strāvas aizsargreleju.** Lietojot noplūdes strāvas aizsargreleju, samazinās risks saņemt elektrisko triecienu.
- #### 3) PERSONISKĀ DROŠĪBA
- a) **Darba laikā saglabājiet paškontroli un rīkojieties saskaņā ar veselo saprātu. Pārtrauciet darbu, ja jūtaties noguris vai atrodaties alkohola, narkotiku vai medikamentu izraisītā reibumā.** Strādājot ar elektroinstrumentu, pat viens neuzmanības mirklis var būt par cēloni nopietnam savainojumam.
  - b) **Izmantojiet individuālos darba aizsardzības līdzekļus un darba laikā vienmēr nēsājiet aizsargbrilles.** Individuālo darba aizsardzības līdzekļu (putekļu maskas, neslidošu apavu un aizsargķiveres vai ausu aizsargu) pielietošana atbilstoši elektroinstrumenta tipam un veicamā darba raksturam ļauj izvairīties no savainojumiem.
  - c) **Nepielaujiet elektroinstrumenta patvaļīgu ieslēgšanos. Pirms elektroinstrumenta pievienošanas elektrotīklam, akumulatora ievietošanas vai izņemšanas, kā arī pirms elektroinstrumenta pārņemšanas pārliecinieties, ka tas ir izslēgts.** Pārnesot elektroinstrumentu, ja

- pirksts atrodas uz ieslēdzēja, kā arī pievienojot to elektrobarošanas avotam laikā, kad elektroinstrumentis ir ieslēgts, var viegli notikt nelaimes gadījums.
- d) **Pirms instrumenta ieslēgšanas neaizmirstiet izņemt no tā regulējošos instrumentus vai skrūvjatslēgas.** Patronatslēga vai skrūvjatslēga, kas instrumenta ieslēgšanas brīdī nav izņemta no tā, var radīt savainojumu.
  - e) **Strādājot ar elektroinstrumentu, ieturiet stingru stāju. Darba laikā vienmēr saglabājiet līdzsvaru un centieties nepaslidēt.** Tas atvieglos instrumenta vadību neparedzētās situācijās.
  - f) **Izvēlieties darbam piemērotu apģērbu.** Darba laikā nenēsājiet brīvi plandošas drēbes un rotaslietas. Netuviniet garus matus un drēbes elektroinstrumenta kustīgajām daļām. Vaļiņas drēbes, rotaslietas un gari mati var iekerties instrumenta kustīgajās daļās.
  - g) **Ja elektroinstrumenta konstrukcija ļauj tam pievienot ārējo putekļu uzsūkšanas vai savākšanas/uzkrāšanas ierīci, sekojiet, lai tā tiktu pievienota elektroinstrumentam un pareizi darbotos.** Pielietojot putekļu uzsūkšanu vai savākšanu/uzkrāšanu, samazinās to kaitīgā ietekme uz strādājošās personas veselību.
  - h) **Nepalaujieties uz iemaņām, kas tiek iegūtas, bieži lietojot instrumentus, neieslēgtiet pašapmierinātībā un neignorējiet instrumenta drošas lietošanas principus.** Neuzmanīgas rīcības dēļ dažās sekundes daļās var gūt nopietnu savainojumu.
  - 4) **ELEKTROINSTRUMENTU LIETOŠANA UN APKOPE**
    - a) **Nepārslodojiet elektroinstrumentu.** Katram darbam izvēlieties piemērotu instrumentu. Elektroinstrumentus darbosies labāk un drošāk pie nominālās slodzes.
    - b) **Nelietojiet elektroinstrumentu, ja ir bojāts tā ieslēdzējs.** Elektroinstrumentus, ko nevar ieslēgt un izslēgt, ir bīstams lietošanai un to nepieciešams remontēt.
    - c) **Pirms elektroinstrumenta apkopes, regulēšanas vai darbinstrumenta nomainīšanas atvienojiet tā kontaktdakšu no barojošā elektrotīkla vai izņemiet no tā akumulatoru, ja tas ir izņemams.** Šādi iespējams samazināt elektroinstrumenta nejausības ieslēgšanas risku.
    - d) **Elektroinstrumentu, kas netiek darbināts, uzglabājiet piemērotā vietā, kur tas nav sasniedzams bērniem un personām, kuras neprot rīkoties ar instrumentu.** Ja elektroinstrumentu lieto nekompetentas personas, tas var apdraudēt cilvēku veselību.
    - e) **Savlaicīgi apkalpojiet elektroinstrumentus un to piederumus.** Pārbaudiet, vai kustīgās daļas darbojas bez traucējumiem un nav iespīlētas, vai kāda no daļām nav salauzta vai bojāta, vai katra no tām pareizi funkcionē un pilda tai paredzēto uzdevumu. Nodrošiniet, lai bojātās daļas tiktu savlaicīgi nomainītas vai remontētas pilnvarotā remontu darbnīcā. Daudzi nelaimes gadījumi notiek tāpēc, ka elektroinstrumentus pirms lietošanas nav pienācīgi apkalpot.
    - f) **Savlaicīgi notīriet un uzasiniet griezošos darbinstrumentus.** Rūpīgi kopti instrumenti, kas progādāti ar asiem griezejinstrumentiem, ļauj strādāt daudz ražīgāk un ir vieglāk vadāmi.

- g) **Lietojiet vienīgi tādus elektroinstrumentus, papildpiederumus, darbinstrumentus utt., kas paredzēti attiecīgajam pielietojuma veidam. Bez tam jāņem vērā arī konkrētie darba apstākļi un pielietojuma īpatnības.** Elektroinstrumentu lietošana citiem mērķiem, nekā to ir paredzējusi ražotājfirma, ir bīstama un var novest pie neparedzamām sekām.
- h) **Uzturiet elektroinstrumenta rokturus un noturvirsmas sausas un tīras, sargājiet tās no eļļas un smērvielām.** Slideni rokturi un noturvirsmas traucē efektīvi rīkoties ar elektroinstrumentu un to droši vadīt neparedzētās situācijās.
- 5) **APKALPOŠANA**
  - a) **Nodrošiniet, lai Instrumenta remontu veiktu kvalificēts personāls, nomaīnai izmantotajam oriģinālās rezerves daļas un piederumus.** Tikai tā iespējams panākt instrumenta ilgstošu un nevainojamu darbību bez atteikumiem.

## DROŠĪBAS INSTRUKCIJAS DAUDZFUNKCIONĀLAJIEM INSTRUMENTIEM

### VISPĀRĒJA INFORMĀCIJA

- Šo instrumentu nedrīkst izmantot personas, kas jaunākas par 16 gadiem
- Lietojiet pilnīgi atītus un drošus pagarinātājkabeļus, kas paredzēti 16 A strāvai
- Vienmēr pārļiecinieties, ka spriegums, kas uzrādīts uz instrumenta markējuma plāksnītes, atbilst padeves spriegumam elektrotīklā
- Izvaieties no instrumenta bojājumiem, ko var radīt apstrādājamajā priekšmetā esošās skrūves, naglas vai citi līdzīgi objekti; pirms darba uzsākšanas atbrīvojiet apstrādājamo materiālu no šādiem priekšmetiem
- Materiāla (piemēram, svīnu saturošas krāsas, dažu koka šķirņu, minerālu un metāla) putekļi var būt kaitīgi (saskare ar putekļiem vai to ieelpošana var izraisīt alerģiskas reakcijas un/vai elpošanas ceļu saslimšanas operatoram vai klātesošajiem); **izmantojiet putekļu masku un putekļsūcēju, ja to iespējams pievienot**
- Dažu veidu putekļi ir klasificēti kā kancerogēni (piemēram, ozola vai dižskābarža putekļi), jo īpaši apvienojumā ar koksnes kondicionēšanas piedevām; **izmantojiet putekļu masku un putekļsūcēju, ja to iespējams pievienot**
- Ievērojiet ar putekļu savākšanu saistītos nacionālos noteikumus, kas attiecas uz apstrādājamajiem materiāliem
- **Izmantojiet skavas vai citā drošā veidā nostipriniet un atbalstiet detaļu uz stabilas virsmas** (turot detaļu rokās vai pie kermeņa, tā var būt nestabila, un jūs varat zaudēt kontroli)
- **Neapstrādājiet materiālus, kas satur azbestu** (azbestam piemīt kancerogēnas īpašības)
- **Vienmēr atvienojiet kontaktspraudni no strāvas avota, kad instruments netiek izmantots, kā arī pirms tā tīrīšanas, apkopes, regulēšanas un piederumu nomainīšanas, lai samazinātu nejausības instrumenta iedarbināšanas risku**
- Vienmēr stingri turiet instrumentu ar abām rokām un nodrošiniet stabilu pamatu zem kājām
- Darba laikā sekojiet, lai elektrokabelis atrastos drošā attālumā no instrumenta kustīgajām daļām un stieptos prom no darba vietas virzienā uz aizmuguri
- **Veicot piederumu nomainīšanu, izmantojiet**

**aizsargcimdus** (saskarsmē ar piederumiem var rasties traumas)

- Elektriska vai mehāniska rakstura kļūmes gadījumā nekavējoties izslēdziet instrumentu un atvienojiet kabēja kontaktdakšu no elektrotīkla
- Ja darba laikā tiek pārgriezti vai citādi mehāniski bojāts instrumenta elektrokabelis, nepieskarieties tam, bet nekavējoties atvienojiet elektrokabēja kontaktdakšu no barojošā elektrotīkla
- Neizmantojiet instrumentu, kuram ir bojāts elektrokabelis; tā nomaīņu pret atbilstošu elektrokabēli drīkst veikt tikai pieredzējis speciālists SKIL pilnvarotā elektroinstrumentu remonta darbnīcā
- Pirms instrumenta novietošanas izslēdziet tā elektrodzinēju un nogaidiet, līdz ir pilnīgi apstājušās visas instrumenta kustīgās daļas

## ZĀĢĒŠANAS/GRIEŠANAS LAIKĀ

- **Veicot darbu, kura laikā darbinstruments var skart slēptus elektriskos vadus vai paša instrumenta elektrokabēli, turiet instrumentu tikai aiz izolētajām virsmām** (darbinstrumentam skart spriegumnesošos vadus, spriegums nonāk arī uz instrumenta metāla daļām un var būt par cēloni elektriskajam triecienam)
- **Netuviniet rokas griešanas vietai;** griežot materiālu, nekādā gadījumā nedrīkst zem tā sniegties
- **Ar piemērota metālmeklētāja palīdzību pārbaudiet, vai apstrādes vietu nešķērso slēptas elektropārvades līnijas, kā arī gāzes vai ūdens caurules; šādu gadījumā griezieties vietējā komunālās saimniecības iestādē** (darbinstrumentam skart elektrotīkla fāzes līniju, var izcelties ugunsgrēks un strādājošais var saņemt elektrisko triecienu; gāzes vada bojājums var izraisīt sprādzieni; darbinstrumentam skart ūdensvada cauruli, var tikt bojātas materiālās vērtības un strādājošais var saņemt elektrisko triecienu)
- Neizmantojiet iekļausēju, deformētus vai neasus zāģa asmeņus

## SLĪPĒŠANAS LAIKĀ

- **Lietojiet šo instrumentu tikai sausajai slīpēšanai** (ūdeņim iekļūstot instrumenta iekšienē, palielinās elektrošoka briesmu risks)
- Nepieskarieties kustīgajai slīpēšanas loksnei
- Nelietojiet nolietotas, deformētas vai stipri piesārņotas slīpēšanas loksnes
- Slīpējot metālu, veidojas dzirksteles; šādā gadījumā neizmantojiet putekļsūcēju un sekojiet, lai darba vietas tuvumā neatrastos citas personas vai ugunsnedroši materiāli

## UZ INSTRUMENTA ATTĒLOTO SIMBOLU SKAIDROJUMS

- ③ Šis instruments var tikt izmantots ar visbiežāk pieejamajiem daudzfunkcionālo instrumentu piederumiem, ieskaitot esošos DIS un Starlock pamata piederumus
- ④ Pirms izstrādājuma lietošanas izlasiet tā lietošanas pamācību
- ⑤ Divkārsa izolācija (nav jālieto zemējuma vads)
- ⑥ Neizmēriet nolietoto instrumentu sadzīves atkritumu tvertnē

## DARBS

- Darbinstrumentu nomaīņa ⑦  
**! atvienojiet instrumentu no elektrotīkla**  
- noņemiet/uzstādiat nepieciešamo piederumu, kā tas parādīts zīmējumā  
- pārliecinieties, ka uz piederuma esošās atveres

atrodas pretī uz instrumenta galvas esošajiem izcilņiem (iespējama jebkura fiksācijas pozīcija)

- uzstādiat piederumu ar tā saspiesto centru virzienā uz leju
- atskrūvējiet/pivelciat skrūvi B ar sešstūra stieņatslēgu A
- **pārliecinieties, ka piederums ir cieši nostiprināts** (nepareizi vai neprecīzi nostiprināts piederums lietošanas laikā var kļūt vaļīgs un nodarīt kaitējumu)
- Slīpēšanas loksnes nostiprināšana ⑧
  - pirms slīpēšanas loksnes notīrīšanas attīriet C slīpēšanas pamatnes ar VELCRO materiālu pārklāto virsmu
  - nostipriniet VELCRO tipa (pašnoturošas) slīpēšanas loksnes D, kā parādīts attēlā
  - ! ja vēlaties pielietot putekļu uzsūkšanu, lietojiet perforētas slīpēšanas loksnes**
  - ! atvērumiem slīpēšanas loksne jāsakrīt ar atvērumiem slīpēšanas pamatnē**
  - ! savlaicīgi nomainiet nolietotās slīpēšanas loksnes**
  - ! strādājiet ar instrumentu vienīgi tad, ja visa VELCRO pamatne ir nosepta ar slīpēšanas loksni**
- Putekļu uzsūkšana ⑨
  - ! **atvienojiet instrumentu no elektrotīkla**  
- izmantojiet putekļu nosūcēju E tikai tad, kad strādājat ar slīpēšanas pamatni C
  - uzstādiat putekļu nosūcēju E, kā tas parādīts zīmējumā - pievienojiet putekļsūcēju
  - ! nelietojiet putekļu nosūcēju/putekļsūcēju, slīpējot metālu**
  - lai darba laikā nodrošinātu optimālu putekļu savākšanu E, regulāri tīriet putekļu nosūcēju
- Ieslēgšana/izslēgšana
  - Lai ieslēgtu/izslēgtu instrumentu, nospiediet ieslēdzēju F ② stāvoklī "I"/"O"
  - ! kontaktējiet darbinstrumentu ar apstrādājamo materiālu tikai pēc tam, kad instrumenta ātrums ir sasniedzis nominālo vērtību**
  - ! pirms instrumenta izslēgšanas paceliet to no apstrādājamā priekšmeta virsmas**
- Darba ātruma regulēšana ⑩
  - ar ritenīti G nepieciešamo svārstveida kustības frekvenci var mainīt no zemas (1) līdz augstai (6) (arī instrumenta darbības laikā)
  - optimālais darba ātrums ir atkarīgs no materiāla, un to var noteikt, izmēģinot praksē
- Gaismas indikators J ⑪
  - LED gaisma J automātiski ieslēdzas, kad tiek aktivizēts slēdzis F
- Instrumenta turēšana un vadīšana ⑫
  - ! darba laikā vienmēr turiet instrumentu aiz pelēkās krāsas noturvirsmas(ām)**
  - nenosprostojiet instrumenta ventilācijas atveres H
  - nepielietojiet pārāk lielu spiedienu pret instrumentu (pārmerīgs spiediens izraisīs pārlieku uzkaršanu un var samazināt piederuma kalpošanas mūžu)
- Dziļuma regulēšanas piederums M (DEPTH STOP) (neietilpst standartā piegādes komplektā) ⑬

## PRAKTISKI PADOMI

- Lai sasniegtu optimālus rezultātus uz dažādām virsmām, skatiet tabulu, ⑭ lai izvēlētos atbilstošu piederumu (piederumi nav iekļauti standartaprīkojumā)
- Papildu ieteikumi ir sniegti datortīkla vietnē [www.skil.com](http://www.skil.com)

## APKALPOŠANA / APKOPE

- Šis darbariškis nav paredzēts profesionālai lietošanai
- Uzturiet tīru instrumentu un elektrokabeli (īpaši ventilācijas atveres H ②)
- ! **pirms instrumenta tīrīšanas atvienojiet to no elektrotīkla**
- Ja, neraugoties uz augsto izgatavošanas kvalitāti un rūpīgo pērcražošanas pārbaudi, instruments tomēr sabojājas, tas jānogādā remontam firmas SKIL pilnvarotā elektroinstrumentu remonta darbnīcā
  - nogādājiet instrumentu **neizjauktā veidā** kopā ar iegādes dokumentiem tuvākajā tirdzniecības vietā vai firmas SKIL pilnvarotā pēciegādes apkalpošanas un remonta iestādē (adreses un instrumenta apkalpošanas shēma ir sniegta interneta vietnē [www.skil.com](http://www.skil.com))
- Ievērojiet, ka garantijā neietilpst pārslodzes vai nepareizas instrumenta ekspluatācijas izraisītie bojājumi (SKIL garantijas noteikumus skatiet [www.skil.com](http://www.skil.com) vai vērsieties pie izplatītāja)

## APKĀRTĒJĀS VIDES AIZSARDZĪBA

- **Neizmetiet elektroiekārtas, piederumus un iesaiņojuma materiālus sadzīves atkritumos** (tikai ES valstīm)
  - saskaņā ar Eiropas Savienības direktīvu 2012/19/ES par nolietotajām elektriskajām un elektroniskajām iekārtām un tās atspoguļojumiem nacionālajā likumdošanā, nolietotās elektroiekārtas ir jāsavāc, jāizjauca un jānogādā otrreizējai pārstrādei apkārtējai videi nekaitīgā veidā
  - īpašs simbols ⑥ atgādina par nepieciešamību izstrādājumus utilizēt videi nekaitīgā veidā

## TROKSNIS / VIBRĀCIJA

- Veicot mērījumus atbilstoši EN 62841, šī instrumenta akustiskā spiediena līmenis ir 86,5 dB(A), akustiskās jaudas līmenis ir 97,5 dB(A) (nenoteiktība K = 3 dB), bet vibrācija \* (triaksiālā vektora summa; nenoteiktība K = 1.5 m/s<sup>2</sup>)
  - \* griešajot 3.4 m/s<sup>2</sup>
- Vibrācijas līmenis ir noteikts, izmantojot standartā EN 62841 paredzēto procedūru; to var izmantot, lai salīdzinātu instrumentus un provizoriski izvērtētu vibrācijas iedarbību, lietojot instrumentu minētajiem mērķiem
  - instrumenta izmantošana citiem mērķiem vai ar citiem vai nepietiekami koptiem piederumiem var ievērojami palielināt kopējo vibrācijas iedarbības pakāpi
  - laika periodi, kad instruments ir izslēgts vai arī ir ieslēgts, taču darbs ar to nenotiek, var ievērojami samazināt kopējo vibrācijas iedarbības pakāpi
- ! **pasargājiet sevi no vibrācijas iedarbības, veicot instrumenta un tā piederumu tehnisko apkopi, novērsot roku atdzišanu un pareizi organizējot darbu**

LT

## Universalusis ģrankis

1491

### IĻVADAS

- Šis ģrankis skirtas medienos, plastiko, gipso, metalo ir minkstū sienų plytelių pjaustymui ir gręžimui ir nedidelių plotų sausajam šlifavimui ir grandymui
- Jis ypač tinka darbams arti krašto ir kliūtīs
- Šis ģrankis neskirtas profesionaliam naudojimui
- Šis ģrankis gali būti naudojamas su dauguma įprastinių priedų, įskaitant bendrovės OIS ir Starlock teikiamus priedus ③
- Perskaitykite ir išsaugokite šią naudojimo instrukciją ④

### TECHNINIAI DUOMENYS ①

### PRIETAISO ELEMENTAI ②

- A Šešiabriaunis raktas
- B Fiksatoriaus varžtas su poveržle
- C Šlifavimo padas
- D Šlifavimo popierius
- E Dulkių ištraukiklis
- F Įjungimo/išjungimo jungiklis
- G Greičio pasirinkimo ratukas
- H Ventiliacinės angos
- J Šviesos diodas
- K Segmentinis pjūklelis \*
- L Smeigiamasis pjūklelis
- M Gylio regulavimo priedas \*

\* NĒRA STANDARTINIAME KOMPLEKTE

### SAUGA

#### BENDRIEJI ELEKTRINIŲ ĮRANKIŲ SAUGOS ĮSPĖJIMAI

**⚠ ĮSPĖJIMAS Perskaitykite visus su šiuo elektriniu prietaisu pateiktus saugos perspėjimus, instrukcijas, paveikslėlius ir specifikacijas.** Nepaisant toliau pateiktų instrukcijų galite patirti elektros smūgį, įvykti gaisras ir / ar patirti rimtų sužalojimų.

#### Išsaugokite visus įspėjimus ir instrukcijas ateičiai.

Terminas „elektros ģrankis“ įspėjimuose reiškia jūsų iš elektros tinklo (laidais) maitinamus ģrankius arba elektros ģrankius, veikiančius nuo baterijų (belaiddžius).

#### 1) DARBO VIETOS SAUGUMAS

- a) **Darbo vieta turi būti švari ir tvarkinga.** Netvarka ar blogai apšviesta darbo vieta gali tapti nelaimingų atsitikimų priežastimi.
- b) **Nedirbkite tokiyoje aplinkojo, kur yra degių skysčių, dujų ar dulkių.** Elektriniai ģrankiai gali kibirkščiuoti, o nuo kibirkščių dulkės arba susikaupe garai gali užsidegti.
- c) **Dirbdami su elektriniu ģrankiu neleiskite šalia būti žiūrovams, vaikams ir lankytojams.** Nukreipę dėmesį į kitus asmenis galite nebesuvaldyti prietaiso.

#### 2) ELEKTROSAUGA

- a) **Maitinimo laido kištukas turi atitikti tinklo rozetės tipą.** Kištuko jokiu būdu negalima modifikuoti.



- Nenaudokite jokių kištuko adapterių su žemintais prietaisais.** Originalūs kištukai, tiksliai tinkantys elektros tinklo rozetei, sumažina elektros smūgio pavojų.
- b) **Venkite kūno kontakto su žemintais paviršiais, tokiais kaip vamzdžiai, šildytuvai, viryklės ar šaldytuvai.** Egzistuoja padidinta elektros smūgio rizika, jei Jūsų kūnas bus žemintas.
  - c) **Saugokite prietaisą nuo lietaus ir drėgmės.** Jei vanduo patenka į elektrinį prietaisą, padidėja elektros smūgio rizika.
  - d) **Nenaudokite maitinimo laido ne pagal paskirtį, t. y. neneškite prietaiso paėmę už laido, nekabinkite prietaiso už laido, netraukite už jo, norėdami išjungti kištuką iš rozetės. Laidą klokite taip, kad jo neveiktų karštis, jis neišsitemptų alyva ir jo nepažeistų aštrios detalės ar judančios prietaiso dalys.** Pažeisti arba susipynę laidai gali tapti elektros smūgio priežastimi.
  - e) **Jei su elektriniu įrankiu dirbate lauke, naudokite tik tokius ilginimo kabelius, kurie tinka lauko darbams.** Naudojant lauko darbams pritaikytus ilginimo kabelius, sumažinamas elektros smūgio pavojus.
  - f) **Jei su elektriniu įrankiu neišvengiamai reikia dirbti drėgnoje aplinkoje, naudokite žeminimo grandinės pertraukiklį.** Naudojant žeminimo grandinės pertraukiklį, sumažėja elektros smūgio pavojus.
- ### 3) ŽMONIŲ SAUGA
- a) **Būkite atidūs, sutelkite dėmesį į tai, ką Jūs darote ir, dirbdami su elektriniu įrankiu, vadovaukitės sveiku protu. Nedirbkite su prietaisais, jei esate pavargę arba vartojote narkotikus, alkoholį ar medikamentus.** Akimirksniu neatidamas naudojant prietaisą gali tapti rimtų sužalojimų priežastimi.
  - b) **Naudokite asmenines apsaugos priemones ir visuomet užsidėkite apsauginius akinius.** Naudojant asmenines apsaugos priemones, pvz., respiratorių ar apsauginę kaukę, neslystančius batus, apsauginį šalną, klausos apsaugos priemones ir kt., rekomenduojamas dirbant su tam tikros rūšies įrankiais, sumažėja rizika susižeisti.
  - c) **Saugokitės, kad neįjungtumėte prietaiso atsitiktinai. Prieš prijungdami elektrinį įrankį prie elektros tinklo ir/arba akumulatoriaus, prieš pakeldami ar nešdami įsitikinkite, kad jis yra išjungtas.** Jeigu nešdami elektrinį įrankį pirštą laikysite ant jungiklio arba prietaisą įjungsite į elektros tinklą, kai jungiklis yra įjungtas, gali įvykti nelaimingas atsitikimas.
  - d) **Prieš įjungdami prietaisą pašalinkite reguliavimo įrankius arba veržlių raktus.** Prietaiso besisukančioje dalyje esantis įrankis ar raktas gali tapti sužalojimų priežastimi.
  - e) **Nepervertinkite savo galimybių. Dirbdami atsistokite patikimai ir visada išlaikykite pusiausvyrą.** Patikima stovėseną ir tinkamą kūno laikyseną leis geriau kontroliuoti prietaisą netikėtose situacijose.
  - f) **Dėvėkite tinkamą aprangą. Nedėvėkite plaučių drabužių ir papuošalų. Saugokite plaukus ir drabužius nuo besisukančių elektrinio įrankio dalių.** Laisvus drabužius, papuošalus bei ilgus plaukus gali įtraukti besisukančios dalys.
  - g) **Jei yra numatyta galimybė prijungti dulkių nusiurbimo ar surinkimo įrenginius, visada įsitikinkite, ar jie yra prijungti ir ar teisingai naudojami.** Naudojant dulkių nusiurbimo įrenginius sumažėja kenksmingas dulkių poveikis.
- h) **Dažnai naudodami įrankį ir gerai su juo susipažinę pernelyg neatsipalaiduokite ir nepradėkite nepaisyti įrankio saugos principų.** Neatidus veiksmas gali sukelti sunkią traumą per sekundės dalį.
- ### 4) RŪPESTINGA ELEKTRINIŲ ĮRANKIŲ PRIEŽIŪRA IR NAUDOJIMAS
- a) **Neperkraukite prietaiso. Naudokite Jūsų darbui tinkamą elektrinį įrankį.** Su tinkamu elektriniu įrankiu Jūs dirbsite geriau ir saugiau, jei neviršysite nurodyto galingumo.
  - b) **Nenaudokite elektrinio įrankio su sugedusiu jungikliu.** Elektrinis įrankis, kurio nebegalima įjungti ar išjungti, yra pavojingas ir jį reikia remontuoti.
  - c) **Prieš reguliuojami prietaisą, keisdami darbo įrankius ar prieš valydami prietaisą, iš elektros tinklo lizdo ištraukite kištuką ir/arba išimkite akumuliatorių, jeigu jis išimamas.** Ši saugumo priemonė apsaugos jus nuo netikėto prietaiso įsijungimo.
  - d) **Nenaudojamą prietaisą sandėliuokite vaikams ir nemokantiems juo naudotis asmenims neprieinamoje vietoje.** Elektriniai įrankiai yra pavojingi, kai juos naudoja nepatyrę asmenys.
  - e) **Priziūrėkite elektrinį įrankį ir priedus. Tikrinkite, ar besisukančios prietaiso dalys tinkamai veikia ir niekur neklūva, ar nėra sulūžusių ar šiaip pažeistų dalių, kurios įtakotų prietaiso veikimą.** Prieš vėl naudojant prietaisą pažeistos prietaiso dalys turi būti suremontuotos. Daugelio nelaimingų atsitikimų priežastis yra blogai priziūrimi elektriniai įrankiai.
  - f) **Pjovimo įrankiai turi būti aštrūs ir švarūs.** Rūpestingai priziūrėti pjovimo įrankiai su aštriomis pjaujamosiomis briaunomis mažiau stringa ir juos yra lengviau valdyti.
  - g) **Elektrinį įrankį, papildoma įrangą, darbo įrankius ir t. t. naudokite taip, kaip nurodyta šioje instrukcijoje. Taip pat atsižvelkite į darbo sąlygas bei atliekamo darbo pobūdį.** Naudojant elektrinius įrankius ne pagal jų paskirtį galima sukelti pavojingas situacijas.
  - h) **Rankenos ir suėmimo paviršiai turi būti sausi, švarūs, ant jų neturi būti alyvos ir tepalų.** Dėl slidžių rankenų ir suėmimo paviršių negalėsite saugiai išlaikyti ir suvaldyti įrankio netikėtose situacijose.
- ### 5) APTARNAVIMAS
- a) **Prietaisą turi remontuoti tik kvalifikuotas specialistas ir naudoti tik originalius atsargines dalis.** Taip galima garantuoti, jog prietaisas išliks saugus.

## SAUGOS NUORODOS DIRBANTIEMS UNIVERSALIAISIAIS ĮRANKIAIS

### BENDROJI DALIS

- Šį prietaisą turėtų naudoti tik asmenys, kuriems 16 ir daugiau metų
- Naudodami ilginamuosius kabelius atkreipkite dėmesį į tai, kad kabelis būtų iki galo išvyniotas ir būtų pritaikytas 16 A elektros srovei
- Visada patikrinkite, ar elektros tinklo įtampa sutampa su įtampos dydžiu, nurodytu prietaiso vardinėje lentelėje
- Saugokite, kad nepažeistumėte prietaiso į ruošinyje esančius varžtus, vinius ir pan; prieš pradėdami darbą juos pašalinkite
- Kai kurių medžiagų, kaip antai dažų, kurių sudėtyje yra švino, kai kurių medžių rūšių medienos, mineralų ir metalo dulksė gali būti kenksmingos (kontaktas su šiomis

dulkėmis arba įkvėptos dulksės gali sukelti operatorių arba šalia esantiems žmonėms alergines reakcijas ir/arba kvėpavimo sistemos susirgimus); **mūvėkite priešdulkinę puskaukę arba dirbdami naudokite dulkių ištraukimo įrenginį, jei jį galima prijungti**

- Kai kurių rūšių dulksės priskiriamos kancerogeninėms (pvz., ažuolo arba buko medienos dulksės), ypač susimaišiusios su medienos taurinimi naudojamais priedais; **mūvėkite priešdulkinę puskaukę arba dirbdami naudokite dulkių ištraukimo įrenginį, jei jį galima prijungti**
- Vadovaukitės Jūsų šalyje taikomų direktyvų reikalavimais, skirtais medžiagoms, su kuriomis norite dirbti
- **Dirbinį prie stabilaus pagrindo pritvirtinkite spaustuvais ar kitomis tinkamomis priemonėmis** (rankoje laikomas ar į kūną atremtas dirbiny su nestabilus ir galite nesuvaldyti jo arba įrankio)
- **Draudžiama apdirbti medžiagas, kurių sudėtyje yra asbesto** (asbestos pasižymi vėžį sukeliančiu poveikiu)
- **Pertraukų metu arba prieš valydami, atlikdami priežiūrą, reguliuodami ir keisdami priedus būtina išjunkite prietaiso maitinimo laidą iš elektros tinklo, kad prietaisais nebūtų netyčia įjungtas**
- Darbo metu visada tvirtai laikykite prietaisą abiem rankom bei patikimai stovėkite
- Pasirūpinkite, kad maitinimo kabelis nebūtų arti besisukančių prietaiso dalių; klokite jį kuo toliau už prietaiso
- **Keisdami priedus mūvėkite apsaugines pirštines** (palietę priedą galite susižeisti)
- Atsiradus mechaninio ar elektrinio pobūdžio trukdžiams, tuojau pat išjunkite prietaisą ir ištraukite kištuką iš elektros tinklo lizdo
- Jei dirbant bus pažeistas ar nutrauktas kabelis, būtina noliečiant kabelio tuojau pat ištraukti kištuką iš elektros tinklo lizdo
- Niekada nenaudokite įrankio su pažeistu laidu; jį specialiai paruoštu laidu, kuris priemamas SKIL elektrinių įrankių remonto dirbtuvėse, turi pakeisti kvalifikuotas specialistas
- Prieš padėdami prietaisą jį išjunkite ir palaukite, kol visos besisukančios jo dalys visiškai sustos

#### **PJOVIMO TAISYKLĖS**

- **Jei atliekate darbus, kurių metu darbo įrankis gali kliudyti paslėptus elektros laidus arba paties elektrinio įrankio maitinimo laidą, tai elektrinį įrankį laikykite už izoliuotų rankenų** (palietus laidą, kuriuo teka elektros srovė, metalinėse elektrinio įrankio dalyse gali atsirasti įtampa ir trenkti elektros smūgis)
- **Nekiškite rankų prie pjoavimo vietos**; kirpdami niekada, jokiais sumetimais nekiškite rankų po medžiaga
- **Naudodami tam skirtus paeiškos prietaisus, patikrinkite, ar gręžimo vietoje nėra paslėptų komunalinių tinklų vamzdynų, arba pasikvieskite į pagalbą vietinius komunalinių paslaugų tiekėjus** (kontaktas su elektros laidais gali sukelti gaisro bei elektros smūgio pavojų; pažeidus dujotiekio vamzdį, gali įvykti sprogimas; pažeidus vandentiekio vamzdį, galima pridaryti daugybę nuostolių bei sukelti elektros smūgio pavojų)
- Nenaudokite įtrūkusių, sulenktų ar atšipusių pjūklėlių

#### **ŠLIFAVIMO TAISYKLĖS**

- **Įrankį naudokite tik sausajam šlifavimui** (į įrankio vidų patekus vandens padidėja elektros smūgio pavojus)
- Nelieskite rankomis švytuojančio šlifavimo popieriaus lapelio

- Draudžiama naudoti nusidėvėjusius, įplyšusius ar labai užterštus šlifavimo popieriaus lapelius
- Šlifuojant metalą kyla kibirkštys; nenaudokite dulkių siurblio ir pasirūpinkite, kad Jums dirbant aplink nebūtų kitų asmenų, kuriuos galėtų sužeisti lekiančios kibirkštys, o taip pat - degių medžiagų

#### **ANT PRIETAISO ESANČIŲ SIMBOLIŲ REIKŠMĖS**

- ③ Šis įrankis gali būti naudojamas su dauguma įprastų priedų, įskaitant bendrovės OIS ir Starlock teikiamus priedus
- ④ Prieš naudodami įrankį perskaitykite instrukcijų vadovą
- ⑤ Dviguba izoliacija (įžeminimo laido nereikia)
- ⑥ Nemeskite prietaisais į buitinių atliekų konteinerius

#### **NAUDOJIMAS**

- Papildomos įrangos keitimas ⑦
- **! ištraukite kištuką iš elektros lizdo**
  - reikiamą priedą nuimkite ir uždėkite, kaip vaizduojama iliustracijose
  - pasirūpinkite, kad priedo angos būtų sutapdintos su įrankio galvutės iškyšomis (priedą galima užfiksuoti įvairiai pasuktą)
  - priedą dėkite taip, kad įspauda jo viduryje būtų nukreipta žemyn
  - varžtą B atleiskite arba priveržkite šešiakampiu veržliarakčiu A
  - **tikrinkite, ar priedas patikimai uždėtas** (netinkamai ar nepatikimai įtvirtinti priedai dirbant gali atspalaiduoti ir būti pavojingi)
- Šlifavimo popieriaus pritvirtinimas ⑧
  - prieš uždėdami šlifavimo popierių iškratykite šlifavimo pado kibaus sujungimo audinį (VELCRO) C
  - uždėkite VELCRO (kibus sujungimas) šlifavimo popieriaus lapelį D, kaip parodyta paveikslėlyje
  - **! norint, kad dulksės būtų nusiurbiamos, reikia naudoti skylėtą šlifavimo popieriaus lapelį**
  - **! šlifavimo popieriaus skylės turi sutapti su skylėmis šlifavimo plokštėje**
  - **! laiku pakeiskite nusidėvėjusį šlifavimo popieriaus lapelį**
  - **! įrankį leidžiama naudoti tik tuomet, kai šlifavimo popierius uždengia visą VELCRO medžiaga padengtą paviršių**
- Dulkių nusiurbimas ⑨
  - **! ištraukite kištuką iš elektros lizdo**
  - naudokite dulkių ištraukimo įrenginį E tik tuomet, kai dirbate su šlifavimo padu C
  - dulkių ištraukiklį E sumontuokite taip, kaip parodyta paveikslėlyje,
  - prijunkite dulkių siurbli
  - **! nenaudokite dulkių ištraukiklio arba dulkių siurblio šlifudami metalą,**
  - reguliariai ištuštinant dulkių ištraukiklį E užtikrinamas optimalus dulkių nusiurbimas
- Įjungimas/išjungimas
  - Prietaisas yra įjungiamas/išjungiamas perstatant jungiklį F ② į padėtį "I"/"O"
  - **! prieš glauddami įrankį prie ruošinio palaukite, kol prietaisais visiškai įsibėgės**
  - **! prieš išjungdami prietaisą atitraukite jį nuo ruošinio**
- Darbo greičio reguliavimas ⑩
  - ratuku G galima nustatyti reikiamą vibracijos dažnį

- nuo mažo (1) iki didelio (6) (reguluoti galima ir įrankiu veikiant)
- optimalus darbo greitis priklauso nuo medžiagos ir gali būti nustatytas praktiniais bandymais
- Šviesos diodas J <sup>11</sup>
- LED lemputė J automatiškai užsidega, kai įjungiamas jungiklis F
- Prietaiso laikymas ir valdymas <sup>12</sup>
- ! **dirbdami laikykite prietaisą už pilkos spalvos suėmimo vietos(-ų)**
- ventiliacines angas H laikykite neuždengtas
- pernelyg nespauskite įrankio (pernelyg spaudžiant dalys labai kaista, todėl gali sutrumpėti priedo eksploataavimo trukmė)
- Gylio reguliavimo priedas M (DEPTH STOP) (nėra standartiniame komplekte) <sup>13</sup>

## NAUDOJIMO PATARIMAI

- Siekdami optimalių rezultatų dirbdami su skirtingomis medžiagomis, vadovaukitės <sup>14</sup> lentele tinkamam priedui pasirinkti (**priedai, kurie standartiškai nepateikiami**)
- Daugiau patarimų rasite internete [www.skil.com](http://www.skil.com)

## PRIEŽIŪRA / SERVISAS

- Šis įrankis neskirtas profesionaliam naudojimui
- Periodiškai valykite prietaisą ir kabelį (ypač ventiliacines angas H <sup>2</sup>)
- ! **prieš valydami ištraukite kištuką iš elektros tinklo lizdo**
- Jeiigu prietaisas, nepaisant gamykloje atliekamo kruopštaus gamybos ir kontrolės proceso, vis dėlto gusęstų, jo remontas turi būti atliekamas įgaliotose SKIL elektrinių įrankių remonto dirbtuvėse
- **neišardytą** prietaisą kartu su pirkimo čekiu siųskite tiekėjui arba į artimiausią SKIL firmos įgaliotą elektros prietaisų techninio aptarnavimo tarnybą (adresus bei atsarginių dalių brėžinius rasite [www.skil.com](http://www.skil.com))
- Turėkite omeny, kad garantija netaikoma, jei gedimas atsiranda dėl perkrovos ar netinkamo naudojimo (dėl SKIL garantijos sąlygų žr. [www.skil.com](http://www.skil.com) arba kreipkitės į jus aptarnaujančią prekybos atstovą)

## APLINKOSAUGA

- **Nemeskite elektrinių įrankių, papildomos įrangos ir pakuotės į buitinių atliekų konteinerius** (galioja tik ES valstybėms)
- pagal ES Direktyvą 2012/19/EG dėl naudotų elektrinių ir elektroninių prietaisų atliekų utilizavimo ir pagal vietinius valstybės įstatymus atitarnavę elektriniai įrankiai turi būti surenkami atskirai ir gabenami į antrinių žaliavų tvarkymo vietas, kur jie turi būti sunaikinami ar perdirbami aplinkai nekenksmingu būdu
- apie tai primins simbolis <sup>6</sup>, kai reikės išmesti atitarnavusį prietaisą

## TRIUKŠMINGUMAS / VIBRACIJA

- Išmatuotas pagal EN 62841, šio instrumento garso slėgio lygis yra 86,5 dB(A), garso galios lygis 97,5 dB(A) (neapibrėžtis K = 3 dB), vibracija \* (triašio vektorius suma; neapibrėžtis K = 1,5 m/s<sup>2</sup>)
- \* šlifuojant 3.4 m/s<sup>2</sup>
- Vibracijos sklaidos lygis išmatuotas pagal standarte EN 62841 išdėstytus standartizuoto bandymo reikalavimus;

ši vertė gali būti naudojama vienam įrankiui palyginti su kitu bei išankstiniam vibracijos poveikiui įvertinti, kai įrankis naudojamas paminėtais būdais

- naudojant įrankį kitokiais būdais arba su kitokiais bei netinkamai prižiūrimais priedais, gali žymiai **padidėti** poveikio lygis
- laikotarpiams, kai įrankis išjungtas arba yra įjungtas, tačiau juo nedirbama, gali žymiai **sumažėti** poveikio lygis

! **apsisaugokite nuo vibracijos poveikio prižiūredami įrankį ir jo priedus, laikydami rankas šiltai ir derindami darbo ciklus su pertraukėlėmis**

MK

## Повеќенаменски алат

1491

### УПАТСТВО

- Овој алат е наменет за сечење на дрво, пластика, гипс, метал и меки сидни плочки, како и суво брусење и стругање на мали површини
- Посебно е соодветен за работење близу до рабови и сечење со испирање
- Овој алат не е наменет за професионална употреба
- На овој алат може да се постават вообичаените додатоци за повеќенаменските алати, вклучително и постојните додатоци на OIS и Starlock <sup>3</sup>
- Внимателно прочитајте го и зачувајте го ова упатство за ракување <sup>4</sup>

### ТЕХНИЧКИ ПОДАТОЦИ <sup>1</sup>

### ЕЛЕМЕНТИ НА АЛАТОТ <sup>2</sup>

- A Хексагонален клуч
  - B Шраф за стегање со дихтунг
  - C Подлошка за брусење
  - D Хартија за брусење
  - E Уред за отстранување прашина
  - F Прекинувач за вклучување/исклучување
  - G Тркало за избор на брзината
  - H Отвори за вентилација
  - J ЛЕД-светилка
  - K Сегмент со сечиво \*
  - L Сечиво со забивање
  - M Додаток за прилагодување длабочина \*
- \* НЕ Е СТАНДАРДНО ВКЛУЧЕНО

### БЕЗБЕДНОСТ

#### ОПШТИ ПРЕДУПРЕДУВАЊА ЗА БЕЗБЕДНОСТ НА ЕЛЕКТРИЧНИТЕ АЛАТИ

**⚠ ПРЕДУПРЕДУВАЊЕ** Прочитајте ги сите безбедносни предупредувања, упатства, слики и спецификации што се обезбедуваат со овој алат. Непочитувањето на сите упатства подолу може да доведе до електричен удар, пожар и/или сериозна повреда..

**Чувајте ги сите предупредувања и упатства за понатамошно упатување.**

Поимот “електричен алат”, кој се користи во понатамошниот текст, се однесува на вашиот електричен алат (со приклучен кабел) и на електрични алати со погон на батерии (без приклучен кабел).

## 1) БЕЗБЕДНОСТ НА РАБОТНОТО МЕСТО

- a) **Одржувајте го вашето работно место чисто и уредно.** Неуреден или темен работен простор може да предизвикаат незгоди.
- b) **Немојте да работите со уредот во средина во која има опасност од експлозија, во која има запалливи течности, гасови и прашина.** Електричните алати произведуваат искри кои можат да запалат прашина или пара.
- c) **За време на употребата на електричниот алат, децата и останатите лица држете ги подалеку од местото каде работите.** Одвркање, би можеле да изгубите контрола врз уредот.

## 2) ЕЛЕКТРИЧНА СИГУРНОСТ

- a) **Утинач мора да одговара на приклучокот. Никане не смее да се прават измени на штекерот. Не користете адаптерски штекер заедно со уредот кој е заштитно заземјен.** Не променети штекери и соодветни приклучоци го намалуваат ризикот од електричен удар.
  - b) **Избегнувајте допир на телото со заземјени површини, како што се цевки, радијатори, рерни и фрижидери.** Постои зголемена опасност од струен удар, доколку Вашето тело е заземјено.
  - c) **Чувајте го уредот подалеку од дожд и влага.** Продаирањето на вода во електричниот уред ја зголемува опасноста од струен удар.
  - d) **Не злоупотребувајте го приклучниот кабел за носење, бесење на уредот или за извлекување на штекерот од мрежниот приклучок. Чувајте го кабелот подалеку од топлина, масло, остри рабови или деловите на апаратот кои се движат.** Оштетени или заплеткани кабли ја зголемуваат опасноста од струен удар.
  - e) **Нога го употребувате полначот надвор, користете продолжен кабел кој е соодветен за употреба на отворен простор.** Примената на продолжен кабел соодветен за работа на отворен простор ја намалува опасноста од струен удар.
  - f) **Доколку не може да се избегне работа со електричниот алат во влажна средина, користете прекинувач за струјна заштита при технички проблеми.** Употребата на прекинувачот за струјна заштита при технички проблеми го намалува ризикот од електричен удар.
- ## 3) ЛИЧНА ЗАШТИТА
- a) **Бидете внимателни, внимавајте што правите и постапувајте внимателно додена работите со електричниот алат. Не работете со уредот доколку сте уморни или под дејство на дрога, алкохол или лекови.** Еден момент на невнимание при употребата може да доведе до сериозни повреди.
  - b) **Носете ја личната заштитна опрема и секогаш носете заштитни очила.** Носењето на личната заштитна опрема, како што е маската за прашина, безбедносната облека која не се лигза, заштитен шлем или штитник за слух, зависно од видот и примената на електричниот алат, ја намалува опасноста од повреда.

- c) **Избегнувајте невнимателно вклучување за време на работата. Осигурајте се прекинувачот да биде во “OFF” позиција пред да го ставите штекерот во приклучокот.** Доколку го носите електричниот алат со прстот на прекинувачот или го приклучувате апаратот кој е приклучен со напојување на струја, може да предизвикате незгоди.
  - d) **Пред вклучување на уредот, тргнете ги алатите за подесување или клучот за навртување.** Алатот или клучот кој се наоѓа во вртливиот дел на уредот, може да предизвика незгода.
  - e) **Не ги преценувајте своите способности. Завземете сигурен и стабилен став и во сеној момент одржувајте рамнотежа.** На тој начин можете подобро да го контролирате уредот во неочекувани ситуации.
  - f) **Носете соодветна облека. Не носете широка облена или наикт. Косата и алиштата треба да бидат подалеку од подвижните делови.** Широката облека, наикитот или долгата коса може да се закачат за подвижните делови.
  - g) **Доколку може да се монтираат направи за вшмукување и фаќање прашина, проверете дали се вклучени и дали можат исправно да се користат.** Примената на овие направи ја намалува опасноста од прашиката.
  - h) **Не дозволувајте искуството стекнато со честа употреба на алатите да ве направи спокójни и да ги игнорирате безбедносните принципи при неговото користење.** Невнимателно движење може да предизвика сериозни повреди во дел од секунда.
- ## 4) ВНИМАТЕЛНА УПОТРЕБА И РАКУВАЊЕ СО ЕЛЕКТРИЧНИТЕ АЛАТИ
- a) **Не го преоптеретувајте уредот. При вашата работа користете го предвидениот електричен алат за таа употреба.** Со соодветниот електричен алат ќе работите подобро и посигурно во наведената функционална област.
  - b) **Не користете електричен алат чиј прекинувач е неисправен.** Електричниот алат кој повеќе не може да се вклучува и исклучува е опасен и мора да се поправи.
  - c) **Исклучете го електричниот алат од струја и/или извадете го комплетот со батерии, ако се одделува, пред да правите некакви прилагодувања, менувате дополнителна опрема или да го складирате електричниот алат.** Со овие мерки на внимателност ќе се избегне невнимателното вклучување на уредот.
  - d) **Тргнете го електричниот алат кој не го користите од допирот на децата. Не допуштајте работа со уредот на лица кои не се запознаени со него или кои го немаат прочитано ова упатство.** Електричните алати се опасни доколку со нив работат неискусни лица.
  - e) **Одржувајте го електричниот алат и дополнителната опрема. Имајте контрола околу тоа дали движечките делови на уредот работат беспрекорно и дали не се заглавени, дали деловите се скршени или оштетени до таа мерка што не може да се обезбеди функционирање на уредот. Пред примената, овие оштетени делови треба да се поправат.** Причина за многу незгоди е лошо одржуваниот електричен алат.

- f) **Алатите за сечење одржувајте ги остри и чисти.** Внимателно одржувањето алати за сечење со остри отчрици помалку ќе се заглавуваат и со нив работата ќе биде полесна.
  - g) **Електричниот алат, прибор, работни алати итн., треба да ги користите според овие упатства, и на начин кој е опишан за соодветниот тип на уред. При тоа, земете ги предвид работните услови и работата која се извршува.** Употребата на електричните алати за други цели кои не се предвидени, може да предизвика опасни ситуации.
  - h) **Рачните и површините за држење одржувајте ги суви, чисти и неизмастени.** Рачките и површините за држење што се лизгаат не овозможуваат безбедно ракување и контрола на алатот во неочекувани ситуации.
- 5) СЕРВИСИРАЊЕ**
- a) **Електричниот алат сервисирајте го нај квалификувано лице кое користи само идентични резервни делови.** Со ова се обезбедува безбедно одржување на електричниот алат.

## БЕЗБЕДНОСНО УПАТСТВО ЗА ПОВЕЌЕНАМЕНСКИ АЛАТИ

### ОПШТИ

- Овој алат не треба да го користат лица под 16 години
- Продолжениот кабел кој го користите, мора да биде сосема одмотан и безбеден, со капацитет од 16 А
- Секогаш проверувајте напонот да е ист со оној кој е назначен на плочката на алатот
- Избегнувајте оштетувања од штрафови, шајки и други предмети во местото каде работите; тргнете ги пред да почнете со работа
- Прашината од материјали како боја која содржи олово, некои видови дрво, минерали и метали, може да биде штетна за здравјето (контактот со прашината или нејзиното вдишување може да шредизвика алергии и/или болести на дишните органи за оној кој работи со алатот или луѓето во близина); **носете маска за прашина и работете со правосмукалки доколку можете да ги поврзете**
- Некои видови на прашина се канцерогени (како на пример прашината од даб или бука), особено заедно со адитиви за одржување на дрвото; **носете маска за прашина и работете со правосмукалки доколку можете да ги поврзете**
- Следете ги процедурите на вашата земја за прашината која се јавува како резултат од материјалите со кои работите
- **Користете стегачи или друг практичен начин за да го обезбедите и потпрете парчето за работа на стабилна платформа** (парчето за работа е нестабилно ако го држите парчето со рака или потпрено на телото со што може да ја загубите контролата)
- **Не обработувајте никаков материјал кој содржи азбест** (азбестот важи за предизвикувач на рак)
- **Секогаш исклучувајте го приклучокот од изворот за напојување за време на пауза во работата или пред чистење, одржување, вршење на кавки било прилагодувања или замена на додатните делови за да се намали ризикот од случајно вклучување на алатката**

- Кога работите, цврсто држете го алатот со двете раце и заземете безбеден став
- Кабелот секогаш држете го подалеку од деловите на алатот кои се движат; кабелот држете го на задната страна, на страна од алатот
- **Носете заштитни ракавици кога ги менувате додаточите** (контакт со додаток може да доведе до повреда)
- Во случај да дојде до електричен или механички дефат, веднаш исклучете го алатот и исклучете го од приклучокот
- Ако кабелот се оштети или пресече за време на работата, веднаш исклучете го и не го допирајте
- Никогаш не користете го алатот ако кабелот е оштетен; тој мора да се замени со специјално подготвен кабел достапен преку центарот за подпродажни услуги за електрични алати на SKIL и замената да се изврши од страна на квалификувано лице
- Кога ќе ја завршите работата со алатот, исклучете го моторот и проверете дали сите подвижни делови се застанати

### ПРИ ПИЛЕЊЕ/СЕЧЕЊЕ

- **Држете го алатот за изолираните површини за зафаќање кога извршувате работа при која што дополнителната опрема за сечење може да дојде во контакт со скриените жици или со кабелот** (ако дополнителната опрема за сечење дојдат во контакт со жица под напон може да ги електрифицираат металните делови на алатот и да предизвикаат електричен удар на операторот)
- **Држете ги рацете подалеку од областа за сечење.** Никогаш не допирајте под материјалот од која било причина додека сечете
- **Користете соодветни детектори за наоѓање на скриени инсталации или повинајте соодветна компанија за помош** (контактот со електричните линии може да доведе до струен удар; оштетувањата во гасоводна цевка може да резултира со експлозија; пенетрирање во водоводна инсталација може да доведе до оштета на предмети или електричен удар)
- Не користете сечиво што е напукнато, деформирано или тапо

### ПРИ БРУСЕЊЕ

- **Користете го алатот само за суво брусење** (навлегувањето на водата во алатот го зголемува ризикот од електричен удар)
- Не допирајте ја брусната хартија која се движи
- Не користете изабени, искинати или хартија со многу налепен слој од брусење
- При брусење на метал доаѓа до појава на искри; не користете правосмукалка а останатите лица и запалливи материјали треба да се наоѓаат подалеку од местото каде се работи

### ОБЈАСНУВАЊЕ ЗА СИМБОЛИТЕ ЗА АЛАТОТ

- ③ На овој алат може да се постават вообичаените додаточи за повеќенаменските алати, вклучително и постојните додаточи на OIS и Starlock
- ④ Пред употреба прочитајте го прирачникот за употреба
- ⑤ Двојна изолација (не е потребна заземна жица)
- ⑥ Не фрлајте го алатот заедно со другиот отпад од домаќинството

## УПОТРЕБА

- Менување дататоци ⑦
  - ! **извлекете го приклучокот ано кабелот**
  - извадете/ставајте го потребниот додаток како што е прикажано
  - проверете дали отворите на датадоците ќе се наместат во јазичињата на главата на алатот (можна е секоја позиција за заклучување)
  - поставете го додатокот со притиснат центар насочен надолу
  - разлабавете/затегнете го шрафот В со инбус А
  - **проверете дали додатокот е правилно поставен** (неправилно или недоволно затегнатите датадоци се разлабавуваат во текот на работата и така претставуваат опасност)
- Поставување хартија за брусење ⑧
  - истресете ја прашиката од ВЕЛКРО-материјалот на подлошката за брусење С пред да ја ставите хартијата за брусење
  - поставете шмиргла за пескарење од ВЕЛКРО D како што е прикажано
  - ! **вшмукувањето прашина изискува употреба на перфориран хартии за брусење**
  - ! **перфорацијата на брусната хартија треба да е соодветна на перфорацијата на брусната плоча**
  - ! **навремено заменете ја истрошената брусна хартија**
  - ! **сегоаш користете го алатот со целата површина од ВЕЛКРО покриена со хартија за брусење**
- Вшмукување прашина ⑨
  - ! **извлекете го приклучокот ано кабелот**
  - употребувајте уред за извлекување на правот Е само кога работите со подлога за брусење С
  - поставете го уредот за вадење прашина Е како што е прикажано
  - поврзете ја правосмукалната
  - ! **не користете уред за вадење прашина/ правосмукална кога брусите метал**
  - користете го уредот за вадење прашина Е редовно за да постигнете оптимално собирање на прашиката
- Вклучено/Исклучено
  - Вклучувајте/исклучувајте го алатот со притискање на прекинувачот F ② во позициите "I"/"O"
  - ! **пред дополнителниот дел да го допре делот за работа, алатот мора да работи со полна брзина**
  - ! **уредот треба да се подигне од работната површина пред тој да биде исклучен**
- Прилагодување на работната брзина ⑩
  - со тркалото G може да се прилагодување потребната осцилирачка фреквенција од најмала (1) до голема (6) (дури и кога алатот работи)
  - оптималната работна брзина зависи од материјалот и може да се одреди преку практични проби
- ЛЕД-светилки J ⑪
  - Сијаличката LED J автоматски светнува кога ќе се активира прекинувачот F
- Држење и насочување на алатот ⑫
  - ! **додена работите, сегоаш држете го алатот за местото (местата) кое (кои) се означени со сива боја**

- отворите за ладење Н држете ги отворени
- не применувајте премногу притисок врз алатот (прекумерниот притисок ќе предизвика прекумерно загревање и може да го скрати периодот за употреба на додатокот)
- **Додаток за прилагодување длабочина М (DEPTH STOP) (не се добива заедно со алатот) ⑬**

## СОВЕТИ ЗА ПРИМЕНА

- За оптимални резултати со различни материјали, употребувајте ја табелата ⑭ како референца за одредување на точниот додатен дел (**вклучувајќи ги и нестандартните додатни делови**)
- Многу други совети можете да најдете на [www.skil.com](http://www.skil.com)

## ОДРЖУВАЊЕ/СЕРВИСИРАЊЕ

- Овој алат не е наменет за професионална употреба
- Алатот и кабелот сегоаш да се одржуваат чисти (особено отворите за ладење Н ②)
  - ! **пред чистење извадете го алатот од приклучокот**
- Доколку алатот и покрај внимателното работење и контрола некогаш откаже, поправката мора да ја изврши некој овластен SKIL сервис за електрични алати
  - во случај на примедба, испратете го алатот **нерасклопен**, заедно со сметкопотврдата, до вашиот продавач или најблискиот SKIL сервис (адресите се наведени на [www.skil.com](http://www.skil.com))
- Имајте предвид дека оштетувањето настанато заради преоптоварување или неправилно ракување со алатот ја отфрла гаранцијата (видете на [www.skil.com](http://www.skil.com) или прашајте го продавачот за условите на гаранцијата на SKIL)

## ЗАШТИТА НА ЖИВОТНАТА СРЕДИНА

- **Не се ослободувајте од електрични алати, уреди или амбалажа преку нивно фрлање во домашното губре** (само за земјите на ЕУ)
  - според Европската Директива 2012/19/ЕС за ослободување од електрична и електронска опрема и нејзина имплементација во согласност со националните закони, електричните алати кои го достигнале крајот на својот животен век мора да бидат собрани посебно и да бидат вратени во соодветен објект за рециклирање
  - симболот ⑮ ќе ве потсетува на ова кога ќе дојде време алатот да го фрлите

## БУЧАВА / ВИБРАЦИИ

- Измерено во согласност со EN 62841, нивото на звучен притисок на оваа алатка е 86,5 dB(A) и нивото на звучна моќност 97,5 dB(A) (несигурност K = 3 dB), и вибрацијата \* (триаџ векторна сума; несигурност K = 1.5 m/s<sup>2</sup>)
  - \* кога чистите 3.4 m/s<sup>2</sup>
- Нивото на емитување на вибрации кое е наведено на задниот дел на ова упатство е измерено во согласност со стандардизираниот тест даден во EN 62841; може да се користи за да се спореди еден алат со друг, и како првична оценка за изложеноста

na vibracione koqa se koristi alatot za spomenatite primeni

- koristeñeto na alatot za razni primeni, ili so razlicni ili nepravilno çuvani delovi, moqe da dovede do znaqajno **zgolemuvanje** na nivoto na izloženost

- koqa alatot e iskluçen ili koqa alatot e vkluçen no ne vrshi nekaqva работа, moqe da dojde do znaqitelno **namaluvanje** na nivoto a izloženost

**! zaštitete se od efentite na vibraciotite prenu odrjuvawe na alatot i negovite delovi, odrjuvawe na toplinata vo vašite raqe, i organizirawe na vašata работа**

AL

## Vegël shumëfunsionale

1491

### HYRJE

- Kjo pajisje është e projektuar për sharrim dhe prerje në dru, plastikë, alçi, metale dhe pllaka muri të buta, si dhe për smerilimin e thatë dhe gërryerjen e sipërfaqeve të vogla
- Ajo është veçanërisht e përshtatshme për të punuar afër anëve dhe për prerje të rrafshëta
- Kjo vegël nuk është e projektuar për përdorim profesional
- Kjo pajisje pranon pjesën më të madhe të aksesorëve të disponueshëm për pajisje shumëfunsionale, duke përfshirë aksesorët ekzistues OIS dhe Starlock ③
- Lexoni dhe ruani këtë manual të përdorimit ④

## TË DHËNAT TEKNIKE ①

### ELEMENTET E VEGËL ②

- A Çelësi heksagonal
- B Vida kapëse me rondo
- C Paneli i smerilimit
- D Fletë e smerilimit
- E Pajisja e nxjerrjes së pluhurave
- F Çelësi i ndezjes/fikjes
- G Butoni i zgjedhjes së shpejtësisë
- H Të çarat e ajrosjes
- J Dritë LED
- K Lama e sharrës së segmentit \*
- L Lama e sharrës për prerje me zhytje
- M Aksesor për rregullimin thellësi \*

\* JO STANDARDE E PËRFSHIRË

## SIGURIA

### PARALAJMËRIME TË PËRGJITHSHME TË SIGURISË PËR PAJISJET ELEKTRIKE

**▣ PARALAJMËRIM:** Lexoni të gjitha paralajmërimet, udhëzimet, ilustrimet dhe specifikimet e dhëna me këtë mjet pune. Mosrespektimi i të gjitha udhëzimeve të renditura më poshtë mund të rezultojë në goditje elektrike, zjarr dhe/ose dëmtime të rënda.

**Ruani të gjitha paralajmërimet dhe udhëzimet për referencë në të ardhmen.**

Termi "pajisje elektrike" në paralajmërimi i referohet pajisjes elektrike që përdoret nga priza (me kablo) ose pajisjes elektrike me bateri (pa kablo).

### 1) SIGURIA E ZONËS SË PUNËS

- Mbajeni zonën e punës të pastër dhe të ndriçuar mirë.** Zonat e çrregullta ose të errëta janë një ftesë për aksidente.
- Mos i përdorni pajisjet elektrike në situata me mundësi shpërthimi, si në prani të lëngjeve, gazeve ose pluhurave të djegshëm.** Pajisjet elektrike shkaktojnë shkëndija që mund të ndezin pluhurat ose avujt.
- Mbajini fëmijët dhe personat e tjerë larg gjatë përdorimit të veglës së punës.** Tërheqja e vëmendjes mund të shkaktojë humbjen e kontrollit.

### 2) SIGURIA ELEKTRIKE

- Spinat e veglës së punës duhet të përputhen me prizën. Mos modifikoni kurrë spinën në asnjë mënyrë. Mos përdorni asnjë spinë përshtatëse me veglat e punës me tokëzim.** Spinat e pamodifikuara dhe prizat përshtatëse do të zvogëlojnë rrezikun e goditjes elektrike.
  - Shmangni kontaktin trupor me sipërfaqe të tokëzuara si tuba, radiatorë, soba dhe frigoriferë.** Ka një rrezik më të madh të goditjeve elektrike nëse trupi është i tokëzuar.
  - Mos ekspozoni veglat e punës në shi ose në kushte me lagështi.** Uji që hyn në veglën e punës do të rritë rrezikun e goditjes elektrike.
  - Mos abuzoni me kordonin. Mos e përdorni kurrë kordonin për transportin, tërheqjen ose heqjen e spinës së veglës së punës. Mbajeni kordonin larg nga nxehtësia, vaji, anët e mprehta ose pjesët që lëvizin.** Kordonët e dëmtuar ose e bllokuar rrisin rrezikun e goditjes elektrike.
  - Kur përdorni një vegël pune në mjedise të jashtme, përdorni një kordon zgjatës të përshtatshëm për përdorim në mjedise të jashtme.** Përdorimi i një kordoni të përshtatshëm për përdorime në mjedise të jashtme zvogëlon rrezikun e goditjes elektrike.
  - Nëse përdorimi i veglës së punës në një vend me lagështi është i pashmangshëm, përdorni një automat qarku me shkarkesë me tokëzim.** Përdorimi i një automati me shkarkesë me tokëzim zvogëlon rrezikun e goditjes elektrike.
- ### 3) SIGURIA PERSONALE
- Qëndroni në gatshmëri, shikoni se çfarë po bëni dhe përdorni gjykimin kur përdorni një vegël pune.** Mos e përdorni një vegël pune kur jeni i lodhur ose nën ndikimin e ilaçeve, alkoolit ose mjekimit. Një moment humbje e vëmendjes gjatë përdorimit të veglës të punës mund të shkaktojë dëmtime të rënda personale.
  - Përdorni pajisje personale mbrojtëse. Mbani gjithmonë pajisje për mbrojtjen e syve.** Pajisjet mbrojtëse si maska kundër pluhurit, këpucët që nuk rrëshqasin, kaskat ose pajisjet për mbrojtjen e veshëve për kushtet përkatëse do të zvogëlojnë dëmtimet personale.
  - Parandaloni ndezjen e rastësishme. Sigurohuni që çelësi është në pozicionin fikur para se të lidhni burimin e energjisë dhe/ose baterinë, para se të merrni ose të transportoni pajisjen.** Transportimi i

veglave të punës me gishtin në çelës ose aktivizimi i veglave të punës që kanë çelësin të ndezur është një ftesë për aksidente.

- d) **Hiqni çdo çelës ose çelës përshtatës para ndezjes së veglës së punës.** Një çelës i lënë i lidhur me një pjesë rrotulluese të veglës së punës mund të shkaktojë dëmtime personale.
- e) **Mos u zgjasni. Mbani një vendosje të mirë të këmbëve dhe një ekuilibër të mirë në çdo moment.** Kjo gjë bën të mundur një kontroll më të mirë të veglës së punës në situata të papritura.
- f) **Vishuni në mënyrën e duhur. Mos vishni veshje të gjera ose bizhuteri. Mbani flokët, veshjet dhe dorashkat larg nga pjesët lëvizëse.** Veshjet e gjera, bizhuteritë ose flokët e gjatë mund të kapen nga pjesët në lëvizje.
- g) **Nëse janë ofruar pajisje për lidhjen e pajisjeve të mbledhjes dhe nxjerrjes së pluhurave, sigurohuni që ato të jenë të lidhura dhe të përdoren si duhet.** Përdorimi i mbledhjes së pluhurave mund të zvogëlojë rreziqet në lidhje me pluhurat.
- h) **Mos lejoni që familjarizimi i fituar nga përdorimi i shpeshtë i veglave t'ju lejojë të tregoheni të vetëkënaqur dhe të shpërfillni parimet e sigurisë për pajisjet.** Një veprim i pakujdesshëm mund të shkaktojë dëmtime të rënda në më pak se një sekondë.
- 4) **PËRDORIMI DHE KUJDESI PËR VEGLËN E PUNËS**
- a) **Mos ushtroni forcë mbi veglën e punës.** Përdorni veglën e punës të duhur për përdorimin tuaj. Vegla e punës e duhur do të realizojë një punë më të mirë dhe më të sigurt dhe me shpejtësinë që ajo është e projektuar.
- b) **Mos përdorni veglën e punës nëse çelësi nuk e ndez apo e fik.** Çdo vegël pune që nuk mund të kontrollohet me anë të çelësit është e rrezikshme dhe duhet të riparohet.
- c) **Shkëputni spinën nga burimi i energjisë dhe/ose baterinë nga vegla e punës para se të bëni rregullime të tjera, të ndryshoni aksesoret ose të ruani veglat e punës.** Këto masa parandaluese të sigurisë ulin rrezikun e ndezjes aksidentale të veglës së punës.
- d) **Mbani veglat e punës larg fëmijëve dhe mos lejoni personat e pamësura me veglën e punës ose këto udhëzime për përdorimin e pajisjes.** Veglat e punës janë të rrezikshme në duart e përdoruesve të patrajnuar.
- e) **Mirëmbani veglat e punës.** Kontrolloni për mospërshtatje ose bllokim të pjesëve lëvizëse, thyerje të pjesëve dhe gjendje të tjera që mund të ndikojnë në funksionimin e veglës së punës. Nëse dëmtohet, riparohet veglën e punës para përdorimit. Shumë aksidente shkaktohen nga veglat e punës jo të mirëmbajtura si duhet.
- f) **Mabajni pajisjet prerëse të pastra dhe të mprehta.** Pajisjet e prerjes të mirëmbajtura dhe me anë të mprehta kanë më pak mundësi për t'u bllokuar dhe janë më të lehta për t'u kontrolluar.
- g) **Përdorni veglat e punës, aksesoret dhe puntot, etj. në përputhje me këto udhëzime, duke marrë parasysh kushtet e punës dhe punën që do të kryhet.** Përdorimi i veglave për përdorime të ndryshme nga ato të përcaktuara mund të shkaktojë rreziqe.

- h) **Mabajni dorezat dhe sipërfaqet ku mbaheni të thata, të pastra dhe pa vajra ose graso.** Dorezat dhe sipërfaqet ku mbaheni, kur janë të rrëshqitshme, nuk ju lejojnë ta menaxhoni dhe ta kontrolloni në mënyrë të sigurt pajisjen në situata të papritura.

## 5) SHËRBIMI

- a) **Shërbimi i veglës së punës duhet të kryhet nga një person i kualifikuar për riparimet duke përdorur vetëm pjesë ndërrimi identike.** Kjo gjë do të sigurojë ruajtjen e sigurisë së veglave të punës.

## UDHËZIMET E SIGURISË PËR PAJISJET SHUMËFUNKSIONALE

### TË PËRGJITHSHME

- Kjo pajisje nuk duhet të përdoret nga personat nën moshën 16 vjeç
- Përdorni kordonin të pahapur dhe të sigurt për zgjatime, me një kapacitet 16 amper
- Kontrolloni gjithmonë që voltazhi i energjisë është i njëjtë me voltazhin e treguar në etiketën e veglës
- Shmangni dëmtimet që mund të shkaktohen nga vidat, gozhdët dhe elementet e tjera në materialin e punës; hiqni ato para se të filloni punën
- Pluhurat nga materialet si boja me plumb, disa lloje drurësh, mineralesh dhe metalesh mund të jenë të dëmshme (kontakti ose thithja e pluhurave mund të shkaktojë reagime alergjike dhe/ose sëmundje respiratore për përdoruesin ose personat përreth); **mbani një maskë për pluhurat dhe punoni me një pajisje për heqjen e pluhurave kur mund të lidhet**
- Disa lloje pluhurash skanë klasifikuar si kancerogjene (si pluhuri i lisit dhe i ahut) veçanërisht në ndërthurje me lëndët shtesë për kondicionimin e drurit; **mbani një maskë për pluhurat dhe punoni me një pajisje për heqjen e pluhurave kur mund të lidhet**
- Respektoni kërkesat kombëtare në lidhje me pluhurat për materialet me të cilat dëshironi të punoni
- **Përdorni morsa ose mënyra të tjera praktike për të siguruar dhe mbështetur materialin e punës në një platformë të qëndrueshme** (mbajtja e materialit me duar ose të mbështetur në trup bën që materialit të mbetet i paqëndrueshëm ose mund të shkaktojë humbje të kontrollit)
- **Mos punoni me materiale që përmbajnë asbest** (asbesti konsiderohet kancerogjen)
- **Hiqni gjithmonë spinën nga prizat elektrike gjatë pushimeve në punë ose para pastrimit, mirëmbajtjes, kryerjes së rregullimeve dhe ndryshimit të aksesoreve, për të minimizuar rrezikun e aktivizimit të veglës aksidentalisht**
- Kur punoni, mbajeni gjithmonë veglën mirë me të dyja duart dhe mbani një qëndrim të sigurt
- Mbajeni gjithmonë kordonin larg nga pjesët e lëvizshme të veglës; drejtojeni kordonin në anën e pasme, larg nga vegla
- **Përdorni doreza mbrojtëse kur ndërroni aksesoret** (kontakti me aksesoret mund të shkaktojë dëmtime)
- Në rast të një defekti elektrik ose mekanik, fikni menjëherë pajisjen dhe hiqni spinën
- Nëse kordoni dëmtohet ose pritet gjatë punës, mos e prekni kordonin por hiqni menjëherë spinën
- Kurrë mos e përdorni pajisjen kur kordoni është i dëmtuar; ai duhet të zëvendësohet nga një kordon i veçantë që disponohet në qendrat e servisit



të pas-shitjeve për veglat SKIL të energjisë dhe zëvendësimi duhet të kryhet nga një person i kualifikuar

- Kur ta largoni pajisjen, fikeni motorin dhe sigurohuni që të gjitha pjesët lëvizëse të kenë ndluar plotësisht

#### GJATË SHARRIMIT/PRERJES

- **Mbajeni veglën e punës nga sipërfaqet e izoluarra e kapjes kur kryeni një veprim i aksesori të prerjes mund të bjerë në kontakt me tela të fshehur ose kordonit e tij** (një aksesor i prerjes që bie në kontakt me një tel elektrik mund të bëjë që pjesët metalike të ekspozuara të pajisjes të transmetojnë elektricitetin dhe të shkaktojnë goditjen elektrike të përdoruesit)
- **Mbajini duart larg nga zona e prerjes**; mos u zgjasni kurrë poshtë materialit për asnjë arsye gjatë prerjes
- **Përdorni detektorë përkatës për të gjetur linjat e fshehura të shërbimit ose telefononi kompaninë lokale të shërbimeve për ndihmë** (kontakti me linjat elektrike mund të shkaktojë zjarr ose goditje elektrike; dëmtimi i një linje gazi mund të shkaktojë një shpërthim; shpimi i një tubi uji do të shkaktojë dëmtim të pronës ose një goditje elektrike)
- Mos përdorni një thika sharre që është e krisur, e deformuar ose jo e mprehtë

#### GJATË SMERILIMIT

- **Përdorni pajisjen vetëm për smerilimin e thatë** (depërtimi i ujit në pajisje rrit rrezikun e goditjes elektrike)
- Mos e prekni fletën e smerilimit në lëvizje
- Mos vazhdoni të përdorni fletat e smerilimit të konsumuara, të çara ose shumë të bllokuara
- Kur smeriloni metale, krijohen shkëndija; mos përdorni fshesë me korrent dhe mbajini personat e tjera dhe materialet e djegshme larg nga zona e punës

#### SHRJEJIMI I SIMBOLEVE NË VEGJË

- ③ Ky mjet pranon shumicën e veglave multi-mjete të disponueshme, duke përfshirë aksesorët bazë ekzistues IOS dhe Starlock
- ④ Lexoni manualin e udhëzimeve para përdorimit
- ⑤ Izolim i dyfishtë (nuk kërkohet tokëzim)
- ⑥ Mos e hidhni veglën bashkë me materialet e mbetjeve familjare

### PËRDORIMI

- Ndërrimi i aksesorëve ⑦
  - ! **hiqeni spinën**
  - hiqni/montoni aksesorin e duhur si në ilustrim
  - sigurohuni që vrimat e aksesorit aktivizohen në skadat e kokës së pajisjes (çdo pozicion i mundshëm i kapjes)
  - montoni aksesorin me qendrën e shtypur me drejtim poshtë
  - lironi/shtrëngoni vidën B me çelësin heksagonal A
  - **kontrolloni aksesorin që të jetë i mbështetur mirë** (aksesorët e shtrënguar gabim ose jo në mënyrë të sigurt mund të lirohen gjatë punës dhe të jenë një rrezik)
- Montoni i fletës së smerilimit ⑧
  - shkundni pluhurat nga materiali VELCRO në panelin e smerilimit C para se të montoni fletën e smerilimit
  - montoni fletën e smerilimit VELCRO D si në ilustrim
  - ! **thithja e pluhurave kërkon që të përdoren fletë smerilimi me vrimë**
  - ! **vrimat në fletën e smerilimit duhet të përputhen me vrimat në këmbën e smerilimit**
  - ! **ndërroni fletët e konsumuara të smerilimit në kohën e duhur**

! **përdorni pajisjen gjithmonë me të gjithë sipërfaqen VELCRO të mbuluar me letër smerilimi**

- Thithja e pluhurave ⑨
  - ! **hiqeni spinën**
  - përdorni pajisjen e nxjerrjes së pluhurave E vetëm kur punoni me fletë smerilimi C
  - montoni pajisjen e nxjerrjes së pluhurave E si në ilustrim
  - lidhni fshesën me korrent
  - ! **mos përdorni pajisjen e nxjerrjes së pluhurave/ fshesën me korrent kur smeriloni metale**
  - pastroni rregullisht pajisjen e nxjerrjes së pluhurave E për një rendiment optimal në mbledhjen e pluhurave
- Ndezje/Fikje
  - Ndizni/fikni pajisjen duke shtyrë çelësin F ② në pozicionin "I"/"O"
  - ! **para se aksesori të prekë materialin e punës, vegla duhet të punojë me shpejtësi të plotë**
  - ! **para se ta fikni veglën, ju duhet ta ngrini atë nga materiali i punës**
- Rregullimi i shpejtësisë së punës ⑩
  - me anë të çelësit G, frekuenca e duhur e oshilacioneve mund të rregullohet nga e ulët (1) deri në e lartë (6) (edhe kur pajisja është në funksionim)
  - shpejtësia optimale e punës varet nga materiali dhe mund të përcaktohet me prova praktike
- Drita LED J ⑪
  - Drita LED J ndizet automatikisht kur aktivizoni çelësin F
- Mbajta dhe drejtimi i veglës ⑫
  - ! **gjatë punës, mbajeni gjithmonë veglën në zonën(at) e dorës me ngjyrë gri**
  - mbajini të çarat e ajrit H të pambuluara
  - mos ushtroni shumë trysni mbi pajisje (trysnia e tepërt do të shkaktojë nxehtësi të madhe dhe mund të shkaktojë jetëgjatësinë e përdorimit të aksesorit)
- Aksesor për rregullimin thellësi M (DEPTH STOP) (jo standarde e përfshirë) ⑬


### KËSHILLË PËR PËRDORIMIN

- Për rezultate optimale në materialet ndryshme, përdorni tabelën ⑭ si referencë për të përcaktuar aksesorin e duhur (**aksesorët jo standardë të përfshirë**)
- Për më shumë këshilla, vizitoni [www.skil.com](http://www.skil.com)

### MIRËMBAJTJA / SHËRBIMI

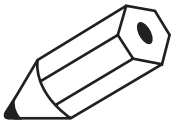
- Kjo vegël nuk është e projektuar për përdorim profesional
- Mbajeni gjithmonë veglën dhe kordonin të pastër (veçanërisht të çarat e ajrosjes H ②)
  - ! **shkëputni spinën para pastrimit**
- Nëse pajisja ka defekt pavarësisht kujdesit në prodhim dhe procedurat e provave, riparimi duhet të kryhet nga një qendër e shërbimit pas shitjes për veglat e punës të SKIL
  - dërgoni veglën të çmontuar së bashku me vërtetimin e blerjes të shitësi ose të qendra më e afërt e shërbimit e SKIL (adresat si dhe diagrami i shërbimit i veglës janë të paraqitura në [www.skil.com](http://www.skil.com))
- Kini parasysh se dëmtimet për shkak të mbingarkesës ose manovrimit të papërshtatshëm të veglës janë të përjashtuara nga garancia (për kushtet e garancisë së SKIL vizitoni [www.skil.com](http://www.skil.com) ose pyetni shitësin tuaj)

## MJEDISI

- **Mos i hidhni veglat elektrike, aksesorët dhe paketimin së bashku me materialet e mbeturinave familjare** (vetëm për vendet e BE-së)
  - në respektim të Direktivës evropiane 2012/19/EC për pajisjet elektrike dhe elektronike si mbetje dhe zbatimin e saj në përputhje me ligjet kombëtare, pajisjet elektrike që kanë arritur në fund të jetëgjatësisë së tyre duhet të mbliidhen të ndara dhe të kthehen në një objekt riciklimi në përputhje me mjedisin.
  - simboli  do t'ju kujtojë për këtë gjë kur të jetë nevoja për t'i hedhur

## ZHURMA / VIBRIMI

- I matur sipas EN 62841, niveli i presionit të zhurmës së këtij mjeti është 86,5 dB(A) dhe niveli i fuqisë së zhurmës 97,5 dB(A) (pasiguria K = 3 dB), dhe dridhja \* (shuma e vektorit triax; pasiguria K = 1.5 m/s<sup>2</sup>)
    - \* gjatë smerilimit 3.4 m/s<sup>2</sup>
  - Niveli i emetimit të vibrimit është matur në përputhje me një provë të standardizuar të dhënë në EN 62841; ajo mund të përdoret për të krahasuar një vegël me një tjetër dhe si një vlerësim paraprak i ekspozimit ndaj vibrimit kur përdorni pajisjen për proceset e përmendura
    - përdorimi i pajisjes për procese të ndryshme, ose me aksesorë të ndryshëm dhe të mirëmbajtur keq, mund të **rritë** ndjeshëm nivelin e ekspozimit
    - kohët kur pajisja është e fikur dhe kur është e ndezur por jo në punë, mund të **zvogëlojnë** ndjeshëm nivelin e ekspozimit
- ! mbron veten nga efektet e vibrimit duke mirëmbajtur pajisjen dhe aksesorët e saj, duke mbajtur duart e ngrohta dhe duke organizuar mënyrën tuaj të punës**





## استفاده

- اگر ابزار علیرغم تمام دقت و مراقبتی که در فرایندهای تولید و تست بکار برده شده از کار افتاد، تعمیرات باید فقط در مراکز خدمات پس از فروش ابزارهای برقی SKIL انجام شود.
- ابزار را بصورت بازنشده همراه با رسید خرید به فروشنده یا نزدیک ترین مرکز خدمات بسناتی SKIL بفرستید (آدرسها به همراه نمودار نقشه های سرویس ابزار در [www.skil.com](http://www.skil.com) موجود است)
- توجه داشته باشید که خرابی و خسارت ناشی از اضافه بار یا کار کردن نادرست با ابزار مشمول ضمانت نخواهند بود (برای آگاهی از شرایط ضمانت SKIL به نشانی [www.skil.com](http://www.skil.com) مراجعه کرده یا از فروشنده خود سوال کنید)

## محیط زیست

- ابزارهای برقی، لوازم و متعلقات و بسته بندی آنها را نباید همراه با زباله های عادی خانگی دور انداخت (فقط مخصوص کشورهای عضو اتحادیه اروپا)
- یا توجه به مصوبه اروپایی 19/2012/EC اروپا درباره لوازم برقی و الکترونیکی مستعمل و برای این مصوبه مطابق با قوانین کشوری، ابزارهای برقی که به پایان عمر مفید خود رسیده اند باید جداگانه جمع آوری شده و به یک مرکز بازیافت مناسب و سازگار با محیط زیست انتقال یابند
- نماد علامت ① یادآور این مسئله در هنگام دور انداختن است

## صدا / ارتعاشات

- بر طبق اندازه گیری های انجام شده بر اساس استاندارد EN 12841، میزان فشار صوتی این ابزار 81,6 دسی بل و میزان توان صوتی آن 97,5 دسی بل (عدم قطعیت  $K = 3$  دسی بل)، و میزان ارتعاشات آن \* (جمع بردارهای سه جهتی، عدم قطعیت  $K = 1,5$  متر/مجموعه ثانیه) می باشد
- \* در صورت سنبله زنی 3,4 متر/مجموعه ثانیه
- میزان انتشار ارتعاشات بر اساس تست استاندارد شده ای که در EN 12841 معرفی شده است اندازه گیری گردید؛ از این ارقام می توان برای مقایسه یک ابزار با دیگری بعنوان ارزیابی اولیه در معرض فرارگیری ارتعاشات هنگام کار با ابزار در کاربری های فوق استفاده کرد
- استفاده کردن از ابزار برای کاربردهای متفاوت، یا با لوازم و متعلقات متفاوتترقه یا لوازم و متعلقاتی که بد نگهداری شده اند، می تواند میزان در معرض فرارگیری را بطور قابل ملاحظه ای افزایش دهد
- مواقعی که ابزار خاموش است یا روشن است ولی کاری با آن انجام نمی شود، میزان در معرض فرارگیری بطور قابل توجهی کاهش می یابد
- ! با نگهداری مناسب از ابزار و لوازم و متعلقات آن، گرم نگه داشتن دست های خود، و سازمان دهی طرح های کاری می توانید خود را در برابر اثرات ارتعاش محافظت کنید

## عوض کردن متعلقات

- سیم برق را از برق جدا کنید
- متعلقات مورد نیاز را مطابق شکل باز کرده/سوار کنید
- اطمینان حاصل کنید که بازشدگی های متعلقات با زبانه های سر ابزار کاملاً درگیر شده باشند (در هر وضعیت فقلی مکن)
- متعلقات دارای مرکز فنشده را بطوری سوار کنید که رو به پایین باشند
- پیچ B را با آچار آئن A شل/سفت کنید
- محکم بودن متعلقات در محل خود را کنترل کنید (متعلقاتی که نادرست سوار شده یا محکم نشده باشند در حین کار شل شده و ایجاد خطر خواهند کرد)

## سوار کردن کاغذ سنبله ⑧

- قبل از قرار دادن صفحه سنبله C باید گرد و غبارهای جمع شده در بخش ولکرو (چسبی) صفحه سنبله را پاک کنید
- کاغذ سنبله چسبی را مطابق شکل قرار دهید D
- ! به دلیل قابلیت مکش گرد و غبار این دستگاه باید حتماً از کاغذ سنبله های سوراخدار استفاده کنید
- ! سوراخهای روی کاغذ سنبله باید با سوراخهای زیره دستگاه سنبله زن هماهنگی داشته باشد

## کاغذ سنبله های مستعمل را به موقع عوض کنید

- ! همیشه موقع استفاده از ابزار باید کل سطح ولکرو (چسبی) آن با کاغذ سنبله پوشیده شده باشد
- مکش گرد و غبار ④
- ! سیم برق را از برق جدا کنید

- از وسیله مکش گرد و غبار E فقط در زمان کار با صفحه سنبله C استفاده کنید
- وسیله مکش گرد و غبار E را مطابق شکل سوار کنید

- جاروبرقی را وصل کنید
- ! هنگام سنبله زنی فراموش نباید از وسیله مکش گرد و غبار/جاروبرقی استفاده کنید

- وسیله مکش گرد و غبار E را بطور مرتب تمیز کنید تا بازدهی جمع آوری گرد و غبار آن در حد مناسب حفظ گردد
- روشن/خاموش

- ابزار را با فشار دادن کلید F ① به وضعیت "0/1" روشن/خاموش کنید
- ! ابزار باید پیش از اینکه متعلقات به قطعه کار برسند، به دور کامل خود رسیده باشد

- ! ابزار را باید قبل از خاموش کردن از روی قطعه کاری برداشت
- تنظیم سرعت کار ⑤

- با کلید الکترونیکی G می توان فرکانس نوسان مورد نیاز را از حد کم (1) تا زیاد (2) تنظیم کرد (حتی موقعی که ابزار در حال کار است)
- دور بهینه به نوع مواد بستگی داشته و با آزمایش های عملی مشخص می گردد

- چراغ ⑩ LED
- چراغ LED در صورت فعال شدن کلید F بطور خودکار روشن می شود

- نگهداشتن و هدایت ابزار ⑪
- ! هنگام کار باید همیشه ابزار را از دستگیره (های) خاکستری رنگ بگیرید

- شیارهای تهبویه H را مسدود نکنید
- فشار بیش از حد به ابزار وارد نکنید (فشار بیش از حد گرمای زیادی تولید کرده و عمر مفید متعلقات را کاهش خواهد داد)

- وسیله تنظیم عمق (IM (DEPTH STOP) (غیر استاندارد گنجانده شده) ⑫

## توصیه های کاربردی

- برای بدست آوردن بهترین نتیجه روی مواد مختلف از جدول ⑬ بعنوان مرجع برای تعیین متعلقات صحیح استفاده کنید (متعلقات بطور استاندارد همراه ابزار نیستند)
- برای نکات بیشتر به [www.skil.com](http://www.skil.com) مراجعه کنید

## نگهداری / سرویس- خدمات

- این ابزار برای مصارف حرفه ای مناسب نیست
- همیشه ابزار و سیم برق را تمیز نگه دارید (بخصوص شیارهای تهبویه H ⑭)
- ! پیش از تمیز کردن سیم برق را از برق بکشید

دستگاه انگشت شما روی دکمه قطع و وصل باشد و یا دستگاه را در حالت روشن به برق نزنید. مکن است سوانح کاری پیش آید.

ث) قبل از روشن کردن ابزار الکتریکی، باید همه ابزارهای تنظیم کننده و آچارها را از روی دستگاه بردارید. ابزار آچارهایی که روی بخش های چرخنده دستگاه قرار دارند می توانند باعث ایجاد جراثیم شوند.

ج) بیش از حد به آنها نزدیک نشوید. برای کار جای مطمئن برای خود انتخاب کرده و تعادل خود را همواره حفظ کنید. به این ترتیب می توانید ابزار الکتریکی را در وضعیت های غیرمنتظره بهتر تحت کنترل داشته باشید.

ح) لباس مناسب بپوشید. پوشیدن لباس های فراخ و حمل زینت آلات خود داری کنید. موها، لباس و دستکش ها را از بخش های درحال چرخش دستگاه دور نگهدارید. لباس های فراخ، موی بلند و زینت آلات ممکن است در قسمت های درحال چرخش دستگاه گیر کنند.

خ) در صورتیکه می توانید وسایل مکش گرد و غبار و یا وسیله جذب زائده را به دستگاه نصب کنید. باید مطمئن شوید که این وسایل نصب و درست استفاده می شوند. استفاده از وسایل مکش گرد و غبار مصونیت شما را در برابر گرد و غبار زیاد تر می کند.

د) اجازه ندهید آشنایی و تسلط حاصل از استفاده مکرر از ابزارها باعث شود احساس نیاز به رعایت قواعد نکرده و به قوانین ایمنی ابزار بی توجهی کنید یک عمل از روی بی دقتی می تواند در کسری از ثانیه موجب جراحت شدید شود استفاده صحیح از ابزار الکتریکی و مراقبت از آن

ا) از وارد کردن فشار زیاد روی دستگاه خود داری کنید. برای هر کاری، از ابزار الکتریکی مناسب با آن استفاده کنید. بکار گرفتن ابزار الکتریکی مناسب باعث می شود که بتوانید از توان دستگاه بهتر و با اطمینان بیشتر استفاده کنید.

ب) در صورت تری در کلمه قطع و وصل ابزار برقی، از دستگاه استفاده نکنید. ابزار الکتریکی که نمی توان آنها را قطع و وصل کرد، خطرناک بوده و باید تعمیر شوند.

ت) قبل از تنظیم ابزار الکتریکی، تعویض متعلقات و یا کنار گذاشتن آن، دوشاخه را از برق کشیده و یا باطری آنرا خارج کنید. رعایت این اقدامات پیشگیری ایمنی از راه افتادن ناخواسته ابزار الکتریکی جلوگیری می کند.

ث) ابزار الکتریکی را در صورت عدم استفاده، از دسترس کودکان دور نگهدارید. اجازه ندهید که افراد نا وارد و یا اشخاصی که این دفتر چه راهنما را نخوانده اند، با این دستگاه کار کنند. قرار گرفتن ابزار الکتریکی در دست افراد ناوارد و بی تجربه خطرناک است.

ج) از ابزار الکتریکی خوب مراقبت کنید. مواظب باشید که قسمت های متحرک دستگاه خوب کار کرده و گیر نکنند. همچنین دقت کنید که قطعات ابزار الکتریکی کثیف و یا آسیب دیده نباشند. قطعات آسیب دیده را قبل از شروع به کار تعمیر کنید. علت بسیاری از سوانح کاری، عدم مراقبت کامل از ابزارهای الکتریکی می باشد.

ح) ابزار برش را تیز و تمیز نگهدارید. ابزار برشی که خوب مراقبت شده و از لبه های تیز برخوردارند، کمتر در قطعه کار گیر کرده و بهتر قابل هدایت می باشند.

خ) ابزارهای الکتریکی، متعلقات، ابزار که روی دستگاه نصب می شوند و غیره را مطابق دستورات این جزوه راهنما طوری به کار بگیرید که با مدل این دستگاه تناسب داشته باشند. همچنین به شرایط کاری و نوع کار توجه کنید. کاربرد ابزار برقی برای موارد کاری که برای آن در نظر گرفته نشده است، میتواند شرایط خطرناکی را منجر شود.

د) دسته ها و سطوح دستگیره ها را خشک، تمیز و عاری از روغن و گریس نگه دارید با دسته ها و سطوح دستگیره های لیز نمی توان در شرایط غیرمنتظره بطور ایمن با ابزار کار کرد و کنترل آنرا داشت

ه) سرویس

ا) برای تعمیر ابزار الکتریکی فقط به متخصصین حرفه ای رجوع کرده و از وسایل بدکی اصل استفاده کنید. این باعث خواهد شد که ایمنی دستگاه شما تضمین گردد.

#### هشدارهای ایمنی برای ابزارهای چند منظوره

- عمومی
- افراد کمتر از ۱۶ سال نباید با این دستگاه کار کنند
- سیم های رابط برق باید کاملاً باز شده و ایمن باشند. از سیم هایی با رده بندی ۱۶ آمپر
- همیشه مطمئن شوید که ولتاژ ورودی دستگاه برابر ولتاژی باشد که روی پلاک دستگاه نوشته شده است
- پیچ ها، میخ ها و سایر اجزا دیگر می توانند به قطعه کاری شما آسیب بزنند؛ بنابراین پیش از شروع کار آنها را بردارید

- گرد و خاک که از مواد مانند رنگ های حاوی سرب، برخی گونه های چوب، مواد معدنی و فلزات بلند می شود می تواند خطرناک باشد (تاس با این گرد و خاکها و یا تنفس آنها می تواند در کاربران ابزار یا افراد نزدیک به محل کار واکنش های حساسیتی و/یا بیماری ایجاد کند؛ یک ماسک مخصوص گرد و خاک بزنید و در صورت امکان از یک وسیله مکش گرد و خاک استفاده کنید
- برخی از گرد و خاکها (مانند گرد و خاک که از چوب بلوط یا راش بلند می شود) علی الخصوص در مجاورت افزودنی های مخصوص چوب، سرطان زا هستند؛ یک ماسک مخصوص گرد و خاک بزنید و در صورت امکان از یک وسیله مکش گرد و خاک استفاده کنید

از مقررات ملی مربوط به گرد و خاک موادی که می خواهید با آنها کار کنید پیروی نمایید

از گیره یا هر روش عملی و مطمئن دیگر برای محکم کردن قطعه کار روی یک سطح پایدار استفاده کنید (اگر قطعه کار را با دست نگه دارید یا به بدن خود تکیه دهید، امکان دارد کنترل کار را از دست بدهید)

با موادی حاوی آزنیتس کار نکنید (آزنیتس سرطان زا است)

همیشه باید سیم برق را هنگام استراحت یا وقفه های بین کار یا پیش از تمیز کردن، انجام کارهای نگهداری، تنظیمات و یا عوض کردن متعلقات از پریز بکشید تا خطر شروع به کار اتفاقی ابزار کاهش یابد

همیشه موقع کار باید ابزار را با هر دو دست خیلی محکم گرفته و در حالت مطمئن بایستید

همیشه سیم برق را از بخشهای متحرک ابزار دور بگیرید؛ سیم را به سمت پشت، دور از ابزار بگیرید

هنگام عوض کردن متعلقات از دستکش ایمنی استفاده کنید (تاس با متعلقات می تواند باعث جراحت شود)

در صورت بروز اشکالات برقی یا مکانیکی، فوراً ابزار را خاموش کرده و سیم برق آنرا از پریز بکشید

اگر سیم برق آسیب دیده یا بریده شده باشد، هرگز به سیم دست نزنید. اما فوراً هرگز وقتی که سیم آسیب دیده است از ابزار استفاده نکنید؛ باید آنرا با یک سیم آماده مخصوص که از مراکز خدمات پس از فروش ابزارهای الکتریکی SKIL قابل تهیه است عوض کنید و کار تعویض باید توسط اشخاص واجد شرایط انجام گردد

وقتی که کار شما با برار تمام شد، حتماً موتور آنرا خاموش کرده و مطمئن شوید که تمام بخشهای متحرک آن از حرکت ایستاده اند

#### هنگام اهر کاری برش

هنگام استفاده از ابزار در مواردی که امکان دارد متعلقات برش با سیم های پنهان شده یا سیم های خود ابزار تماس پیدا کنند. حتماً ابزار را از جای دست های مخصوص عایق شده بگیرید (تاس متعلقات برش با سیم های "برق دار" می تواند در بخش های فلزی دستگاه نیز جریان "برق" تولید کرده و موجب شوک برقی استفاده کننده شود)

دست های خود را از ناحیه برش دور نگه دارید؛ هرگز هنگام برش به هیچ دلیلی دست خود را زیر قطعه کار نبرید

برای پیدا کردن سیم و لوله های پنهان از دستگاه های دکتور مناسب استفاده کرده یا با شرکت های آب و برق و گاز محلی تماس گرفته و از آنها کمک بخواهید (تاس با سیم های برق موجب آتش سوزی و برق گرفتگی می شود؛ آسیب رساندن به لوله های گاز سبب انفجار می شود؛ سوراخ کردن لوله های آب به ساختمان آسیب رسانده و موجب خطر برق گرفتگی می شود)

اگر تیفه اهر ترک دارد، تغییر شکل یافته یا کند شده است از آن استفاده نکنید

هنگام سنباده زنی

از این ابزار فقط برای سنباده زنی خشک استفاده کنید (نمود آبه به ابزار خطر برق گرفتگی را افزایش خواهد داد)

به کاغذ متحرک سنباده دست نزنید

از کاغذ سنباده های مستعمل، پاره یا انباشته از ذرات استفاده نکنید

هنگام سنباده زنی فلزات، جرقه تولید می شود؛ از جاربورقی استفاده نکرده و افراد دیگر و مواد قابل اشتعال را از محل کار دور نگه دارید

#### شرح علائم و نمادهای روی ابزار

این ابزار می تواند با اکثر متعلقات موجود برای ابزارهای چندمنظوره، از متعلقات موجود OIS و متعلقات پایه Starlock کار کند

پیش از کار حتماً دفترچه راهنما را مطالعه کنید

عایق دوگانه (نیازی به سیم اتصال به زمین - ارت نیست)

ابزار را همراه زائله های خانگی دور نیندازید

- إذا تعذر تشغيل الأداة على الرغم من الحذر الشديد في إجراءات التصنيع والاختبار. فيجب القيام بالإصلاحات بواسطة مركز خدمة ما بعد البيع لأدوات الطاقة التابع لشركة SKIL.
- قم بإرسال الأداة دون تفكيكها بالإضافة إلى إثبات الشراء إلى البائع أو أقرب محطة خدمة SKIL (العناوين بالإضافة إلى مخطط الخدمة متاحان على [www.skil.com](http://www.skil.com))
- كن على علم بأن التلف الناتج عن زيادة التحميل أو التعامل مع الأداة بطريقة خاطئة سيتم استثنائه من الضمان (العقوبة شريطة ضمان SKIL انظر [www.skil.com](http://www.skil.com) أو قم بسؤال بائع المعدات)

## البيئة المحيطة

- لا تتخلص من الأدوات الكهربائية والملحقات ومواد التغليف مع النفايات المنزلية (الدول الأخاد الأوروبي فقط).
- وفقًا للتوجيه الأوروبي ٢٠١٢/١٩/٤٠ حول نفايات المعدات الكهربائية والإلكترونية وتطبيقه بالتوافق مع القانون المحلي. يجب جمع الأدوات الكهربائية منتهية الصلاحية بشكل منفصل وإرسالها إلى أحد منشآت إعادة التصنيع المتوافقة مع البيئة
- سيذكرك الرمز ① بهذا عند الحاجة إلى التخلص من أية أداة.

## الضوضاء / الاهتزاز

- عند القياس بالتوافق مع EN ٦٢٨٤١ يكون مستوى ضغط صوت هذه الأداة هو ٨١,٥ ديسيبل(أ) ومستوى صوت الطاقة ٩٧,٥ ديسيبل (أ) (الاحتمالية  $K = ٣$  ديسيبل).
- والاهتزاز \* (مجموعة الكميات الوجهة: الاحتمالية  $K = ١,٥$  م/ث<sup>٢</sup>) أثناء الضفيرة ٣,٤ م/ث<sup>٢</sup>
- \* تم قياس مستوى الاهتزازات بالتوافق مع الاختبار المعياري المحدد في EN ٦٢٨٤١. يمكن استخدامه لمقارنة أداة بأداة أخرى وكتقييم عملي للتعرض للاهتزاز عند استخدام الأداة في التطبيقات الموضحة:
- قد يؤدي استخدام الأداة في تطبيقات مختلفة أو مع ملحقات مختلفة أو ذات صيانة رديئة إلى زيادة مستوى التعرض بصورة كبيرة:
- إن الفترة الزمنية التي يتم خلالها إيقاف تشغيل الأداة أو عندما تكون قيد التشغيل لكنها لا تؤدي أية مهام. تؤدي إلى تقليل مستوى التعرض بصورة كبيرة.
- ! قم بحماية نفسك من تأثيرات الاهتزاز من خلال صيانة الأداة وملحقاتها. والحفاظ على يديك دافنتين وتنظيم أعطاك العمل لديك:

FA

## هروطنم دنج رازبا

### مقدمه

- این ابزار برای آره کاری و برش چوب، پلاستیک، گچ، فلزات و کاشی های نرم دیواری و نیز سنباده زنی خشک و تراشیدن سطوح کوچک طراحی شده است
- عمل مخصوص برای کار در نزدیکی لبه ها و برای برش همسطح مناسب می باشد
- این ابزار برای مصارف حرفه ای مناسب نیست
- این ابزار می تواند با اکثر متعلقات موجود برای ابزارهای چندمنظوره. از جمله OIS و Starlock لوارم جانسی ①
- لطفاً این دفترچه راهنما را مطالعه کرده و نگهدارید ④

## اطلاعات فنی ①

### اجزای ابزار ②

- A آچار آلن
- B پیچ گیره واشر دار
- C صفحه سنباده
- D صفحه سنباده
- E وسیله مکش گرد و غبار
- F کلید روشن/خاموش
- G کلید گردان انتخاب سرعت
- H شیارهای تهویه
- J چراغ DEL

- K تیغه آره قطعه ای \*
- L تیغه آره برش عمقی
- M وسیله تنظیم عمق \*
- \* بصورت استاندارد ارائه نشده است

## ایمنی

راهنمای های ایمنی عمومی برای ابزارهای الکتریکی

**FA هشدار تمامی هشدارهای ایمنی، دستورالعمل ها، تصاویر و مشخصات فنی ارائه شده همراه با این ابزار الکتریکی را مطالعه کنید در صورت عدم رعایت هشدارهای زیر خطر برق گرفتگی، آتش سوزی و آیا بروز جراحات های شدید وجود خواهد داشت.**

همه هشدارها و راهنمایی ها را برای استفاده آتی نگهداری کنید.

در این هشدارها عبارت "ابزار الکتریکی" به معنی ابزارهای الکتریکی فاقد باتری (با سیم برق) و یا ابزارهای الکتریکی باتری دار (شارژی) است

ایمنی محل کار

- 1) محل کار خود را تمیز، مرتب و مجهز به نور کافی نگهدارید. محیط کار نامرتب و کم نور میتواند باعث سوانح کاری شود.
- 2) با ابزار الکتریکی در محیط هایی که در آن خطر انفجار وجود داشته و حاوی مایعات، گازها و غبارهای محترقه باشد. کار نکنید. ابزارهای الکتریکی جرقه های ایجاد می کنند که می توانند باعث آتش گرفتن گرد و بخار های موجود در هوا شوند.
- 3) هنگام کار با ابزار الکتریکی، کبودکان و سایر افراد را از دستگاه دور نگهدارید. در صورتیکه حواس شما پرت شود. ممکن است کنترل دستگاه از دست شما خارج شود.

ایمنی الکتریکی

- 1) دوشاخه ابزار الکتریکی باید با پریز برق تناسب داشته باشد. هیچگونه تغییری در دوشاخه ندهید. مبدل دوشاخه نباید همراه با ابزار الکتریکی دارای اتصال به زمین (ارت شده) استفاده شود. مبدل دوشاخه نباید همراه با ابزار الکتریکی دارای اتصال به زمین (ارت شده) استفاده شود.
- 2) از تماس بدنی با قطعات دارای سیم اتصال به زمین (ارت شده) مانند لوله، شرفاز، اجاق برقی و یخچال خود داری کنید. در صورتیکه بدن شما با سیم دارای اتصال به زمین (ارت شده) تماس پیدا کند. خطر برق گرفتگی بیشتر خواهد شد.
- 3) دستگاه را از باران و رطوبت دور نگهدارید. نفوذ آب به ابزار الکتریکی. خطر شوک الکتریکی را افزایش می دهد.

4) از سیم به درستی استفاده کنید. از سیم دستگاه برای کارهایی چون حمل ابزار الکتریکی، آویزان کردن آن و یا خارج کردن دوشاخه از پریز استفاده نکنید. دستگاه را در مقابل حرارت، روغن، لبه های تیز و بخش های متحرک دستگاه دور نگهدارید. کابل های آسیب دیده و یا گره خورده خطر شوک الکتریکی را افزایش می دهند.

5) در صورتیکه با ابزار الکتریکی در محیط باز کار می کنید. تنها از کابل را بطی استفاده کنید که برای محیط باز نیز مناسب باشد. کابل های رابط مناسب برای محیط باز، خطر برق گرفتگی را کم می کنند.

6) در صورت لزوم کار با ابزار الکتریکی در محیط و اماکن مرطوب. در اینصورت باید از یک کلید حفاظتی جریان خطا و نشستی زمین (کلید قطع کننده اتصال با زمین) استفاده کنید. استفاده از کلید حفاظتی جریان خطا و نشستی زمین خطر برق گرفتگی را کمتر می کند.

رعایت ایمنی اشخاص

7) حواس خود را خوب جمع کنید. به کار خود دقت کنید و با فکر و هوش کامل با ابزار الکتریکی کار کنید. در صورت خستگی و یا در صورتیکه مواد مخدر، الکل و دارو استفاده کرده اید. با ابزار الکتریکی کار نکنید. یک خطه بی توجهی هنگام کار با ابزار الکتریکی، میتواند جراحات های شدیدی به همراه داشته باشد.

8) همواره از تجهیزات ایمنی شخصی استفاده کنید. همواره از عینک ایمنی استفاده کنید. استفاده از تجهیزات ایمنی مانند ماسک ایمنی، کفش های ایمنی ضد لغزش، کلاه ایمنی و گوشی ایمنی مناسب با نوع کار با ابزار الکتریکی. خطر مجروح شدن را تقلیل می دهد.

9) مواظب باشید که ابزار الکتریکی بطور ناخواسته بکار نیفتد. قبل از وارد کردن دوشاخه دستگاه در پریز برق، اتصال آن به باطری، برداشتن آن و یا حمل دستگاه، باید دقت کنید که ابزار الکتریکی خاموش باشد. در صورتیکه هنگام حمل

أ) **اسمح بتصليح عدتك الكهربائية فقط من قبل التخصصيين فقط**  
**باستعمال قطع الغيار الأصلية.** يؤمن ذلك المحافظة على أمان الجهاز.

**تعليمات السلامة الخاصة بالأدوات متعددة الوظائف**

**معلومات عامة**

- لا يجب استخدام هذه الأداة من قبل الأشخاص الأقل من ١٦ عام;
- استخدم أسلاك تمديد مفكوكة تماماً وأمنة سعة ١٦ أمبير (١٦ أمبير في بريطانيا العظمى)
- تأكد دائماً من أن الفولت المزود هو نفسه المشار اليه على اللوحة الخاصة بالأداة
- جنب التلف الذي قد تتسبب فيه البراغي والمسامير والعناصر الأخرى الموجودة في القطعة التي تعمل بها. قم بشكهم قبل بدء العمل;
- الغبار الناتج من المواد كالإطلام الذي يحتوي على رصاص وبعض أنواع الأخشاب والمعادن والمكونات المعدنية قد يكون ضاراً (ملامسة أو استنشاق الغبار قد تتسبب في إصابة المتفعل أو من يجاوره بأمراض الحساسية وأو أمراض الجهاز التنفسي);
- قم بارتداء قناع للغبار مع العمل باستخدام جهاز شفط للغبار. طالما أمكن توصيله
- ثمة أنواع معينة من الغبار تصنف على أنها مواد مسببة للسرطان (مثل غبار خشب البلوط والزان) خاصة عند استخدامها مع مواد مضافة لمعالجة الخشب. قم بارتداء قناع للغبار مع العمل باستخدام جهاز شفط للغبار. طالما أمكن توصيله
- الزم بالمتطلبات الوطنية الخاصة بالغبار عند العمل باستخدام المواد المطلوبة
- استخدم المحطات أو وسيلة عملية أخرى لتثبيت قطعة العمل بمنصة ثابتة ودعمها (الإمساك بقطعة العمل في يدك أو مقابل جسمك قد يؤدي إلى فقدان التحكم);
- لا تعمل باستخدام مواد تشتمل على الأسبستوس (يعتبر الأسبستوس مادة مسرطنة);
- قم دوها بفصل القابس من مصدر الطاقة أثناء فترات توقف العمل أو قبل التنظيف والصيانة وإجراء الضبط وتغيير الملحقات لتقليل خطر بدء تشغيل الأداة عن غير قصد
- أثناء العمل. احكم دائماً الإمساك بالأداة بكلتا يديك مع اتخاذ مسافة أمان: حافظ دائماً على بقاء السلك بعيداً عن الأجزاء المتحركة بالأداة. ووجه السلك للخلف بعيداً عن الأداة;
- استخدم قفازات وقاية عند تغيير الملحقات (ملامسة الملحق قد تتسبب في حدوث إصابات);
- في حالة حدوث خلل كهربائي أو ميكانيكي. أوقف تشغيل الأداة فوراً وافصل القابس;
- في حالة تعرض السلك للتلف أو لقطع أثناء العمل. لا تلمس السلك وافصل القابس فوراً
- جنب تماماً استخدام الأداة عند تلف السلك؛ فيجب استبداله بسلك معد خصيصاً متوفر من خلال أحد مراكز خدمة ما بعد البيع لأدوات الطاقة التابع لشركة SKIL وقيام أحد الأشخاص المؤهلين بذلك
- عندما تضع الأداة جانباً. أوقف تشغيل المحرك وتأكد من توقف جميع الأجزاء المتحركة بشكل تام

**عند النشر/القطع**

- امسك بالأداة الكهربائية بواسطة أسطح إمساك معزولة وذلك عند القيام بأعمال قد تتعرض لمخاطر القطع من خلالها إلى التلامس مع أسلاك غير ظاهرة أو مع السلك الخاص بها (تلامس ملحقات القطع مع سلك متصل بالكهرباء سيؤدي إلى وصول التيار الكهربائي إلى الأجزاء المعدنية المكشوفة وقد يعرض الشغلة لصدمة كهربائية)
- احرص على بقاء يديك بعيداً عن منطقة القطع؛ يحظر نهائيًا مدحًا أسفل المادة لأي سبب أثناء القطع؛
- استخدم كاشفات ملاممة للعثور على خط المرافق أو اطلب شركة المرافق المحلية للحصول على مساعدة التلامس مع خطوط إمداد الكهرباء قد يؤدي إلى حدوث حريق أو صدمة كهربائية؛ وتلف خط الغاز قد يؤدي إلى حدوث انفجار؛ واختراق أنابيب المياه سيستسبب في حدوث ضرر في الممتلكات أو صدمة كهربائية؛
- لا تستخدم وصل مشار يحتوي على شقوق أو معوج أو غير حاد؛

**عند الصنفرة**

- لا تستخدم الأداة سوى للصنفرة الجافة (نفاذ الماء داخل الأداة يزيد خطورة التعرض لصدمة كهربائية)؛
- لا تلمس لوح الصنفرة المتحرك
- لا تستمر في استخدام ألواح الصنفرة الثالثة أو المرصقة أو المسدودة بشكل كبير
- عند صنفرة العمان، تولد شرارة؛ لا تقم باستخدام المكتسة الكهربائية وحرص على بقاء الأفراد والمواد الأخرى القابلة للاشتعال بعيداً عن منطقة العمل؛

**شرح الرموز الموجودة على الأداة**

- ٢ هذه الأداة تتوافق مع معظم الملحقات المتعددة المتاحة. بما في ذلك ملحقات Starlock OIS الحامية والأساسية
- ٤ قم بقراءة دليل الإرشادات قبل الاستخدام
- ٥ العزل المزوج (لا يلزم سلك أرضي)
- ١ لا تتخلص من الأداة مع النفايات المنزلية؛

## الاستخدام

**تغيير الملحقات** ٧

**! أفضل القابس:**

- قم بزاله/تركيب الملحق المطلوب كما هو موضح في الشكل
- تأكد من تعشيق فتحات الملحق في عراوي مقدمة الأداة (أي وضع إبطائي يمكن)
- قم بتركيب الملحق بحيث ينشير المركز المضغوط لأسفل
- قم بفك/ربط البرغي B باستخدام مفتاح مسدس A
- تحقق من إحكام مركز الملحق (الملحقات المثبتة بطريقة غير صحيحة أو غير آمنة قد تفك أثناء التشغيل وتشكل خطراً)؛
- تركيب لوح الصنفرة ٨
- انفض الغبار عن مادة فلكرى على ورقة الصنفرة C قبل تركيب لوح الصنفرة
- قم بتثبيت لوح صنفرة فلكرى D كما هو موضح في الشكل
- يتطلب شفط الأتربة استخدام ألواح صنفرة مثقوبة
- يجب أن تتوافق ثقوب ألواح الصنفرة مع الثقوب الموجودة في طرف الصنفرة
- قم باستبدال ألواح الصنفرة التالفة في الحال
- استخدم دوها الأداة مع سطح فلكرى مغطى بالكامل بورق صنفرة شفط الغبار ٩

**! أفضل القابس:**

- قم باستخدام جهاز شفط الغبار E فقط أثناء العمل مع لوحة الصنفرة C
- ركب جهاز شفط الغبار E كما هو موضح في الشكل
- وصل المكتسة الكهربائية
- لا تستخدم جهاز شفط الغبار/المكتسة الكهربائية عند صنفرة العمان
- نظّف جهاز شفط الغبار E بانتظام للحصول على أداء مثالي لانتفاخ الغبار التشغيلي/إيقاف التشغيل
- قم بتشغيل/إيقاف تشغيل الأداة من خلال دفع المفاتيح F ١ إلى الوضع "تشغيل"/"إيقاف تشغيل"
- قبل ملامسة الملحق لقطعة العمل. يجب أن تعمل الأداة بسرعتها الكاملة؛
- قبل إيقاف تشغيل الأداة. يجب أن ترفعها عن قطعة العمل؛

**١ ضبط سرعة العمل**

- باستخدام العجلة K عن ضبط تردد التنذير المطلوب من منخفض (١) إلى مرتفع (١) (أيضاً أثناء تشغيل الأداة)
- تتوقف سرعة العمل المثالية على المادة ويحدّنها بالتجربة العملية؛
- مصباح ١٠ LED J
- مصباح J يضيء تلقائياً عند تشغيل المفاتيح F
- إمساك الأداة وتوجيهها ١١
- أثناء العمل. امسك الأداة دائماً من منطقة (مناطق) المقبض رمادية اللون؛
- احرص على أن تكون فتحات التهوية H غير مغطاة؛
- لا تضغط بشدة على الأداة (سيؤدي الضغط المفرط إلى الارتفاع المفرط في درجة الحرارة وقد تتسبب في انخفاض العمر الافتراضي للملحق)
- ملحق ضبط العمق (M) (لا يتوفر قياسياً مع الأداة) ١٢

## توصيات الاستخدام

- للحصول على أفضل نتائج على المواد المختلفة قم باستخدام الجدول ١٤ كمرجع لتحديد الملحق الصحيح (لا تتوفر الملحقات قياسياً)
- لمزيد من التفاصيل زر موقعنا [www.skil.com](http://www.skil.com)

## الصيانة / الخدمة

- لم يتم تصميم هذه الأداة للاستخدام الاحترافي؛
- احرص دائماً على نظافة الأداة (وخصوصاً فتحات التهوية H ٢)؛
- أفضل القابس قبل التنظيف



## مقدمة

- هذه الأداة مخصصة لنشر وقطع الخشب والبلاستيك واللصقات والمعادن وبلاط الجدران المفيق وكذلك للصفرة الجافة وكشط الأسطح الصغيرة
- تعتبر مناسبة بشكل خاص للعمل بالقرب من الحواف وللقطع العنيف
- لم يتم تصميم هذه الأداة للاستخدام الاحترافي:
- هذه الأداة تتوافق مع معظم الملحقات للأدوات المتعددة المناحة. بما في ذلك الخالية ملحقات OIS و Starlock ٢
- اقرأ دليل التعليمات وهذا واحتفظ به ٤

## البيانات الفنية ١

## مكونات الأداة ٢

- |   |                            |
|---|----------------------------|
| A | مفتاح سدس                  |
| B | برغي قشط مع فلكة           |
| C | ورقة صفرة                  |
| D | لوح صفرة                   |
| E | جهاز شفط الغبار            |
| F | مفتاح التشغيل/إيقاف        |
| G | عجلة خديج السرعة           |
| H | فتحات التهوية              |
| J | مصباح DEL                  |
| K | نصل منشار قطعي *           |
| L | نصل منشار قطع الغطس        |
| M | ملحق ضبط العمق *           |
| • | لا يتوفر قياسيًا مع الأداة |

## أمان

## تحذيرات السلامة العامة للأداة الكهربائية

١ اقرأ كل تحذيرات السلامة والتعليمات والأشكال الإيضاحية والمواصفات المرتبطة مع هذه الأداة الكهربائية فقد يؤدي الإخفاق في الالتزام بكل التعليمات المبينة فيما يلي إلى التعرض لصدمة كهربائية أو حرق وأو إصابة خطيرة:

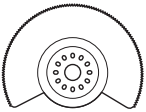
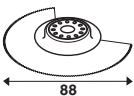

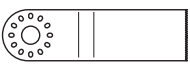
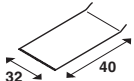

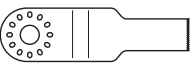
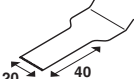

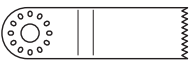
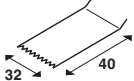

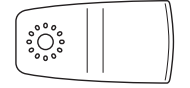
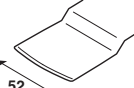

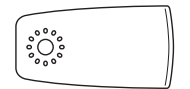
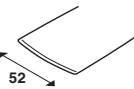

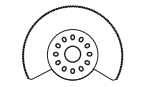
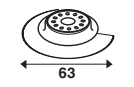

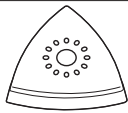
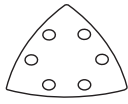
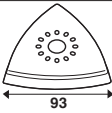

## احتفظ بكل التحذيرات للرجوع إليها في المستقبل

التحذيرات إلى الأداة الكهربائية الخاصة بك التي « الأداة الكهربائية » يشير المصطلح تعمل بطاقة المآخذ الرئيسي) باستخدام سلك( أو بطاقة البطارية بدون سلك):

## ١) الأمان يمكن الشغل

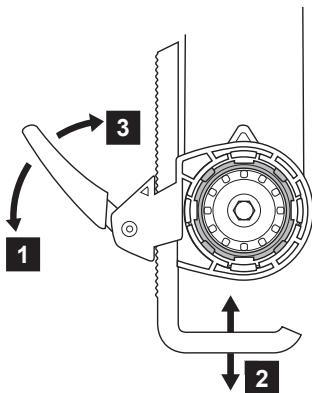
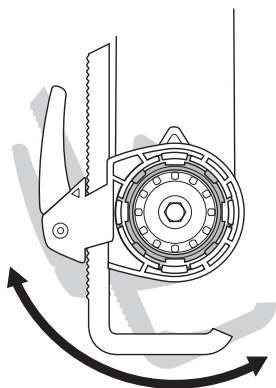
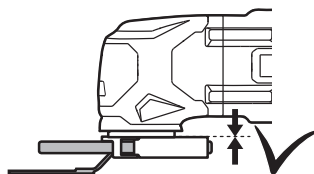
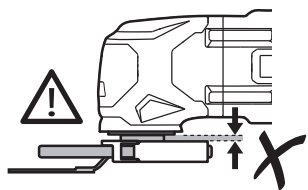
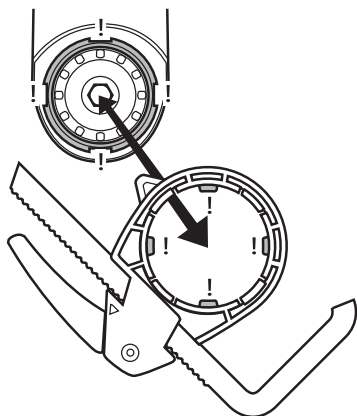
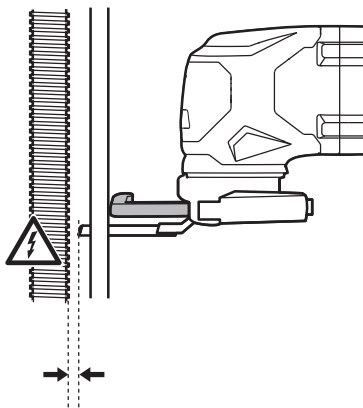
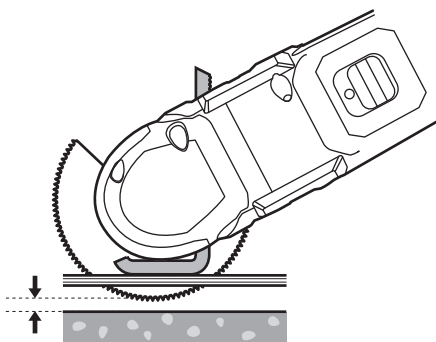
- أ) حافظ على نظافة وحسن إضاءة مكان شغل الوضوء في مكان الشغل ومجالات العمل الغير مضادة قد تؤدي إلى حدوث الحوادث.
- ب) لا تشغل بالعدة الكهربائية في محيط معرض لخطر الانفجار الذي تتوفر فيه السوائل أو الغازات أو الأبخرة القابلة للاشتعال. العدد الكهربائي تشكل الشرر الذي قد يتطاير. فيشعل الأبخرة والأبخرة.
- ت) حافظ على نقاء الأطفال وغيرهم من الأشخاص على بعد عندما تستعمل العدد الكهربائي. قد تفقد السيطرة على الجهاز عند التلهي.
- ٢) الأمان الكهربائي
  - أ) يجب أن يتلاءم قابس وصل العدد الكهربائي مع المقبس. لا يجوز تغيير القابس بأي حال من الأحوال. لا تستعمل القوابس المهيمنة مع العدد الكهربائي المؤرصة تأريخ وقائي. تخفض القوابس التي لم يتم تغييرها والقابس الملائمة من خطر الصدمات الكهربائية.
  - ب) تجنب ملامسة الأسطح المؤرصة كالناييب ورايكتورات التدفئة والمدافئ أو البرادات بواسطة جسمك. يزداد خطر الصدمات الكهربائية عندما يكون جسمك مؤرض.
  - ت) أبعد العدة الكهربائية عن الأمطار أو الرطوبة. يزداد خطر الصدمات الكهربائية إن تسرب الماء إلى داخل العدة الكهربائية.

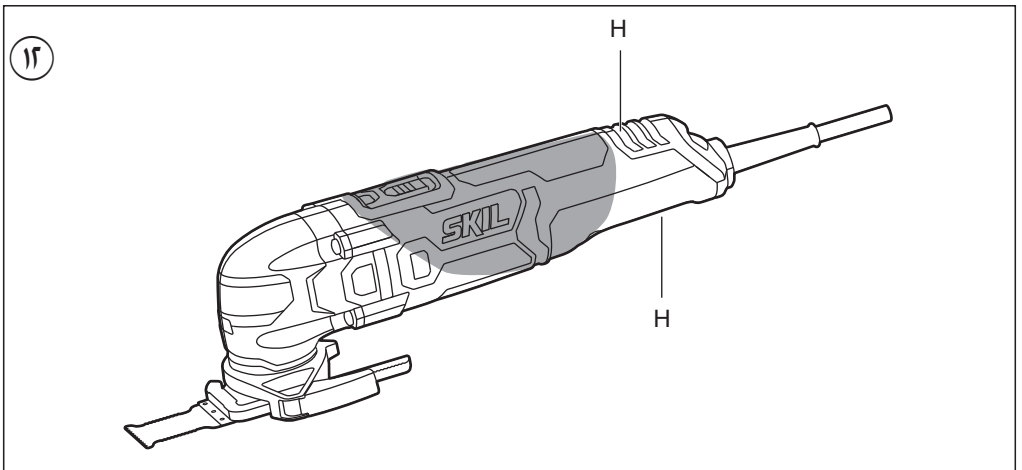
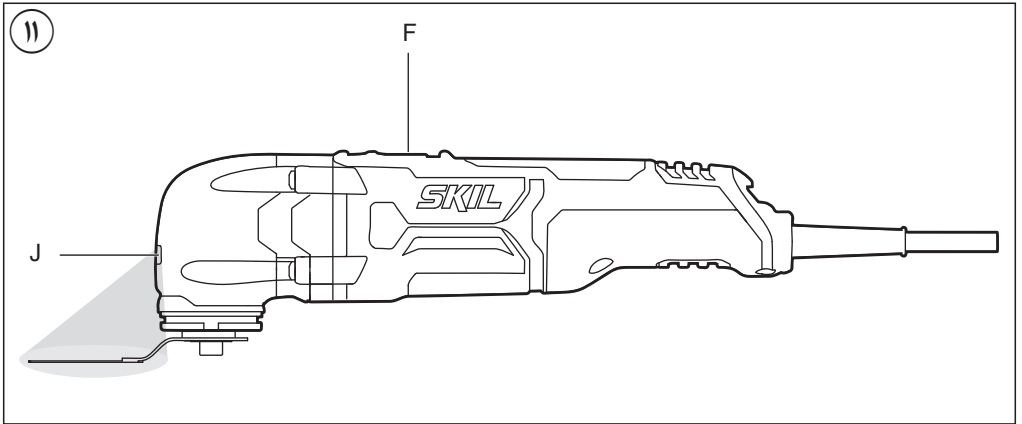
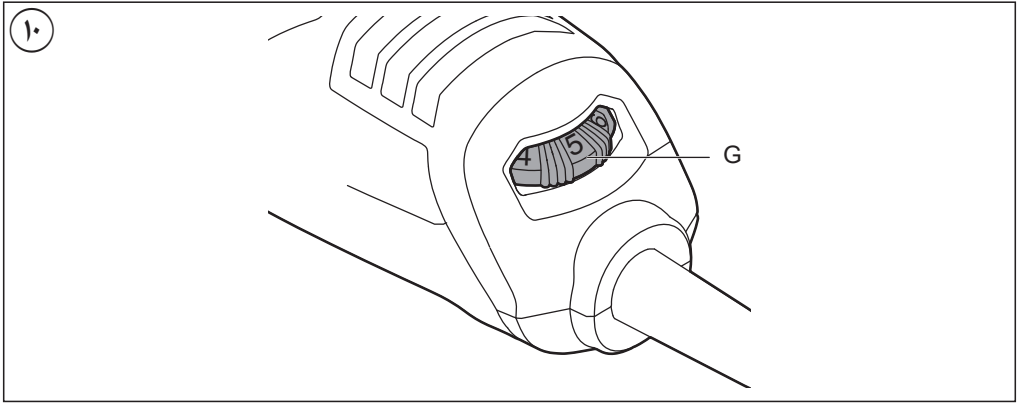
- ت) يجب عدم إساءة استخدام الكابل. لا تسئ استعمال الكابل لحمل العدة الكهربائية أو لتعليقها أو لسحب القابس من المقبس. حافظ على إبعاد الكابل عن الحرارة والزيوت والحواف الحادة أو عن أجزاء الجهاز المتحركة. تزيد الكابلات التالفة أو المتشابكة من خطر الصدمات الكهربائية.
- ج) استخدم فقط كابلات التمديد الصالحة للاستعمال الخارجي أيضا عندما تشغل بالعدة الكهربائية في الحلاء. يخفض استعمال كابل تمديد مخصص للاستعمال الخارجي من خطر الصدمات الكهربائية.
- ح) إن لم يكن بالإمكان عدم تشغيل العدد الكهربائي في الأجواء الرطبة. فاستخدم مفتاح للوقوف من التيار المتردد. إن استخدام مفتاح للوقوف من التيار المتردد يقلل خطر الصدمات الكهربائية.
- ٣) أمان الأشخاص
  - أ) كن يقظا وأنتبه إلى ما تفعله وقم بالعمل بواسطة العدة الكهربائية بتعقل. لا تستخدم عدة كهربائية عندما تكون متعب أو عندما تكون تحت تأثير المخدرات أو الكحول أو الأدوية. عدم الانتباه للحظة واحدة عند استخدام العدة الكهربائية قد يؤدي إلى إصابة خطيرة.
  - ب) ارتد عتاد الوقاية الخاص. وارتد دائما نظارات واقية. يجب ارتداء عتاد الوقاية الخاص كقناع الوقاية من الغبار وأحذية الأمان الواقية من الارتطاق والحود واقية الأذنين. حسب نوع وإستعمال العدة الكهربائية. من خطر الإصابة بجروح.
  - ت) تجنب التشغيل بشكل غير مقصود. تأكد من كون العدة الكهربائية مطفأة قبل وصلها بإمدها التيار الكهربائي و أو بالركم. وقيل رفعها أو حملها. إن كنت تضع إصبعك على المفتاح أثناء حمل العدة الكهربائية أو إن وصلت الجهاز بالشبكة الكهربائية عندما يكون قيد التشغيل. فقد يؤدي ذلك إلى حدوث الحوادث.
  - ث) انزع عدد الضبط أو مفتاح الربط قبل تشغيل العدة الكهربائية. قد تؤدي العدة أو المفاتيح المتواجدة في جزء دوار من الجهاز إلى الإصابة بجروح.
  - ج) تجنب أوضاع الجسم غير الطبيعية. قف بأمان وحافظ على توازنك دائما. سيسمح لك ذلك من السيطرة على الجهاز بشكل أفضل في المواقف غير المتوقعة.
  - ح) ارتد ملابس مناسبة. لا ترتدي الثياب الفضفاضة أو الحلي. حافظ على إبقاء الشعر والنائب والقفازات على بعد عن أجزاء الجهاز المتحركة. قد تتشابك الثياب الفضفاضة والحلي والشعر الطويل بالأجزاء المتحركة.
  - خ) إن جاز تركيب جهاز شفط وجميع الغبار. فتأكد من أنها موصولة وبأنه يتم استخدامها بشكل سليم. قد يقلل استخدام هيزرات لنسفت الأبخرة من الخطر الناتجة عن الأبخرة.
  - د) لا تدع أعبادك على الاستخدام المتكرر للأدوات يسمح لك بتجاهل مبادئ سلامة الأداة: قد يتسبب الاستخدام بدون تكرار في حدوث إصابة بالغة في غضون ثواني:
  - ٤) حسن معاملة واستخدام العدد الكهربائي
    - أ) لا تفرط في حمل الجهاز. إستخدم لتنفيذ أشغالك العدة الكهربائية المخصصة لذلك. إنك تعمل بشكل أفضل وأكثر أمانا بواسطة العدة الكهربائية الملائمة في مجال الأداء المذكور.
    - ب) لا تستخدم العدة الكهربائية إن كان مفتاح تشغيلها تالف. العدة الكهربائية التي لم تعد تسمح بتشغيلها أو بإطافئها خطيرة ويجب أن يتم تصليحها.
    - ت) اسحب القابس من المقبس و / أو انزع المرمك قبل ضبط الجهاز وقبل إستبدال التوابع أو قبل وضع الجهاز جانبًا. تمنع إجراءات الاحتياط هذه تشغيل العدة الكهربائية بشكل غير مقصود.
    - ث) احتفظ بالعدد الكهربائي التي لا يتم استخدامها بعيدا عن متناول الأطفال. لا تسمح باستخدام العدة الكهربائية لمن لاخبرة له بها أو لمن لم يقرأ تلك التعليمات. العدد الكهربائي خطيرة إن تم استخدامها من قبل أشخاص دون خبرة.
    - ج) اعتن بالعدة الكهربائية بشكل جيد. تفحص عما إذا كانت أجزاء الجهاز المتحركة تعمل بشكل سليم وبأنها غير مستعصية عن الحركة أو إن كانت هناك أجزاء مكسورة أو تالفة لدرجة تؤثر فيها على حسن أداء العدة الكهربائية. ينبغي تصليح هذه الأجزاء التالفة قبل إعادة تشغيل الجهاز. الكثير من الحوادث مصدرها العدد الكهربائي التي تم صيانتها بشكل ردي.
    - ح) حافظ على إبقاء عدد القطع نظيفة وحادة. إن عدد القطع ذات حواف القطع الحادة التي تم صيانتها بعناية تكليس بشكل أقل ويمكن توجيهها بشكل أيسر.
    - خ) استخدم العدد الكهربائي والتوابع وعدد الشغل وإخ. حسب هذه التعليمات. تراعى أثناء ذلك شروط الشغل والعمل المراد تنفيذة. استخدام العدد الكهربائي لغير الأشغال المخصصة لأجلها قد يؤدي إلى حدوث الحوادث الخطيرة.
    - د) احرص على جفاف القابض وأسطح الإمساك ونظافتهمما وخولهما من الزيت والشحوم. لا تستخدم الأسطح وأسطح الإمساك الزلقة باستخدام والتحكم الأمان في الأداة في الحالات غير المتوقعة:

<p>١٤</p> <p>*</p> 	 <p>88</p>	
	 <p>32 40</p>	
<p>*</p> 	 <p>20 40</p>	
<p>*</p> 	 <p>32 40</p>	
<p>*</p> 	 <p>52</p>	
<p>*</p> 	 <p>52</p>	
<p>*</p> 	 <p>63</p>	
 	 <p>93</p> <p>60</p> <p>80 *</p> <p>120</p> <p>180</p>	

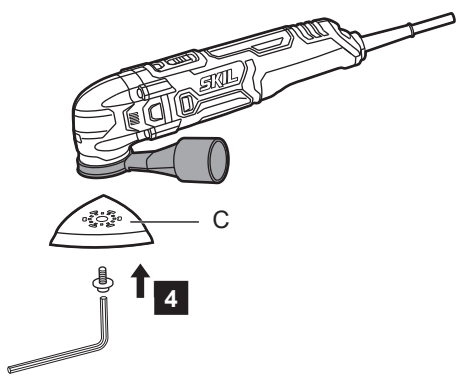
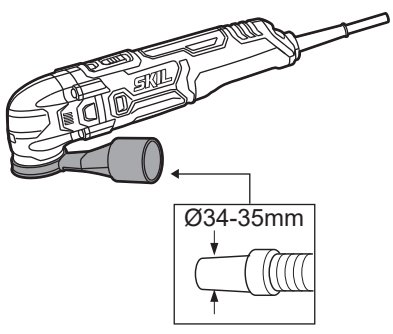
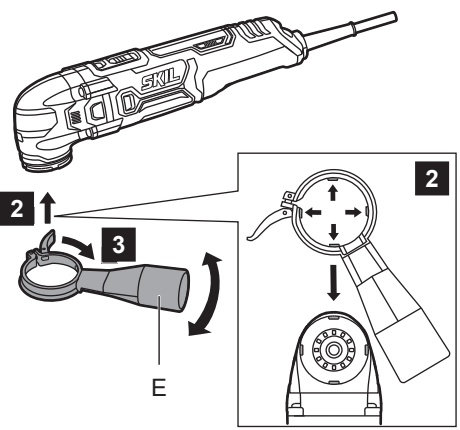
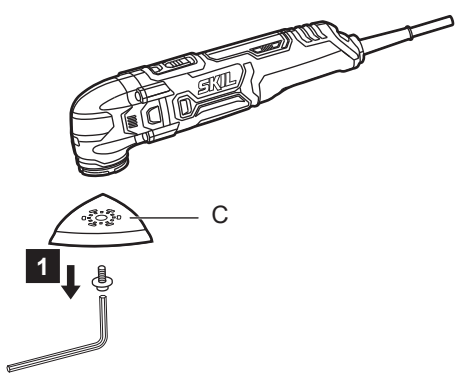
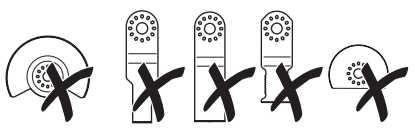
\* قاذل اعم ايس ايقي رفصوت ي ال

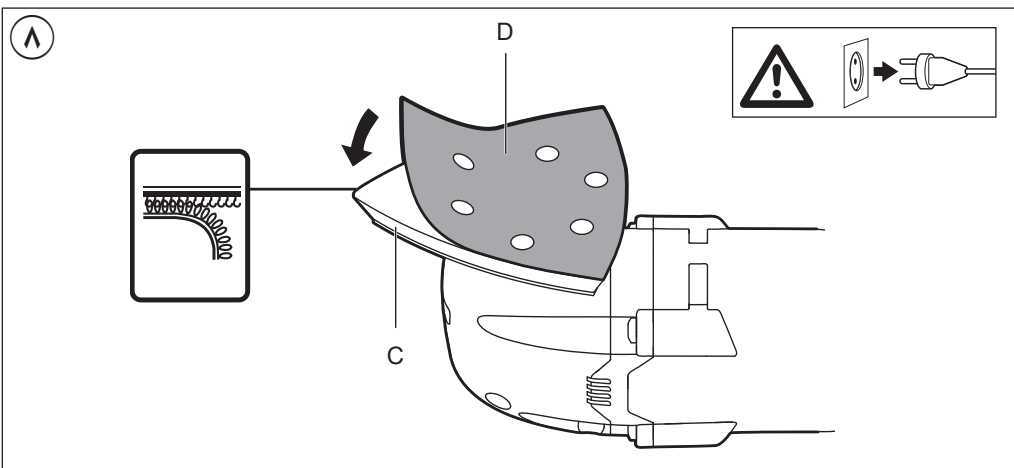
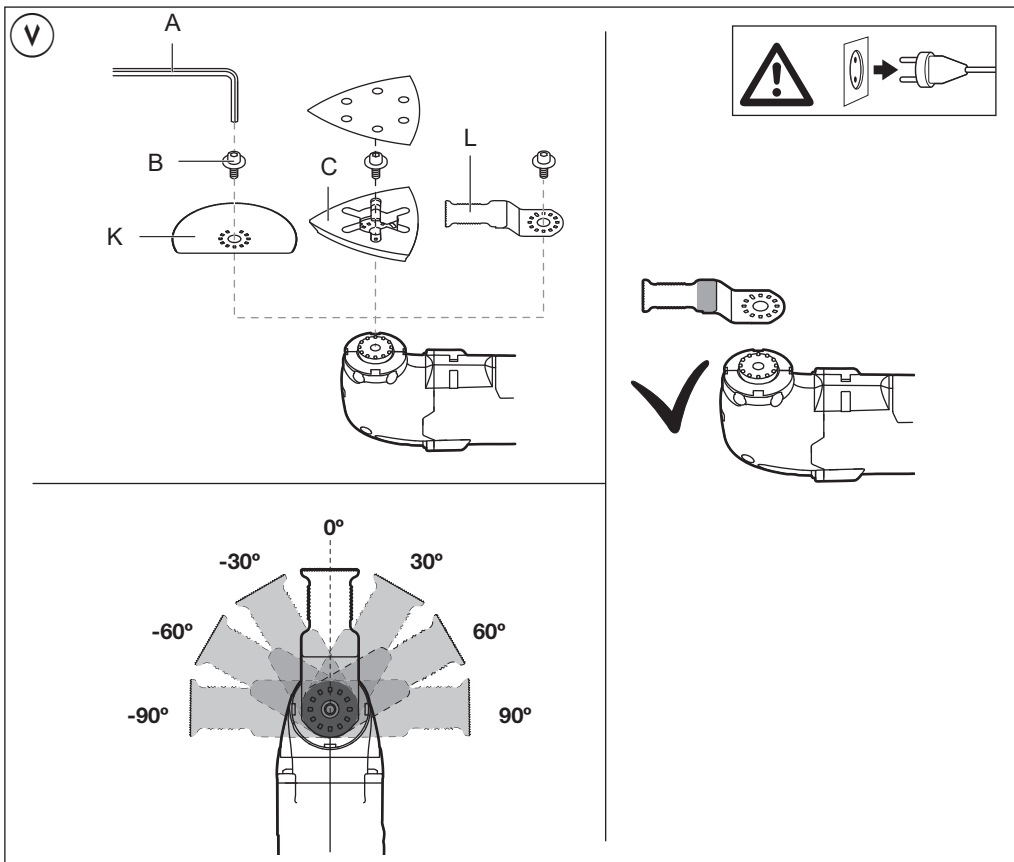
12





9





1

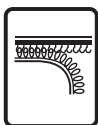
1491

300  
Watt

1,2 kg

$n_0$   
11000-20000  
/min

1,4°  
1,4°

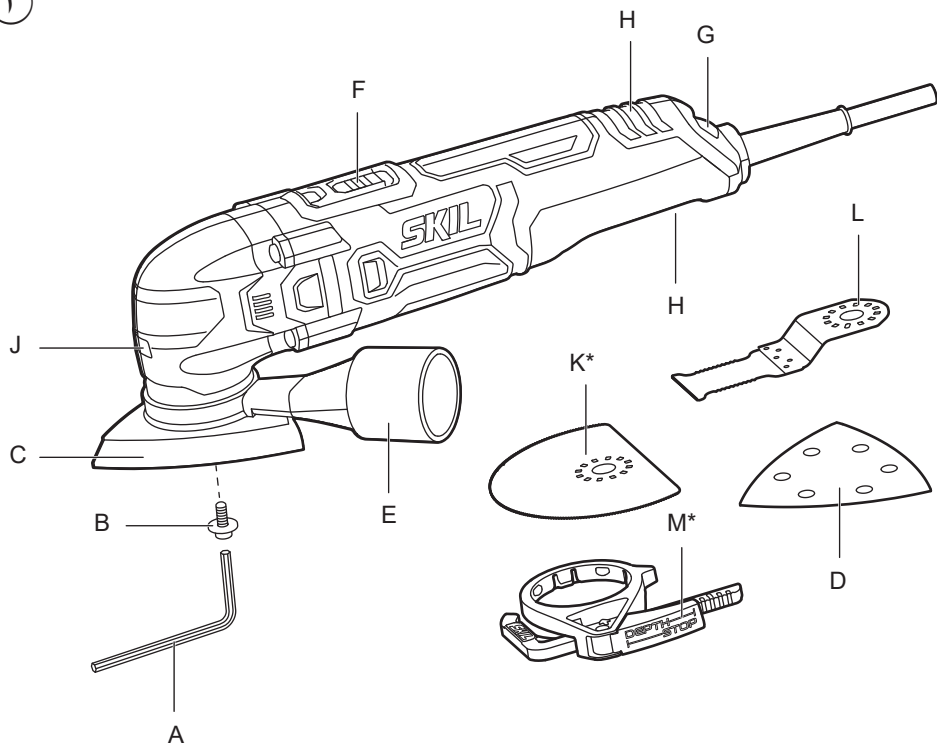


OIS

93 mm

220  
-  
240  
V~  
50-60 Hz

2



\* سادالاً عم آي سا يقي رفوت ي ال

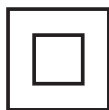
3



4



5



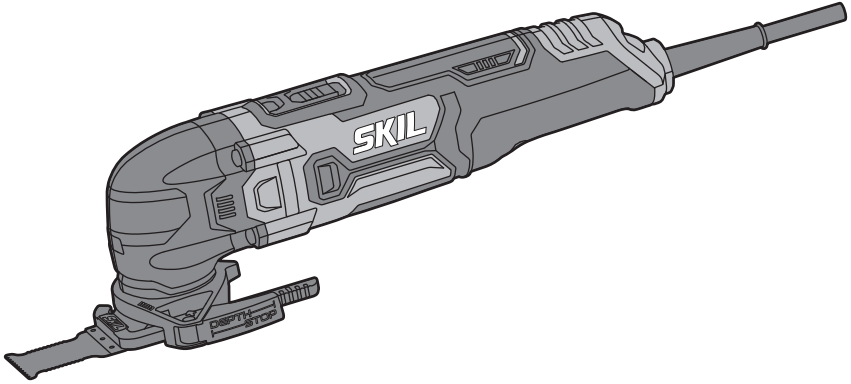
6



أداة متعددة الوظائف

1491

**SKIL®**



دليل الاستعمال

AR

راهنمای اصلي

FA

