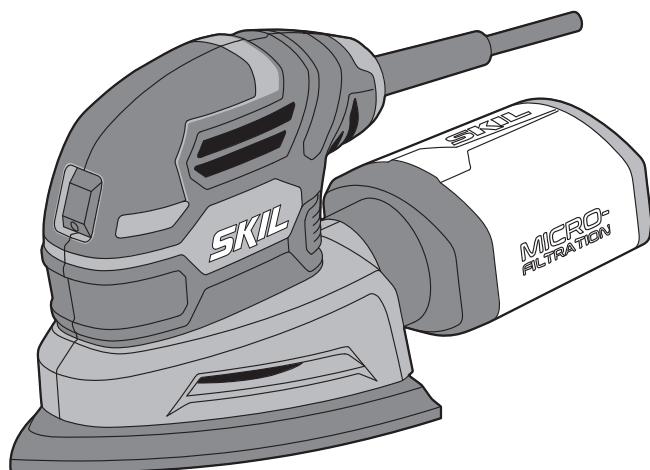


SKIL®

MULTI SANDER 7260 (SR1*7260**)



GB	ORIGINAL INSTRUCTIONS	7	UA	ОРИГІНАЛЬНА ІНСТРУКЦІЯ З ЕКСПЛУАТАЦІЇ	55
F	NOTICE ORIGINALE	9	GR	ΠΡΟΤΟΤΥΠΟ ΟΔΗΓΙΩΝ ΧΡΗΣΗΣ	58
D	ORIGINALBETRIEBSANLEITUNG	12	RO	INSTRUCȚIUNI DE FOLOSIRE ORIGINALE	61
NL	ORIGINELE GEBRUIKSAANWIJZING	16	BG	ОРИГИНАЛНО РЪКОВОДСТВО ЗА ЕКСПЛОАТАЦИЯ	64
S	BRUKSANVISNING I ORIGINAL	19	SK	PŮVODNÝ NÁVOD NA POUŽITIE	68
DK	ORIGINAL BRUGSANVISNING	21	HR	ORIGINALNE UPUTE ZA RAD	71
N	ORIGINAL BRUKSANVISNING	24	SRB	ORIGINALNO UPUTSTVO ZA RAD	73
FIN	ALKUPERÄISET OHJEET	27	SLO	IZVIRNA NAVODILA	76
E	MANUAL ORIGINAL	29	EST	ALGUPÄRANE KASUTUSJUHEND	79
P	MANUAL ORIGINAL	32	LV	ORIĢINĀLĀ LIETOŠANAS PAMĀCĪBA	82
I	ISTRUZIONI ORIGINALI	35	LT	ORIGINALI INSTRUKCIJA	85
H	EREDETI HASZNÁLATI UTASÍTÁS	39	MK	ИЗБОРНО УПАТСТВО ЗА РАБОТА	88
CZ	PŮVODNÍM NÁVODEM K POUŽÍVÁNÍ	42	AL	UDHËZIMET ORIGJINALE	91
TR	ORİJİNAL İŞLETME TALİMATI	44	AR	دليل الاستعمال	100
PL	INSTRUKCJA ORYGINALNA	47	FA	راهنمای اصلی	98
RU	ПОДЛИННИК РУКОВОДСТВА ПО ЭКСПЛУАТАЦИИ	50			



EAC

www.skil.com



GB	EU Declaration of conformity		We declare under our sole responsibility that the stated products comply with all applicable provisions of the directives and regulations listed below and are in conformity with the following standards.
	Multi sander	Article number	Technical file at:*
F	Déclaration de conformité UE		Nous déclarons sous notre propre responsabilité que les produits décrits sont en conformité avec les directives, règlements normatifs et normes énumérés ci-dessous.
	Ponceuse polyvalente	Numéro d'article	Dossier technique auprès de:*
D	EU-Konformitätserklärung		Wir erklären in alleiniger Verantwortung, dass die genannten Produkte allen einschlägigen Bestimmungen der nachfolgend aufgeführten Richtlinien und Verordnungen entsprechen und mit folgenden Normen übereinstimmen.
	Multischleifer	Sachnummer	Technische Unterlagen bei:*
NL	EU-conformiteitsverklaring		Wij verklaren op eigen verantwoordelijkheid dat de genoemde producten voldoen aan alle desbetreffende bepalingen van de hierna genoemde richtlijnen en verordeningen en overeenstemmen met de volgende normen.
	Multi schuurmachine	Productnummer	Technisch dossier bij:*
S	EU-konformitetsförklaring		Vi förklarar under eget ansvar att de nämnda produkterna uppfyller kraven i alla gällande bestämmelser i de nedan angivna direktiven och förordningarna och att de stämmer överens med följande normer.
	Multislipmaskin	Produktnummer	Teknisk dokumentation:*
DK	EU-overensstemmelseserklæring		Vi erklærer som eneansvarlige, at det beskrevne produkt er i overensstemmelse med alle gældende bestemmelser i følgende direktiver og forordninger og opfylder følgende standarder.
	Multisliber	Typenummer	Tekniske bilag ved:*
N	EU-samsvarserklæring		Vi erklærer under eneansvar at de nevnte produktene er i overensstemmelse med alle relevante bestemmelser i direktivene og forordningene nedenfor og med følgende standarder.
	Multisliper	Produktnummer	Teknisk dokumentasjon hos:*
FIN	EU-vaatimustenmukaisuusvakuutus		Vakuutamme täten, että mainitut tuotteet vastaavat kaikkia seuraavien direktiivien ja asetusten asiaankuuluvia vaatimuksia ja ovat seuraavien standardien vaatimusten mukaisia.
	Yhdistelmähiomakone	Tuotenumero	Tekniset asiakirjat saatavana:*
E	Declaración de conformidad UE		Declaramos bajo nuestra exclusiva responsabilidad, que los productos nombrados cumplen con todas las disposiciones correspondientes de las directivas y los reglamentos mencionados a continuación y están en conformidad con las siguientes normas.
	Multilijadora	Número de artículo	Documentos técnicos de:*
P	Declaração de conformidade CE		Declaramos sob nossa exclusiva responsabilidade que os produtos mencionados cumprem todas as disposições e os regulamentos indicados e estão em conformidade com as seguintes normas.
	Lixadeira multifunções	Número do produto	Documentação técnica pertencente a:*
I	Dichiarazione di conformità UE		Dichiariamo sotto la nostra piena responsabilità che i prodotti indicati sono conformi a tutte le disposizioni pertinenti delle direttive e dei regolamenti elencati di seguito, nonché alle seguenti normative.
	Levigatrice multifunzione	Codice prodotto	Documentazione tecnica presso:*
H	EU konformitási nyilatkozat		Egyedüli felelőséggel kijelentjük, hogy a megnevezett termékek megfelelnek az alábbiakban felsorolásra kerülő irányelvek és rendeletek valamennyi idevágó előírásainak és megfelelnek a következő szabványoknak.
	Multicsiszoló	Cikkszám	Műszaki dokumentumok megőrzési pontja:*
CZ	EU prohlášení o shodě		Prohlašujeme na výhradní zodpovědnost, že uvedený výrobek splňuje všechna příslušná ustanovení níže uvedených směrnic a nařízení a je v souladu s následujícími normami.
	Multifunkční bruska	Objednací číslo	Technické podklady u:*
TR	AB Uygunluk beyanı		Tek sorumlu olarak, tanınlan ürünün aşağıdaki yönetmelik ve direktiflerin geçerli bütün hükümlerine ve aşağıdaki standartlara uygun olduğunu beyan ederiz.
	Multi zımpara	Ürün kodu	Teknik belgelerin bulunduğu yer:*
PL	Deklaracja zgodności UE		Oświadczamy z pełną odpowiedzialnością, że niniejsze produkty odpowiadają wszystkim wymaganiom poniżej wyszczególnionych dyrektyw i rozporządzeń, oraz że są zgodne z następującymi normami.
	Szlifierka wielofunkcyjna	Numer katalogowy	Dokumentacja techniczna:*
RU	Заявление о соответствии ЕС		Мы заявляем под нашу единоличную ответственность, что названные продукты соответствуют всем действующим предписаниям нижеуказанных директив и распоряжений, а также нижеуказанных норм.
	Многофункциональная шлифовальная машина	Товарный номер	Техническая документация хранится у:*
UA	Заява про відповідність ЄС		Мизявляємо під нашу одноособову відповідальність, що названі вироби відповідають усім чинним положенням нижчеозначених директив і розпоряджень, а також нижчеозначеним нормам.
	Універсальна шліфувальна машинка	Товарний номер	Технічна документація зберігається у:*

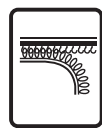
GR	Δήλωση πιστότητας ΕΕ		Δηλώνουμε με αποκλειστική μας ευθύνη, ότι τα αναφερόμενα προϊόντα αντιστοιχούν σε όλες τις σχετικές διατάξεις των πιο κάτω αναφερόμενων οδηγιών και κανονισμών και ταυτίζονται με τα ακόλουθα πρότυπα.
RO	Declarație de conformitate UE	Αριθμός ευρετηρίου	Declaram pe proprie răspundere că produsele menționate corespund tuturor dispozițiilor relevante ale directivelor și regulamentărilor enumerate în cele ce urmează și sunt în conformitate cu următoarele standarde.
BG	ЕС декларация за съответствие	Număr de identificare	С пълна отговорност ние декларираме, че посочените продукти отговарят на всички валидни изисквания на директивите и разпоредбите по-долу и съответства на следните стандарти.
SK	Pôvodnej EU vyhlásenie o zhode	Каталожен номер	Vyhlasujeme na výhradnú zodpovednosť, že uvedený výrobok spĺňa všetky príslušné ustanovenia nižšie uvedených smerníc a nariadení a je v súlade s nasledujúcimi normami.
HR	EU izjava o sukladnosti	Kataloški broj	Pod punom odgovornošću izjavljujemo da navedeni proizvodi odgovaraju svim relevantnim odredbama direktiva i propisima navedenima u nastavku i da su sukladni sa sljedećim normama.
SRB	EU-izjava o usaglašenosti	Broj predmeta	Na sopstvenu odgovornost izjavljujemo, da navedeni proizvodi odgovaraju svim dotičnim odredbama naknadno navedenih smernica u uredbama i da su u skladu sa sledećim standardima.
SLO	Izjava o skladnosti ES	Številka artikla	Izjavljamo pod izključno odgovornostjo, da je omenjen izdelek v skladu z vsemi relevantnimi določili direktiv in uredb ter ustreza naslednjim standardom.
EST	EL-vastavusdeklaratsioon	Tootenumber	Kinnitame ainuvastutajatena, et nimetatud tooted vastavad järgnevalt loetletud direktiivide ja määruste kõiki dele asjaomastele nõuetele ja on kooskõlas järgmistega normidega.
LV	Deklarācija par atbilstību EK standartiem	Izstrādājuma numurs	Mēs ar pilnu atbildību paziņojam, ka šeit aplūkoti izstrādājumi atbilst visiem tālāk minētajās direktīvās un rīkojumos ietvertajām saistošajām nostādņēm, kā arī sekojošiem standartiem.
LT	ES atitikties deklaracija	Gaminio numeris	Atsakingai pareiškiame, kad išvardyti gaminiai atitinka visus privalomus žemiau nurodytų direktyvų ir reglamentų reikalavimus ir šiuos standartus.
MK	EU-Изјава за сообразност	Број на артикл	Со целосна одговорност изјавуваме, дека опишаните производи се во согласност со сите релевантни одредби на следните регулативи и прописи и се во согласност со следните норми.
AL	EU Deklarata e konformitetit	Numri i nenit	Ne deklarojmë me përgjegjësinë tonë të vetme se produktet e paraqitura janë në përputhje me të gjitha dispozitat e zbatueshme të direktivave dhe rregulloreve të listuara më poshtë dhe janë në përputhje me standardet si më poshtë.
7260	SR1*7260**		2006/42/EC 2014/30/EU 2011/65/EU EN 62841-1:2015 EN 62841-2-4:2014 EN 61000-3-2:2014 EN 61000-3-3:2013 EN 55014-1:2006 + A1:2009 + A2:2011 EN 55014-2:2015 EN 50581:2012
			 * Skil BV Konijnenberg 62 4825 BD Breda The Netherlands
			Olaf Dijkgraaf Approval Manager  Skil BV, Konijnenberg 62, 4825 BD Breda, NL 08.10.2018

1

7260

100
Watt

0,81 kg



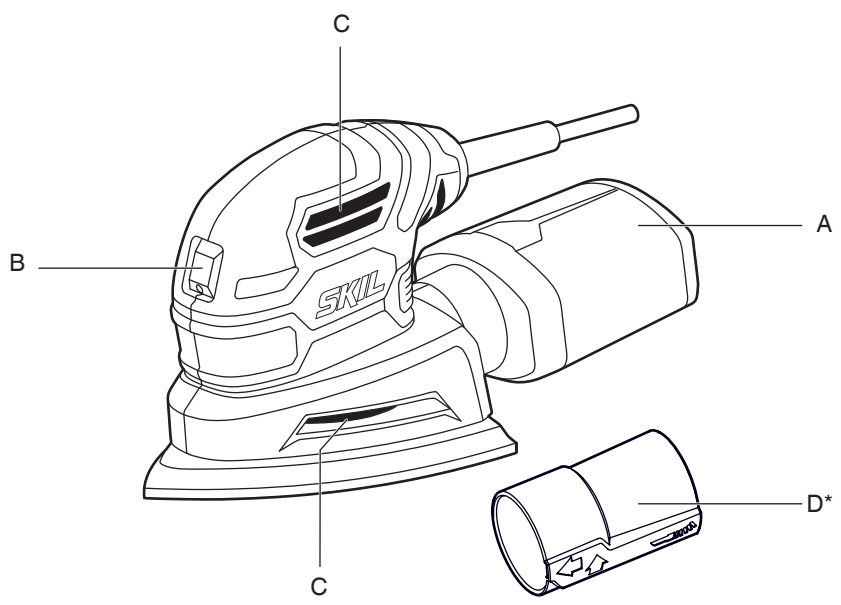
102x151
mm

24000
p/min



220
-
240
V~
50-60 Hz

2

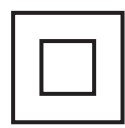


* NOT STANDARD INCLUDED

3



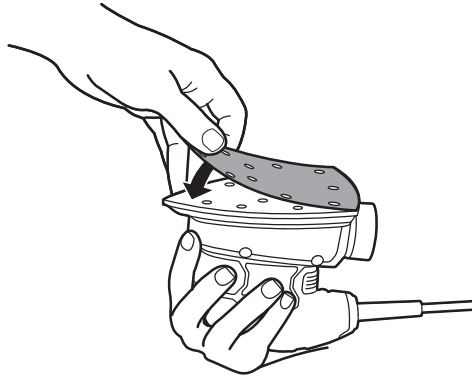
4



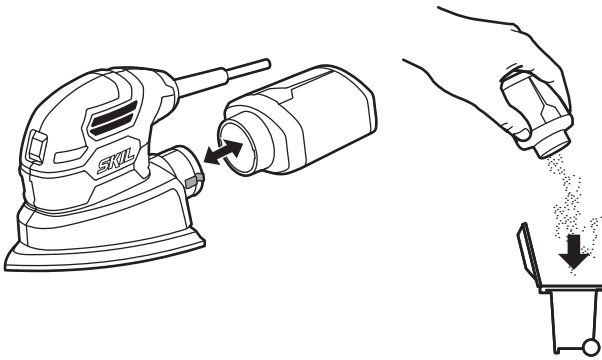
5



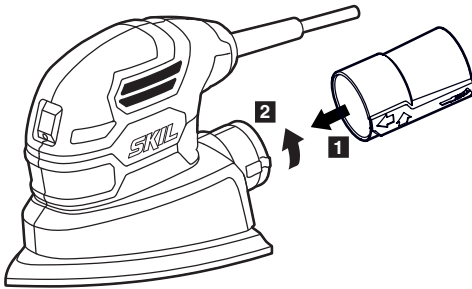
6



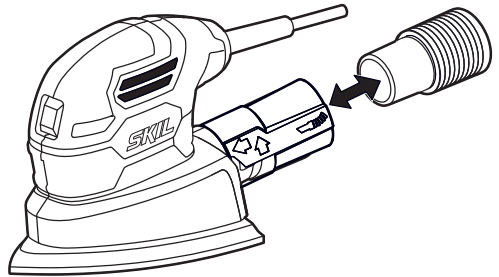
7

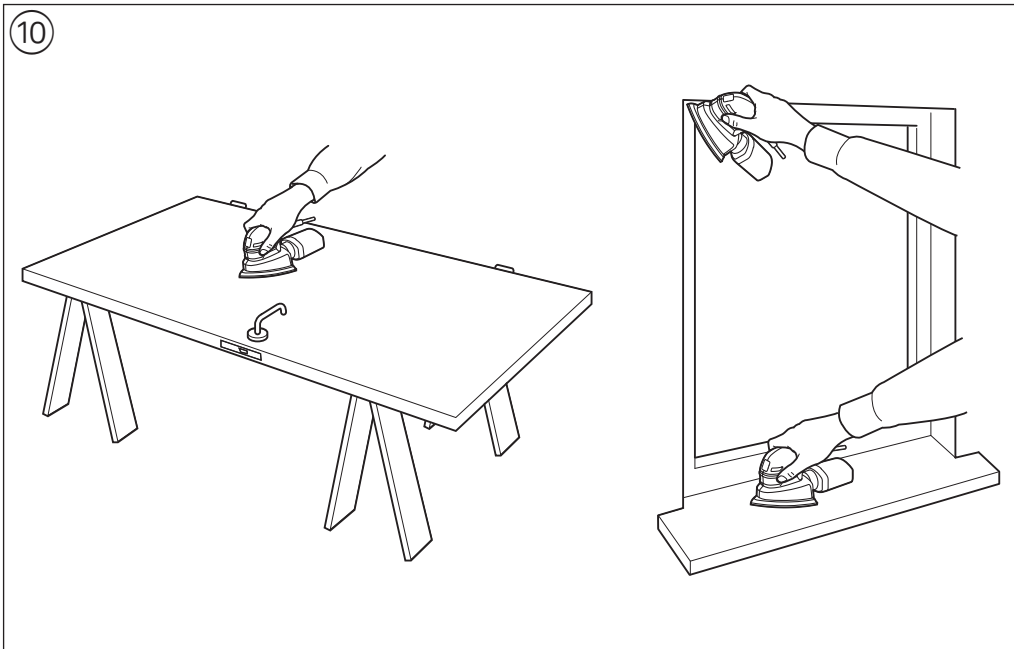
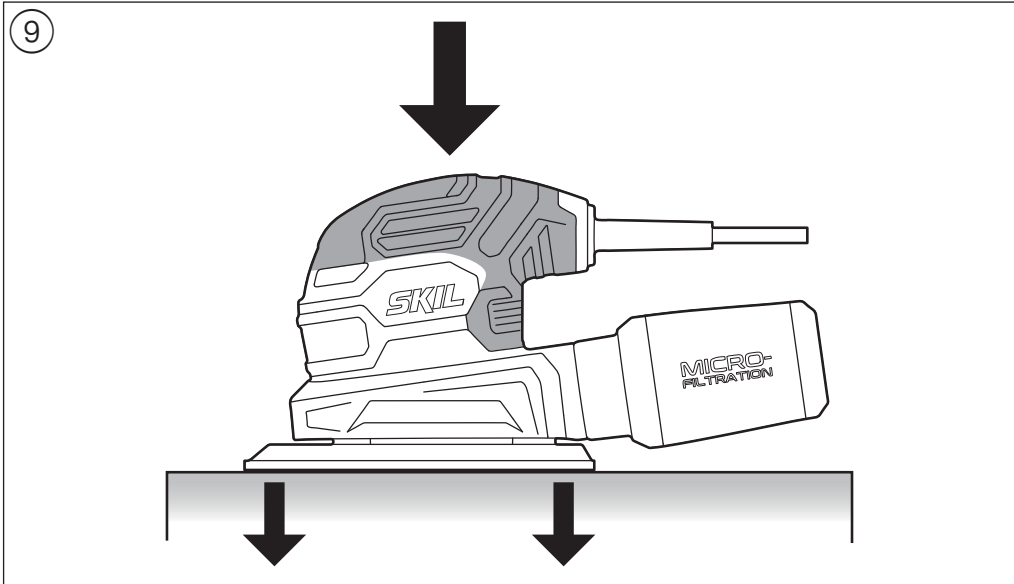


8 a



8 b





ACCESSORIES



WWW.SKIL.COM

Multi sander

7260

INTRODUCTION

- This tool is intended for dry sanding and finishing of wood, painted surfaces, plastic and filler
- This tool is not intended for professional use
- Read and save this instruction manual ③

TECHNICAL DATA ①

TOOL ELEMENTS ②

- A Dust box
 - B On/off switch
 - C Ventilation slots
 - D Vacuum cleaner adapter*
- * NOT STANDARD INCLUDED

SAFETY

GENERAL POWER TOOL SAFETY WARNINGS

⚠ WARNING Read all safety warnings, instructions, illustrations and specifications provided with this power tool. Failure to follow all instructions listed below may result in electric shock, fire and/or serious injury.

Save all warnings and instructions for future reference.

The term "power tool" in the warnings refers to your mains-operated (corded) power tool or battery-operated (cordless) power tool.

1) WORK AREA SAFETY

- a) **Keep work area clean and well lit.** Cluttered or dark areas invite accidents.
- b) **Do not operate power tools in explosive atmospheres, such as in the presence of flammable liquids, gases or dust.** Power tools create sparks which may ignite the dust or fumes.
- c) **Keep children and bystanders away while operating a power tool.** Distractions can cause you to lose control.

2) ELECTRICAL SAFETY

- a) **Power tool plugs must match the outlet. Never modify the plug in any way. Do not use any adapter plugs with earthed (grounded) power tools.** Unmodified plugs and matching outlets will reduce risk of electric shock.
- b) **Avoid body contact with earthed or grounded surfaces such as pipes, radiators, ranges and refrigerators.** There is an increased risk of electric shock if your body is earthed or grounded.
- c) **Do not expose power tools to rain or wet conditions.** Water entering a power tool will increase the risk of electric shock.
- d) **Do not abuse the cord. Never use the cord for carrying, pulling or unplugging the power tool. Keep cord away from heat, oil, sharp edges or moving parts.** Damaged or entangled cords increase the risk of electric shock.

e) **When operating a power tool outdoors, use an extension cord suitable for outdoor use.** Use of a cord suitable for outdoor use reduces the risk of electric shock.

f) **If operating a power tool in a damp location is unavoidable, use a residual current device (RCD) protected supply.** Use of an RCD reduces the risk of electric shock.

3) PERSONAL SAFETY

- a) **Stay alert, watch what you are doing and use common sense when operating a power tool. Do not use a power tool while you are tired or under the influence of drugs, alcohol or medication.** A moment of inattention while operating power tools may result in serious personal injury.
 - b) **Use personal protective equipment. Always wear eye protection.** Protective equipment such as a dust mask, non-skid safety shoes, hard hat, or hearing protection used for appropriate conditions will reduce personal injuries.
 - c) **Prevent unintentional starting. Ensure the switch is in the off-position before connecting to power source and/or battery pack, picking up or carrying the tool.** Carrying power tools with your finger on the switch or energising power tools that have the switch on invites accidents.
 - d) **Remove any adjusting key or wrench before turning the power tool on.** A wrench or a key left attached to a rotating part of the power tool may result in personal injury.
 - e) **Do not overreach. Keep proper footing and balance at all times.** This enables better control of the power tool in unexpected situations.
 - f) **Dress properly. Do not wear loose clothing or jewellery. Keep your hair and clothing away from moving parts.** Loose clothes, jewellery or long hair can be caught in moving parts.
 - g) **If devices are provided for the connection of dust extraction and collection facilities, ensure these are connected and properly used.** Use of dust collection can reduce dust-related hazards.
 - h) **Do not let familiarity gained from frequent use of tools allow you to become complacent and ignore tool safety principles.** A careless action can cause severe injury within a fraction of a second.
- #### 4) POWER TOOL USE AND CARE
- a) **Do not force the power tool. Use the correct power tool for your application.** The correct power tool will do the job better and safer at the rate for which it was designed.
 - b) **Do not use the power tool if the switch does not turn it on and off.** Any power tool that cannot be controlled with the switch is dangerous and must be repaired.
 - c) **Disconnect the plug from the power source and/or remove the battery pack, if detachable, from the power tool before making any adjustments, changing accessories, or storing power tools.** Such preventive safety measures reduce the risk of starting the power tool accidentally.
 - d) **Store idle power tools out of the reach of children and do not allow persons unfamiliar with the power tool or these instructions to operate the power tool.** Power tools are dangerous in the hands of untrained users.

- e) **Maintain power tools and accessories. Check for misalignment or binding of moving parts, breakage of parts and any other condition that may affect the power tool's operation. If damaged, have the power tool repaired before use.** Many accidents are caused by poorly maintained power tools.
- f) **Keep cutting tools sharp and clean.** Properly maintained cutting tools with sharp cutting edges are less likely to bind and are easier to control.
- g) **Use the power tool, accessories and tool bits etc., in accordance with these instructions, taking into account the working conditions and the work to be performed.** Use of the power tool for operations different from those intended could result in a hazardous situation.
- h) **Keep handles and grasping surfaces dry, clean and free from oil and grease.** Slippery handles and grasping surfaces do not allow for safe handling and control of the tool in unexpected situations.
- 5) **SERVICE**
 - a) **Have your power tool serviced by a qualified repair person using only identical replacement parts.** This will ensure that the safety of the power tool is maintained.

SAFETY INSTRUCTIONS FOR SANDERS

GENERAL

- This tool should not be used by people under the age of 16 years
- This tool is not suitable for wet sanding
- Never use the tool when the cord is damaged; it must be replaced by a specially prepared cord available through the service organization.
- **Do not work materials containing asbestos** (asbestos is considered carcinogenic)
- **Always disconnect plug from power source before making any adjustment or changing any accessory**

ACCESSORIES

- SKIL can assure flawless functioning of the tool only when original accessories are used
- Do not continue to use worn, torn or heavily clogged sanding sheets

BEFORE USE

- Always check that the supply voltage is the same as the voltage indicated on the nameplate of the tool
- Avoid damage that can be caused by screws, nails and other elements in your workpiece; remove them before you start working
- Use completely unrolled and safe extension cords with a capacity of 16 Amps (U.K. 13 Amps)
- The noise level when working can exceed 85 dB(A); wear ear protection
- Dust from material such as paint containing lead, some wood species, minerals and metal may be harmful (contact with or inhalation of the dust may cause allergic reactions and/or respiratory diseases to the operator or bystanders); **wear a dust mask and work with a dust extraction device when connectable**
- Certain kinds of dust are classified as carcinogenic (such as oak and beech dust) especially in conjunction with additives for wood conditioning; **wear a dust mask and work with a dust extraction device when connectable**
- Follow the dust-related national requirements for the materials you want to work with

- Wear protective gloves, safety glasses, close-fitting clothes and hair protection (for long hair)
- When sanding metal, sparks are generated; do not use dust box and keep other persons and combustible material from work area
- **Secure the workpiece** (a workpiece clamped with clamping devices or in a vice is held more securely than by hand)

DURING USE

- Always keep the cord away from moving parts of the tool; direct the cord to the rear, away from the tool
- Do not touch the moving sanding sheet
- In case of electrical or mechanical malfunction, immediately switch off the tool and disconnect the plug
- If the cord is damaged or cut through while working, do not touch the cord, but immediately disconnect the plug

AFTER USE

- When you put away the tool, switch off the motor and ensure that all moving parts have come to a complete standstill

EXPLANATION OF SYMBOLS ON TOOL

- ③ Read the instruction manual before use
- ④ Double insulation (no earth wire required)
- ⑤ Do not dispose of the tool together with household waste material

WHEN CONNECTING NEW 3-PIN PLUG (U.K. ONLY):

- Do not connect the blue (= neutral) or brown (= live) wire in the cord of this tool to the earth terminal of the plug
- If for any reason the old plug is cut off the cord of this tool, it must be disposed of safely and not left unattended

USE

- Mounting of sanding sheet ⑥
 - ! **disconnect the plug**
 - ! **the dust suction requires the use of perforated sanding sheets**
 - ! **perforation in sanding sheet should correspond with perforation in sanding foot**
 - ! **replace worn sanding sheets in time**
 - ! **always use the tool with the total sanding surface covered with sanding paper**
 - mount VELCRO sanding sheet as illustrated
- Dust suction
 - ! **do not use dust box/vacuum cleaner when sanding metal**
 - Dust box ⑦
 - empty dust box A regularly for optimal dust pick-up performance
 - remove dust box A by pulling dust box A backwards
 - For using vacuum cleaner
 - mount vacuum cleaner adapter D as illustrated ⑧a
 - connect vacuum cleaner hose to vacuum cleaner adapter D ⑧b
- On/off switch
 - switch on/off the tool by pushing switch in/out
 - ! **before the sanding surface reaches the workpiece, you should switch on the tool**
 - ! **before switching off the tool, you should lift it from the workpiece**
- Holding and guiding the tool ⑨
 - ! **while working, always hold the tool at the grey-coloured grip area(s)**
 - guide the tool parallel to the working surface

! do not apply too much pressure on the tool; let the sanding surface do the work for you

- do not tilt the tool in order to avoid unwanted sanding marks
- keep ventilation slots C ② uncovered

APPLICATION ADVICE

- Use the tool for sanding large surfaces, corners and edges ⑩
- Move the tool in straight movements in line with the grain
 - for sanding bare wood surfaces
 - for extra fine finishing
- Never use the same sanding sheet for wood and metal
- Recommended sanding sheet grits:
 - for removing paint and for sanding of extremely rough wood use coarse grit sizes (40, 60)
 - for sanding of rough or plain wood use medium grit sizes (80, 100, 120)
 - for smoothing of wood and surfaces with old paint as well as for finishing of bare wood use fine grit sizes (180, 240, 320)
- Use different grit sizes when the working surface is rough:
 - start sanding with coarse or medium grit
 - finish with fine grit
- For more information see www.skil.com

MAINTENANCE / SERVICE

- This tool is not intended for professional use
- Always keep tool and cord clean (especially ventilation slots C ②)
 - remove adhering sanding dust with a brush
- **! disconnect the plug before cleaning**
- If the tool should fail despite the care taken in manufacturing and testing procedures, repair should be carried out by an after-sales service centre for SKIL power tools
 - send the tool **undismantled** together with proof of purchase to your dealer or the nearest SKIL service station (addresses as well as the service diagram of the tool are listed on www.skil.com)
- Be aware that damage due to overload or improper handling of the tool will be excluded from the warranty (for the SKIL warranty conditions see www.skil.com or ask your dealer)

ENVIRONMENT

- **Do not dispose of electric tools, accessories and packaging together with household waste material** (only for EU countries)
 - in observance of European Directive 2012/19/EC on waste of electric and electronic equipment and its implementation in accordance with national law, electric tools that have reached the end of their life must be collected separately and returned to an environmentally compatible recycling facility
 - symbol ⑤ will remind you of this when the need for disposing occurs

NOISE / VIBRATION

- Measured in accordance with EN 62841 the sound pressure level of this tool is 73.0 dB(A) and the sound

power level 84.0 dB(A) (uncertainty $K = 3$ dB), and the vibration 4.1 m/s^2 (triax vector sum; uncertainty $K = 1.5 \text{ m/s}^2$)

- The vibration emission level has been measured in accordance with a standardised test given in EN 62841; it may be used to compare one tool with another and as a preliminary assessment of exposure to vibration when using the tool for the applications mentioned
 - using the tool for different applications, or with different or poorly maintained accessories, may significantly **increase** the exposure level
 - the times when the tool is switched off or when it is running but not actually doing the job, may significantly **reduce** the exposure level

! protect yourself against the effects of vibration by maintaining the tool and its accessories, keeping your hands warm, and organizing your work patterns

F

Ponceuse polyvalente

7260

INTRODUCTION

- Cet outil sert au ponçage et au polissage à sec du bois, des surfaces peintes, du plastique et du mastic
- Cet outil n'est pas conçu pour un usage professionnel
- Lisez et conservez ce manuel d'instruction ③

CARACTERISTIQUES TECHNIQUES ①

ELEMENTS DE L'OUTIL ②

- A Réservoir à poussière
 - B Interrupteur marche/arrêt
 - C Fentes de ventilation
 - D Adaptateur de l'aspirateur*
- * NON FOURNI EN STANDARD

SECURITE

AVERTISSEMENTS DE SECURITE GENERAUX POUR L'OUTIL ELECTRIQUE

⚠ AVERTISSEMENT Lisez tous les avertissements de sécurité, toutes les instructions, illustrations et caractéristiques fournies avec cet outil électrique.

Le non-respect du suivi de toutes les instructions reprises ci-dessous peut provoquer un électrochoc, un incendie et/ou des blessures graves.

Conservez tous les avertissements et toutes les instructions pour pouvoir s'y reporter ultérieurement.

Le terme "outil électrique" dans les avertissements se rapporte à des outils électriques raccordés au secteur (avec câble de raccordement) et à des outils électriques à batterie (sans câble de raccordement).

1) SECURITE DE LA ZONE DE TRAVAIL

- a) **Maintenez l'endroit de travail propre et bien éclairé.**
Un lieu de travail en désordre ou mal éclairé augmente le

- risque d'accidents.
- b) **N'utilisez pas l'outil électrique dans un environnement présentant des risques d'explosion et où se trouvent des liquides, des gaz ou poussières inflammables.** Les outils électriques génèrent des étincelles risquant d'enflammer les poussières ou les vapeurs.
 - c) **Tenez les enfants et autres personnes éloignés durant l'utilisation de l'outil électrique.** En cas d'inattention vous risquez de perdre le contrôle sur l'outil électrique.
- ### 2) SECURITE RELATIVE AU SYSTEME ELECTRIQUE
- a) **La fiche de secteur de l'outil électrique doit être appropriée à la prise de courant. Ne modifiez en aucun cas la fiche. N'utilisez pas de fiches d'adaptateur avec des outils électriques avec mise à la terre.** Les fiches non modifiées et les prises de courant appropriées réduisent le risque de choc électrique.
 - b) **Évitez le contact physique avec des surfaces mises à la terre telles que tuyaux, radiateurs, fours et réfrigérateurs.** Il y a un risque élevé de choc électrique au cas où votre corps serait relié à la terre.
 - c) **N'exposez pas l'outil électrique à la pluie ou à l'humidité.** La pénétration d'eau dans un outil électrique augmente le risque d'un choc électrique.
 - d) **N'utilisez pas le câble à d'autres fins que celles prévues, n'utilisez pas le câble pour porter l'outil électrique ou pour l'accrocher ou encore pour le débrancher de la prise de courant. Maintenez le câble éloigné des sources de chaleur, des parties grasses, des bords tranchants ou des parties de l'outil électrique en rotation.** Un câble endommagé ou torsadé augmente le risque d'un choc électrique.
 - e) **Au cas où vous utiliseriez l'outil électrique à l'extérieur, utilisez une rallonge autorisée homologuée pour les applications extérieures.** L'utilisation d'une rallonge électrique homologuée pour les applications extérieures réduit le risque d'un choc électrique.
 - f) **Si l'usage d'un outil dans un emplacement humide est inévitable, utilisez un disjoncteur de fuite à la terre.** L'utilisation d'un disjoncteur de fuite à la terre réduit le risque de choc électrique.
- ### 3) SECURITE DES PERSONNES
- a) **Restez vigilant, surveillez ce que vous faites. Faites preuve de bon sens en utilisant l'outil électrique. N'utilisez pas l'outil électrique lorsque vous êtes fatigué ou après avoir consommé de l'alcool, des drogues ou avoir pris des médicaments.** Un moment d'inattention lors de l'utilisation de l'outil électrique peut entraîner de graves blessures sur les personnes.
 - b) **Portez des équipements de protection. Portez toujours des lunettes de protection.** Le fait de porter des équipements de protection personnels tels que masque anti-poussières, chaussures de sécurité antidérapantes, casque de protection ou protection acoustique suivant le travail à effectuer, réduit le risque de blessures.
 - c) **Évitez tout démarrage intempestif. S'assurez que l'interrupteur est en position arrêt avant de brancher l'outil au secteur et/ou au bloc de batteries, de le ramasser ou de le porter.** Porter les outils en ayant le doigt sur l'interrupteur ou brancher des outils dont l'interrupteur est en position marche est source d'accidents.
 - d) **Enlevez tout outil de réglage ou toute clé avant de mettre l'outil électrique en fonctionnement.** Une clé ou un outil se trouvant sur une partie en rotation peut causer des blessures.
 - e) **Ne surestimez pas vos capacités. Veillez à garder toujours une position stable et équilibrée.** Ceci vous permet de mieux contrôler l'outil électrique dans des situations inattendues.
 - f) **Portez des vêtements appropriés. Ne portez pas de vêtements amples ni de bijoux. Gardez les cheveux et les vêtements à distance des parties en mouvement.** Des vêtements amples, des bijoux ou des cheveux longs peuvent être happés par des pièces en mouvement.
 - g) **Si des dispositifs servant à aspirer ou à recueillir les poussières doivent être utilisés, vérifiez que ceux-ci soient effectivement raccordés et qu'ils sont correctement utilisés.** L'utilisation des collecteurs de poussière réduit les dangers dus aux poussières.
 - h) **Restez vigilant et ne pas négligez les principes de sécurité de l'outil sous prétexte que vous avez l'habitude de l'utiliser.** Une fraction de seconde d'inattention peut provoquer une blessure grave.
- ### 4) UTILISATION ET EMPLOI SOIGNEUX DE L'OUTIL ELECTRIQUE
- a) **Ne surchargez pas l'outil électrique. Utilisez l'outil électrique approprié au travail à effectuer.** Avec l'outil électrique approprié, vous travaillerez mieux et avec plus de sécurité à la vitesse pour laquelle il est prévu.
 - b) **N'utilisez pas un outil électrique dont l'interrupteur est défectueux.** Un outil électrique qui ne peut plus être mis en ou hors fonctionnement est dangereux et doit être réparé.
 - c) **Débranchez la fiche de la source d'alimentation et/ou enlevez le bloc de batteries, s'il est amovible, avant tout réglage, changement d'accessoires ou avant de ranger l'outil électrique.** De telles mesures de sécurité préventives réduisent le risque de démarrage accidentel de l'outil électrique.
 - d) **Gardez les outils électriques non utilisés hors de portée des enfants. Ne permettez pas l'utilisation de l'outil électrique à des personnes qui ne se sont pas familiarisées avec celui-ci ou qui n'ont pas lu ces instructions.** Les outils électriques sont dangereux lorsqu'ils sont utilisés par des personnes non initiées.
 - e) **Observez la maintenance des outils électriques et des accessoires. Vérifiez que les parties en mouvement fonctionnent correctement et qu'elles ne soient pas coincées, et contrôlez si des parties sont cassées ou endommagées de telle sorte que le bon fonctionnement de l'outil électrique s'en trouve entravé. Faites réparer les parties endommagées avant d'utiliser l'outil électrique.** De nombreux accidents sont dus à des outils électriques mal entretenus.
 - f) **Maintenez les outils de coupe aiguisés et propres.** Des outils soigneusement entretenus avec des bords tranchants bien aiguisés se coincent moins souvent et peuvent être guidés plus facilement.
 - g) **Utilisez l'outil électrique, les accessoires, les outils**

à monter etc. conformément à ces instructions. **Tenez compte également des conditions de travail et du travail à effectuer.** L'utilisation de l'outil électrique à d'autres fins que celles prévues peut entraîner des situations dangereuses.

- h) **Il faut que les poignées et les surfaces de préhension restent sèches, propres et dépourvues d'huiles et de graisses.** Des poignées et des surfaces de préhension glissantes rendent impossibles la manipulation et le contrôle en toute sécurité de l'outil dans les situations inattendues.

5) SERVICE

- a) **Ne faites réparer votre outil électrique que par un personnel qualifié et seulement avec des pièces de rechange d'origine.** Ceci permet d'assurer la sécurité de l'outil électrique.

INSTRUCTIONS DE SECURITE POUR PONCEUSES

GENERALITES

- Cet outil ne doit pas être utilisé par des personnes de moins de 16 ans
- Cet outil ne convient pas pour des surfaces à poncer imperméabilisées
- N'utilisez jamais l'outil si le cordon d'alimentation est endommagé, il doit être remplacé par un cordon spécialement préparé disponible par le biais du service d'assistance.
- **Ne travaillez pas de matériaux contenant de l'amiante** (l'amiante est considérée comme étant cancérigène)
- **Débranchez toujours l'outil avant tout réglage ou changement d'accessoire**

ACCESSOIRES

- SKIL ne peut se porter garant du bon fonctionnement de cet outil que s'il a été utilisé avec les accessoires d'origine
- N'utilisez plus les feuilles de ponçage usées, fissurées ou fortement encrassées

AVANT L'USAGE

- Contrôlez toujours si la tension secteur correspond à la tension indiquée sur la plaquette signalétique de l'outil
- Faites attention aux vis, clous ou autres éléments qui pourraient se trouver dans la pièce à travailler et qui risqueraient d'endommager très fortement votre outil; enlevez-les avant de commencer le travail
- Utilisez un câble de prolongement complètement déroulé et de bonne qualité d'une capacité de 16 A
- Le niveau sonore en fonctionnement peut dépasser 85 dB(A); munissez-vous de casques anti-bruit
- La poussière de matériaux, tels que la peinture contenant du plomb, certaines espèces de bois, certains minéraux et différents métaux, peut être nocive (le contact avec la poussière ou son inhalation peut provoquer des réactions allergiques et/ou des maladies respiratoires chez l'opérateur ou des personnes se trouvant à proximité); **portez un masque antipoussières et travaillez avec un appareil de dé poussiérage lorsqu'il est possible d'en connecter un**
- Certains types de poussières sont classifiés comme étant cancérigènes (tels que la poussière de chêne ou de hêtre), en particulier en combinaison avec des additifs de traitement du bois; **portez un masque antipoussières et travaillez avec un appareil de dé poussiérage lorsqu'il est possible d'en connecter un**

- Suivez les directives nationales relatives au dépoussiérage pour les matériaux à travailler
- Portez des gants de protection, des lunettes de protection, des vêtements près du corps et un protège cheveux (pour des cheveux longs)
- Lorsque vous ponchez du métal, des étincelles se produisent; n'utilisez pas le réservoir à poussière et tenez toute autre personne ou tout matériel combustible éloignés de votre lieu de travail
- **Fixez solidement la pièce à travailler** (une pièce fixée à l'aide de dispositifs de fixation est davantage assurée que si elle était tenue à la main)

PENDANT L'USAGE

- Tenez toujours le câble éloigné des parties mobiles de l'outil; orientez le câble vers l'arrière le plus loin possible de l'outil
- Ne touchez pas la feuille de ponçage en rotation
- En cas de dysfonctionnement électrique ou mécanique, mettez directement l'outil hors service et débranchez la fiche
- Si le câble est endommagé ou rompu pendant le travail, n'y touchez pas, mais débranchez immédiatement la prise

APRES L'USAGE

- Lorsque vous rangez votre outil, le moteur doit être coupé et les pièces mobiles complètement arrêtées

EXPLICATION DES SYMBOLES SUR L'OUTIL

- ③ Veuillez lire le mode d'emploi avant d'utiliser l'outil
- ④ Double-isolation (ne nécessite pas de mise à la terre)
- ⑤ Ne jetez pas l'outil dans les ordures ménagères

UTILISATION

- Montage des feuilles de ponçage ⑥
 - ! **débranchez la fiche**
 - ! **l'aspiration des poussières exige des feuilles de ponçage perforées**
 - ! **la perforation du papier devrait correspondre à la perforation de la semelle de ponçage**
 - ! **quand les feuilles sont usagées n'attendez pas pour les changer**
 - ! **utilisez toujours cet outil avec la surface de ponçage complètement recouverte d'une feuille de ponçage**
 - montez une feuille de ponçage VELCRO comme illustré
- Aspiration de poussières
 - ! **n'utilisez pas le réservoir à poussière/l'aspirateur pour le ponçage des métaux**
 - Réservoir à poussière ⑦
 - videz le réservoir à poussière A régulièrement pour une récupération optimale des poussières
 - retirez le réservoir à poussière A en le poussant A vers l'arrière
 - En cas d'utilisation d'un aspirateur
 - montez l'adaptateur de l'aspirateur D comme illustré ⑧a
 - connectez le tuyau de l'aspirateur à l'adaptateur de l'aspirateur D ⑧b
- Interrupteur marche/arrêt
 - mettez en marche/arrêtez votre outil en poussant l'interrupteur vers l'intérieur/l'extérieur
 - ! **l'outil doit être mis en marche avant que la surface de ponçage ne touche la pièce à poncer**
 - ! **avant d'arrêter l'outil, vous devez le soulever de**

- **la pièce à travailler**
- Tenue et guidage de l'outil ⑨
- ! **lorsque vous travaillez, tenez toujours l'outil par la(les) zone(s) de couleur grise**
- le guidage doit se faire parallèlement à la surface à travailler
- ! **n'appliquez pas une pression excessive sur l'outil; le ponçage se fait de lui-même**
- n'inclinez pas trop l'outil pour éviter toute marque de ponçage
- veillez à ce que les fentes de ventilation C ② soient découvertes

CONSEILS D'UTILISATION

- Utilisez l'outil pour les grandes surfaces de ponçage, les angles et les bords ⑩
- Déplacez l'outil en mouvements droits dans le sens du grain
 - pour finir des surfaces de bois nu
 - pour l'extra-fin finition
- Ne jamais travailler le bois et le métal avec une même feuille de ponçage
- Grain de feuilles de ponçage recommandé:
 - pour enlever la peinture et pour poncer du bois très brut, utilisez du gros grain (40, 60)
 - pour poncer du bois brut ou commun, utilisez du grain moyen (80, 100, 120)
 - pour polir du bois et des surfaces couvertes d'ancienne peinture ainsi que pour polir du bois nu, utilisez du grain fin (180, 240, 320)
- Procédez par étapes, quand la surface à travailler est brute:
 - commencez à poncer avec du grain gros ou moyen
 - terminez par du grain fin
- Pour plus d'informations, voir www.skil.com

ENTRETIEN / SERVICE APRES-VENTE

- Cet outil n'est pas conçu pour un usage professionnel
- Gardez toujours votre outil et le câble propres (spécialement les aérations C ②)
 - éliminez les poussières de ponçage qui adhèrent à l'outil avec un pinceau
- ! **débranchez la fiche avant le nettoyage**
- Si, malgré tous les soins apportés à la fabrication et au contrôle de l'outil, celui-ci devait avoir un défaut, la réparation ne doit être confiée qu'à une station de service après-vente agréée pour outillage SKIL
 - retournez l'outil **non démonté** avec votre preuve d'achat au revendeur ou au centre de service après-vente SKIL le plus proche (les adresses ainsi que la vue éclatée de l'outil figurent sur www.skil.com)
- Veuillez noter que tout dégât causé par une surcharge ou une mauvaise utilisation de l'outil ne sera pas couvert par la garantie (pour connaître les conditions de la garantie SKIL, surfez sur www.skil.com ou adressez-vous à votre revendeur)

ENVIRONNEMENT

- **Ne jetez pas les outils électriques, les accessoires et l'emballage dans les ordures ménagères** (pour les pays européens uniquement)
 - conformément à la directive européenne 2012/19/EG

relative aux déchets d'équipements électriques ou électroniques, et à sa transposition dans la législation nationale, les outils électriques usés doivent être collectés séparément et faire l'objet d'un recyclage respectueux de l'environnement

- le symbole ⑤ vous le rappellera au moment de la mise au rebut de l'outil



BRUIT / VIBRATION

- Mesurés selon EN 62841, le niveau de pression sonore de cet outil est de 73,0 dB(A), le niveau de puissance acoustique est de 84,0 dB(A) (incertitude K = 3 dB), et la vibration 4,1 m/s² (somme vectorielle triax ; incertitude K = 1,5 m/s²)
- Le niveau de vibrations émises a été mesuré conformément à l'essai normalisé de la norme EN 62841; il peut être utilisé pour comparer plusieurs outils et pour réaliser une évaluation préliminaire de l'exposition aux vibrations lors de l'utilisation de l'outil pour les applications mentionnées
 - l'utilisation de l'outil dans d'autres applications, ou avec des accessoires différents ou mal entretenus, peut considérablement **augmenter** le niveau d'exposition
 - la mise hors tension de l'outil et sa non-utilisation pendant qu'il est allumé peuvent considérablement **réduire** le niveau d'exposition
- ! **protégez-vous contre les effets des vibrations par un entretien correct de l'outil et de ses accessoires, en gardant vos mains chaudes et en structurant vos schémas de travail**

①

Multischleifer

7260

EINLEITUNG

- Dieses Werkzeug ist für das Trockenschleifen und Fertigbearbeiten von Holz, lackierten Oberflächen, Kunststoff und Spachtelmasse bestimmt
- Dieses Werkzeug eignet sich nicht für den professionellen Einsatz
- Bitte diese Bedienungsanleitung sorgfältig lesen und aufbewahren ③

TECHNISCHE DATEN ①

WERKZEUGKOMPONENTEN ②

- A Staubbox
- B Ein/Aus-Schalter
- C Lüftungsschlitze
- D Staubsaugeranschluß*
- * STANDARDMÄSSIG NICHT ENTHALTEN

SICHERHEIT

ALLGEMEINE SICHERHEITSHINWEISE FÜR ELEKTROWERKZEUGE

⚠️ WARNUNG Lesen Sie alle Sicherheitshinweise, Anweisungen, Abbildungen und technischen Daten dieses Elektrogeräts. Die Nichtbeachtung der nachfolgenden Anweisungen kann zu Stromschlägen, Bränden bzw. ernsthaften Verletzungen führen.

Bewahren Sie alle Sicherheitshinweise und Anweisungen für die Zukunft auf.

Der in den Sicherheitshinweisen verwendete Begriff "Elektrowerkzeug" bezieht sich auf netzbetriebene Elektrowerkzeuge (mit Netzkabel) und auf akkubetriebene Elektrowerkzeuge (ohne Netzkabel).

1) ARBEITSPLATZSICHERHEIT

- a) **Halten Sie Ihren Arbeitsbereich sauber und gut beleuchtet.** Unordnung oder unbeleuchtete Arbeitsbereiche können zu Unfällen führen.
- b) **Arbeiten Sie mit dem Elektrowerkzeug nicht in explosionsgefährdeter Umgebung, in der sich brennbare Flüssigkeiten, Gase oder Stäube befinden.** Elektrowerkzeuge erzeugen Funken, die den Staub oder die Dämpfe entzünden können.
- c) **Halten Sie Kinder und andere Personen während der Benutzung des Elektrowerkzeuges fern.** Bei Ablenkung können Sie die Kontrolle über das Elektrowerkzeug verlieren.

2) ELEKTRISCHE SICHERHEIT

- a) **Der Anschlussstecker des Elektrowerkzeuges muss in die Steckdose passen. Der Stecker darf in keiner Weise verändert werden. Verwenden Sie keine Adapterstecker gemeinsam mit geschützten Elektrowerkzeugen.** Unveränderte Stecker und passende Steckdosen verringern das Risiko eines elektrischen Schlages.
- b) **Vermeiden Sie Körperkontakt mit geerdeten Oberflächen, wie von Rohren, Heizungen, Herden und Kühlschränken.** Es besteht ein erhöhtes Risiko durch elektrischen Schlag, wenn Ihr Körper geerdet ist.
- c) **Halten Sie das Elektrowerkzeug von Regen oder Nässe fern.** Das Eindringen von Wasser in ein Elektrogerät erhöht das Risiko eines elektrischen Schlages.
- d) **Zweckentfremden Sie das Kabel nicht, um das Elektrowerkzeug zu tragen, aufzuhängen oder um den Stecker aus der Steckdose zu ziehen. Halten Sie das Kabel fern von Hitze, Öl, scharfen Kanten oder sich bewegenden Elektrowerkzeugteilen.** Beschädigte oder verwickelte Kabel erhöhen das Risiko eines elektrischen Schlages.
- e) **Wenn Sie mit einem Elektrowerkzeug im Freien arbeiten, verwenden Sie nur Verlängerungskabel, die auch für den Außenbereich zugelassen sind.** Die Anwendung eines für den Außenbereich geeigneten Verlängerungskabels verringert das Risiko eines elektrischen Schlages.
- f) **Wenn der Betrieb des Elektrowerkzeuges in feuchter Umgebung nicht vermeidbar ist, verwenden Sie**

einen Fehlerstromschutzschalter. Der Einsatz eines Fehlerstromschutzschalters vermindert das Risiko eines elektrischen Schlages.

3) SICHERHEIT VON PERSONEN

- a) **Seien Sie aufmerksam, achten Sie darauf, was Sie tun, und gehen Sie mit Vernunft an die Arbeit mit einem Elektrowerkzeug. Benutzen Sie das Elektrowerkzeug nicht, wenn Sie müde sind oder unter dem Einfluss von Drogen, Alkohol oder Medikamenten stehen.** Ein Moment der Unachtsamkeit beim Gebrauch des Elektrowerkzeuges kann zu ernsthaften Verletzungen führen.
- b) **Tragen Sie persönliche Schutzausrüstung und immer eine Schutzbrille.** Das Tragen persönlicher Schutzausrüstung, wie Staubmaske, rutschfeste Sicherheitsschuhe, Schutzhelm oder Gehörschutz, je nach Art und Einsatz des Elektrowerkzeuges, verringert das Risiko von Verletzungen.
- c) **Vermeiden Sie eine unbeabsichtigte Inbetriebnahme. Vergewissern Sie sich, dass das Elektrowerkzeug ausgeschaltet ist, bevor Sie es an die Stromversorgung und/oder den Akku anschließen, es aufnehmen oder tragen.** Wenn Sie beim Tragen des Elektrowerkzeuges den Finger am Schalter haben oder das Elektrowerkzeug eingeschaltet an die Stromversorgung anschließen, kann dies zu Unfällen führen.
- d) **Entfernen Sie Einstellwerkzeuge oder Schraubenschlüssel, bevor Sie das Elektrowerkzeug einschalten.** Ein Werkzeug oder Schlüssel, der sich in einem drehenden Elektrowerkzeugeteil befindet, kann zu Verletzungen führen.
- e) **Überschätzen Sie sich nicht. Sorgen Sie für einen sicheren Stand und halten Sie jederzeit das Gleichgewicht.** Dadurch können Sie das Elektrowerkzeug in unerwarteten Situationen besser kontrollieren.
- f) **Tragen Sie geeignete Kleidung. Tragen Sie keine weite Kleidung oder Schmuck. Halten Sie Haare und Kleidung fern von sich bewegenden Teilen.** Lockere Kleidung, Schmuck oder lange Haare können von sich bewegenden Teilen erfasst werden.
- g) **Wenn Staubabsaug- und -auffangeinrichtungen montiert werden können, vergewissern Sie sich, dass diese angeschlossen sind und richtig verwendet werden.** Verwendung einer Staubabsaugung verringert Gefährdungen durch Staub.
- h) **Wiegen Sie sich nicht in falscher Sicherheit und setzen Sie sich nicht über die Sicherheitsregeln für Elektrowerkzeuge hinweg, auch wenn Sie nach vielfachem Gebrauch mit dem Elektrowerkzeug vertraut sind.** Achtloses Handeln kann binnen Sekundenbruchteilen zu schweren Verletzungen führen.
- 4) **SORGFÄLTIGER UMGANG UND GEBRAUCH VON ELEKTROWERKZEUGEN**
 - a) **Überlasten Sie das Elektrowerkzeug nicht. Verwenden Sie für Ihre Arbeit das dafür bestimmte Elektrowerkzeug.** Mit dem passenden Elektrowerkzeug arbeiten Sie besser und sicherer im angegebenen Leistungsbereich.
 - b) **Benutzen Sie kein Elektrowerkzeug, dessen Schalter defekt ist.** Ein Elektrowerkzeug, das sich nicht mehr ein- oder ausschalten lässt, ist gefährlich und muss

repariert werden.

- c) **Ziehen Sie den Stecker aus der Steckdose und/ oder entfernen Sie einen abnehmbaren Akku, bevor Sie Geräteeinstellungen vornehmen, Zubehörteile wechseln oder das Elektrowerkzeug weglegen.** Diese Vorsichtsmaßnahme verhindert den unbeabsichtigten Start des Elektrowerkzeuges.
 - d) **Bewahren Sie unbenutzte Elektrowerkzeuge außerhalb der Reichweite von Kindern auf. Lassen Sie Personen das Elektrowerkzeug nicht benutzen, die mit diesem nicht vertraut sind oder diese Anweisungen nicht gelesen haben.** Elektrowerkzeuge sind gefährlich, wenn Sie von unerfahrenen Personen benutzt werden.
 - e) **Pflegen Sie Elektrowerkzeuge und Zubehör mit Sorgfalt. Kontrollieren Sie, ob bewegliche Elektrowerkzeugeteile einwandfrei funktionieren und nicht klemmen, ob Teile gebrochen oder so beschädigt sind, dass die Funktion des Elektrowerkzeuges beeinträchtigt ist. Lassen Sie beschädigte Teile vor dem Einsatz des Elektrowerkzeuges reparieren.** Viele Unfälle haben ihre Ursache in schlecht gewarteten Elektrowerkzeugen.
 - f) **Halten Sie Schneidwerkzeuge scharf und sauber.** Sorgfältig gepflegte Schneidwerkzeuge mit scharfen Schneidkanten verkleben sich weniger und sind leichter zu führen.
 - g) **Verwenden Sie Elektrowerkzeug, Zubehör, Einsatzwerkzeuge usw. entsprechend diesen Anweisungen. Berücksichtigen Sie dabei die Arbeitsbedingungen und die auszuführende Tätigkeit.** Der Gebrauch von Elektrowerkzeugen für andere als die vorgesehenen Anwendungen kann zu gefährlichen Situationen führen.
 - h) **Halten Sie Griffe und Griffflächen trocken, sauber und frei von Öl und Fett.** Rutschige Griffe und Griffflächen erlauben keine sichere Bedienung und Kontrolle des Elektrowerkzeuges in unvorhergesehenen Situationen.
- 5) SERVICE**
- a) **Lassen Sie Ihr Elektrowerkzeug nur von qualifiziertem Fachpersonal und nur mit Original-Ersatzteilen reparieren.** Damit wird sichergestellt, dass die Sicherheit des Elektrowerkzeuges erhalten bleibt.

SICHERHEITSHINWEISE FÜR SCHLEIFER

ALLGEMEINES

- Der Benutzer dieses Werkzeuges sollte älter als 16 Jahre sein
- Dieses Werkzeug ist für Naßschleifen nicht geeignet
- Verwenden Sie das Werkzeug niemals, wenn das Kabel beschädigt ist; es muss durch ein speziell vorbereitetes Kabel ersetzt werden, das über die Serviceorganisation erhältlich ist.
- **Bearbeiten Sie kein asbesthaltiges Material** (Asbest gilt als krebserregend)
- **Ziehen Sie grundsätzlich den Netzstecker, bevor Sie beliebige Änderungen an den Einstellungen oder einen Zubehörwechsel vornehmen**

ZUBEHÖR

- SKIL kann nur dann die einwandfreie Funktion des

Werkzeuges zusichern, wenn Original-Zubehör verwendet wird

- Verwenden Sie verschlissene, eingerissene oder stark zugesetzte Schleifpapiere nicht weiter

VOR DER ANWENDUNG

- Stets nachprüfen, daß die Netzspannung mit der auf dem Typenschild des Werkzeuges angegebenen Spannung übereinstimmt
- Beschädigungen durch Schrauben, Nägel und ähnliches an Ihrem Werkstück vermeiden; diese vor Arbeitsbeginn entfernen
- Bei Benutzung von Verlängerungskabeln ist darauf zu achten, daß das Kabel vollständig abgerollt ist und eine Kapazität von 16 A hat
- Der Geräuschpegel beim Arbeiten kann 85 dB(A) überschreiten; Gehörschutz tragen
- Staub von Materialien wie Farbe, die Blei enthält, einigen Holzarten, Mineralien und Metall kann schädlich sein (Kontakt mit oder Einatmen des Staubs kann zu allergischen Reaktionen und/oder Atemwegserkrankungen beim Bediener oder Umstehenden führen); **tragen Sie eine Staubmaske und arbeiten Sie mit einem Staubabsaugungssystem, wenn ein solches angeschlossen werden kann**
- Bestimmte Arten von Staub sind als karzinogen klassifiziert (beispielsweise Eichen- und Buchenholzstaub), insbesondere in Verbindung mit Zusätzen für die Holzvorbehandlung; **tragen Sie eine Staubmaske und arbeiten Sie mit einem Staubabsaugungssystem, wenn ein solches angeschlossen werden kann**
- Beachten Sie die für Ihr verwendetes Verbrauchsmaterial gültigen nationalen Staubschutzvorgaben
- Tragen Sie Schutzhandschuhe, Schutzbrille, enganliegende Kleidung und Haarschutz (bei langen Haaren)
- Beim Schleifen von Metall entstehen Funken; verwenden Sie die Staubbox nicht und halten Sie andere Personen sowie brennbare Materialien von Ihrem Arbeitsbereich fern
- **Sichern Sie das Werkstück** (ein mit Spannvorrichtungen oder Schraubstock festgehaltenes Werkstück ist sicherer gehalten als mit der Hand)

WÄHREND DER ANWENDUNG

- Das Kabel immer von umlaufenden Teilen des Werkzeuges fernhalten; das Kabel nach hinten vom Werkzeug weg führen
- Nicht mit dem laufenden Schleifpapier in Berührung kommen
- Bei elektrischer oder mechanischer Fehlfunktion das Werkzeug sofort ausschalten und den Netzstecker ziehen
- Wird bei der Arbeit das Kabel beschädigt oder durchtrennt, Kabel nicht berühren, sondern sofort den Netzstecker ziehen

NACH DER ANWENDUNG

- Sobald Sie sich von Ihrem Werkzeug entfernen, sollte dieses ausgeschaltet werden und die sich bewegenden Teile vollkommen zum Stillstand gekommen sein

ERKLÄRUNG DER SYMBOLE AUF DEM WERKZEUG

- ③ Die Bedienungsanleitung vor dem Gebrauch lesen
- ④ Doppelte Isolierung (kein Erdleiter erforderlich)
- ⑤ Das Werkzeug nicht in den Hausmüll werfen

BEDIENUNG

- Schleifpapierbefestigung ⑥
 - ! **Netzstecker ziehen**
 - ! **für die Staubabsaugung brauchen Sie gelochtes Schleifpapier**
 - ! **die Löcher im Schleifpapier sollten mit denen der Schleifplatte übereinstimmen**
 - ! **abgenutztes Schleifpapier rechtzeitig erneuern**
 - ! **benutzen Sie das Werkzeug nur wenn die gesamte Schleiffläche mit Schleifpapier bedeckt ist**
 - VELCRO-Schleifpapier wie dargestellt befestigen
- Staubabsaugung
 - ! **Staubbox/Staubsauger nicht beim Schleifen von Metall verwenden**
 - Staubbox ⑦
 - regelmäßige Entleerung der Staubbox A sorgt für optimale Staubaufnahme
 - Staubbehälter A durch Ziehen des Staubbehälters A nach hinten abnehmen
 - Wenn Staubsauger benutzt wird
 - Staubsaugeranschluß D wie dargestellt montieren ⑧a
 - Staubabsaugungsschlauch an den Staubabsaugungsadapter anschließen D ⑧b
- Ein/Aus-Schalter
 - Werkzeug ein-/ausschalten durch Schalter ein/aus
 - ! **bevor ihr Schleiffläche das Werkstück berührt, muß Ihr Werkzeug erst eingeschaltet werden**
 - ! **vor dem Ausschalten des Werkzeuges sollte dieses vom Werkstück abgenommen werden**
- Halten und Führen des Werkzeuges ⑨
 - ! **Werkzeug beim Arbeiten immer am grauen Griffbereich fassen**
 - halten Sie Ihr Werkzeug parallel zu der zu bearbeitenden Oberfläche
 - ! **nicht zu viel Druck auf das Werkzeug ausüben; lassen Sie die Schleiffläche für Sie arbeiten**
 - verkanten Sie das Werkzeug nicht, damit ungewollte Schleifspuren vermieden werden
 - Lüftungsschlitze C ② unbedeckt halten

ANWENDUNGSHINWEISE

- Das Werkzeug zum Schleifen großer Flächen, Ecken und Kanten verwenden ⑩
- Bewegen Sie das Werkzeug in geraden Bewegungen entlang der Maserung
 - für das Abschleifen von unbehandelten Holzoberflächen
 - für extra feinen Endschliff
- Nie mit demselben Schleifpapier Holz und Metall bearbeiten
- Empfohlene Schleifpapierkörnung:
 - zum Entfernen von Farbe und zum Schleifen von extrem rohem Holz grobe Körnungsgrößen (40, 60) verwenden
 - zum Schleifen von Rohholz oder einfachem Holz mittlere Körnungsgrößen (80, 100, 120) verwenden
 - zum Glätten von Holz und Oberflächen mit alter Farbe sowie zum Trockenschleifen von unbehandelten Holzoberflächen feine Körnungsgrößen (180, 240, 320) verwenden

- Verwenden Sie verschiedene Körnungsgröße wenn die zu bearbeitende Oberfläche roh ist:
 - schleifen Sie anfangs mit der Grob- oder Mittelkörnung
 - beenden Sie mit der Feinkörnung
- Für weitere Informationen verweisen wir auf www.skil.com

WARTUNG / SERVICE

- Dieses Werkzeug eignet sich nicht für den professionellen Einsatz
- Halten Sie Werkzeug und Kabel immer sauber (insbesondere die Lüftungsschlitze C ②)
 - anhaftenden Schleifstaub mit einem Pinsel entfernen
- ! **Netzstecker vor dem Säubern ziehen**
- Sollte das Elektrowerkzeug trotz sorgfältiger Herstellungs- und Prüfverfahren einmal ausfallen, ist die Reparatur von einer autorisierten Kundendienststelle für SKIL-Elektrowerkzeuge ausführen zu lassen
 - das Werkzeug **unzerlegt**, zusammen mit dem Kaufbeleg, an den Lieferer oder die nächste SKIL-Vertragswerkstätte senden (die Anschriften so wie die Ersatzteilzeichnung des Werkzeuges finden Sie unter www.skil.com)
- Beachten Sie, dass ein falscher oder unsachgemäßer Gebrauch des Werkzeugs zum Erlöschen der Garantie führt (die SKIL-Garantiebedingungen finden Sie unter www.skil.com oder fragen Sie Ihren Händler)

UMWELT

- **Elektrowerkzeuge, Zubehör und Verpackungen nicht in den Hausmüll werfen** (nur für EU-Länder)
 - gemäß Europäischer Richtlinie 2012/19/EG über Elektro- und Elektronik- Altgeräte und Umsetzung in nationales Recht müssen nicht mehr gebrauchsfähige Elektrowerkzeuge getrennt gesammelt und einer umweltgerechten Wiederverwertung zugeführt werden
 - hieran soll Sie Symbol ⑤ erinnern

GERÄUSCH / VIBRATION

- Gemessen nach EN 62841 beträgt der Schalldruckpegel dieses Werkzeugs 73,0 dB(A) und der Schalleistungspegel 84,0 dB(A) (Unsicherheit K = 3 dB), und die Schwingung 4,1 (Triaxvektorsumme; Unsicherheit K = 1,5 m/s²)
- Die Vibrationsemissionsstufe wurde mit einem standardisierten Test gemäß EN 62841 gemessen; Sie kann verwendet werden, um ein Werkzeug mit einem anderen zu vergleichen und als vorläufige Beurteilung der Vibrationsexposition bei Verwendung des Werkzeugs für die angegebenen Anwendungszwecke
 - die Verwendung des Werkzeugs für andere Anwendungen oder mit anderem oder schlecht gewartetem Zubehör kann die Expositionsstufe erheblich **erhöhen**
 - Zeiten, zu denen das Werkzeug ausgeschaltet ist, oder wenn es läuft aber eigentlich nicht eingesetzt wird, können die Expositionsstufe erheblich **verringern**
- ! **schützen Sie sich vor den Auswirkungen der Vibration durch Wartung des Werkzeuges und des Zubehörs, halten Sie Ihre Hände warm und organisieren Sie Ihren Arbeitsablauf**

Multi schuurmachine

7260

INTRODUCTIE

- Deze machine is bestemd voor het droog schuren en polijsten van hout, geverfde oppervlakken, kunststof en plamuur
- Deze machine is niet bedoeld voor professioneel gebruik
- Lees en bewaar deze gebruiksaanwijzing ③

TECHNISCHE GEGEVENS ①

MACHINE-ELEMENTEN ②

- A Stofcontainer
 - B Aan/uit schakelaar
 - C Ventilatie-openingen
 - D Stofzuigeraansluitstuk*
- * NIET STANDAARD MEEGELEVERD

VEILIGHEID

ALGEMENE VEILIGHEIDSWAARSCHUWINGEN VOOR ELEKTRISCHE GEREEDSCHAPPEN

⚠ WAARSCHUWING Lees alle veiligheidswaarschuwingen, instructies, afbeeldingen en specificaties die met dit elektrische gereedschap zijn meegeleverd. Het niet volgen van alle hieronder genoemde instructies kan elektrische schokken, brand en/of ernstig letsel tot gevolg hebben.

Bewaar alle waarschuwingen en voorschriften voor toekomstig gebruik.

Het in de waarschuwingen gebruikte begrip "elektrisch gereedschap" heeft betrekking op elektrische gereedschappen voor gebruik op het stroomnet (met netsnoer) en op elektrische gereedschappen voor gebruik met een accu (zonder netsnoer).

1) VEILIGHEID VAN DE WERKOMGEVING

- a) **Houd uw werkomgeving schoon en opgeruimd.** Een rommelige of onverlichte werkomgeving kan tot ongevallen leiden.
- b) **Werk met het gereedschap niet in een omgeving met explosiegevaar waarin zich brandbare vloeistoffen, gassen of stof bevinden.** Elektrische gereedschappen veroorzaken vonken die het stof of de dampen tot ontsteking kunnen brengen.
- c) **Houd kinderen en andere personen tijdens het gebruik van het elektrische gereedschap uit de buurt.** Wanneer u wordt afgeleid, kunt u de controle over het gereedschap verliezen.

2) ELEKTRISCHE VEILIGHEID

- a) **De aansluitstekker van het gereedschap moet in het stopcontact passen. De stekker mag in geen geval worden veranderd. Gebruik geen adapterstekkers in combinatie met geaarde gereedschappen.** Onveranderde stekkers en passende stopcontacten beperken het risico van een elektrische schok.

- b) **Vorkom aanraking van het lichaam met geaarde oppervlakken, bijvoorbeeld van buizen, verwarmingen, fornuizen en koelkasten.** Er bestaat een verhoogd risico door een elektrische schok wanneer uw lichaam geaard is.
- c) **Houd het gereedschap uit de buurt van regen en vocht.** Het binnendringen van water in het elektrische gereedschap vergroot het risico van een elektrische schok.
- d) **Gebruik de kabel niet voor een verkeerd doel, om het gereedschap te dragen of op te hangen of om de stekker uit het stopcontact te trekken. Houd de kabel uit de buurt van hitte, olie, scherpe randen en bewegende gereedschapsdelen.** Beschadigde of in de war geraakte kabels vergroten het risico van een elektrische schok.
- e) **Wanneer u buitenshuis met elektrisch gereedschap werkt, dient u alleen verlengkabels te gebruiken die voor gebruik buitenshuis zijn goedgekeurd.** Het gebruik van een voor gebruik buitenshuis geschikte verlengkabel beperkt het risico van een elektrische schok.
- f) **Als het gebruik van het elektrische gereedschap in een vochtige omgeving onvermijdelijk is, dient u een aardlekschakelaar te gebruiken.** Het gebruik van een aardlekschakelaar vermindert het risico van een elektrische schok.

3) PERSOONLIJKE VEILIGHEID

- a) **Wees alert, let goed op wat u doet en ga met verstand te werk bij het gebruik van het elektrische gereedschap. Gebruik het gereedschap niet wanneer u moe bent of onder invloed staat van drugs, alcohol of medicijnen.** Een moment van onoplettendheid bij het gebruik van het gereedschap kan tot ernstige verwondingen leiden.
- b) **Draag persoonlijke beschermende uitrusting en altijd een veiligheidsbril.** Het dragen van persoonlijke beschermende uitrusting zoals een stofmasker, slipvaste werkschoenen, een veiligheidshelm of gehoorbescherming, afhankelijk van de aard en het gebruik van het elektrische gereedschap, vermindert het risico van verwondingen.
- c) **Vorkom per ongeluk inschakelen. Controleer dat het elektrische gereedschap uitgeschakeld is voordat u de stekker in het stopcontact steekt of de accu aansluit en voordat u het gereedschap oppakt of draagt.** Wanneer u bij het dragen van het elektrische gereedschap uw vinger aan de schakelaar hebt of wanneer u het gereedschap ingeschakeld op de stroomvoorziening aansluit, kan dit tot ongevallen leiden.
- d) **Verwijder instelgereedschappen of schroefsleutels voordat u het gereedschap inschakelt.** Een instelgereedschap of sleutel in een draaiend deel van het gereedschap kan tot verwondingen leiden.
- e) **Probeer niet ver te reiken. Zorg ervoor dat u stevig staat en steeds in evenwicht blijft.** Daardoor kunt u het gereedschap in onverwachte situaties beter onder controle houden.
- f) **Draag geschikte kleding. Draag geen loshangende kleding of sieraden. Houd haren en kleding uit de buurt van bewegende delen.** Loshangende kleding, sieraden en lange haren kunnen door bewegende delen worden meegenomen.

- g) **Wanneer stofzuigings- of stofopvangvoorzieningen kunnen worden gemonteerd, dient u zich ervan te verzekeren dat deze zijn aangesloten en juist worden gebruikt.** Het gebruik van een stofzuiging beperkt het gevaar door stof.
- h) **Ondanks het feit dat u eventueel heel goed vertrouwd bent met het gebruik van gereedschappen, moet u ervoor zorgen dat u niet nonchalant wordt en veiligheidsvoorschriften voor het gereedschap gaat negeren.** Een onoplettende handeling kan binnen een fractie van een seconde ernstig letsel veroorzaken.
- 4) **GEREEDSCHAP EN ONDERHOUD VAN ELEKTRISCHE GEREEDSCHAPPEN**
- a) **Overbelast het gereedschap niet. Gebruik voor uw werkzaamheden het daarvoor bestemde elektrische gereedschap.** Met het passende elektrische gereedschap werkt u beter en veiliger binnen het aangegeven capaciteitsbereik.
- b) **Gebruik geen elektrisch gereedschap waarvan de schakelaar defect is.** Elektrisch gereedschap dat niet meer kan worden in- of uitgeschakeld, is gevaarlijk en moet worden gerepareerd.
- c) **Trek de stekker uit het stopcontact en/of neem de accu (indien uitneembaar) uit het elektrische gereedschap voordat u het elektrische gereedschap instelt, accessoires wisselt of het elektrische gereedschap opbergt.** Deze voorzorgsmaatregel voorkomt onbedoeld starten van het elektrische gereedschap.
- d) **Bewaar niet-gebruikte elektrische gereedschappen buiten bereik van kinderen. Laat het gereedschap niet gebruiken door personen die er niet mee vertrouwd zijn en deze aanwijzingen niet hebben gelezen.** Elektrische gereedschappen zijn gevaarlijk wanneer deze door onervaren personen worden gebruikt.
- e) **Verzorg het gereedschap zorgvuldig. Controleer of bewegende delen van het gereedschap correct functioneren en niet vastklemmen en of onderdelen zodanig gebroken of beschadigd zijn dat de werking van het gereedschap nadelig wordt beïnvloed. Laat beschadigde delen repareren voordat u het gereedschap gebruikt.** Veel ongevallen hebben hun oorzaak in slecht onderhouden elektrische gereedschappen.
- f) **Houd snijdende inzetgereedschappen scherp en schoon.** Zorgvuldig onderhouden snijdende inzetgereedschappen met scherpe snijkanten klemmen minder snel vast en zijn gemakkelijker te geleiden.
- g) **Gebruik elektrische gereedschappen, toebehoren, inzetgereedschappen en dergelijke volgens deze aanwijzingen. Let daarbij op de arbeidsomstandigheden en de uit te voeren werkzaamheden.** Het gebruik van elektrische gereedschappen voor andere dan de voorziene toepassingen kan tot gevaarlijke situaties leiden.
- h) **Houd handgrepen en greepvlakken droog, schoon en vrij van olie en vet.** Gladde handgrepen en greepvlakken verhinderen dat het gereedschap in onverwachte situaties veilig kan worden gehanteerd en bediend.
- 5) **SERVICE**
- a) **Laat het gereedschap alleen repareren door**

gekwalificeerd en vakkundig personeel en alleen met originele vervangingsonderdelen. Daarmee wordt gewaarborgd dat de veiligheid van het gereedschap in stand blijft.

VEILIGHEIDSVOORSCHRIFTEN VOOR SCHUURMACHINES

ALGEMEEN

- Deze machine mag niet worden gebruikt door personen onder de 16 jaar
- Deze machine is niet geschikt voor schuren met water
- Gebruik de machine nooit als het snoer is beschadigd; het moet worden vervangen door een speciaal gemaakt snoer dat verkrijgbaar is via de serviceorganisatie.
- **Bewerk geen asbesthoudend materiaal** (asbest geldt als kankerverwekkend)
- **Trek altijd de stekker uit het stopcontact voordat u een instelling verandert of een accessoire verwisselt**

ACCESSOIRES

- SKIL kan alleen een correcte werking van de machine garanderen, indien originele accessoires worden gebruikt
- Gebruik versleten, gescheurd of ernstig beschadigd schuurpapier niet meer

VOÓR GEBRUIK

- Controleer altijd of het voltage, dat vermeld staat op het typeplaatje van de machine, overeenkomt met de netspanning
- Voorkom schade, die kan ontstaan door schroeven, spijkers en andere voorwerpen in uw werkstuk; verwijder deze, voordat u aan een karwei begint
- Gebruik volledig uitgerolde en veilige verlengsnoeren met een capaciteit van 16 Ampère
- Tijdens het werken kan het geluidsniveau 85 dB(A) overschrijden; draag oorbeschermers
- Stof van materiaal zoals loodhoudende verf, sommige houtsoorten, mineralen en metaal kunnen schadelijk zijn (contact met of inademing van de stof kan allergische reacties en/of ademhalingsziekten bij gebruiker of omstanders veroorzaken); **draag een stofmasker en werk met een stofopvangvoorziening als die kan worden aangesloten**
- Bepaalde soorten stof zijn geclassificeerd als kankerverwekkend (zoals stof van eiken en beuken), met name in combinatie met toevoegingsmiddelen voor houtverzorging; **draag een stofmasker en werk met een stofopvangvoorziening als die kan worden aangesloten**
- Neem voor de door u te bewerken materialen de nationale voorschriften aangaande stofopvang in acht
- Draag beschermende handschoenen, veiligheidsbril, nauw sluitende kleding en haarbescherming (bij lange haren)
- Bij het schuren van metaal ontstaan vonken; gebruik de stofcontainer niet en houd andere personen en brandbaar materiaal van het werkgebied weg
- **Zet het werkstuk vast** (een werkstuk, dat is vastgezet met klemmen of in een bankschroef, zit steviger vast dan wanneer het met de hand wordt vastgehouden)

TIJDENS GEBRUIK

- Houd het snoer altijd verwijderd van de bewegende delen van uw machine; richt het snoer naar achteren, van de machine weg
- Kom niet in aanraking met het draaiend schuurpapier

- In geval van elektrische of mechanische storing, de machine onmiddellijk uitschakelen en de stekker uit het stopcontact trekken
- Raak het snoer niet aan, als dit tijdens de werkzaamheden wordt beschadigd of doorgesneden, maar trek onmiddellijk de stekker uit het stopcontact

NA GEBRUIK

- Als u de machine wegzet moet de motor uitgeschakeld zijn en de bewegende delen tot stilstand zijn gekomen

UITLEG VAN SYMBOLEN OP MACHINE

- ③ Lees de gebruiksaanwijzing vóór gebruik
- ④ Dubbele isolatie (geen aarddraad nodig)
- ⑤ Geef de machine niet met het huisvuil mee

GEBRUIK

- Bevestigen van schuurpapier ⑥
 - ! **trek de stekker uit het stopcontact**
 - ! **ten behoeve van stofzuiging altijd geperforeerd schuurpapier gebruiken**
 - ! **perforatie van het schuurpapier moet corresponderen met perforatie in de schuurvoet**
 - ! **vervang versleten schuurpapier tijdig**
 - ! **gebruik de machine alleen wanneer het hele schuuroppervlak met schuurpapier bedekt is**
- breng VELCRO-schuurpapier aan zoals afgebeeld
- Stofafzuiging
 - ! **gebruik stofcontainer/stofzuiger niet bij het schuren van metaal**
- Stofcontainer ⑦
 - ledig stofcontainer A regelmatig voor optimale stofafzuiging
 - verwijder stofcontainer A door stofcontainer A naar achteren te trekken
- Voor gebruik van stofzuiger
 - stofzuigeraansluitstuk D zoals afgebeeld bevestigen ⑧a
 - sluit stofzuigerslang aan op adapter stofzuiger D ⑧b
- Aan/uit schakelaar
 - schakel machine aan/uit door schakelaar naar binnen/buiten te drukken
 - ! **voordat het schuuroppervlak in aanraking komt met het werkstuk, moet u de machine aanzetten**
 - ! **voordat u de machine uitschakelt, dient u deze van het werkstuk op te lichten**
- Vasthouden en leiden van de machine ⑨
 - ! **houd de machine tijdens het werk altijd vast bij het(de) grijs-gekleurde greepvlak(ken)**
 - geleid u machine parallel aan het werkoppervlak
 - ! **oefen niet te veel druk uit op de machine; laat het schuuroppervlak het werk voor u doen**
 - zet uw machine niet schuin op het werkstuk ter voorkoming van ongewenste schuursporen
 - houd ventilatie-openingen C ② onbedekt

TOEPASSINGSADVIES

- Gebruik de machine voor het schuren van grote oppervlakken, hoeken en randen ⑩
- Een rechtlijnige beweging met de nerf van het hout mee geeft het beste resultaat
 - voor het afwerken van kaal hout
 - voor extra fijne afwerking
- Gebruik nooit hetzelfde schuurpapier voor hout en metaal

- Aanbevolen schuurpapierkorrel:
 - gebruik korrelgrootte "grof" voor het verwijderen van verf en schuren van uiterst ruw hout (40, 60)
 - gebruik korrelgrootte "middel" voor het schuren van ruw of gewoon hout (80, 100, 120)
 - gebruik korrelgrootte "fijn" voor het glad maken van hout en oppervlakken met oude verf evenals voor het afwerken van kaal hout (180, 240, 320)
- Gebruik verschillende korrelgroottes, wanneer het te schuren oppervlak ruw is:
 - begin te schuren met korrel grof of middel
 - eindig met korrel fijn
- Voor meer informatie zie www.skil.com

ONDERHOUD / SERVICE

- Deze machine is niet bedoeld voor professioneel gebruik
- Houd machine en snoer altijd schoon (met name de ventilatie-openingen C ②)
 - veeg achtergebleven schuurstof met een kwast weg
- ! **trek de stekker uit het stopcontact vóór het reinigen**
- Mocht het elektrische gereedschap ondanks zorgvuldige fabricage- en testmethoden toch defect raken, dient de reparatie te worden uitgevoerd door een erkende klantenservice voor SKIL elektrische gereedschappen
 - stuur de machine **ongedemonteerd**, samen met het aankoopbewijs, naar het verkoopadres of het dichtstbijzijnde SKIL service-station (de adressen evenals de onderdeeltekening van de machine vindt u op www.skil.com)
- Denk erom, dat beschadigingen als gevolg van overbelasting of onjuist gebruik van de machine niet onder de garantie vallen (voor de garantievoorwaarden van SKIL zie www.skil.com of raadpleeg uw dealer)

MILIEU

- **Geef elektrisch gereedschap, accessoires en verpakkingen niet met het huisvuil mee** (alleen voor EU-landen)
 - volgens de Europese richtlijn 2012/19/EG inzake oude elektrische en elektronische apparaten en de toepassing daarvan binnen de nationale wetgeving, dient afgedankt elektrisch gereedschap gescheiden te worden ingezameld en te worden afgevoerd naar een recycle-bedrijf, dat voldoet aan de geldende milieueisen
 - symbool ⑤ zal u in het afdankstadium hieraan herinneren

GELUID / VIBRATIE

- Gemeten in navolging van EN 62841 is het geluidsdruk niveau van deze machine 73,0 dB(A) en het geluidsvermogensniveau 84,0 dB(A) (onzekerheid K = 3 dB), en de trilling 4,1 m/s² (triax vector som; onzekerheid K = 1,5 m/s²)
- Het trillingsemissieniveau is gemeten in overeenstemming met een gestandaardiseerde test volgens EN 62841; deze mag worden gebruikt om twee machines met elkaar te vergelijken en als voorlopige beoordeling van de blootstelling aan trilling bij gebruik van de machine voor de vermelde toepassingen
 - gebruik van de machine voor andere toepassingen, of met andere of slecht onderhouden accessoires, kan

- het blootstellingsniveau aanzienlijk **verhogen**
- wanneer de machine is uitgeschakeld of wanneer deze loopt maar geen werk verricht, kan dit het blootstellingsniveau aanzienlijk **reduceren**
- ! bescherm uzelf tegen de gevolgen van trilling door de machine en de accessoires te onderhouden, uw handen warm te houden en uw werkwijze te organiseren**

S

Multislipmaskin

7260

INTRODUKTION

- Det här verktyget är avsett för torrslipning och slipning av trä, målade ytor, plast och fyllmassa
- Det här verktyget är inte avsett för yrkesmässig användning
- Läs och spara denna instruktionsbok ③

TEKNISKA DATA ①

VERKTYGSELEMENT ②

- A Dammuppsamlare
 - B Till/från strömbrytare
 - C Ventilationsöppningar
 - D Dammsugaradapter*
- * INGÅR EJ SOM STANDARD

SÄKERHET

ALLMÄNNA SÄKERHETSANVISNINGAR FÖR ELVERKTYG

⚠ VARNING Studera alla varningar, anvisningar, bilder och specifikationer gällande säkerhet som medföljer verktyget. Om anvisningarna inte följs kan det resultera i elektriska stötar, brand och/eller allvarliga personskador.

Förvara alla varningar och anvisningar för framtida bruk.

Nedan använt begrepp "elverktyg" hänför sig till nätdrivna elverktyg (med nätsladd) och till batteridrivna elverktyg (sladdlösa).

1) ARBETSPLATSSÄKERHET

- a) **Håll arbetsplatsen ren och välbelyst.** Oordning på arbetsplatsen eller dåligt belyst arbetsområde kan leda till olyckor.
- b) **Använd inte elverktyget i explosionsfarlig omgivning med brännbara vätskor, gaser eller damm.** Elverktygen alstrar gnistor som kan antända dammet eller gaserna.
- c) **Håll under arbetet med elverktyget barn och obehöriga personer på betryggande avstånd.** Om du störs av obehöriga personer kan du förlora kontrollen över elverktyget.

2) ELEKTRISK SÄKERHET

- a) **Elverktygets stickpropp måste passa till vägguttaget. Stickproppen får absolut inte förändras. Använd inte adapterkontakter**

tillsammans med skyddsjordade elverktyg.

Oförändrade stickproppar och passande vägguttag reducerar risken för elektriskt slag.

- b) **Undvik kroppskontakt med jordade ytor som t. ex. rör, värmeelement, spisar och kylskåp.** Det finns en större risk för elektriskt slag om din kropp är jordad.
 - c) **Skydda elverktyget mot regn och väta.** Tränger vatten in i ett elverktyg ökar risken för elektriskt slag.
 - d) **Missbruka inte nätsladden och använd den inte för att bära eller hänga upp elverktyget och inte heller för att dra stickproppen ur vägguttaget. Håll nätsladden på avstånd från värme, olja, skarpa kanter och rörliga maskindelar.** Skadade eller tilltrasslade ledningar ökar risken för elektriskt slag.
 - e) **När du arbetar med ett elverktyg utomhus använd endast förlängningssladdar som är godkända för utomhusbruk.** Om en lämplig förlängningssladd för utomhusbruk används minskar risken för elektriskt slag.
 - f) **Använd en jordfelsbrytare om det inte är möjligt att undvika elverktygets användning i fuktig miljö.** Genom att använda en jordfelsbrytare minskar risken för elstöt.
- #### 3) PERSONSÄKERHET
- a) **Var uppmärksam, kontrollera vad du gör och använd elverktyget med förnuft. Använd inte elverktyget när du är trött eller om du är påverkad av droger, alkohol eller mediciner.** Under användning av elverktyg kan även en kort uppmärksamhet leda till allvarliga kroppsskador.
 - b) **Bär alltid personlig skyddsutrustning och skyddsglasögon.** Användning av personlig skyddsutrustning som t. ex. dammfiltermask, halkfria säkerhetsskor, skyddshjälm och hörselskydd reducerar alltefter elverktygets typ och användning risken för kroppsskada.
 - c) **Undvik oavsiktlig igångsättning. Kontrollera att elverktyget är fränkopplat innan du ansluter stickproppen till vägguttaget och/eller ansluter/tar bort batteriet, tar upp eller bär elverktyget.** Om du bär elverktyget med fingret på strömställaren eller ansluter påkopplat elverktyg till nätströmmen kan olycka uppstå.
 - d) **Ta bort alla inställningsverktyg och skruvnycklar innan du kopplar på elverktyget.** Ett verktyg eller en nyckel i en roterande komponent kan medföra kroppsskada.
 - e) **Överskatta inte din förmåga. Se till att du står stadigt och håller balansen.** I detta fall kan du lättare kontrollera elverktyget i oväntade situationer.
 - f) **Bär lämpliga kläder. Bär inte löst hängande kläder eller smycken. Håll håret och kläderna på avstånd från de rörliga delarna.** Löst hängande kläder, smycken och långt hår kan dras in av roterande delar.
 - g) **Vid elverktyg med dammutsugnings- och uppsamlingsutrustning kontrollera att anordningarna är rätt monterade och används på korrekt sätt.** Användning av dammutsugning minskar de risker damm orsakar.
 - h) **Låt inte vanan att ofta använda verktygen göra att du blir slarvig och ignorerar verktygets säkerhetsprinciper.** En vårdslös åtgärd kan leda till allvarlig personskada inom bråkdelen av en sekund.

4) OMSORGSFULL HANTERING OCH ANVÄNDNING AV ELVERKTYG

- a) **Överbelasta inte elverket. Använd för aktuellte arbete avsett elverktyg.** Med ett lämpligt elverktyg kan du arbeta bättre och säkrare inom angivet effektområde.
- b) **Ett elverktyg med defekt strömställare får inte längre användas.** Ett elverktyg som inte kan kopplas in eller ur är farligt och måste repareras.
- c) **Dra stickproppen ur vägguttaget och/eller ta bort batteriet, om det kan tas ut ur elverket, innan inställningar utförs, tillbehör delar byts ut eller elverket lagras.** Denna skyddsåtgärd förhindrar oavsiktlig inkoppling av elverket.
- d) **Förvara elverktygen oåtkomliga för barn. Låt elverket inte användas av personer som inte är förtrogna med dess användning eller inte läst denna anvisning.** Elverket är farliga om de används av oerfarna personer.
- e) **Underhåll elverktyg och tillbehör omsorgsfullt. Kontrollera att rörliga komponenter fungerar felfritt och inte kärvar, att komponenter inte brustit eller skadats; orsaker som kan leda till att elverktygets funktioner påverkas menligt. Låt skadade delar repareras innan elverket återanvänds.** Många olyckor orsakas av dåligt skötta elverktyg.
- f) **Håll skärverktygen skarpa och rena.** Omsorgsfullt skötta skärverktyg med skarpa egg kommer inte så lätt in i kläm och går lättare att styra.
- g) **Använd elverket, tillbehör, insatsverktyg osv. enligt dessa anvisningar. Ta hänsyn till arbetsvillkoren och arbetsmomenten.** Används elverket på icke ändamålsenligt sätt kan farliga situationer uppstå.
- h) **Håll handtag och greppytor torra, rena och fria från olja och fett.** Hala handtag och greppytor ger ingen säker hantering och kontroll över verktyget i oväntade situationer.

5) SERVICE

- a) **Låt elverket repareras endast av kvalificerad fackpersonal och med originalreservdelar.** Detta garanterar att elverktygets säkerhet upprätthålls.

SÄKERHETSANVISNINGAR FÖR SLIPMASKINER

ALLMÄNT

- Den här maskinen ska inte användas av personer under 16 år
- Denna maskin är inte lämplig till vattenslipning
- Använd aldrig verktyget om sladden är skadad; den måste bytas mot en särskilt utformad sladd som finns via serviceorganisationen.
- **Asbesthaltigt material får inte bearbetas** (asbest anses vara cancerframkallande)
- **Dra alltid ur stickkontakten från väggurtaget innan du gör någon justering eller byter tillbehör**

TILLBEHÖR

- SKIL kan endast garantera att maskinen fungerar felfritt om originaltillbehör används
- Förslitna, rivna eller kraftigt igensatta slippapper får ej användas

FÖRE ANVÄNDNINGEN

- Kontrollera alltid att den tillförda strömtypen stämmer med spänningen som anges på maskinens märkplåt

- Undvik skador genom att ta bort skruvar, spikar eller andra föremål ur arbetsstycket; ta dem bort innan du startar ett arbete
- Använd helt uttrullade och säkra förlängningssladdar med kapacitet på 16 A
- Ljudnivån vid arbete kan överskrida 85 dB(A); använd hörselskydd
- Viss typ av damm, exempelvis färg som innehåller bly, vissa träsorter, mineraler och metaller kan vara hälsovådliga om de inhaleras (hudkontakt eller inhalering kan ge allergisk reaktion och/eller luftvägsproblem/sjukdom hos personer i närheten); **använd andningsskydd och arbeta med en dammuppsamlare om sådan anslutning finns**
- Vissa typer av damm är klassificerade så som carcinogena (t.ex. ek- och björkdamm) särskilt i kombination med tillsatser för träbehandling; **använd andningsskydd och arbeta med en dammuppsamlare om sådan anslutning finns**
- Följ de nationella krav, som finns angående damm, för de material du skall arbeta med
- Använd skyddshandskar, skyddsglasögon, åtsittande kläder och hårmät (för långt hår)
- Vid slipning av metall bildas gnistor; använd inte dammuppsamlaren och håll andra personer och antändbart material på avstånd från arbetsområdet
- **Sätt fast arbetsstycket** (ett arbetsstycke fastsatt med skruvtvingar eller i ett skruvståd är mera stabilt än om det hålls fast för hand)

UNDER ANVÄNDNINGEN

- Håll alltid sladden på säker avstånd från rörliga maskindelar; för sladden bakåt bort från maskinen
- Berör inte roterande slippapper
- I händelse av onormala elektriska eller mekaniska störningar, stäng genast av maskinen och dra ur stickkontakten
- Skadas eller kapas nätsladden under arbetet, rör inte vid sladden utan dra genast ut stickkontakten

EFTER ANVÄNDNINGEN

- När du ställer ifrån dig maskinen måste motorn vara franslagen och de rörliga delarna ska ha stannat fullständigt

FÖRKLARING AV SYMBOLERNA PÅ VERKTYGET

- ③ Läs bruksanvisningen före användning
- ④ Dubbel isolering (ingen jordning krävs)
- ⑤ Maskinen får inte kastas i hushållssoporna

ANVÄNDNING

- Montering av slippapper ⑥
 - ! drag ur stickkontakten
 - ! dammuppsamlingen kräver perforerat slippapper
 - ! perforering i slippappret ska överensstämma med hålen i slippattan
 - ! byt slitna slippapper i tid
 - ! använd maskinen alltid med hela slipytan täckt med slippapper
 - montera VELCRO-slippapperet enligt bilden
- Dammuppsugning
 - ! använd inte dammuppsamlaren/dammsugare när du slipar metall
 - Dammuppsamlare ⑦
 - töm dammuppsamlaren A regelbundet för att få bäst dammuppsugning
 - ta bort dammbehållaren A genom att dra den A bakåt

För användning med dammsugare

- monter dammsugartillbehör D enligt bilden ⑧a
- anslut dammsugarslangen till dammsugaradaptorn D ⑧b

• Till/från strömbrytare

- starta/stäng av verktyget genom att trycka på strömbrytaren inåt/utåt

! innan slipytan sätts till arbetsstycket skall maskinen ha startats

! maskinen skall tas bort från arbetsstycket innan den stängs av

• Fattning och styrning av maskinen ⑨

! under arbetet, håll alltid verktyget i det grå greppet

- styr maskinen parallellt mot arbetsytan

! lägg inte för mycket tryck på maskinen; låt slipytan göra arbetet åt dig

- luta ej maskinen för att undvika oönskade slipmärken
- håll ventilationsöppningarna C ② ej övertäckta

ANVÄNDNINGSTIPS

- Använd verktyget för slipning av stora ytor, hörn och kanter ⑩
- Föra maskinen långs med ådringen i virket
 - vid slipning av naturträ
 - vid extra fin finputsning
- Använd aldrig samma slippapper för trä och metall
- Rekommenderade slippapperkorn:
 - vid borttagning av färg och slipning av extremt ohyvlat trä används grova kornstorlekar (40, 60)
 - vid slipning av ohyvlat eller hyvlat trä används medelgrova kornstorlekar (80, 100, 120)
 - vid finbearbetning av trä och ytor med gammal färg, såväl som slipning av naturträ används fina kornstorlekar (180, 240, 320)
- Använd olika korn vid arbete med ohyvlade ytor:
 - börja slipa med grov eller medium korn
 - avsluta med fin korn
- Besök www.skil.com för mer information

UNDERHÅLL / SERVICE

- Det här verktyget är inte avsedd för yrkesmässig användning
- Håll alltid din maskin och sladden ren (speciellt ventilationsöppningarna C ②)
 - avlägsna med en pensel slipdamm som sätter sig på maskinen
- ! drag ur stickkontakten innan rengöring**
- Om i elverktyget trots exakt tillverkning och sträng kontroll störning skulle uppstå, bör reparation utföras av auktoriserad serviceverkstad för SKIL elverktyg
 - sänd in verktyget i **odemonterat skick** tillsammans med inköpsbevis till försäljaren eller till närmaste SKIL serviceverkstad (adresser till servicestationer och sprängskisser av maskiner finns på www.skil.com)
- Observera att skada till följd av ovarsamhet eller överbelastning inte täcks av garantin (för SKIL garantivillkor gå till www.skil.com eller fråga återförsäljaren)

MILJÖ

- **Elektriska verktyg, tillbehör och förpackning får inte kastas i hushållssoporna** (gäller endast EU-länder)
 - enligt direktivet 2012/19/EG som avser äldre elektrisk och elektronisk utrustning och dess tillämpning enligt nationell lagstiftning ska uttjänta elektriska verktyg sorteras separat och lämnas till miljövänlig återvinning
 - symbolen ⑤ kommer att påminna om detta när det är tid att kassera

LJUD / VIBRATION

- Det här verktygets ljudtrycksnivå som mätts enligt EN 62841 är 73,0 dB(A), ljudeffektnivån är 84,0 dB(A) (osäkerhet K = 3 dB) och vibrationen 4,1 m/s² (triax vektorsumma; osäkerhet K = 1,5 m/s²)
- Vibrationsemissionsvärdet har uppmätts enligt ett standardiserat test i enlighet med EN 62841; detta värde kan användas för att jämföra vibrationen hos olika verktyg och som en ungefärlig uppskattning av hur stor vibration användaren utsätts för när verktyget används enligt det avsedda syftet
 - om verktyget används på ett annat än det avsedda syftet eller med fel eller dåligt underhållna tillbehör kan detta drastiskt **öka** vibrationsnivån
 - när verktyget stängs av eller är på men inte används, kan detta avsevärt **minska** vibrationsnivån
- ! skydda dig mot vibration genom att underhålla verktyget och dess tillbehör, hålla händerna varma och styra upp ditt arbetssätt**

DK

Multisliber

7260

INLEDNING

- Dette værktøj er beregnet til tør slibning og finpudsning af træ, lakerede overflader, plast og spartelmasse
- Dette værktøj er ikke beregnet til professionelt brug
- Læs og gem denne betjeningsvejledning ③

TEKNISKE DATA ①

VÆRKTØJETS DELE ②

- A Støvboks
- B Tænd/sluk afbryder
- C Ventilationshuller
- D Støvsugeradaptere*

* MEDFØLGER IKKE SOM STANDARD

SIKKERHED

GENERELLE SIKKERHEDSINSTRUKSER FOR EL-VÆRKTØJ

⚠ ADVARSEL Læs alle sikkerhedsadvarsler, instruktioner, illustrationer og specifikationer, der leveres med dette elektriske værktøj. Hvis alle instruktioner opført herunder ikke følges, kan det medføre elektrisk stød, brand og/eller alvorlige kvæstelser.

Gem alle advarsler og instruktioner til senere brug.

Begrebet "elværktøj" i advarslerne refererer til elværktøj, der kører på lysnettet (med netkabel) samt batteridrevet værktøj (uden netkabel).

1) SIKKERHED PÅ ARBEJDSPLADSEN

- a) **Sørg for, at arbejdsområdet er rent og ryddeligt.** Uorden eller uoplyste arbejdsområder øger faren for uheld.
- b) **Brug ikke elværktøjet i eksplosionstruede omgivelser, hvor der er brændbare væsker, gasser eller støv.** Elværktøj kan slå gnister, der kan antænde støv eller dampe.
- c) **Sørg for, at andre personer og ikke mindst børn holdes væk fra arbejdsområdet, når el-værktøjet er i brug.** Hvis man distraheres, kan man miste kontrollen over elværktøjet.

2) ELEKTRISK SIKKERHED

- a) **Elværktøjets stik skal passe til kontakten. Stikket må under ingen omstændigheder ændres. Brug ikke adapterstik sammen med jordforbundet elværktøj.** Uændrede stik, der passer til kontakterne, nedsætter risikoen for elektrisk stød.
- b) **Undgå kropskontakt med jordforbundne overflader som f.eks. rør, radiatorer, komfurer og køleskabe.** Hvis din krop er jordforbundet, øges risikoen for elektrisk stød.
- c) **Elværktøjet må ikke udsættes for regn eller fugt.** Indtrængning af vand i et elværktøj øger risikoen for elektrisk stød.
- d) **Brug ikke ledningen til formål, den ikke er beregnet til. Du må aldrig bære elværktøjet i ledningen, hænge elværktøjet op i ledningen eller rykke i ledningen for at trække stikket ud af kontakten. Beskyt ledningen mod varme, olie, skarpe kanter eller maskindele, der er i bevægelse.** Beskadigede eller udviklede ledninger øger risikoen for elektrisk stød.
- e) **Hvis elværktøjet benyttes i det fri, må der kun benyttes en forlængerledning, der er egnet til udendørs brug.** Brug af forlængerledning til udendørs brug nedsætter risikoen for elektrisk stød.
- f) **Hvis det ikke kan undgås at bruge elværktøjet i fugtige omgivelser, skal der bruges et HFI-relæ.** Brug af et HFI-relæ reducerer risikoen for at få elektrisk stød.

3) PERSONLIG SIKKERHED

- a) **Det er vigtigt at være opmærksom, se, hvad man laver, og bruge el-værktøjet fornuftigt. Brug ikke noget el-værktøj, hvis du er træt, har nydt alkohol eller er påvirket af medikamenter eller euforiserende stoffer.** Få sekunders uopmærksomhed ved brug af el-værktøjet kan føre til alvorlige personskader.
- b) **Brug beskyttelsesudstyr og hav altid beskyttelsesbriller på.** Brug af sikkerhedsudstyr som f.eks. støvmaske, skridsikert fodtøj, beskyttelseshjelm eller høreværn afhængig af maskintype og anvendelse nedsætter risikoen for personskader.
- c) **Undgå utilsigtet igangsætning. Kontrollér, at el-værktøjet er slukket, før du tilslutter det til strømtilførslen og/eller akkuen, løfter eller bærer det.** Undgå at bære el-værktøjet med fingeren på afbryderen og sørg for, at el-værktøjet ikke er tændt, når det slutes til nettet, da dette øger risikoen for

personskader.

- d) **Gør det til en vane altid at fjerne indstillingsværktøj eller skruenøgle, før el-værktøjet tændes.** Hvis et stykke værktøj eller en nøgle sidder i en roterende maskindel, er der risiko for personskader.
 - e) **Undgå en unormal legemsgenstand. Sørg for at stå sikkert, mens der arbejdes, og kom ikke ud af balance.** Dermed har du bedre muligheder for at kontrollere el-værktøjet, hvis der skulle opstå uventede situationer.
 - f) **Brug egnet arbejdstøj. Undgå løse beklædningsgenstande eller smykker. Hold hår og tøj væk fra dele, der bevæger sig.** Dele, der er i bevægelse, kan gribe fat i løstsiddende tøj, smykker eller langt hår.
 - g) **Hvis støvudsugnings- og opsamlingsudstyr kan monteres, er det vigtigt, at dette tilsluttes og benyttes korrekt.** Brug af en støvsugning kan reducere støvmængden og dermed den fare, der er forbundet støv.
 - h) **Selvom du kender værktøjet godt og er vant til at bruge det, skal du alligevel være opmærksom og overholde sikkerhedsanvisningerne.** Et øjeblik uopmærksomhed kan medføre alvorlige personskader.
- ### 4) OMHYGGELIG OMGANG MED OG BRUG AF EL-VÆRKTØJ
- a) **Undgå overbelastning af el-værktøjet. Brug altid et el-værktøj, der er beregnet til det stykke arbejde, der skal udføres.** Med det passende el-værktøj arbejder man bedst og mest sikkert inden for det angivne effektområde.
 - b) **Brug ikke et el-værktøj, hvis afbryder er defekt.** Et el-værktøj, der ikke kan startes og stoppes, er farligt og skal repareres.
 - c) **Træk stikket ud af stikkontakten og/eller fjern akkuen, hvis den er aftagelig, før maskinen indstilles, før skift af tilbehørsdele eller før el-værktøjet lægges til opbevaring.** Disse sikkerhedsforanstaltninger forhindrer utilsigtet start af el-værktøjet.
 - d) **Opbevar ubenyttet el-værktøj uden for børns rækkevidde. Lad aldrig personer, der ikke er fortrolige med el-værktøjet eller ikke har gennemlæst disse instrukser, benytte el-værktøjet.** El-værktøj er farligt, hvis det benyttes af ukyndige personer.
 - e) **Vedligehold el-værktøj og tilbehørsdele. Kontroller, om bevægelige maskindele fungerer korrekt og ikke sidder fast, og om delene er brækket eller beskadiget, således at el-værktøjets funktion påvirkes. Få beskadigede dele repareret, inden el-værktøjet tages i brug.** Mange uheld skyldes dårligt vedligeholdte el-værktøjer.
 - f) **Sørg for, at skæreværktøjer er skarpe og rene.** Omhyggeligt vedligeholdte skæreværktøjer med skarpe skærekanter sætter sig ikke så hurtigt fast og er nemmere at føre.
 - g) **Brug el-værktøj, tilbehør, indsatsværktøj osv. iht. disse instrukser. Tag hensyn til arbejdsforholdene og det arbejde, der skal udføres.** Anvendelse af el-værktøjet til formål, som ligger uden for dets fastsatte anvendelsesområde, kan føre til farlige situationer.
 - h) **Hold håndtag og gribeblader tørre, rene og fri for olie**

og smørefedt. Hvis håndtag og gribeblader er glatte, kan værktøjet ikke håndteres og styres sikkert, hvis der sker noget uventet.

5) SERVICE

- a) **Sørg for, at el-værktøj kun repareres af kvalificerede fagfolk og at der kun benyttes originale reservedele.** Dermed sikres størst mulig maskinsikkerhed.

SIKKERHEDSINSTRUKSER FOR SLIBEMASKINER

GENERELT

- Dette værktøj må ikke bruges af personer under 16 år
- Denne værktøj er ikke egnet til vandslibning
- Anvend aldrig værktøjet, hvis ledningen er beskadiget. Den skal udskiftes med en specielt forberedt ledning, der kan fås gennem kundeservice.

- **Arbejd ikke asbestholdigt materiale** (asbest er kræftfremkaldende)

- **Fjern altid først stikket fra kontakten, før De foretager nogle ændringer eller skifter tilbehør**

TILBEHØR

- SKIL kan kun sikre en korrekt funktion af værktøjet, hvis der benyttes originalt tilbehør
- Slide, revneede eller hårdt angrebne slibepapir må ikke benyttes

INDEN BRUG

- Kontroller altid at forsyningsspændingen er den samme som den spænding, der er anført på værktøjets navneskilt
- Undgå skader forårsaget af skruer, søm eller andre materialer i arbejdsstykket; fjern disse før De begynder at arbejde
- Anvend helt udrullede og sikre forlængerledninger med en kapacitet på 16 A
- Under arbejde med værktøjet kan lydniveauet overstige 85 dB(A); brug høreværn
- Støv fra materiale som f.eks. maling, der indeholder bly, nogle træsorter, mineraler og metal kan være skadeligt (kontakt med eller indånding af støvet kan forårsage allergiske reaktioner og/eller sygdomme i luftvejene hos den, der anvender værktøjet, eller hos omkringstående); **bær en støvmaske og arbejd med en støvudsugningsanordning, hvor en sådan kan sluttes til**
- Visse slags støv er klassificeret som kræftfremkaldende (som f.eks. støv fra eg og bøg) især i forbindelse med tilsætningsstoffer til træbehandling; **bær en støvmaske og arbejd med en støvudsugningsanordning, hvor en sådan kan sluttes til**
- Følg de nationale krav, hvad angår støv, for de materialer, du ønsker at arbejde med
- Bær beskyttelseshandsker, beskyttelsesbriller, tætsiddende tøj og hårbeskyttelse (for langt hår)
- Ved slibning af metal, opstår gnister; brug ikke støvboks og hold andre personer, såvel som brandbare materialer væk fra arbejdsstedet
- **Fastgør emnet** (det er sikrere at holde emner i en fastgøringsanordning eller skruestik end med hånden)

UNDER BRUG

- Hold altid ledningen væk fra værktøjets bevægelige dele; før altid ledningen bagud, væk fra værktøjet
- Undgå berøring med det løbende slibepapir
- I tilfælde af elektrisk eller mekanisk fejlfunktion skal afbryderen straks afbrydes og stikket tages ud af kontakten

- Hvis kablet beskadiges eller skæres over under arbejdet, ikke berør kablet, og straks træk ud stikket

EFTER BRUG

- Efter endt arbejde skal afbryderen afbrydes og alle bevægelige dele være stoppet før værktøjet sættes til side

FORKLARING TIL SYMBOLERNE PÅ VÆRKTØJET

- ③ Læs instruktionen inden brugen
- ④ Dobbelt isolering (jordforbindelse unødvendig)
- ⑤ Værktøj må ikke bortskaffes som almindeligt affald

BETJENING

- Påsætning af slibepapir ⑥
 - ! **træk stikket ud af kontakten**
 - ! **støvopsugning kræver perforeret slibepapir**
 - ! **perforeringen i slibepapiret skal passe til perforeringen i sålen**
 - ! **skift slibepapiret i tide**
 - ! **anvend værktøjet altid med hele slibefladen dækket med slibepapir**
 - monter VELCRO-slibepapiret som vist på illustrationen
- Støvopsugning
 - ! **brug ikke støvboks/støvsuger når metal slibes**
 - Støvboks ⑦
 - tøm støvboks A med regelmæssige mellemrum for optimal støvopsugning
 - afmonter støvboksen A ved at trække støvboksen A bagud
 - Ved anvendelse af støvsuger
 - monter støvsugeradapter D som angivet ⑧a
 - slut støvsugerlangen til støvsugeradapteren D ⑧b
- Tænd/sluk afbryder
 - start/afbryd værktøjet ved at skubbe afbryderen ind/ud
 - ! **tænd for værktøjet før det berører arbejdsemnet**
 - ! **for der slukkes for værktøjet, skal det løftes op fra arbejdsemnet**
- Håndtering og styring af værktøjet ⑨
 - ! **under arbejde, hold altid om værktøjet på de grå markerede grebsområde(r)**
 - hold altid værktøjet parallelt med emnets overflade
 - ! **pres ikke for hårdt på værktøjet; lad slibefladen gøre arbejdet for dig**
 - rejs ikke dit værktøj lodret, hvis slibemærker i emnet vil undgå
 - hold ventilationshullerne C ② utildækkede

GODE RÅD

- Brug værktøjet til slibning af store overflader, hjørner og kanter ⑩
- Anbefales at slibe langs med årene i træ
 - ved slibning af ubehandlet træ
 - for at opnå ekstra finpudsning
- Brug aldrig det samme slibepapir til slibning af metal og træ
- Anbefalet slibepapirkorn:
 - ved fjernelse af maling og ved slibning af meget ru træ bruges grove kornstørrelser (40, 60)
 - ved slibning af ru eller almindelig træ bruges mellem kornstørrelse (80, 100, 120)
 - ved pudsning af træ og overflader med gammel maling såvel som ved pudsning af ubehandlet træ bruges fin kornstørrelse (180, 240, 320)

- Bruk forskjellige kornstørrelser når arbeidsemnets overflate er ru:
 - begyndt å slibe med en grov eller mellom kornstørrelse
 - slut med en fin kornstørrelse
- Se yderligere opplysninger på www.skil.com

VEDLIGEHOLDELSE/SERVICE

- Dette værktøy er ikke beregnet til profesjonelt bruk
- Hold værktøyet og ledningen ren (især ventilationshullerne C ②)
 - fjern fasthængende slibestøv med en pensel
- ! **træk stikket ud før rensning**
- Skulle elværktøjet trods omhyggelig fabrikasjon og kontrol skulle holde op med å fungere, skal reparasjonen udføres af et autoriseret serviceværksted for SKIL-elektroverktøy
 - send det **ikke adskilte** værktøy sammen med et kobsbevis til forhandleren eller nærmeste SKIL-serviceværksted (adresser og reservedelstegning af værktøjet findes på www.skil.com)
- Husk, at beskadigelse som følge af overbelastning eller forkert håndtering af værktøjet ikke er omfattet af garantien (se www.skil.com vedrørende SKIL-garantibetingelserne, eller spørge din forhandler)

MILJØ

- **Elværktøj, tilbehør og emballage må ikke bortskaffes som almindeligt affald** (kun for EU-lande)
 - i henhold til det europæiske direktiv 2012/19/EF om bortskaffelse af elektriske og elektroniske produkter og gældende national lovgivning, skal brugt elværktøj indsamles separat og bortskaffes på en måde, der skåner miljøet mest mulig
 - symbolet ⑤ erindrer dig om dette, når udskiftning er nødvendig

STØJ / VIBRATION

- Målt i henhold til EN 62841 er lydtrykniveaueet for dette værktøj 73,0 dB(A) og lydeffektniveaueet 84,0 dB(A) (usikkerhed K = 3 dB), og vibrationen 4,1 m/s² (triax vector sum); usikkerhed K = 1.5 m/s²)
- Vibrationsniveaueet er målt i henhold til den standardiserede test som anført i EN 62841. Det kan benyttes til å sammenligne to stykker værktøj og som en foreløbig bedømmelse af udsættelsen for vibrationer, når værktøjet anvendes til de nævnte form
 - anvendes værktøjet til andre formål eller med andet eller dårligt vedligeholdt tilbehør, kan dette **øge** udsættelsesniveaueet betydeligt
 - de tidsrum, hvor værktøjet er slukket, eller hvor det kører uden reelt å utføre noget arbejde, kan **reducere** udsættelsesniveaueet betydeligt
- ! **beskyt dig selv imod virkningerne af vibrationer ved å vedligeholde værktøjet og dets tilbehør, ved å holde dine hender varme og ved å organisere dine arbeidsmønstre**

- Dette verktøyet er ikke beregnet på profesjonell bruk
- Les og ta vare på denne brukerveiledningen ③

TEKNISKE DATA ①

VERKTØYELEMENTER ②

- A Støvboks
 - B Av/på bryter
 - C Ventilasjonsåpninger
 - D Støvsugeradapter*
- * IKKE INKLUDERT SOM STANDARD

SIKKERHET

GENERELLE ADVARSLER FOR ELEKTROVERKTØY

⚠ ADVARSEL Les alle sikkerhetsadvarsler, instruksjoner, illustrasjoner og spesifikasjoner som følger med dette elektroverktøyet. Hvis du unnlater å følge noen av instruksjonene som er listet opp ovenfor, kan det føre til elektrisk støt, brann og/eller alvorlige personskader.

Ta godt vare på alle advarslene og informasjonene.

Det nedenstående anvendte uttrykket "elektroverktøy" gjelder for strøm-drevne (med ledning) og batteridrevne elektroverktøy (uten ledning).

1) SIKKERHET PÅ ARBEIDSPLASSEN

- a) **Hold arbeidsområdet rent og ryddig.** Rotete arbeidsområder eller arbeidsområder uten lys kan føre til ulykker.
- b) **Ikke arbeid med elektroverktøyet i eksplosjonsfarlige atmosfærer – der det finnes søg brennbare væsker, gass eller støv.** Elektroverktøyet lager gnister som kan antenne støv eller damper.
- c) **Hold barn og andre personer unna når elektroverktøyet brukes.** Hvis du blir forstyrret under arbeidet, kan du miste kontrollen over elektroverktøyet.

2) ELEKTRISK SIKKERHET

- a) **Støpselet til elektroverktøyet må passe inn i stikkontakten. Støpselet må ikke forandres på noen som helst måte. Ikke bruk adapterstøpsler sammen med jordede maskiner.** Bruk av støpsler som ikke er forandret på og passende stikkontakter reduserer risikoen for elektriske støt.
- b) **Unngå kroppskontakt med jordede overflater slik som rør, ovner, komfyrer og kjøleskap.** Det er større fare ved elektriske støt hvis kroppen din er jordet.
- c) **Hold elektroverktøyet unna regn eller fuktighet.** Dersom det kommer vann i et elektroverktøy, øker risikoen for elektriske støt.
- d) **Ikke bruk ledningen til andre formål, f.eks. til å bære elektroverktøyet, henge den opp eller trekke den ut av stikkontakten. Hold ledningen unna varme, olje, skarpe kanter eller maskindeler som beveger seg.** Med skadede eller opphopede ledninger øker risikoen for elektriske støt.
- e) **Når du arbeider utendørs med et elektroverktøy, må du kun bruke en skjøteledning som er godkjent til utendørs bruk.** Når du bruker en skjøteledning som er egnet for utendørs bruk, reduseres risikoen for elektriske støt.

N

Multisliper

7260

INTRODUKSJON

- Dette verktøyet er tenkt brukt til tørrsliping og finpusning av trevirke, malte overflater, plast og fyllmasse

- f) Hvis det ikke kan unngås å bruke elektroverktøyet i fuktige omgivelser, må du bruke en jordfeilbryter. Bruk av en jordfeilbryter reduserer risikoen for elektriske støt.
- 3) **PERSONSIKKERHET**
- a) Vær oppmerksom, pass på hva du gjør, gå fornuftig frem når du arbeider med et elektroverktøy. Ikke bruk elektroverktøyet når du er trett eller er påvirket av narkotika, alkohol eller medikamenter. Et øyeblikks uoppmerksomhet ved bruk av elektroverktøyet kan føre til alvorlige skader.
- b) **Bruk personlig verneutstyr og husk alltid å bruke vernebriller.** Bruk av personlig sikkerhetsutstyr som støvmaske, sklifaste arbeidssko, hjelm eller hørselvern – avhengig av type og bruk av elektroverktøyet – reduserer risikoen for skader.
- c) **Unngå å starte verktøyet ved en feiltagelse. Forviss deg om at elektroverktøyet er slått av før du kobler det til strømmen og/eller batteriet, løfter det opp eller bærer det.** Hvis du holder fingeren på bryteren når du bærer elektroverktøyet eller kobler elektroverktøyet til strømmen i innkoblet tilstand, kan dette føre til uhell.
- d) **Fjern innstillingsverktøy eller skrunøkler før du slår på elektroverktøyet.** Et verktøy eller en nøkkel som befinner seg i en roterende maskindel, kan føre til skader.
- e) **Ikke overvurder deg selv. Sørg for å stå stødig og i balanse.** Dermed kan du kontrollere elektroverktøyet bedre i uventede situasjoner.
- f) **Bruk alltid egnede klær. Ikke bruk vide klær eller smykker. Hold hår og klær unna deler som beveger seg.** Løstsittende tøy, smykker eller langt hår kan komme inn i deler som beveger seg.
- g) **Hvis det kan monteres støvavsug- og oppsamlingsinnretninger, må du forviss deg om at disse er tilkoblet og brukes på korrekt måte.** Bruk av et støvavsug reduserer faren på grunn av støv.
- h) **Selv når du er blitt vant til verktøyet, må du ikke bli sløv og ignorere sikkerhetsreglene for verktøyet.** En uforsiktig handling kan forårsake alvorlig personskade i løpet av et brøkdels sekund.
- 4) **AKTSOM HÅNTERING OG BRUK AV ELEKTROVERKTØY**
- a) **Ikke overbelast elektroverktøyet. Bruk et elektroverktøy som er beregnet til den type arbeid du vil utføre.** Med et passende elektroverktøy arbeider du bedre og sikrere i det angitte effektområdet.
- b) **Ikke bruk elektroverktøy med defekt på-/avbryter.** Et elektroverktøy som ikke lenger kan slås av eller på, er farlig og må repareres.
- c) **Trekk støpselet ut av stikkkontakten og/eller fjern batteriet (hvis demonterbart) før du utfører innstillinger på elektroverktøyet, skifter tilbehørsdeler eller legger elektroverktøyet bort.** Disse tiltakene forhindrer en utilsiktet startung av elektroverktøyet.
- d) **Elektroverktøy som ikke er i bruk må oppbevares utilgjengelig for barn. Ikke la elektroverktøyet brukes av personer som ikke er fortrolig med dette eller ikke har lest disse anvisningene.** Elektroverktøyet er farlige når de brukes av uerfarne personer.
- e) **Vær nøye med vedlikeholdet av elektroverktøyet og tilbehøret. Kontroller om bevegelige maskindeler fungerer feilfritt og ikke klemmes fast, og om**

- deler er brukket eller skadet, slik at dette innvirker på elektroverktøyet funksjon. La skadede deler repareres før elektroverktøyet brukes. Dårlig vedlikeholdte elektroverktøy er årsaken til mange uhell.
- f) **Hold skjæreverktøyene skarpe og rene.** Godt stelte skjæreverktøy med skarpe skjær setter seg ikke så ofte fast og er lettere å føre.
- g) **Bruk elektroverktøy, tilbehør, verktøy osv. i henhold til disse anvisningene. Ta hensyn til arbeidsforholdene og arbeidet som skal utføres.** Bruk av elektroverktøy til andre formål enn det som er angitt kan føre til farlige situasjoner.
- h) **Hold håndtak og gripeflater tørre, rene og uten olje eller fett.** Glatte håndtak og gripeflater hindrer sikker håndtering og styring av verktøyet i uventede situasjoner.
- 5) **SERVICE**
- a) **Maskinen din skal alltid kun repareres av kvalifisert fagpersonale og kun med originale reservedeler.** Slik opprettholdes elektroverktøyet sikkerhet.

SIKKERHETSANVISNINGER FOR SLIPERE

GENERELL

- Verktøyet må ikke brukes av personer under 16 år
- Dette verktøyet passer ikke for vannsliping
- Verktøyet skal aldri brukes hvis ledningen er skadet. Det må byttes ut med en spesialledning tilgjengelig via serviceavdelingen.
- **Ikke bearbeid asbestholdig material** (asbest kan fremkalle kreft)
- **Ta alltid ut kontakten før du forandrer innstillinger på saken eller skifter tilbehør**

TILBEHØR

- SKIL kan kun garantere et feilfritt verktøy dersom originaltilbehør brukes
- Slitte, revnet eller tiltettet slipepapir må ikke brukes videre

FØR BRUK

- Sjekk alltid at tilført spenningen er den samme som oppgitt på verktøyet merkeplate
- Unngå skade pga. skruer, spiker eller andre elementer i arbeidsstykket; fjernes før man starter jobben
- Bruk helt utrullet og sikker skjøteledning med en kapasitet på 16 A
- Støynivået under arbeid kan overskride 85 dB(A); bruk hørselvern
- Støv fra materialer som blyholdig maling, visse tresorter, mineraler og metall kan være skadelig (kontakt med eller inhalering av støv kan gi allergiske reaksjoner og/eller sykdommer i åndedrettsorganene for brukeren eller personer i nærheten); **bruk støvmaske og arbeid med støvfjerningsutstyr når det er mulig**
- Visse typer støv er klassifisert som kreftfremkallende (som f.eks. støv fra eik og bok), spesielt sammen med tilsetningsstoffer for trebehandling; **bruk støvmaske og arbeid med støvfjerningsutstyr når det er mulig**
- Følg de nasjonale krav, når det gjelder støv for de materialer du ønsker å arbeide med
- Bruk beskyttelseshansker, vernebriller, tettsittende klær og hårmatt (ved langt hår)
- Ved sliping av metall vil det gnistre; bruk ikke støvboks og hold andre personer og brennbar materiale unna arbeidsområdet
- **Sett fast arbeidsstykket** (et arbeidsstykke som er sikret med klemmer, sitter sikrere enn om det holdes fast for hånd)

UNDER BRUK

- Hold alltid kabelen borte fra bevegelige deler på verktøyet; før kabelen bakover bort fra verktøyet
- Ikke berør slipepapiret når det er igang
- I tilfelle en elektrisk eller mekanisk svikt, skal verktøyet med en gang slås av og støpslet trekkes ut
- Hvis kabelen skades eller kappes under arbeid må kabelen ikke berøres, men støpselet straks trekkes ut

ETTER BRUK

- Når du setter bort verktøyet må bryteren slås av, bevegelige deler må være helt stoppet

FORKLARING AV SYMBOLER PÅ VERKTØY

- ③ Les instruksjonsboken for bruk
- ④ Dobbeltisolert (ikke nødvendig med jordingsleder)
- ⑤ Kast aldri verktøy i husholdningsavfallet

BRUK

- Montering av slipepapir ⑥
 - ! **trekk ut støpselet av stikkontakten**
 - ! **støvavsuguet krever perforert slipepapir**
 - ! **perforeringen i slipepapiret må passe til slipesålen**
 - ! **bytt brukte slipepapir i tide**
 - ! **bruk alltid verktøyet med hele slipeflaten dekket med slipepapir**
 - monter VELCRO (borrelås) slipepapir som vist
- Støvpopsuging
 - ! **bruk ikke støvboksen/støvsugeren ved sliping av metall**
 - Støvboks ⑦
 - tøm støvboksen A regelmessig for optimalt støvavsug
 - ta av støvboksen A ved å dra støvboksen A bakover
 - For bruk av støvsuger
 - monter støvsugeradapter D som vist ⑧a
 - koble støvsugerslangen til adapteren for støvsugeren D ⑧b
- Av/på bryter
 - slå på-/av verktøyet ved å trykke bryteren inn/ut
 - ! **før slipeflate kommer i kontakt med arbeidsstykket, bør du slå på verktøyet**
 - ! **før verktøyet slås av, løft det bort fra arbeidsstykket**
- Grep og styring av verktøyet ⑨
 - ! **under arbeid, hold verktøyet alltid i grått (gråe) grepsområde(r)**
 - før verktøyet parallelt med arbeidsoverflaten
 - ! **ikke øv for mye press på verktøyet; la slipeflaten gjøre jobben for deg**
 - unngå å føre verktøyet på skrå, da dette vil føre til riper
 - hold ventilasjonsåpningen C ② utildekket

BRUKER TIPS

- bruk verktøyet til å slippe store overflater, hjørner og kanter ⑩
- Før verktøyet rett frem og tilbake med veden
 - ved sliping av bare treflater
 - ved ekstra fin finishing
- Bearbeid aldri tre og metall med samme slipepapir
- Anbefalt slipepapir korning:
 - for fjerning av maling og sliping av ekstremt ujevnt treverk, bruk sandpapir med grov korning (40, 60)

- for sliping av ujevnt eller uhøvlet treverk, bruk sandpapir med middels korning (80, 100, 120)
- for finsliping av tre og overflater med gammel maling og finsliping av ubehandlet tre, bruk sandpapir med fin korning (180, 240, 320)
- Bruk forskjellig korning når arbeidsflaten er ujevn:
 - start sliping med grov eller medium korning
 - avslutt med fin korning
- Se www.skil.com for mer informasjon

VEDLIKEHOLD / SERVICE

- Dette verktøyet er ikke beregnet på profesjonell bruk
- Hold alltid verktøyet og kabelen ren (spesielt ventilasjonshullene C ②)
 - fjern slipestøv med en pensel
- ! **dra ut støpselet før rengjøring**
- Hvis elektroverktøyet til tross for omhyggelige produksjons- og kontrollmetoder en gang skulle svikte, må reparasjonen utføres av et autorisert serviceverksted for SKIL-elektroverktøy
 - send verktøyet i **montert** tilstand sammen med kjøpebevis til forhandleren eller nærmeste SKIL servicesenter (adresser liksom service diagram av verktøyet finner du på www.skil.com)
- Vær klar over at skade som skyldes overbelastning eller feilbehandling av verktøyet ikke dekkes av garantien (for SKIL garantibetingelser se www.skil.com eller spør din forhandler)

MILJØ

- **Kast aldri elektroverktøy, tilbehør og emballasje i husholdningsavfallet** (kun for EU-land)
 - i henhold til EU-direktiv 2012/19/EF om kasserte elektriske og elektroniske produkter og direktivets iverksetting i nasjonal rett, må elektroverktøy som ikke lenger skal brukes, samles separat og returneres til et miljøvennlig gjenvinningsanlegg
 - symbolet ⑤ er påtrykt som en påminnelse når utskifting er nødvendig

STØY / VIBRASJON

- Målt i samsvar med EN 62841, lydtrykksnivået til dette verktøyet er 73,0 dB(A) og lydeffektnivået er 84,0 dB(A) (usikkerhet K = 3 dB) og vibrasjonen 4,1 m/s² (triaks vektorsum usikkerhet K = 1,5 m/s²)
- Vibrasjonsnivået er målt i samsvar med en standardisert test som er angitt i EN 62841; den kan brukes til å sammenligne et verktøy med et annet, og som et foreløpig overslag over eksponering for vibrasjoner ved bruk av verktøyet til de oppgavene som er nevnt
 - bruk av verktøyet til andre oppgaver, eller med annet eller mangelfullt vedlikeholdt utstyr, kan gi en vesentlig **økning** av eksponeringsnivået
 - tidsrommene når verktøyet er avslått eller når det går mens ikke arbeider, kan gi en vesentlig **reduksjon** av eksponeringsnivået
- ! **beskytt deg selv mot virkningene av vibrasjoner ved å vedlikeholde verktøyet og utstyret, holde hendene varme og organisere arbeidsmåten din**

Yhdistelmähiomakone 7260

ESITTELY

- Tätä työkalua on tarkoitettu puun, maalattujen pintojen, muovin ja täyteaineen kuivaa hiomapaperihierontaa ja viimeistelyä varten
- Tätä työkalua ei ole tarkoitettu ammattikäyttöön
- Lue ja säilytä tämä ohjekirja ③

TEKNISET TIEDOT ①

LAITTEEN OSAT ②

- A Pölylaatikko
- B Virtakytkin
- C Ilmanvaihto-aukot
- D Pölynimurin sovitin*
- * EI SISÄLLY VAKIONA

TURVALLISUUS

YLEISET SÄHKÖTYÖKALUJEN TURVALLISUUTEEN LIITTYVÄT VAROITUKSET

VAROITUS: Perehdy kaikkiin tämän sähkötyökalun mukana toimitettuihin varoituksiin, ohjeisiin, kuviin ja tekniisiin tietoihin. Jos kaikkia alla olevia ohjeita ei noudateta, seurauksena voi olla sähköisku, tulipalo ja/tai vakava loukkaantuminen.

Säilytä kaikki turvallisuus- ja muut ohjeet tulevaisuutta varten.

Turvallisuusohjeissa käytetty käsite "sähkötyökalu" käsittää verkkokäyttöisiä sähkötyökaluja (verkkojohdolla) ja akkukäyttöisiä sähkötyökaluja (ilman verkkojohtoa).

1) TYÖPAIKAN TURVALLISUUS

- a) Pidä työskentelyalue puhtaana ja hyvin valaistuna.** Työpaikan epäjärjestys tai valaisemattomat työalueet voivat johtaa tapaturmiin.
- b) Älä työskentele sähkötyökalulla räjähdysalttiissa ympäristössä, jossa on palavaa nestettä, kaasua tai pölyä.** Sähkötyökalu muodostaa kipinöitä, jotka saattavat syyttää pölyn tai höyryt.
- c) Pidä lapset ja sivulliset loitolla sähkötyökalua käyttäessäsi.** Voit menettää laitteesi hallinnan, huomiosi suuntautuessa muualle.

2) SÄHKÖTURVALLISUUS

- a) Sähkötyökalun pistotulpan tulee sopia pistorasiaan.** Pistotulppaa ei saa muuttaa millään tavalla. Älä käytä mitään pistorasia-adaptoreita maadoitettujen sähkötyökalujen kanssa. Alkuperäisessä kunnossa olevat pistotulpat ja sopivat pistorasiat vähentävät sähköiskun vaaraa.
- b) Vältä koskettamasta maadoitettuja pintoja, kuten putkia, pattereita, liesiä tai jääkaappeja.** Sähköiskun vaara kasvaa, jos kehosi on maadoitettu.
- c) Älä aseta sähkötyökalua alttiiksi satelle tai kosteudelle.** Veden tunkeutuminen sähkötyökalun sisään kasvattaa sähköiskun riskiä.

- d) Älä käytä verkkojohtoa väärin. Älä käytä sitä sähkötyökalun kantamiseen, vetämiseen tai pistotulpan irrottamiseen pistorasiasta.** Pidä johto loitolla kuumuudesta, öljystä, terävistä reunoista ja liikkuvista osista. Vahingoittuneet tai sotkeutuneet johdot kasvattavat sähköiskun vaaraa.
- e) Käyttäessäsi sähkötyökalua ulkona, käytä ainoastaan ulkokäyttöön soveltuvaa jatkojohtoa.** Ulkokäyttöön soveltuvan jatkojohdon käyttö pienentää sähköiskun vaaraa.
- f) Jos sähkötyökalun käyttö kosteassa ympäristössä ei ole vältettävissä, tulee käyttää maavuotokatkaisijaa.** Maavuotokatkaisijan käyttö vähentää sähköiskun vaaraa.

3) HENKILÖTURVALLISUUS

- a) Ole valpas, kiinnitä huomiota työskentelyysi ja noudata tervettä järkeä sähkötyökalua käyttäessäsi. Älä käytä sähkötyökalua, jos olet väsynyt tai huumeiden, alkoholin tahi lääkkeiden vaikutuksen alaisena.** Hetken tarkkaamattomuus sähkötyökalua käyttäessä, saattaa johtaa vakavaan loukkaantumiseen.
 - b) Käytä suojavarusteita. Käytä aina suojalaseja.** Henkilökohtaisen suojavarustuksen käyttö, kuten pölynnaamarin, luistamattomien turvakengien, suojakypärän tai kuulonsuojaimien, riippuen sähkötyökalun lajista ja käytötavasta, vähentää loukkaantumisriskiä.
 - c) Vältä tahatonta käynnistämistä. Varmista, että sähkötyökalu on poiskytkettyä, ennen kuin liität sen sähköverkkoon ja/tai liität akun, otat sen käteen tai kannat sitä.** Jos kannat sähkötyökalua sormi käynnistyskytkimellä tai kytket sähkötyökalun pistotulpan pistorasiaan, käynnistyskytkimen ollessa käyntiasennossa, altistat itsesi onnettomuuksille.
 - d) Poista kaikki säätötyökalut ja ruuvitaltat, ennen kuin käynnistät sähkötyökalun.** Työkalu tai avain, joka sijaitsee laitteen pyörivässä osassa, saattaa johtaa loukkaantumiseen.
 - e) Älä yliarvioi itseäsi. Huolehdi aina tukevasta seisoma-asennosta ja tasapainosta.** Täten voit paremmin hallita sähkötyökalua odottamattomissa tilanteissa.
 - f) Käytä tarkoitukseen soveltuvia vaatteita. Älä käytä löysiä työvaatteita tai koruja. Pidä hiukset ja vaatteet poissa liikkuvien osien ulottuvilta.** Välijät vaatteet, korut ja pitkät hiukset voivat takertua liikkuviin osiin.
 - g) Jos pölynimu- ja keräilylaitteita voidaan asentaa, tulee sinun tarkistaa, että ne on liitetty ja että ne käytetään oikealla tavalla.** Pölynimulaitteiston käyttö vähentää pölyn aiheuttamia vaaroja.
 - h) Työskentele keskittyneesti ja noudata aina turvallisuusmääräyksiä.** Hetkellinenkin huolimattomuus voi aiheuttaa vakavia vammoja.
- #### 4) SÄHKÖTYÖKALUJEN KÄYTTÖ JA HOITO
- a) Älä ylikuormita laitetta. Käytä kyseiseen työhön tarkoitettua sähkötyökalua.** Sopivaa sähkötyökalua käyttäen työskentelet paremmin ja varmemmin tehoalueella, jolle sähkötyökalu on tarkoitettu.
 - b) Älä käytä sähkötyökalua, jota ei voida käynnistää ja pysäyttää käynnistyskytkimestä.** Sähkötyökalu, jota ei enää voida käynnistää ja pysäyttää käynnistyskytkimellä, on vaarallinen ja se täytyy korjata.

- c) **Irrota pistotulppa pistorasiasta ja/tai irrota akku (jos irrotettava) sähkötyökalusta, ennen kuin suoritat säätöjä, vaihdat tarvikkeita tai viet sähkötyökalun varastoon.** Nämä turvatoimenpiteet pienentävät sähkötyökalun tahattoman käynnistysriskin.
 - d) **Säilytä sähkötyökalut poissa lasten ulottuvilta, kun niitä ei käytetä. Älä anna sellaisten henkilöiden käyttää sähkötyökalua, jotka eivät tunne sitä tai jotka eivät ole lukeneet tätä käyttöohjetta.** Sähkötyökalut ovat vaarallisia, jos niitä käyttävät kokemattomat henkilöt.
 - e) **Pidä sähkötyökalut ja tarvikkeet hyvässä kunnossa. Tarkista, että liikkuvat osat toimivat moitteettomasti, eivätkä ole puristuksessa sekä, että siinä ei ole murtuneita tai vahingoittuneita osia, jotka saattaisivat vaikuttaa haitallisesti sähkötyökalun toimintaan. Anna korjauttaa mahdolliset viat ennen käyttöönottoa.** Monen tapaturman syyt löytyvät huonosti huolletuista laitteista.
 - f) **Pidä leikkausterät terävinä ja puhtaina.** Huolellisesti hoidetut leikkaustyökalut, joiden leikkausreunat ovat teräviä, eivät tartu helposti kiinni ja niitä on helpompi hallita.
 - g) **Käytä sähkötyökaluja, tarvikkeita, vaihtotyökaluja jne. näiden ohjeiden mukaisesti. Ota tällöin huomioon työolosuhteet ja suoritettava toimenpide.** Sähkötyökalun käyttö muuhun kuin sille määrättyyn käyttöön, saattaa johtaa vaarallisiin tilanteisiin.
 - h) **Pidä kahvat ja kädensijat kuivina ja puhtaina (öljytöminä ja rasvattomina).** Jos kahvat ja kädensijat ovat liukkaita, et pysty ylläpitävissä tilanteissa ohjaamaan ja hallitsemaan työkalua turvallisesti.
- 5) HUOLTO**
- a) **Anna koulutettujen ammattihenkilöiden korjata sähkötyökalusi ja hyväksy korjauksiin vain alkuperäisiä varaosia.** Täten varmistat, että sähkötyökalu säilyy turvallisena.

HIOMAKONEEN TURVALLISUUSOHJEET

YLEISTÄ

- Tätä työkalua saavat käyttää vain 16 vuotta täyttäneet henkilöt
- Tämä kone ei ole tarkoitettu vesihiontaan
- Älä käytä työkalua, jonka johto on vioittunut; johto on vaihdettava erikoisvalmisteiseen johtoon, jonka voi hankkia mistä tahansa huolto-organisaatioon kuuluvasta liikkeestä.
- **Älä koskaan työstä asbestipitoista ainetta** (asbestia pidetään karsinogeenisena)
- **Irrota aina pistotulppa pistorasiasta, ennen kuin suoritat laitteelle mitään säätöjä tai vaihdat tarviketta**

VARUSTEET

- SKIL pystyy takaamaan työkalun moitteettoman toiminnan vain, kun käytetään alkuperäisiä tarvikkeita
- Älä jatka kuluneiden, repeytyneiden tai voimakkaasti tukkeutuneiden paperin käyttämistä

ENNEN KÄYTTÖÄ

- Tarkista aina, että syöttöjännite on sama kuin työkalun nimilaatan osoittama jännite
- Vältä vaaralliset vahingot, jotka voivat aiheutua nauloista, ruuveista tai muista aineista työstettävässä materiaalissa; poista ne ennen työskentelyn aloittamista

- Käytä täysin rullaamattomia ja turvallisia jatkejohtoja, joiden kapasiteetti on 16 ampeeria
- Työskenneltäessä melutaso saattaa ylittää 85 dB(A); jolloin suositellaan kuulosuojaimien käyttöä
- Materiaaleista, kuten lyijypitoinen maali, jotkut puulajit, mineraalit ja metalli, tuleva pöly voi olla vahingollista (kosketuksiin joutuminen pölyn kanssa tai sen sisään hengittäminen voi aiheuttaa käyttäjälle tai sivustakatsijoille allergiareaktioita ja/tai hengitysvaijoja); **käytä pölynaamaria ja työskentele pölynpoistolaitteen kanssa, kun sellainen on liitettävissä**
- Tietäntyyppisen pölyt on luokiteltu karsinogeeniseksi (kuten tammi- ja pyökkipöly) erityisesti puun käsittelyyn käytettävien lisäaineiden yhteydessä; **käytä pölynaamaria ja työskentele pölynpoistolaitteen kanssa, kun sellainen on liitettävissä**
- Noudata maakohtaisia pölyn liittyviä sääntöjä
- Käytä suojakäsineitä, suojalasit, vartalonmukaista vaateetusta ja suojaa pitkät hiukset
- Metallia hiottaessa syntyy kipinöitä; älä käytä pölylaatikkoa ja huolehdi siitä, ettei lähellä ole muita henkilöitä eikä tulenarkoja materiaaleja
- **Kiinnitä työstettävä kappale** (kiinnittimeen tai puristimeen kiinnitetty työstettävä kappale pysyy tukevammin paikoillaan kuin käsin pidettäessä)

KÄYTÖN AIKANA

- Pidä johto aina poissa työkalun liikkuvien osien läheisyydestä; kohdista johto takaosaa kohti pois työkalusta
- Älä kosketa liikkuvaa hiomapaperiin
- Jos huomaat sähköisen tai mekaanisen vian, sammuta kone heti ja irrota liitosjohto pistorasiasta
- Jos sähköjohto vahingoittuu tai katkeaa työn aikana ei johtoa saa koskettaa, vaan pistotulppa on välittömästi irrotettava pistorasiasta

KÄYTÖN JÄLKEEN

- Kun panet koneen pois, sammuta moottori ja varmista, että kaikki liikkuvat osat ovat pysähtyneet

TYÖKALUN SYMBOLIEN SELITYKSET

- ③ Lue käyttöohjeet ennen käyttöä
- ④ Kaksoiseristys (ei tarvita maajohtoa)
- ⑤ Älä hävitä konettasi tavallisen kotitalousjätteen mukana

KÄYTTÖ

- Hiomapaperin kiinnittäminen ⑥
- ! **vedä pistoke pistorasiasta**
- ! **pölynimu vaatii rei'itetyn hiomapaperin käyttöä**
- ! **hiomapaperin rei'ityksen tulee vastata hiomatason rei'itystä**
- ! **vaihda hiomapaperi uuteen ajoissa**
- ! **aina käytä konetta koko hiomapinnan ollessa peitettynä hiomapaperilla**
- kiinnitä VELCRO-hiomapaperi kuvatulla tavalla
- Pölynimu
- ! **älä käytä pölylaatikkoa/pölynimuria metallihionnassa**
- Pölylaatikko ⑦
- tyhjennä pölylaatikko A säännöllisesti optimaalisen pölynimurin saavuttamiseksi
- irrota pölylaatikko A vetämällä sitä A taaksepäin
- Voidaksesi käyttää pölynimuria
- asenna pölynimurin adapteri D kuvan mukaisesti ⑧a
- liitä pölynimurin letku pölynimurin sovittimeen D ⑧b

- Virtakytkin
 - käynnistä/sammuta koneesi painamalla kytkin sisään/ulos
- ! **koneen tulee olla käynnissä ennen kuin se koskettaa työkalupaletta**
- ! **ennen koneen sammuttamista se tulee nostaa irti työkalupaleesta**
- Koneen pitäminen ja ohjaaminen ⑨
 - ! **pidä työkalusta kiinni aina työskentelyn aikana harmaan värisestä kädensija(oi)sta**
 - ohjaa koneen työstettävän pinnan suuntaisesti
 - ! **älä kohdistaa liian paljon painetta työkaluun, anna sen tehdä työtä puolestasi**
 - älä kallista konetta, kallistaminen voi aiheuttaa syviä ei-toivottuja hiontajälkiä
 - pidä ilmanvaihto-aukkoja C ② peittämättöminä

VINKKEJÄ

- Käytä työkalua suurten hiottavien pintojen, kulmien ja reunojen kanssa työskennellessä ⑩
- Liikuta konetta puun syiden suuntaisesti
 - hiottaessa paljaita puupintoja
 - viimeisteltäessä erittäin
- Älä koskaan hio puuta ja metallia samalla hiomapaperilla
- Hiomapaperit karkeus suositus:
 - käytä maalin poistamiseen ja erittäin karkean puun hiontaan karkeita papereita (40, 60)
 - käytä karkean tai höylätyn puun hiontaan keskikarkeita papereita (80, 100, 120)
 - käytä puun ja öljymaalilla käsiteltyjen pintojen tasoittamiseen sekä paljaan puun viimeistelyyn hienoja papereita (180, 240, 320)
- Käytä eri hiomapaperikarkeuksia kun hiot karkeaa pintaa:
 - aloita karkealla tai keskikarkealla
 - viimeistelee työ hienolla
- Lisätietoja on tarjolla web-osoitteessa www.skil.com

HOITO / HUOLTO

- Tätä työkalua ei ole tarkoitettu ammattikäyttöön
- Pidä työkalu ja johto puhtaina (varmistaa erityisesti ilma-aukkojen puhtaus C ②)
 - poista kiinnitartunut pöly sivelimellä
- ! **irrota liitosjohto aina puhdistuksen ajaksi pistorasiasta**
- Jos sähkötyökalussa, huolellisesta valmistuksesta ja koestusmenettelystä huolimatta esiintyy vikaa, tulee korjaus antaa SKIL sopimushuollon tehtäväksi
 - toimita työkalu sitä osiin **purkamatta** lähimpään SKIL-huoltoon (osoitteet ja työkalun huoltokaava ovat tarjolla web-osoitteessa www.skil.com) ostotodiste mukaan liitettyinä
- Ota huomioon, että takuu ei kata työkalun ylikuormituksesta tai väärästä käsittelystä johtuvia vahinkoja (katso SKILin takuehdot osoitteesta www.skil.com tai kysy jälleenmyyjältä)

YMPÄRISTÖNSUOJELU

- **Älä hävitä sähkötyökalua, tarvikkeita tai pakkausta tavallisen kotitalousjätteen mukana** (koskee vain EU-maita)
 - vanhoja sähkö- ja elektroniikkalaitteita koskevan EU-direktiivin 2012/19/ETY ja sen maakohtaisten

sovellusten mukaisesti käytetyt sähkötyökalut on toimitettava ongelmajätteen keräyspisteeseen ja ohjattava ympäristöystävälliseen kierrätykseen

- symboli ⑤ muistuttaa tästä, kun käytöstä poisto tulee ajankohtaiseksi

MELU / TÄRINÄ

- Tämän työkalun standardin EN 62841 mukaisesti mitattu äänenpainotaso on 73,0 dB(A) ja äänenvoimakkuus 84,0 dB(A) (epävarmuus K = 3 dB), ja värinä 4,1 m/s²* (triax-vektorisumma, epävarmuus K = 1.5 m/s²)
- Tärinäsaateilytaso on mitattu standardin EN 62841 mukaisen standarditestin mukaisesti; sitä voidaan käyttää verrattaessa yhtä laitetta toiseen sekä alustavana tärinälle altistumisen arviona käytettäessä laitetta manituissa käyttötarkoituksissa
 - laitteen käyttö eri käyttötarkoituksiin tai erilaisten tai huonosti ylläpidettyjen lisälaitteiden kanssa voi **lisätä** merkittävästi altistumistasoa
 - laitteen ollessa sammuksissa tai kun se on käynnissä, mutta sillä ei tehdä työtä, altistumistaso voi olla huomattavasti **pienempi**
- ! **suojaudu tärinän vaikutuksilta ylläpitämällä laite ja sen lisävarusteet, pitämällä kädet lämpiminä ja järjestämällä työmenetelmät**

E

Multilijadora

7260

INTRODUCCIÓN

- Esta herramienta está diseñada para el lijado en seco y el acabado de maderas, superficies pintadas, plásticos y rellenos
- Esta herramienta no está concebida para uso profesional
- Lea y conserve este manual de instrucciones ③

DATOS TÉCNICOS ①

ELEMENTOS DE LA HERRAMIENTA ②

- A Caja de polvo
- B Interruptor de activación/desactivación
- C Ranuras de ventilación
- D Adaptador para aspirador*

* NO INCLUIDO/A DE SERIE

SEGURIDAD

ADVERTENCIAS DE PELIGRO GENERALES PARA HERRAMIENTAS ELÉCTRICAS

⚠ ADVERTENCIA Lea todas las advertencias de seguridad, instrucciones, ilustraciones y especificaciones entregadas con esta herramienta eléctrica. El incumplimiento de alguna de las instrucciones que figuran a continuación puede ser causa de descargas eléctricas, incendios o lesiones graves.

Guardar todas las advertencias de peligro e instrucciones para futuras consultas.

El término "herramienta eléctrica" empleado en las siguientes advertencias de peligro se refiere a herramientas eléctricas de conexión a la red (con cable de red) y a herramientas eléctricas accionadas por acumulador (o sea, sin cable de red).

1) SEGURIDAD DEL PUESTO DE TRABAJO

- a) **Mantenga limpia y bien iluminada su área de trabajo.** El desorden o una iluminación deficiente en las áreas de trabajo pueden provocar accidentes.
- b) **No utilice la herramienta eléctrica en un entorno con peligro de explosión, en el que se encuentren combustibles líquidos, gases o material en polvo.** Las herramientas eléctricas producen chispas que pueden llegar a inflamar los materiales en polvo o vapores.
- c) **Mantenga alejados a los niños y otras personas de su área de trabajo al emplear la herramienta eléctrica.** Una distracción le puede hacer perder el control sobre la herramienta.

2) SEGURIDAD ELÉCTRICA

- a) **El enchufe de la herramienta eléctrica debe corresponder a la toma de corriente utilizada. No es admisible modificar el enchufe en forma alguna. No emplear adaptadores en herramientas eléctricas dotadas con una toma de tierra.** Los enchufes sin modificar adecuados a las respectivas tomas de corriente reducen el riesgo de una descarga eléctrica.
- b) **Evite que su cuerpo toque partes conectadas a tierra como tuberías, radiadores, cocinas y refrigeradores.** El riesgo a quedar expuesto a una descarga eléctrica es mayor si su cuerpo tiene contacto con tomas de tierra.
- c) **No exponga las herramientas eléctricas a la lluvia o a condiciones de humedad.** Existe el peligro de recibir una descarga eléctrica si penetran líquidos en la herramienta eléctrica.
- d) **No utilice el cable de red para transportar o colgar la herramienta eléctrica, ni tire de él para sacar el enchufe de la toma de corriente. Mantenga el cable de red alejado del calor, aceite, esquinas cortantes o piezas móviles.** Los cables de red dañados o enredados pueden provocar una descarga eléctrica.
- e) **Al trabajar con la herramienta eléctrica en la intemperie utilice solamente cables de prolongación homologados para su uso en exteriores.** La utilización de un cable de prolongación adecuado para su uso en exteriores reduce el riesgo de una descarga eléctrica.
- f) **Si el funcionamiento de una herramienta eléctrica en un lugar húmedo fuese invernante, utilice un cortacircuito de fuga a tierra.** El uso de un cortacircuito de fuga a tierra reduce el riesgo de descarga eléctrica.

3) SEGURIDAD DE PERSONAS

- a) **Esté atento y emplee la herramienta eléctrica con prudencia. No utilice la herramienta eléctrica si estuviese cansado, ni bajo los efectos de alcohol, drogas o medicamentos.** El no estar atento durante el uso de una herramienta eléctrica puede provocarle serias lesiones.
- b) **Utilice un equipo de protección personal y en todo caso unas gafas de protección.** El riesgo a lesionarse

se reduce considerablemente si, dependiendo del tipo y la aplicación de la herramienta eléctrica empleada, se utiliza un equipo de protección adecuado como una mascarilla antipolvo, zapatos de seguridad con suela antideslizante, casco, o protectores auditivos.

- c) **Evite una puesta en marcha fortuita. Asegurarse de que la herramienta eléctrica esté desconectada antes de conectarla a la toma de corriente y/o al montar el acumulador, al recogerla, y al transportarla.** Si transporta la herramienta eléctrica sujetándola por el interruptor de conexión/desconexión, o si introduce el enchufe en la toma de corriente con la herramienta eléctrica conectada, ello puede dar lugar a un accidente.
 - d) **Retire las herramientas de ajuste o llaves fijas antes de conectar la herramienta eléctrica.** Una herramienta o llave colocada en una pieza rotativa puede producir lesiones graves al accionar la herramienta eléctrica.
 - e) **Sea precavido. Trabaje sobre una base firme y mantenga el equilibrio en todo momento.** Ello le permitirá controlar mejor la herramienta eléctrica en caso de presentarse una situación inesperada.
 - f) **Lleve puesta una vestimenta de trabajo adecuada. No utilice vestimenta amplia ni joyas. Mantenga su pelo y vestimenta alejados de las piezas móviles.** La vestimenta suelta, las joyas y el pelo largo se pueden enganchar con las piezas en movimiento.
 - g) **Siempre que sea posible utilizar equipos de aspiración o captación de polvo, asegúrese que éstos estén montados y que sean utilizados correctamente.** El empleo de estos equipos reduce los riesgos derivados del polvo.
 - h) **No permita que la familiaridad ganada por el uso frecuente de la herramienta eléctrica lo deje creerse seguro e ignorar las normas de seguridad.** Una acción negligente puede causar lesiones graves en una fracción de segundo.
- ### 4) CUIDADO Y UTILIZACIÓN DE HERRAMIENTAS ELÉCTRICAS
- a) **No sobrecargue la herramienta eléctrica. Use la herramienta eléctrica prevista para el trabajo a realizar.** Con la herramienta eléctrica adecuada podrá trabajar mejor y con mayor seguridad dentro del margen de potencia indicado.
 - b) **No utilice herramientas eléctricas con un interruptor defectuoso.** Las herramientas eléctricas que no se puedan conectar o desconectar son peligrosas y deben repararse.
 - c) **Saque el enchufe de la red y/o retire el acumulador desmontable de la herramienta eléctrica, antes de realizar un ajuste, cambiar de accesorio o al guardar la herramienta eléctrica.** Esta medida preventiva reduce el riesgo de conectar accidentalmente la herramienta eléctrica.
 - d) **Guarde las herramientas eléctricas fuera del alcance de los niños y de las personas que no estén familiarizadas con su uso.** Las herramientas eléctricas utilizadas por personas inexpertas son peligrosas.
 - e) **Cuide la herramienta eléctrica y los accesorios con esmero. Controle si funcionan correctamente, sin atascarse, las partes móviles de la herramienta eléctrica, y si existen partes rotas o deterioradas que pudieran afectar al funcionamiento de la**

herramienta eléctrica. Si la herramienta eléctrica estuviese defectuosa haga repararla antes de volver a utilizarla. Muchos de los accidentes se deben a herramientas eléctricas con un mantenimiento deficiente.

- f) **Mantenga los útiles limpios y afilados.** Los útiles mantenidos correctamente se dejan guiar y controlar mejor.
 - g) **Utilice herramientas eléctricas, accesorios, útiles, etc. de acuerdo con estas instrucciones, teniendo en cuenta las condiciones de trabajo y la tarea a realizar.** El uso de herramientas eléctricas para trabajos diferentes de aquellos para los que han sido concebidas puede resultar peligroso.
 - h) **Mantenga las empuñaduras y las superficies de las empuñaduras secas, limpias y libres de aceite y grasa.** Las empuñaduras y las superficies de las empuñaduras resbaladizas no permiten un manejo y control seguro de la herramienta eléctrica en situaciones imprevistas.
- 5) **SERVICIO**
- a) **Únicamente haga reparar su herramienta eléctrica por un profesional, empleando exclusivamente piezas de repuesto originales.** Solamente así se mantiene la seguridad de la herramienta eléctrica.

INSTRUCCIONES DE SEGURIDAD PARA LIJADORAS

GENERAL

- Esta herramienta no debe utilizarse por personas menores de 16 años
- Esta herramienta no es adecuada para lijar con agua
- Nunca utilice la herramienta si el cable está dañado; debe ser sustituido por un cable especialmente preparado disponible a través de la organización de asistencia.
- **No trabaje materiales que contengan amianto** (el amianto es cancerígeno)
- **Desenchufar siempre la herramienta antes de realizar cualquier ajuste o cambiar algún accesorio**

ACCESORIOS

- SKIL únicamente puede garantizar un funcionamiento correcto de la herramienta al emplear accesorios originales
- No utilizar hojas de lijado desgastadas, desgarradas o excesivamente embazadas

ANTES DEL USO

- Compruebe siempre que la tensión de alimentación es la misma que la indicada en la placa de características de la herramienta
- Evite los daños que puedan causar los tornillos, clavos y otros objetos sobre la pieza de trabajo; retírelos antes de empezar a trabajar
- Utilice cables de extensión seguros y completamente desenrollados con una capacidad de 16 amperios
- El nivel de ruido, con la herramienta trabajando, podrá sobrepasar 85 dB(A); usar protectores auditivos
- El polvo del material, como la pintura que contiene plomo, algunas especies de madera, minerales y metal podrían ser dañinos (el contacto o inhalación del polvo podría producir reacciones alérgicas y trastornos respiratorios al operador o a otras personas que se encuentren en la zona); **utilice una máscara contra el polvo y trabaje con un dispositivo de extracción de polvo cuando lo conecte**

- Ciertos tipos de polvo están catalogados como cancerígenos (por ejemplo el polvo de roble y de haya) especialmente junto con aditivos para el acondicionamiento de la madera; **utilice una máscara contra el polvo y trabaje con un dispositivo de extracción de polvo cuando lo conecte**
- Siga la normativa nacional en cuanto a extracción de polvo, en función de los materiales que vayan a ser utilizados
- Llevar guantes protectores, gafas de protección, vestimenta ceñida al cuerpo y protección adecuada para pelo largo
- Al lijar metal se generen chispas; no utilizar la caja de polvo y mantenga otras personas y materiales combustibles alejados de la zona de trabajo
- **Asegure la pieza de trabajo** (una pieza de trabajo fijada con unos dispositivos de sujeción o en un tornillo de banco, se mantiene sujeta de forma mucho más segura que con la mano)

DURANTE EL USO

- Mantenga siempre el cable lejos de las partes móviles de la herramienta; mantenga el cable detrás de usted, lejos de la herramienta
- Evitar el contacto con la hoja de lijado en marcha
- En el caso de que se produjera un mal funcionamiento eléctrico o mecánico, apague inmediatamente la herramienta y desconecte el enchufe
- Si llega a dañarse o cortarse el cable eléctrico durante el trabajo, no tocar el cable, sino extraer inmediatamente el enchufe de la red

DESPUÉS DEL USO

- Ponga atención al guardar su herramienta de que el motor esté apagado y las partes móviles se hayan detenido por completo

EXPLICACIÓN DE LOS SÍMBOLOS DE LA HERRAMIENTA

- ③ Lea el manual de instrucciones antes de utilizarla
- ④ Doble aislamiento (no requiere cable de tierra)
- ⑤ No deseche la herramienta junta con los residuos domésticos

USO

- Montaje de la hoja de lija ⑥
 - ! **desenchufar la herramienta**
 - ! **la succión de polvo requiere que se usen hojas de lija perforadas**
 - ! **las perforaciones de las hojas de lija deben corresponderse con las perforaciones de la lijadora**
 - ! **cambie a tiempo las hojas de lija pasadas**
 - ! **utilizar la herramienta siempre con toda la superficie de lijado cubierta con hoja de lija**
 - monte la hoja de lijado VELCRO de la forma ilustrada
- Aspiración de polvo
 - ! **no utilice la caja de polvo/el aspirador al lijar metal**
 - Caja de polvo ⑦
 - vacíe la caja de polvo A con regularidad para una aspiración óptima del polvo
 - quite la caja de polvo A tirando de la misma A hacia atrás
 - Para utilizar el aspirador
 - monte el adaptador para el aspirador D de la forma ilustrada ⑧a

- conecte la manguera del aspirador al adaptador del aspirador D ⑧b
- Interruptor de activación/desactivación
 - ponga en marcha/pare su herramienta pulsando el interruptor hacia dentro/hacia afuera
 - ! **antes de trabajar sobre una pieza, se debe poner en marcha su herramienta**
 - ! **antes de desactivar la herramienta, debe retirarla de la pieza de trabajo**
- Sujeción y manejo de la herramienta ⑨
 - ! **durante el trabajo, sujete siempre la herramienta por la(s) zona(s) de empuñadura de color gris**
 - guíe la herramienta paralela a la superficie de trabajo
 - ! **no ejerza demasiada presión en la herramienta; deje que la superficie para lijar haga su trabajo**
 - no incline su herramienta para evitar marcas de lijado no deseadas
 - mantenga las ranuras de ventilación C ② descubiertas

CONSEJOS DE APLICACIÓN

- Utilice la herramienta para lijar grandes superficies, esquinas y bordes ⑩
- Mueva la herramienta conforme a la dirección de la fibra de la madera
 - para los superficies de madera no pintadas
 - para el acabado extrafino
- No tratar jamás madera y metal con la misma hoja de lija
- Grano recomendado de las hojas de lija:
 - para quitar pintura y para lijar madera muy basta, use lijas de grano grueso (40, 60)
 - para lijar madera en crudo o lisa, use lijas de grano medio (80, 100, 120)
 - para pulir madera y superficies con pintura vieja, o también para el acabado de madera sin pintar, use lijas de grano fino (180, 240, 320)
- Utilice diferentes granos de lija si la superficie de trabajo es basta:
 - empiece con el grano basto o medio
 - acabe con grano fino
- Si desea más información, visite www.skil.com

MANTENIMIENTO / SERVICIO

- Esta herramienta no está concebida para uso profesional
- Mantenga limpio el cable eléctrico y la herramienta (sobre todo las ranuras de ventilación C ②)
 - eliminar el polvo adherido con un pincel
- ! **desenchufar la herramienta antes de limpiar**
- Si a pesar de los esmerados procesos de fabricación y control, la herramienta llegase a averiarse, la reparación deberá encargarse a un servicio técnico autorizado para herramientas eléctricas SKIL
 - envíe la herramienta **sin desmontar** junto con una prueba de su compra a su distribuidor o a la estación de servicio más cercana de SKIL (los nombres así como el despiece de piezas de la herramienta figuran en www.skil.com)
- Tenga presente que los daños debido a sobrecargas o al manejo inadecuado de la herramienta serán excluidos de la garantía (consulte las condiciones de garantía de SKIL en www.skil.com o consulte a su distribuidor)

AMBIENTE

- **No deseché las herramientas eléctricas, los accesorios y embalajes junto con los residuos domésticos** (sólo para países de la Unión Europea)
 - de conformidad con la Directiva Europea 2012/19/CE sobre residuos de aparatos eléctricos y electrónicos y su aplicación de acuerdo con la legislación nacional, las herramientas eléctricas cuya vida útil haya llegado a su fin se deberán recoger por separado y trasladar a una planta de reciclaje que cumpla con las exigencias ecológicas
 - símbolo ⑤ llamará su atención en caso de necesidad de tirarlas

RUIDOS / VIBRACIONES

- Realizando mediciones según EN 62841, el nivel de presión acústica de esta herramienta es 73,0 dB(A) y el nivel de potencia acústica es de 84,0 dB(A) (incertidumbre K = 3 dB), y la vibración 4,1 m/s² suma vectorial triaxial; incertidumbre K = 1,5 m/s²)
- El nivel de emisión de vibraciones ha sido medido según una prueba estándar proporcionada en EN 62841; puede utilizarse para comparar una herramienta con otra y como valoración preliminar de la exposición a las vibraciones al utilizar la herramienta con las aplicaciones mencionadas
 - al utilizarla para distintas aplicaciones o con accesorios diferentes o con un mantenimiento deficiente, podría **aumentar** de forma notable el nivel de exposición
 - en las ocasiones en que se apaga la herramienta o cuando está funcionando pero no está realizando ningún trabajo, se podría **reducir** el nivel de exposición de forma importante
- ! **protéjase contra los efectos de la vibración realizando el mantenimiento de la herramienta y sus accesorios, manteniendo sus manos calientes y organizando sus patrones de trabajo**

NOM



P

Lixadeira multifunções

7260

INTRODUÇÃO

- Esta ferramenta destina-se à lixagem a seco e ao acabamento de madeira, superfícies pintadas, plástico e betume
- Esta ferramenta não se destina a utilização profissional
- Leia e guarde este manual de instruções ③

DADOS TÉCNICOS ①

ELEMENTOS DA FERRAMENTA ②

- A Caixa do pó
 - B Interruptor para ligar/desligar
 - C Aberturas de ventilação
 - D Adaptador para aspirador*
- * NÃO INCLuíDO/A DE SÉRIE

SEGURANÇA

INDICAÇÕES GERAIS DE SEGURANÇA PARA FERRAMENTAS ELÉTRICAS

AVISO Leia todos os avisos de segurança, instruções, ilustrações e especificações fornecidas com esta ferramenta eléctrica. O incumprimento de todas as instruções enumeradas abaixo poderá resultar em choque eléctrico, incêndio e/ou lesão grave.

Guarde bem todas as advertências e instruções para futura referência.

O termo “ferramenta eléctrica” utilizado a seguir nas indicações de advertência, refere-se a ferramentas eléctricas operadas com corrente de rede (com cabo de rede) e a ferramentas eléctricas operadas com acumulador (sem cabo de rede).

1) SEGURANÇA DA ÁREA DE TRABALHO

- a) **Mantenha a sua área de trabalho limpa e arrumada.** Desordem ou áreas de trabalho com fraca iluminação podem causar acidentes.
- b) **Não trabalhar com a ferramenta eléctrica em áreas com risco de explosão, nas quais se encontrem líquidos, gases ou pós inflamáveis.** Ferramentas eléctricas produzem faíscas que podem provocar a ignição de pó e vapores.
- c) **Mantenha crianças e outras pessoas afastadas da ferramenta eléctrica durante o trabalho com a ferramenta.** Distracções podem causar a falta de controlo sobre o aparelho.

2) SEGURANÇA ELÉTRICA

- a) **As fichas das ferramentas eléctricas devem caber na tomada. A ficha não deve ser modificada de modo algum. Não utilize quaisquer fichas de adaptação junto com ferramentas eléctricas ligadas à terra.** Fichas sem modificações e tomadas adequadas reduzem o risco de choques eléctricos.
- b) **Evite que o corpo entre em contacto com superfícies ligadas à terra, como por exemplo tubos, radiadores, fogões e geladeiras.** Há um risco elevado de choques eléctricos, caso o corpo for ligado à terra.
- c) **A ferramenta eléctrica não deve ser exposta à chuva nem humidade.** A penetração de água na ferramenta eléctrica aumenta o risco de choques eléctricos.
- d) **O cabo do aparelho não deve ser utilizado para o transporte, para pendurar o aparelho, nem para puxar a ficha da tomada. Mantenha o cabo afastado de calor, óleo, cantos afiados ou partes em movimento do aparelho.** Cabos danificados ou torcidos aumentam o risco de choques eléctricos.
- e) **Ao trabalhar com a ferramenta eléctrica ao ar livre, use um cabo de extensão apropriado para áreas**

externas. O uso de um cabo apropriado para áreas externas reduz o risco de choques eléctricos.

- f) **Se não for possível evitar o funcionamento da ferramenta eléctrica em áreas húmidas, deverá ser utilizado um disjuntor de corrente de avaria.** A utilização de um disjuntor de corrente de avaria reduz o risco de um choque eléctrico.
- #### 3) SEGURANÇA DE PESSOAS
- a) **Esteja alerta, observe o que está a fazer, e tenha prudência ao trabalhar com a ferramenta eléctrica. Não use a ferramenta eléctrica se estiver fatigado ou sob a influência de drogas, álcool ou medicamentos.** Um momento de falta de atenção durante a operação da ferramenta eléctrica pode causar graves lesões.
 - b) **Utilizar equipamento de protecção pessoal e sempre óculos de protecção.** A utilização de equipamento de protecção pessoal, como máscara de protecção contra pó, sapatos de segurança antiderrapantes, capacete de segurança ou protecção auricular, de acordo com o tipo e aplicação da ferramenta eléctrica, reduz o risco de lesões.
 - c) **Evitar uma colocação em funcionamento involuntária. Assegure-se de que a ferramenta eléctrica esteja desligada, antes de conectá-la à alimentação de rede e/ou ao acumulador, antes de levantá-la ou de transportá-la.** Se tiver o dedo no interruptor ao transportar a ferramenta eléctrica ou se o aparelho for conectado à alimentação de rede enquanto estiver ligado, poderão ocorrer acidentes.
 - d) **Remover chaves de ajustes ou chaves de fenda, antes de ligar a ferramenta eléctrica.** Uma chave de fenda ou chave de ajuste que se encontre numa parte móvel do aparelho, pode levar a lesões.
 - e) **Não se sobrestime. Mantenha uma posição firme e mantenha sempre o equilíbrio.** Desta forma poderá ser mais fácil controlar o aparelho em situações inesperadas.
 - f) **Use roupa apropriada. Não use roupa larga ou jóias. Mantenha os cabelos e roupas afastados de partes em movimento.** Roupas largas, jóias ou cabelos longos podem ser agarradas por partes em movimento.
 - g) **Se for prevista a montagem de dispositivos de aspiração de pó e de dispositivos de recolha, assegure-se de que estão conectados e que sejam utilizados de forma correcta.** A utilização de uma aspiração de pó pode reduzir o perigo devido ao pó.
 - h) **Não deixe que a familiaridade resultante de uma utilização frequente de ferramentas permita que você se torne complacente e ignore os princípios de segurança da ferramenta.** Uma acção descuidada pode causar ferimentos graves numa fração de segundo.
- #### 4) USO E TRATAMENTO DE FERRAMENTAS ELÉTRICAS
- a) **Não sobrecarregue a ferramenta eléctrica. Use para o seu trabalho a ferramenta eléctrica correcta.** A ferramenta correcta realizará o trabalho de forma melhor e mais segura dentro da faixa de potência indicada.
 - b) **Não utilize a ferramenta eléctrica se o interruptor não puder ser ligado nem desligado.** Qualquer ferramenta eléctrica que não possa ser controlada através do interruptor de ligar-desligar, é perigosa e deve ser reparada.

- c) **Puxar a ficha da tomada e/ou remover o acumulador, se amovível, antes de executar ajustes na ferramenta, de substituir acessórios ou de guardar a ferramenta.** Esta medida de segurança evita que a ferramenta eléctrica seja ligada acidentalmente.
 - d) **Guarde ferramentas eléctricas que não estiverem sendo utilizadas, for a do alcance de crianças. Não permita que o aparelho seja utilizado por pessoas não familiarizadas com o mesmo ou que não tenham lido estas instruções.** Ferramentas eléctricas são perigosas nas mãos de pessoas sem treinamento.
 - e) **Trate a ferramenta eléctrica e os acessórios com cuidado. Verifique se as partes móveis do aparelho funcionam perfeitamente e não emperram, se há peças quebradas ou danificadas, que possam influenciar o funcionamento do aparelho. Peças danificadas devem ser reparadas antes da utilização do aparelho.** Muitos acidentes tem como causa uma manutenção insuficiente das ferramentas eléctricas.
 - f) **Mantenha as ferramentas de corte sempre afiadas e limpas.** Ferramentas de cortes devidamente tratadas, com cantos afiados travam com menos frequência e podem ser controladas com maior facilidade.
 - g) **Use a ferramenta eléctrica, os acessórios os bits da ferramenta etc., de acordo com estas instruções. Considere também as condições de trabalho e o trabalho a ser efectuado.** A utilização da ferramenta eléctrica para outros fins que os previstos, pode resultar em situações perigosas.
 - h) **Mantenha os punhos e as superfícies de agarrar secas, limpas e livres de óleo e massa consistente.** Punhos e superfícies de agarrar escorregadias não permitem o manuseio e controlo seguros da ferramenta em situações inesperadas.
- 5) SERVIÇO**
- a) **A sua ferramenta eléctrica só deve ser reparada por pessoal qualificado e só devem ser colocadas peças sobressalentes originais.** Desta forma é assegurada a segurança da ferramenta eléctrica.

INSTRUÇÕES DE SEGURANÇA PARA LIXADEIRAS

GENERAL

- Esta ferramenta não deve ser utilizada por pessoas menores de 16 anos
- Esta ferramenta não é aconselhada para trabalhos em superfícies molhadas
- Nunca use a ferramenta se o cabo estiver danificado; este tem de ser substituído por um cabo especialmente preparado disponível através da organização de assistência.
- **Não processar material que contenha asbesto** (asbesto é considerado como sendo cancerígeno)
- **Desligue sempre a ficha da tomada antes de proceder a qualquer ajustamento ou troca de acessório**

ACESSÓRIOS

- A SKIL só pode garantir um funcionamento perfeito da ferramenta, quando utilizada com os acessórios originais
- Folhas de lixadeira gastas, rasgadas ou muito sujos não devem continuar a ser utilizadas

ANTES DA UTILIZAÇÃO

- Certifique-se sempre de que a tensão de alimentação está de acordo com a tensão indicada na placa de identificação da ferramenta
- Evite danificar a ferramenta em superfícies com pregos ou parafusos; remova-os antes de começar a trabalhar
- Utilize extensões completamente desenroladas e seguras, com uma capacidade de 16 Amp
- O nível de ruído durante o trabalho pode exceder 85 dB(A); utilize protectores auriculares
- O pó do material, como tinta com chumbo, algumas espécies de madeira, minerais e metais, pode ser prejudicial (contacto ou inalação do pó pode provocar reacções alérgicas e/ou doenças respiratórias ao operador ou às pessoas presentes); **use máscara respiratória e trabalhe com um dispositivo de extracção de pó quando ligado a**
- Determinados tipos de pó são classificados como substâncias cancerígenas (como pó de carvalho e faia), em especial, juntamente com aditivos para acondicionamento da madeira; **use máscara respiratória e trabalhe com um dispositivo de extracção de pó quando ligado a**
- Siga o regulamento nacional quanto a extracção de pó, em função dos materiais que vão ser utilizados
- Usar luvas protectoras, óculos de protecção, roupas justas e uma protecção para cabelos (no caso de cabelos compridos)
- Ao lixar metais, devido às faíscas produzidas, não use a caixa de pó e mantenha afastadas outras pessoas e materiais combustíveis à área de trabalho
- **Fixe a peça de trabalho** (uma peça de trabalho fixa com dispositivos de fixação ou num torno fica melhor fixa do que manualmente)

DURANTE A UTILIZAÇÃO

- Mantenha sempre o fio afastado das peças rotativas da ferramenta; coloque o fio para trás, fora do alcance da ferramenta
- Não entrar em contacto com a folha de lixadeira em funcionamento
- Em caso de anomalias eléctricas ou mecânicas, desligue imediatamente a ferramenta e tire a ficha da tomada
- Caso o fio for danificado ou cortado durante o trabalho, não toque no fio, mas tire imediatamente a ficha da tomada

APÓS A UTILIZAÇÃO

- Quando guardar a ferramenta, deverá certificar-se que o motor esta devidamente parado assim como todas as peças rotativas

EXPLICAÇÃO DOS SÍMBOLOS DA FERRAMENTA

- ③ Leia o manual de instruções antes de utilizar o equipamento
- ④ Isolamento duplo (nenhum fio de terra necessário)
- ⑤ Não deite a ferramenta no lixo doméstico

MANUSEAMENTO

- Montagem das folhas de lixa ⑥
- ! **desligar da fonte de corrente**
- ! **a aspiração de pó requer folhas de lixa perfuradas**
- ! **a perfuração da folha de lixa deverá corresponder à perfuração da ferramenta**
- ! **troque as folhas de lixas gastas atempadamente**
- ! **utilizar sempre a ferramenta com toda a superfície de lixagem coberta por folha de lixa**

- monte a folha de lixa VELCRO como ilustrado
- Aspiração de pó
 - ! **não utilizar a caixa de recolha do pó/o aspirador ao lixar metais**
 - Caixa do pó ⑦
 - esvazie periodicamente a caixa de recolha do pó A para uma melhor recolha do pó
 - remova a caixa de recolha de pó A puxando a mesma A para trás
 - Para utilizar o aspirador
 - monte o adaptador para aspirador D como ilustrado ⑧a
 - ligue o tubo do aspirador ao adaptador do aspirador D ⑧b
- Interruptor para ligar/desligar
 - ligue/desligue a ferramenta premindo o interruptor para dentro/para fora
 - ! **a ferramenta deve estar ligada antes que a base alcance a peça a trabalhar**
 - ! **antes de desligar a ferramenta, deve levantá-la da peça de trabalho**
- Segurar e guiar a ferramenta ⑨
 - ! **durante o trabalho, segure sempre a ferramenta na(s) área(s) de fixação cinzenta(s)**
 - guie a ferramenta paralelamente à peça a trabalhar
 - ! **não aplique demasiada pressão na ferramenta; deixe que a ferramenta trabalhe por si**
 - não incline a ferramenta de modo a evitar marcas indesejáveis
 - mantenha as aberturas de ventilação C ② destapadas

CONSELHOS DE APLICAÇÃO

- Utilize a ferramenta para lixar grandes superfícies, cantos e arestas ⑩
- Desloque a ferramenta em movimentos rectilíneos e sempre no sentido dos veios da madeira
 - para acabamentos de madeira nua
 - para acabamentos extra-finos
- Nunca trabalhar madeira e metal com a mesma folha de lixa
- Grãos de folhas de lixa recomendados:
 - para remover tinta e lixar madeira extremamente irregular, utilize grãos de lixa grossos (40, 60)
 - para lixar madeira plana ou irregular, utilize grãos de lixa médios (80, 100, 120)
 - para alisar madeira e superfícies com tinta velhas, assim como fazer o acabamento de madeira em bruto, utilize grãos de lixa finos (180, 240, 320)
- Use diferentes grãos de lixa quando trabalhar madeira dura:
 - comece com grão grosso ou médio
 - acabe com grão fino
- Para mais informação, consulte www.skil.com

MANUTENÇÃO / SERVIÇO

- Esta ferramenta não se destina a utilização profissional
- Mantenha a ferramenta e o fio sempre limpos (especialmente as ranhuras de respiração C ②)
 - remover o pó de lixa aderido com um pincel
 - ! **desligar a ferramenta da fonte de corrente antes de limpar**
- Se a ferramenta falhar apesar de cuidadosos processos de fabricação e de teste, a reparação deverá ser

executada por uma oficina de serviço autorizada para ferramentas eléctricas SKIL

- envie a ferramenta **sem desmontar**, juntamente com a prova de compra, para o seu revendedor ou para o centro de assistência SKIL mais próximo (os endereços assim como a mapa de peças da ferramenta estão mencionados no www.skil.com)
- Não se esqueça de que os danos provocados por sobrecarga ou manuseamento incorrecto da ferramenta estão excluídos da garantia (para mais informações sobre as condições da garantia da SKIL, consulte www.skil.com ou pergunte ao seu revendedor)

AMBIENTE

- **Não deite ferramentas eléctricas, acessórios e embalagem no lixo doméstico** (apenas para países da UE)
 - de acordo com a directiva europeia 2012/19/CE sobre ferramentas eléctricas e electrónicas usadas e a transposição para as leis nacionais, as ferramentas eléctricas usadas devem ser recolhidas em separado e encaminhadas a uma instalação de reciclagem dos materiais ecológica
 - símbolo ⑤ lhe avisará em caso de necessidade de arranjá-las

RUÍDO / VIBRAÇÃO

- O nível de pressão sonora desta ferramenta, medido de acordo com a EN 62841, é de 73,0 dB(A) e o nível de potência acústica é de 84,0 dB(A) (incerteza K = 3 dB), e a vibração 4,1 m/s² (soma do vector triax; incerteza K = 1,5 m/s²)
- O nível de emissão de vibrações foi medido de acordo com um teste normalizado fornecido na EN 62841; pode ser utilizado para comparar uma ferramenta com outra e como uma avaliação preliminar de exposição à vibração quando utilizar a ferramenta para as aplicações mencionadas
 - utilizar a ferramenta para diferentes aplicações ou com acessórios diferentes ou mantidos deficientemente, pode **aumentar** significativamente o nível de exposição
 - o número de vezes que a ferramenta é desligada ou quando estiver a trabalhar sem fazer nada, pode **reduzir** significativamente o nível de exposição
 - ! **proteja-se contra os efeitos da vibração, mantendo a ferramenta e os acessórios, mantendo as mãos quentes e organizando os padrões de trabalho**



Levigatrice multifunzione

7260

INTRODUZIONE

- Questo utensile serve per la smerigliatura e la rifinitura a secco del legno, delle superfici verniciate, della plastica e del riempimento
- Questo utensile non è inteso per un uso professionale
- Leggete e conservate questo manuale di istruzione ③

DATI TECNICI ①

ELEMENTI UTENSILE ②

- A Scatola della polvere
 - B Interruttore di acceso/spento
 - C Feritoie di ventilazione
 - D Adattatore per aspirapolvere*
- * NON INCLUSO/A DI SERIE

SICUREZZA

AVVERTENZE GENERALI DI PERICOLO PER ELETTROUTENSILI

AVVERTENZA Leggere tutte le avvertenze di sicurezza, istruzioni, illustrazioni e specifiche fornite con l'utensile. La mancata osservanza di tutte le istruzioni sottoelencate potrebbe causare delle scariche elettriche, principi d'incendio e/o gravi lesioni.

Conservare tutte le avvertenze di pericolo e le istruzioni operative per ogni esigenza futura.

Il termine "elettroutensile" utilizzato nelle avvertenze di pericolo si riferisce ad elettroutensili alimentati dalla rete (con linea di allacciamento) ed ad elettroutensili alimentati a batteria (senza linea di allacciamento).

1) SICUREZZA DELLA POSTAZIONE DI LAVORO

- a) **Mantenere pulito ed ordinato il posto di lavoro.** Il disordine o le zone di lavoro non illuminate possono essere fonte di incidenti.
- b) **Evitare d'impiegare l'elettroutensile in ambienti soggetti al rischio di esplosioni nei quali si trovino liquidi, gas o polveri infiammabili.** Gli elettroutensili producono scintille che possono far infiammare la polvere o i gas.
- c) **Mantenere lontani i bambini ed altre persone durante l'impiego dell'elettroutensile.** Eventuali distrazioni potranno comportare la perdita del controllo sull'elettroutensile.

2) SICUREZZA ELETTRICA

- a) **La spina per la presa di corrente dovrà essere adatta alla presa. Evitare assolutamente di apportare modifiche alla spina. Non impiegare spine adattatrici assieme ad elettroutensili con collegamento a terra.** Le spine non modificate e le prese adatte allo scopo riducono il rischio di scosse elettriche.
- b) **Evitare il contatto fisico con superfici collegate a terra, come tubi, riscaldamenti, cucine elettriche e frigoriferi.** Sussiste un maggior rischio di scosse elettriche nel momento in cui il corpo è messo a massa.
- c) **Custodire l'elettroutensile al riparo dalla pioggia o dall'umidità.** L'eventuale infiltrazione di acqua in un elettroutensile va ad aumentare il rischio d'insorgenza di scosse elettriche.
- d) **Non usare il cavo per scopi diversi da quelli previsti al fine di trasportare o appendere l'elettroutensile, oppure di togliere la spina dalla presa di corrente. Mantenere l'elettroutensile al riparo da fonti di calore, dall'olio, dagli spigoli o da pezzi in**

movimento. I cavi danneggiati o aggrovigliati aumentano il rischio d'insorgenza di scosse elettriche.

- e) **Qualora si voglia usare l'elettroutensile all'aperto, impiegare solo ed esclusivamente cavi di prolunga omologati per l'impiego all'esterno.** L'uso di un cavo di prolunga omologato per l'impiego all'esterno riduce il rischio d'insorgenza di scosse elettriche.
 - f) **Qualora non fosse possibile evitare di utilizzare l'elettroutensile in ambiente umido, utilizzare un interruttore di messa a terra.** L'uso di un interruttore di messa a terra riduce il rischio di una scossa elettrica.
- #### 3) SICUREZZA DELLE PERSONE
- a) **È importante concentrarsi su ciò che si sta facendo e a maneggiare con giudizio l'elettroutensile durante le operazioni di lavoro. Non utilizzare l'elettroutensile in caso di stanchezza o sotto l'effetto di droghe, bevande alcoliche e medicinali.** Un attimo di distrazione durante l'uso dell'elettroutensile potrà causare lesioni gravi.
 - b) **Indossare sempre equipaggiamento protettivo individuale. Usare sempre protezioni per gli occhi.** Se si avrà cura d'indossare equipaggiamento protettivo individuale come la maschera antipolvere, la calzatura antidistrucchiole di sicurezza, il casco protettivo o la protezione dell'udito, a seconda dell'impiego previsto per l'elettroutensile, si potrà ridurre il rischio di ferite.
 - c) **Evitare l'accensione involontaria dell'elettroutensile. Prima di collegarlo alla rete di alimentazione elettrica e/o alla batteria ricaricabile, prima di prenderlo oppure prima di iniziare a trasportarlo, assicurarsi che l'elettroutensile sia spento.** Tenendo il dito sopra l'interruttore mentre si trasporta l'elettroutensile oppure collegandolo all'alimentazione di corrente con l'interruttore inserito, si vengono a creare situazioni pericolose in cui possono verificarsi seri incidenti.
 - d) **Togliere gli attrezzi di regolazione o la chiave inglese prima di accendere l'elettroutensile.** Un elettroutensile o una chiave inglese che si trovino in una parte dell'elettroutensile in rotazione potranno causare lesioni.
 - e) **È importante non sopravvalutarsi. Avere cura di mettersi in posizione sicura e di mantenere l'equilibrio.** In tale maniera sarà possibile controllare meglio l'elettroutensile in situazioni inaspettate.
 - f) **Indossare vestiti adeguati. Evitare di indossare vestiti lenti o gioielli. Tenere capelli e vestiti lontani da parti in movimento.** Vestiti lenti, gioielli o capelli lunghi potranno impigliarsi in pezzi in movimento.
 - g) **Se sussiste la possibilità di montare dispositivi di aspirazione o di captazione della polvere, assicurarsi che gli stessi siano stati installati correttamente e vengano utilizzati senza errori.** L'utilizzo di un'aspirazione polvere può ridurre lo svilupparsi di situazioni pericolose dovute alla polvere.
 - h) **Una volta presa confidenza con gli utensili, evitare di trascurare le norme di sicurezza.** Una mancanza di attenzione può causare gravi lesioni in una frazione di secondo.
- #### 4) MANEGGIO ED IMPIEGO ACCURATO DI ELETTROUTENSILI
- a) **Non sovraccaricare l'elettroutensile. Impiegare l'elettroutensile adatto per sbrigare il lavoro.**

Utilizzando l'elettrotensile adatto si potrà lavorare meglio e con maggior sicurezza nell'ambito della gamma di potenza indicata.

- b) **Non utilizzare elettrotensili con interruttori difettosi.** Un elettrotensile che non si può più accendere o spegnere è pericoloso e dovrà essere riparato.
 - c) **Prima di procedere ad operazioni di regolazione sull'elettrotensile, prima di sostituire parti accessorie oppure prima di posare l'elettrotensile al termine di un lavoro, estrarre sempre la spina dalla presa della corrente e/o estrarre la batteria ricaricabile, se rimovibile.** Tale precauzione eviterà che l'elettrotensile possa essere messo in funzione inavvertitamente.
 - d) **Custodire gli elettrotensili non utilizzati al di fuori della portata dei bambini. Non fare usare l'elettrotensile a persone che non sono abituate ad usarlo o che non abbiano letto le presenti istruzioni.** Gli elettrotensili sono pericolosi se utilizzati da persone inesperte.
 - e) **Eeguire la manutenzione degli elettrotensili e degli accessori. Verificare che le parti mobili dell'elettrotensile funzionino perfettamente e non s'incepiscono, che non ci siano pezzi rotti o danneggiati al punto tale da limitare la funzione dell'elettrotensile stesso. Far riparare le parti danneggiate prima d'impiegare l'elettrotensile.** Numerosi incidenti vengono causati da elettrotensili la cui manutenzione è stata effettuata poco accuratamente.
 - f) **Mantenere affilati e puliti gli elettrotensili da taglio.** Gli elettrotensili da taglio curati con particolare attenzione e con taglienti affilati s'incepiscono meno frequentemente e sono più facili da condurre.
 - g) **Utilizzare elettrotensili, accessori, attrezzi, ecc. in conformità con le presenti istruzioni. Osservare le condizioni di lavoro ed il lavoro da eseguirsi durante l'impiego.** L'impiego di elettrotensili per usi diversi da quelli consentiti potrà dar luogo a situazioni di pericolo.
 - h) **Mantenere impugnature e superfici di presa asciutte, pulite e prive di olio e grasso.** Impugnature e superfici di presa scivolose non consentono di manipolare e controllare l'utensile in caso di situazioni inaspettate.
- 5) ASSISTENZA**
- a) **Fare riparare l'elettrotensile solo ed esclusivamente da personale specializzato e solo impiegando pezzi di ricambio originali.** In tale maniera potrà essere salvaguardata la sicurezza dell'elettrotensile.

ISTRUZIONI DI SICUREZZA PER LEVIGATRICI

NOTE GENERALI

- Questo utensile non dev'essere utilizzato da persone di età inferiore ai 16 anni
- Questo utensile non può lavorare con acqua
- Non usare mai l'utensile se il cavo è danneggiato; sostituire con un cavo apposito disponibile presso i centri di assistenza.
- **Non lavorare mai materiali contenenti amianto** (l'amianto è ritenuto materiale cancerogeno)

• **Staccate sempre la spina dell'utensile prima di effettuare regolazioni o cambiare gli accessori**

ACCESSORI

- La SKIL garantisce un perfetto funzionamento dell'utensile soltanto se vengono utilizzati accessori originali
- Non continuare ad usare fogli usurati, stagliati oppure già troppo carichi di materiale levigato

PRIMA DELL'USO

- Controllare che la tensione dell'alimentazione sia la stessa di quella indicata sulla targhetta dell'utensile
- Evitate possibili danneggiamenti da viti e chiodi sporgenti; rimuoverli prima di iniziare la lavorazione
- Usare cavi di prolunga completamente srotolati e sicure con una capacità di 16 Amp
- Durante le operazioni di lavoro il livello di rumorosità può superare 85 dB(A); utilizzare le cuffie di protezione
- Le polveri di materiali come vernici contenenti piombo, alcune specie di legno, minerali e metallo possono essere nocive (il contatto con queste polveri o la loro inalazione possono causare reazioni allergiche e/o disturbi respiratori all'operatore o ad altre persone presenti sul posto); **indossare una maschera protettiva per la polvere e utilizzare un dispositivo per l'estrazione della polvere se è presente una presa di collegamento**
- Alcuni tipi di polvere sono classificati come cancerogeni (quali le polveri di quercia e faggio) specialmente se associate ad additivi per il trattamento del legno; **indossare una maschera protettiva per la polvere e utilizzare un dispositivo per l'estrazione della polvere se è presente una presa di collegamento**
- Rispettare le istruzioni nazionali riguardanti l'estrazione della polvere per i materiali in lavorazione
- Portare guanti protettivi, occhiali di protezione, abiti adatti ed aderenti al corpo e una protezione per i capelli (in caso di capelli lunghi)
- Nella levigatura del metallo vengono generate scintille; non utilizzare la scatola della polvere e allontanare altre persone e materiali infiammabili dall'area di lavoro
- **Fissare il pezzo da lavorare** (un pezzo in lavorazione rimane bloccato in posizione con maggiore sicurezza se fissato con appositi dispositivi di serraggio o con una morsa e non tenendolo con la mano)

DURANTE L'USO

- Mantenere sempre il cavo distante dalle parti in movimento dell'utensile; spingere il cavo verso la parte posteriore, distante dall'utensile
- Evitare di toccare il foglio mentre questo si trova in movimento
- Nel caso di cattivo funzionamento elettrico o meccanico, spegnete subito l'utensile e staccate la spina
- Se durante un'operazione di lavoro viene danneggiato oppure troncato il cavo, non toccare il cavo ma estrarre immediatamente la spina dalla presa

DOPO L'USO

- Quando riponete l'utensile accertatevi che non ci siano parti in movimento e che il motore sia spento

SPIEGAZIONE DEI SIMBOLI PRESENTI SULL'UTENSILE

- ③ Leggere il manuale di istruzioni prima dell'uso
- ④ Doppio isolamento (non è necessario alcun cavo di terra)
- ⑤ Non gettare l'utensile tra i rifiuti domestici

USO

- Montaggio del foglio abrasivo ⑥
 - ! **estrarre la spina dalla presa**
 - ! **per non ostacolare l'aspirazione impiegare solo foglio abrasivo perforato**
 - ! **i fori del foglio devono corrispondere ai fori della piastra**
 - ! **sostituire il foglio abrasivo consumato per tempo**
 - ! **usare l'utensile sempre con l'intera superficie levigante coperta da foglio abrasivo**
 - montare il foglio abrasivo di VELCRO come illustrato
- Aspirazione della polvere
 - ! **non usare la scatola della polvere/l'aspirapolvere durante al smerigliatura del metallo**
 - Scatola della polvere ⑦
 - svuotare regolarmente la scatola della polvere A per ottimale raccolta della polvere
 - rimuovere la scatola della A tirando la scatola della polvere A indietro
 - Per usare un aspirapolvere
 - montare l'adattatore per aspirapolvere D come illustrato ⑧a
 - collegare il tubo dell'aspirapolvere all'adattatore per aspirapolvere D ⑧b
- Interruttore di accesso/spento
 - attivate/disattivate l'utensile premendo in dentro/fuori l'interruttore
 - ! **prima che la superficie levigante raggiunga il pezzo in lavorazione, l'utensile deve essere acceso**
 - ! **prima di spegnere l'utensile, dovrete sollevarlo dal pezzo di lavorazione**
- Tenuta e guida dell'utensile ⑨
 - ! **durante la lavorazione, impugnare l'utensile sempre in corrispondenza della(e) area(e) grigia(e)**
 - tenere l'utensile parallelo alla superficie di lavoro
 - ! **non applicare troppa pressione all'utensile; lasciare che sia la superficie levigante a lavorare per voi**
 - non inclinare l'utensile per evitare segni di levigatura non voluti
 - tenere scoperte le feritoie di ventilazione C ②

CONSIGLIO PRATICO

- Utilizzare l'utensile per sabbare grandi superfici, angoli e bordi ⑩
- Dare all'utensile movimenti dritti lungo le venature del legno
 - per rifinire legno nudo
 - per la rifinitura extra fine
- Mai eseguire lavorazioni con lo stesso foglio abrasivo su legno e su metallo
- Fogli abrasivi a grana raccomandata per i seguenti usi:
 - per rimuovere vernice e per la sabbatura di legno particolarmente ruvido, utilizzare una grana ruvida (40, 60)
 - per la sabbatura di legno ruvido o grezzo, utilizzare una grana media (80, 100, 120)
 - per levigare legno e superfici con vernice vecchia e per la finitura di legno nudo, utilizzare una grana fine (180, 240, 320)

- Uso di diverse dimensioni di grana per superfici ruvide:
 - iniziare con un foglio a grana ruvida o media
 - terminare con un foglio a grana fine
- Per ulteriori informazioni consultare il sito www.skil.com

MANUTENZIONE / ASSISTENZA

- Questo utensile non è inteso per un uso professionale
- Tenete sempre puliti utensile e cavo (soprattutto le feritoie di ventilazione C ②)
 - asportare con un pennello la polvere da levigatura che sia rimasta attaccata
- ! **prima di pulire estrarre la spina dalla presa**
- Se nonostante gli accurati procedimenti di produzione e di controllo l'utensile dovesse guastarsi, la riparazione va fatta effettuare da un punto di assistenza autorizzato per gli elettrodomestici SKIL
 - inviare l'utensile **non smontato** assieme alle prove di acquisto al rivenditore oppure al più vicino centro assistenza SKIL (l'indirizzo ed il disegno delle parti di ricambio dell'utensile sono riportati su www.skil.com)
- Tenere presente che danni causati da sovraccarico o utilizzo improprio sono esclusi dalla garanzia (per la condizioni di garanzia SKIL, visitare il sito www.skil.com o contattare il proprio rivenditore)

TUTELA DELL'AMBIENTE

- **Non gettare l'elettrodomestico, gli accessori e l'imballaggio con i rifiuti domestici** (solo per Paesi UE)
 - secondo la Direttiva Europea 2012/19/CE sui rifiuti di utensili elettrici ed elettronici e la sua attuazione in conformità alle norme nazionali, gli elettrodomestici esausti devono essere raccolti separatamente, al fine di essere reimpiagati in modo eco-compatibile
 - il simbolo ⑤ vi ricorderà questo fatto in fase di smaltimento

RUMOROSITÀ / VIBRAZIONE

- Misurato secondo EN 62841, il livello di pressione sonora garantito di questo utensile è di 73,0 dB(A), il livello di rumorosità è di 84,0 dB(A) (incertezza K = 3 dB) e il livello delle vibrazioni di 4,1 m/s² (somma vettoriale di tre direzioni; incertezza K = 1.5 m/s²)
- Il livello di emissione delle vibrazioni è stato misurato in conformità a un test standardizzato stabilito dalla norma EN 62841; questo valore può essere utilizzato per mettere a confronto un l'utensile con un altro o come valutazione preliminare di esposizione alla vibrazione quando si impiega l'utensile per le applicazioni menzionate
 - se si utilizza l'utensile per applicazioni diverse, oppure con accessori differenti o in scarse condizioni, il livello di esposizione potrebbe **aumentare** notevolmente
 - i momenti in cui l'utensile è spento oppure è in funzione ma non viene effettivamente utilizzato per il lavoro, possono contribuire a **ridurre** il livello di esposizione
- ! **protegersi dagli effetti della vibrazione effettuando la manutenzione dell'utensile e dei relativi accessori, mantenendo le mani calde e organizzando i metodi di lavoro**

Multicsiszoló

7260

BEVEZETÉS

- Ez a szerszám fa, festett felületek, műanyagok és tapaszok csiszolásához és felületek végső simításához használható
- A szerszám nem professzionális használatra készült
- Olvassa el figyelmesen és őrizze meg a használati utasítást ③

MŰSZAKI ADATOK ①

SZERSZÁMGÉP ELEMEI ②

- A Porzsák
 - B Be/ki kapcsológomb
 - C Szellőzőnyílások
 - D Porszívó illesztőegység*
- * NEM STANDARD TARTOZÉK

BIZTONSÁG

ÁLTALÁNOS BIZTONSÁGI ELŐÍRÁSOK AZ ELEKTROMOS KÉZISZERSZÁMOKHOZ

FIGYELMEZTETÉS Olvassa el a szerszámgéphez tartozó biztonsági figyelmeztetéseket, utasításokat, ábrákat és specifikációkat. Az alábbi utasítások figyelmen kívül hagyása elektromos áramütéshez, tűzhöz és/vagy súlyos balesethez vezethet.

Őrizze meg a jövőbeli használatra is valamennyi biztonsági előírást és utasítást.

Az alább alkalmazott "elektromos kéziszerszám" fogalom a hálózati elektromos kéziszerszámokat (hálózati csatlakozó kábellel) és az akkumulátoros elektromos kéziszerszámokat (hálózati csatlakozó kábel nélkül) foglalja magában.

1) MUNKAHELYI BIZTONSÁG

- a) **Tartsa tisztán és tartsa rendszerben a munkahelyét.** Rendetlen munkahelyek vagy megvilágítatlan munkaterületek balesetekhez vezethetnek.
- b) **Ne dolgozzon az elektromos kéziszerszámmal olyan robbanásveszélyes környezetben, ahol éghető folyadékok, gázok vagy porok vannak.** Az elektromos kéziszerszámok szikrákat bocsáthatnak ki, amelyek meggyújthatják a port vagy a gőzöket.
- c) **Tartsa távol a gyerekeket és az idegen személyeket a munkahelytől, ha az elektromos kéziszerszámot használja.** Ha elvonják a figyelmét a munkától, könnyen elvesztheti az uralmát a berendezés felett.

2) ELEKTROMOS BIZTONSÁGI ELŐÍRÁSOK

- a) **A készülék csatlakozó dugójának bele kell illeszkednie a dugaszolóaljzatba. A csatlakozó dugót semmilyen módon sem szabad megváltoztatni. Védőföldeléssel ellátott készülékekkel kapcsolatban ne használjon csatlakozó adaptert.** A változtatás nélküli csatlakozó dugók és a megfelelő dugaszoló aljak csökkentik az áramütés kockázatát.

- b) **Ne érjen hozzá földelt felületekhez, mint csövekhez, fűtőtestekhez, kályhákhoz és hűtőszekrényekhez.** Az áramütési veszély megnövekszik, ha a teste le van földelve.

- c) **Tartsa távol az elektromos kéziszerszámot az esőtől és a nedvesség hatásaitól.** Ha víz hatol be egy elektromos kéziszerszámba, ez megnöveli az áramütés veszélyét.

- d) **Ne használja a kábelt a rendeltetésétől eltérő célokra, vagyis a szerszámot soha ne hordozza vagy akassza fel a kábelnél fogva, és soha ne húzza ki a hálózati csatlakozó dugót a kábelnél fogva. Tartsa távol a kábelt hőforrásoktól, olajtól, éles élektől, sarkaktól és mozgó gépkatrészekről.** Egy megrongálódott vagy csomókkal teli kábel megnöveli az áramütés veszélyét.

- e) **Ha egy elektromos kéziszerszámmal a szabad ég alatt dolgozik, csak a szabadban való használatra engedélyezett hosszabbítót használjon.** A szabadban való használatra engedélyezett hosszabbító használata csökkenti az áramütés veszélyét.

- f) **Ha nem lehet elkerülni az elektromos kéziszerszám nedves környezetben való használatát, alkalmazzon egy földzáralt megszakítót.** Egy földzáralt megszakító alkalmazása csökkenti az áramütés kockázatát.

3) SZEMÉLYI BIZTONSÁGI ELŐÍRÁSOK

- a) **Munka közben mindig figyeljen, ügyeljen arra, amit csinál, és meggondoltan dolgozzon az elektromos kéziszerszámmal.** Ha fáradt, ha kábítószerek vagy alkohol hatása alatt áll, vagy orvosságokat vett be, ne használja a berendezést. A berendezéssel végzett munka közben már egy pillanatnyi figyelmetlenség is komoly sérülésekhez vezethet.
- b) **Viseljen személyi védőfelszerelést és mindig viseljen védőszemüveget.** A személyi védőfelszerelések, mint porvédő álarc, csúszásbiztos védőcipő, védősapka és fülvédő használata az elektromos kéziszerszám használata jellegének megfelelően csökkenti a személyes sérülések kockázatát.
- c) **Kerülje el a készülék akaratlan üzembe helyezését. Győződjön meg arról, hogy az elektromos kéziszerszám ki van kapcsolva, mielőtt bedugná a csatlakozó dugót a dugaszolóaljzatba, csatlakoztatná az akkumulátor-csomagot, és mielőtt felvenné és vinni kezdené az elektromos kéziszerszámot.** Ha az elektromos kéziszerszám felemelése közben az ujját a kapcsolón tartja, vagy ha a készüléket bekapcsolt állapotban csatlakoztatja az áramforráshoz, ez balesetekhez vezethet.
- d) **Az elektromos kéziszerszám bekapcsolása előtt okvetlenül távolítsa el a beállító szerszámokat vagy csavarkulcsokat.** Az elektromos kéziszerszám forgó részeiben felejtett beállító szerszám vagy csavarkulcs sérüléseket okozhat.
- e) **Ne becsülje túl önmagát. Kerülje el a normálistól eltérő testtartást, ügyeljen arra, hogy mindig biztosan álljon és az egyensúlyát megtartsa.** Így az elektromos kéziszerszám felett váratlan helyzetekben is jobban tud uralkodni.
- f) **Viseljen megfelelő ruhát. Ne viseljen bő ruhát vagy ékszereket. Tartsa távol a haját és a ruháját a mozgó részekről.** A bő ruhát, az ékszereket és a hosszú haját a

mozgó alkatrészek magukkal ránthatják.

- g) **Ha az elektromos kéziszerszámra fel lehet szerelni a por elszívásához és összegyűjtéséhez szükséges berendezéseket, ellenőrizze, hogy azok megfelelő módon hozzá vannak kapcsolva a készülékhez és rendeltetésüknek megfelelően működnek.** A porgyűjtő berendezések használatát csökkenti a munka során keletkező por veszélyes hatását.
- h) **Ne hagyja, hogy az elektromos kéziszerszám gyakori használata során szerzett tapasztalatok olyan önelégültté tegyék, hogy figyelmen kívül hagyja az idevonatkozó biztonsági alapelveket.** Egy gondatlan művelet egy másodperc törtreze alatt súlyos sérüléseket okozhat.
- 4) **AZ ELEKTROMOS KÉZISZERSZÁMOK GONDOS KEZELÉSE ÉS HASZNÁLATA**
- a) **Ne terhelje túl az elektromos kéziszerszámot. A munkájához csak az arra szolgáló elektromos kéziszerszámmal a megadott teljesítménytartományon belül jobban és biztonságosabban lehet dolgozni.**
- b) **Ne használjon olyan elektromos kéziszerszámot, amelynek a kapcsolója elromlott.** Egy olyan elektromos kéziszerszám, amelyet nem lehet sem be-, sem kikapcsolni, veszélyes és meg kell javíttatni.
- c) **Húzza ki a csatlakozó dugót a dugaszolóaljzattól és/vagy távolítsa el az akkumulátor-csomagot (ha az leválasztható) az elektromos kéziszerszámtól, mielőtt az elektromos kéziszerszámon beállítási munkákat végez, tartozékokat cserél vagy a szerszámot tárolásra elteszi.** Ez az elővigyázatossági intézkedés meggátolja a szerszám akaratlan üzembe helyezését.
- d) **A használaton kívüli elektromos kéziszerszámokat olyan helyen tárolja, ahol azokhoz gyerekek ne férhess nek hozzá. Ne hagyja, hogy olyan személyek használják az elektromos kéziszerszámot, akik nem ismerik a szerszámot, vagy nem olvasták el azt az útmutatót.** Az elektromos kéziszerszámok veszélyesek, ha azokat gyakorlatlan személyek használják.
- e) **Az elektromos kéziszerszámot és tartozékait gondosan tartsa karban. Ellenőrizze, hogy a mozgó alkatrészek kifogástalanul működnek-e, nincsenek-e beszorulva, és nincsenek-e eltörve vagy megrongálódva olyan alkatrészek, amelyek hatással lehetnek az elektromos kéziszerszám működésére. A megrongálódott részeket a készülék használatára előtt javíttassa meg.** Sok olyan baleset történik, amelyet az elektromos kéziszerszám nem kielégítő karbantartására lehet visszavezetni.
- f) **Tartsa tisztán és éles állapotban a vágószerszámokat.** Az éles vágóélekkel rendelkező és gondosan ápolat vágószerszámok ritkábban ékelődnek be és azokat könnyebben lehet vezetni és irányítani.
- g) **Az elektromos kéziszerszámokat, tartozékokat, betétszerszámokat stb. csak ezen előírásoknak használja. Vegye figyelembe a munkafeltételeket és a kivitelezendő munka sajátosságait.** Az elektromos kéziszerszám eredeti rendeltetésétől eltérő célokra való alkalmazása veszélyes helyzetekhez vezethet.
- h) **Tartsa szárazon, tisztán és olaj- és zsírmentes állapotban a fogantyúkat és markoló felületeket.** A csúszós fogantyúk és markoló felületek váratlan

helyzetekben lehetetlenné teszik az elektromos kéziszerszám biztonságos kezelését és irányítását.

5) SZERVIZ

- a) **Az elektromos kéziszerszámot csak szakképzett személyzet és csak eredeti pótalkatrészek felhasználásával javíthatja.** Ez biztosítja, hogy az elektromos kéziszerszám biztonságos szerszám maradjon.

BIZTONSÁGI ELŐÍRÁSOK CSISZOLÓKHOZ

ÁLTALÁNOS TUDNIVALÓK

- A készüléket csak 16 éven felüli személyek használják
- Ez a készülék nedves csiszolási munkálatokhoz nem használható
- Soha ne használja a szerszámot, ha a kábel sérült; ilyen esetben azt egy speciális kábelre kell lecserélni, amely a szervizelést végző ügyfélszolgálatnál érhető el.
- **Ne munkáljon meg a berendezéssel azbesztt tartalmazó anyagokat** (az azbeszttnek rákkeltő hatása van)
- **Mindig húzza ki a dugaszolóaljzattal mielőtt tartozékokat cserélne vagy bármit változtatna a gép beállításán**

TARTOZÉKOK

- SKIL cég kizárólag eredeti alkatrészek és kiegészítők alkalmazása esetén tudja garantálni a gép problémamentes működését
- Ne üzemeltesse a csiszológépet kopott, szakadt vagy erősen szoruló csiszoló papír

HASZNÁLAT ELŐTT

- Mindig ellenőrizze, hogy a hálózati feszültség megegyezik-e a szerszám adattábláján feltüntetett értékkel
- Ügyeljen arra, hogy a munkadarabban lévő csavar, szög vagy hasonló sérüléseket ne okozhasson; a munka megkezdése előtt eltávolítandó
- Használjon teljesen letekerített és biztonságos hosszabbítókábelt, 16 A-es teljesítménnyel
- Munka közben a zaj meghaladhatja a 85 dB(A); használjon fülvédőt
- Az anyagból származó por, mint például az ólom, néhány fajfajtát, ásványi anyagokat és fémeket tartalmazó festékek, káros lehet (a por érintése vagy belégzése allergiás reakciókat és/vagy légzőszervi betegségeket okozhat a kezelő, illetve a közelben állók esetében); **viseljen pormaszkot és amennyiben csatlakoztatható, dolgozzon porelszívó berendezéssel**
- Bizonyos porfajták rákkeltő besorolással rendelkeznek (ilyen például a tölgly- és a bükkfa pora), különösen a fa kondicionálására szolgáló adalékokkal együtt; **viseljen pormaszkot és amennyiben csatlakoztatható, dolgozzon porelszívó berendezéssel**
- Kövesse a por kezelésével kapcsolatos helyi előírásokat azon termékkel kapcsolatban, amellyel dolgozni kíván
- Viseljen védőkesztyűt, védőszemüveget, testhez álló ruházatot és ügyeljen haja védelmére (hosszú haj esetén)
- Fém csiszolásakor szikra keletkezik; ne használjon porzsákat; ügyeljen arra, hogy senki ne tartózkodjon a munkaterületen, és ne legyen a közelben gyúlékony anyag
- **Rögzítse a munkadarabot** (befogókészülékkel vagy satuval befogott munkadarabot sokkal biztonságosabban lehet rögzíteni mint a kézzel tartottat)

HASZNÁLAT KÖZBEN

- A gép mozgó részétől mindig tartsa távol az elektromos kábelt; terelje a tápkábelt a gép hátulja felé, a géptől elfelé
- Ne nyúljon a mozgásban lévő csiszoló papír
- Normálistól eltérő működés valamint szokatlan, idegen hangok esetén a készüléket azonnal kapcsolja ki és a kábelt húzza ki a fali dugaszoló aljzatból
- Ha a kábel munka közben megsérül vagy el van vága, ne érjen a kábelhoz, hanem azonnal húzza ki a konektorból

A HASZNÁLATOT KÖVETŐEN

- A gépet soha ne hagyja bekapcsolt állapotban, ha már nem dolgozik vele

A SZERSZÁMON TALÁLHATÓ SZIMBÓLUMOK MAGYARÁZATA

- ③ Használat előtt olvassa el a használati utasítást
- ④ Kettős szigetelés (földelővezeték nem szükséges)
- ⑤ A gépet ne dobja a háztartási szemétkébe

KEZELÉS

- Csiszolópapír rögzítés ⑥
! húzzuk ki a kábel dugóját a csatlakozó aljzatból
! a porszíváshoz perforált, lyukacsos csiszolópapírra van szüksége
! a csiszolópapíron lévő perforálásoknak a csiszolótalpon lévő lyukakkal egybe kell esniük
! az elhasznált csiszolópapírt időben ki kell cserélni
! a készüléket mindig úgy használja, hogy a csiszolópapír fedje a teljes felületet
- helyezze fel a VELCRO csiszolópapírt az ábra alapján
- Por elszívás
! ne használjon porzsákat/porszívót fém csiszolásakor
Porzsák ⑦
- a porzsákat A időben történő ürítése segíti a tökéletes porgyűjtést
- porzsák eltávolítása A a porzsák A hátrahúzásával
Porszívó használata
- az D porszívó illesztőegységet szerelje fel az ábrán látható módon ⑧a
- csatlakoztassa a porszívó csövét a porszívó adapteréhez D ⑧b
- Be/ki kapcsológomb
- a gépet az kapcsoló kifelé/befelé történő nyomásával kapcsolhatja be/ki
! először kapcsoljuk be a gépet, és csak azután vezessük a munkadarabra
! kikapcsolás előtt készülékét távolítsa el a munkadarabtól- A gép vezetése és tartása ⑨
! munka közben mindvégig tartsa gépet a sötét színű markolati terület(ek)en
- a gépet tartsa párhuzamosan a megmunkálandó felülettel
! ne gyakoroljon túl nagy nyomást a gépre; hagyja azt egyedül dolgozni
- mindig a teljes felülettel csiszoljon, hogy a nemkívánatos csiszolási nyomokat elkerülje
- a szellőzőnyílásokat C ② mindig tartsa szabadon

HASZNÁLAT

- Használja a szerszámot nagyobb felületek, sarkak és szélek csiszolásához ⑩

- Simitáshoz a gépet egyenes vonalban, szálirányban vezesse
- kezeletlen fapelületeknél
- extra finom végső
- Soha ne használjuk ugyanazt a csiszolópapírt fa és fém esetén
- Ajánlott szemcsefinomságok:
- festék eltávolításához és nagyon durva fapelület csiszolásához használjon nagy szemcse nagyságú csiszolópapírt (40, 60)
- durva vagy sima fapelület csiszolásához használjon közepes szemcse nagyságú csiszolópapírt (80, 100, 120)
- régi festékréteget hordozó fapelület és festetlen fapelület simítására használjon finom szemcse nagyságú csiszolópapírt (180, 240, 320)
- Nyers felület megmunkálásánál használjunk különböző szemcse nagyságú csiszolópapírt:
- először durva vagy közepes szemcse nagyságú
- végül finom szemcse
- A további információkért lásd a www.skil.com oldalt

KARBANTARTÁS / SZERVIZ

- A szerszám nem professzionális használatra készült
- Mindig tartsa tisztán a gépet és a vezetőket (különös tekintettel a szellőzőnyílásokra C ②)
- kefe segítségével távolítsa el a szerszámra tapadt csiszolóport
! tisztítás előtt húzza ki a csatlakozódugót
- Ha a gép a gondos gyártási és ellenőrzési eljárás ellenére egyszer mégis meghibásodna, akkor a javítással csak SKIL elektromos kéziszerszám-műhely ügyfélszolgálatát szabad megbízni
- küldje az **összeszerelt** gépet a vásárlást bizonyító számlával együtt a kereskedő vagy a legközelebbi SKIL szervizállomás címére (a címlista és a gép szervizdiagramja a www.skil.com címen található)
- Vegye figyelembe, hogy a garancia nem fedi le a túlterhelés és a gép helytelen használata miatt okozott károkat (a SKIL garanciális feltételeit elolvashatja a www.skil.com oldalon, vagy kérdezze meg kereskedőjét)

KÖRNYEZET

- **Az elektromos kéziszerszámokat, tartozékokat és csomagolást ne dobja a háztartási szemétkébe** (csak EU-országok számára)
- a használt villamos és elektronikai készülékekről szóló 2012/19/EK irányelv és annak a nemzeti jogba való átültetése szerint az elhasznált elektromos kéziszerszámokat külön kell gyűjteni, és környezetbarát módon újra kell hasznosítani
- erre emlékeztet a ⑤ jelzés, amennyiben felmerül az intézkedésre való igény

ZAJ / REZGÉS

- Az EN 62841-es szabványnak megfelelően végzett mérés szerint a szerszám hangnyomása 73,0 dB(A), hangerőszintje 84,0 dB(A) (bizonytalanság K = 3 dB), a vibráció pedig 4,1 m/s² (háromtengelyű vektor összege; bizonytalanság K = 1,5 m/s²)
- A rezgés-kibocsátási szint mérése az EN 62841 szabványban meghatározott szabványosított teszttel

összhangban történő; ez egy eszközhöz egy másik eszközzel történő összehasonlítására, illetve a rezgésnek való kitettség előzetes felmérésére használható fel az eszköznek az említett alkalmazásokra történő felhasználása során

- az eszközhöz eltérő alkalmazásokra, vagy eltérő, illetve rosszul karbantartott tartozékokkal történő felhasználása jelentősen **emelheti** a kitettség szintjét
 - az idő, amikor az eszköz ki van kapcsolva, vagy amikor ugyan működik, de ténylegesen nem végez munkát, jelentősen **csökkentheti** a kitettség szintjét
- ! az eszköz és tartozékai karbantartásával, kezének melegen tartásával, és munkavégzésének megszervezésével védje meg magát a rezgések hatásaitól**

CE

Multifunkční bruska

7260

ÚVOD

- Toto nářadí je určené pro broušení za sucha a pro konečnou úpravu dřeva, natřených povrchů, plastických hmot a kitovaných ploch
- Tento nástroj není určen k profesionálnímu použití
- Tento návod s pokyny si pečlivě přečtěte a uschovejte ③

TECHNICKÁ DATA ①

SOUČÁSTI NÁSTROJE ②

- A Prachová schránka
- B Spínač "zapnuto/vypnuto"
- C Větrací šterbiny
- D Adaptér vysavače*

* NENÍ STANDARDNÍ SOUČÁSTÍ

BEZPEČNOST

OBEČNÉ BEZPEČNOSTNÍ POKYNY PRO ELEKTRONÁŘADÍ

VAROVÁNÍ Přečtěte si veškerá bezpečnostní upozornění, pokyny, obrázky a technické údaje, které jsou s tímto elektrickým nástrojem dodávány. Nedodržení všech níže uvedených pokynů může vést k úrazu elektrickým proudem, požáru a/nebo vážnému zranění.

Všechny pokyny a výstrahy uchovávejte pro budoucí potřebu.

Ve varovných upozorněních použitý pojem "elektronářadí" se vztahuje na elektronářadí provozované na el. síti (se síťovým kabelem) a na elektronářadí provozované na akumulátoru (bez síťového kabelu).

1) BEZPEČNOST PRACOVNÍHO MÍSTA

- a) **Udržujte Vaše pracovní místo čisté a uklizené.** Nepořádek nebo neosvětlené pracovní oblasti mohou vést k úrazům.
- b) **Se strojem nepracujte v prostředích ohrožených explozí, kde se nacházejí hořlavé kapaliny, plyny**

nebo prach. Elektronářadí vytváří jiskry, které mohou prach nebo páry zapálit.

- c) **Děti a jiné osoby udržujte při použití elektronářadí daleko od Vašeho pracovního místa.** Při rozptýlení můžete ztratit kontrolu nad strojem.

2) ELEKTRICKÁ BEZPEČNOST

- a) **Připojovací zástrčka stroje musí lícovat se zásuvkou. Zástrčka nesmí být žádným způsobem upravena. Společně se stroji s ochranným uzemněním nepoužívejte žádné adaptérové zástrčky.** Neupravené zástrčky a vhodné zásuvky snižují riziko elektrického úderu.
 - b) **Zabraňte kontaktu těla s uzemněnými povrchy, jako např. potrubí, topení, sporáky a chladničky.** Je-li Vaše tělo uzemněno, existuje zvýšené riziko elektrického úderu.
 - c) **Chraňte stroj před deštěm a vlhkem.** Vniknutí vody do elektrického stroje zvyšuje nebezpečí elektrického úderu.
 - d) **Dbejte na účel kabelu, nepoužívejte jej k nošení či zavěšení stroje nebo vytažení zástrčky ze zásuvky. Udržujte kabel daleko od tepla, oleje, ostrých hran nebo pohyblivých dílů stroje.** Poškozené nebo spletené kabely zvyšují riziko elektrického úderu.
 - e) **Pokud pracujete s elektronářadím venku, použijte pouze takové prodlužovací kabely, které jsou schváleny i pro venkovní použití.** Použití prodlužovacího kabelu, jež je vhodný pro použití venku, snižuje riziko elektrického úderu.
 - f) **Pokud se nelze vyhnout provozu elektronářadí ve vlhkém prostředí, použijte ochranný jistič.** Nasazení ochranného jističe snižuje riziko úderu elektrickým proudem.
- #### 3) BEZPEČNOST OSOB
- a) **Buďte pozorní, dávejte pozor na to, co děláte a přistupujte k práci s elektronářadím rozumně. Stroj nepoužívejte pokud jste unaveni nebo pod vlivem drog, alkoholu nebo léků.** Moment nepozornosti při použití elektronářadí může vést k vážným poraněním.
 - b) **Noste osobní ochranné pomůcky a vždy ochranné brýle.** Nošení osobních ochranných pomůcek jako maska proti prachu, bezpečnostní obuv s protiskluzovou podrážkou, ochranná přilba nebo sluchátka, podle druhu nasazení elektronářadí, snižují riziko poranění.
 - c) **Zabraňte neúmyslnému uvedení do provozu. Přesvědčte se, že je elektronářadí vypnuté dříve než jej uchopíte, poneseťe či připojíte na zdroj proudu / nebo akumulátor.** Máte-li při nošení elektronářadí prst na spínači nebo pokud stroj připojíte ke zdroji proudu zapnutý, pak to může vést k úrazům.
 - d) **Než stroj zapnete, odstraňte seřizovací nástroje nebo šroubovák.** Nástroj nebo klíč, který se nachází v otáčivém dílu stroje, může vést k poranění.
 - e) **Nepřečehujte se. Zajistěte si bezpečný postoj a vždy udržujte rovnováhu.** Tim můžete stroj v neočekávaných situacích lépe kontrolovat.
 - f) **Noste vhodný oděv. Nenoste žádný volný oděv nebo šperky. Vlasy a oděv udržujte daleko od pohyblivých se dílů.** Volný oděv, šperky nebo dlouhé vlasy mohou být zachyceny pohyblivými se díly.
 - g) **Lze-li namontovat odsávací či zachycující přípravky, přesvědčte se, že jsou připojeny a správně použity.** Použití odsávacího prachu může snížit ohrožení prachem.
 - h) **Dbejte na to, abyste při častém používání**

nářadí nebyli méně ostražití a nezapomínali na bezpečnostní zásady. Nedbalé ovládání může způsobit těžké poranění za zlomek sekundy.

4) SVĚDOMITĚ ZACHÁZENÍ A POUŽÍVÁNÍ ELEKTRONÁŘADÍ

- a) **Stroj nepřetěžujte. Pro svou práci použijte k tomu určený stroj.** S vhodným elektronářadím budete pracovat v udané oblasti výkonu lépe a bezpečněji.
 - b) **Nepoužívejte žádné elektronářadí, jehož spínač je vadný.** Elektronářadí, které nelze zapnout či vypnout je nebezpečné a musí se opravit.
 - c) **Než provedete seřízení stroje, výměnu dílů příslušenství nebo stroj odložíte, vytáhněte zástrčku a/nebo odstraňte odpojitelny akumulátor.** Toto preventivní opatření zabrání neúmyslnému zapnutí stroje.
 - d) **Uchovávejte nepoužívané elektronářadí mimo dosah dětí. Nenechte stroj používat osobám, které se strojem nejsou seznámeny nebo nečetly tyto pokyny.** Elektronářadí je nebezpečné, je-li používáno nezkušenými osobami.
 - e) **Pečujte o elektronářadí a příslušenství svědomitě. Zkontrolujte, zda pohyblivé díly stroje bezvadně fungují a nevzpříčují se, zda díly nejsou zlomené nebo poškozené tak, že je omezena funkce stroje. Poškozené díly nechte před nasazením stroje opravit.** Mnoho úrazů má příčinu ve špatně udržovaném elektronářadí.
 - f) **Řezné nástroje udržujte ostré a čisté.** Pečlivě ošetřované řezné nástroje s ostrými řeznými hranami se méně vzpříčují a dají se lehčeji vést.
 - g) **Používejte elektronářadí, příslušenství, nasazovací nástroje apod. podle těchto pokynů. Respektujte přitom pracovní podmínky a prováděnou činnost.** Použití elektronářadí pro jiné než určující použití může vést k nebezpečným situacím.
 - h) **Udržujte rukojeti a úchytné plochy suché, čisté a bez oleje a maziva.** Kluzké rukojeti a úchytné plochy neumožňují bezpečnou manipulaci a ovládání nářadí v neočekávaných situacích.
- 5) **SERVIS**
- a) **Nechte Váš stroj opravit pouze kvalifikovaným odborným personálem a pouze s originálními náhradními díly.** Tím bude zajištěno, že bezpečnost stroje zůstane zachována.

BEZPEČNOSTNÍ PŘEDPISY PRO BRUSKY

OBECNĚ

- Tento nástroj nesmí používat osoby mladší 16 let
- Tento nářadí není vhodný k broušení za mokra
- Nikdy nástroj nepoužívejte, je-li jeho přívodní šňůra poškozená, šňůra musí být vyměněna za speciálně navrženou šňůru, která je k dispozici přes servisní středisko.
- **Nepracovávají žádné materiály obsahující azbest (azbest je karcinogenní)**
- **Před seřizováním, měněním pilových listů a příslušenství, vždy vytáhněte zástrčku nářadí z el. sítě**

PŘÍSLUŠENSTVÍ

- SKIL zajistí bezvadnou funkci nářadí pouze tehdy, používáte-li původní značkové

- Opotřebovaný, natržený nebo zanesený brusný papír vždy ihned vyměňte

PŘED POUŽITÍM

- Vždy zkontrolujte, zda je napájecí napětí stejné jako napětí uvedené na typovém štítku nástroje
- Vrtáček nepoužívejte je-li navlhá a nepracuje v blízkosti snadno zápalných nebo vysořných materiálů; před zahájením práce je odstraňte
- Používejte zcela rozvinuté a bezpečné prodlužovací šňůry o kapacitě 16 ampér
- Hladina hluku může při práci přesáhnout 85 dB(A); vhodným prostředkem si chraňte udi
- Prach z látek, jako jsou barvy obsahující olovo, některé druhy dřeva, minerály a kovy, může být škodlivý (kontakt s prachem nebo jeho vdechnutí může způsobit alergickou reakci a/nebo vyvolat respirační choroby u obsluhy nebo přihlížejících); **nošte protiprachovou masku a pracujte se zařízením na odsávání prachu, pokud je možné jej připojit**
- Některé druhy prachu jsou klasifikovány jako karcinogenní (například dubový a bukový prach) zejména ve spojení s přísadami pro úpravu dřeva; **nošte protiprachovou masku a pracujte se zařízením na odsávání prachu, pokud je možné jej připojit**
- Dodržujte stanovená nařízení pro práci v prášném prostředí
- Při práci použijte ochranné rukavice, ochranné brýle, sítku na vlasy (dlouhé) a oděv, který se nástrojem nemůže zachytit
- Při broušení vznikají jiskry; nepoužívejte lapač prachu a pracoviště udržujte čisté a nepouštějte k němu neoprávněné osoby
- **Zajistěte obráběný díl** (obráběný díl uchycený pomocí upínacích zařízení nebo ve svěráku je mnohem bezpečnější než v ruce)

BĚHEM POUŽITÍ

- Šňůru udržujte vždy mimo dosah pohyblivých částí nástroje; šňůru nasměrujte dozadu, pryč od nástroje
- Nedotýkejte se pohybujícího se brusného papíru
- V případě atypického chování nebo cizích hluků ihned vypněte nářadí a vytáhněte zástrčku
- Jestliže přívodní šňůru při práci podkódníte nebo prořiznete, nedotýkejte se jí a okamžitě ji vytáhněte ze síťové zásuvky

PO POUŽITÍ

- Jakmile se hodláte vzdát od nářadí, měl byste ho vypnout a vyčkat, dokud se pohybující části nezastaví

VYSVĚTLENÍ SYMBOLŮ NA NÁŘADÍ

- ③ Před použitím si přečtěte návod k použití
- ④ Dvojitá izolace (není nutný zemnicí drát)
- ⑤ Nářadí nevyhazujte do komunálního odpadu

OBSLUHA

- **Přípevnování brusného papíru ⑥**
 - ! **rozpojte přívodní šňůru**
 - ! **pro odsávání je nutné používat perforovaný brusný papír**
 - ! **otvory v brousící papíru musí souhlasit s otvory v brousící desu**
 - ! **opotřebovaný papír včas vyměňte**
 - ! **vždy nářadí tak, že celý brusný povrch pokryjete brusným papírem**
 - upevněte brusný papír VELCRO podle obrázku

- Odsávání prachu
! při broušení kovů lapač prachu/vysavač nepoužívejte
 Prachová schránka ⑦
 - k zajištění optimálního odsávání prachu pravidelně vyprázdněte lapač prachu A
 - prachovou schránku A vyjměte zatažením prachové schránky A dozadu
 Při použití odsávání
 - namontovat otvor odsávání D, jak to ukazuje obrázek ⑧a
 - připojte hadici vysavače k adaptéru vysavače D ⑧b
- Spínač "zapnuto/vypnuto"
 - zapněte/vypněte nářadí posunutím spínače dovnitř/ven
! brusku nejprve zapněte a pak přiložte brousící plochou na obráběný předmět
! před vypnutím nářadí nejprve odejměte od obrobku
- Držení a vedení nástroje ⑨
! při práci vždy držte nástroj v šedě zabarvené oblasti rukojeti
 - udržujte brusku rovnoběžně s obráběnou plochou
! na nářadí přílid netlačte, nechte pracovat brousící plochu za vás
 - zabráníte tak vzniku nežadoucích rýh na obráběném materiálu
 - udržujte větrací štěrbinu C ② nezakryté

NÁVOD K POUŽITÍ

- Nástroj použijte k opracování velkých ploch, rohů a hran ⑩
- Pohybovat nářadí přímými pohyby podél fládování
 - při odbrušování dřevěných povrchů, které nebudou potřebné
 - pro jemní konečné zabroušení dřeva
- Dřevo a kovy se nesmí brousit stejným brusným papírem
- Doporučená zrnitost brousícího papíru:
 - k odstraňování nátěrů a broušení hrubého dřevěného povrchu použijte hrubozrný brusný materiál (40, 60)
 - k broušení hrubého nebo hladkého dřeva použijte brusný materiál se střední zrnitostí (80, 100, 120)
 - k vyhlazování dřeva a povrchů se starým nátěrem a ke konečné úpravě neošetřeného dřeva použijte brusný materiál s jemnou zrnitostí (180, 240, 320)
- Použijte různé zrnění, jestliže je opracovaná plocha hrubá:
 - zpočátku použijte papír se hrubým nebo středním zrněním
 - práci dokončete papírem s jemným zrněním
- Další informace najdete na www.skil.com

ÚDRŽBA / SERVIS

- Tento nástroj není určen k profesionálnímu použití
- Nástroj a přírodní šňůru udržujte čisté (zejména větrací štěrbinu C ②)
 - brusný prach Inoucí k nástroji odstraňte kartáčem
! před čištěním odpojte zástrčku
- Pokud dojde i přes pečlivou výrobu a náročné kontroly k poruše nástroje, svěďte provedení opravy autorizovanému servisnímu středisku pro elektronářadí firmy SKIL
 - zašlete nástroj **nerozebnaný** spolu s potvrzením o

nákupu své prodejně nebo nejbližšímu servisu značky SKIL (adresy a servisní schéma nástroje najdete na www.skil.com)

- Uvědomte si, že na poškození způsobené přetížením nebo nesprávným zacházením se nevztahuje záruka (záruční podmínky společnosti SKIL najdete na adrese www.skil.com nebo se obraťte na prodejce)

ŽIVOTNÍ PROSTŘEDÍ

- **Elektrické nářadí, doplňky a balení nevyhazujte do komunálního odpadu** (jen pro státy EU)
 - podle evropské směrnice 2012/19/EG o nakládání s použitými elektrickými a elektronickými zařízeními a odpovídajících ustanovení právních předpisů jednotlivých zemí se použít elektrická nářadí, musí sbírat odděleně od ostatního odpadu a podrobit ekologicky šetrnému recyklování
 - symbol ⑤ na to upozorňuje

HLUČNOSTI / VIBRACÍ

- Při měření v souladu s normou EN 62841 je hladina akustického tlaku tohoto nástroje 73,0 dB(A), hladina hlučnosti 84,0 dB(A) (nepřesnost K = 3 dB) a vibrace 4,1 m/s² (celková hodnota vibrací; nepřesnost K = 1,5 m/s²)
- Úroveň vibrací byla měřena v souladu se standardizovaným testem podle EN 62841; je možné ji použít ke srovnání jednoho přístroje s druhým a jako předběžné posouzení vystavování se vibracím při používání přístroje k uvedeným aplikacím
 - používání přístroje k jiným aplikacím nebo s jiným či špatně udržovaným příslušenstvím může zásadně **zvýšit** úroveň vystavení se vibracím
 - doba, kdy je přístroj vypnutý nebo kdy běží, ale ve skutečnosti není využíván, může zásadně **snížit** úroveň vystavení se vibracím
! chraňte se před následky vibrací tak, že budete dbát na údržbu přístroje a příslušenství, budete si udržovat teplé ruce a uspořádáte si své pracovní postupy

TR

Multi zimpara

7260

GİRİŞ

- Bu alet kuru zimparalama işlemleri ve ağışap yüzeyleri, boyalı yüzeyleri, plastik yüzeyleri ve boşluk doldurucu maddeleri zimparalama amaçlıdır
- Bu alet profesyonel kullanıma yönelik değildir
- Bu kullanma kılavuzunu okuyun ve saklayın ③

TEKNİK VERİLER ①

ALET BİLEŞENLERİ ②

- A Toz torbası
- B Açma/kapama şalteri
- C Havalandırma yuvaları
- D Süpürge bağlantısı*

* STANDART OLARAK DAHİL DEĞİLDİR

GÜVENLİK

GENEL ELEKTRİKLİ EL ALETİ GÜVENLİK UYARILARI

⚠ UYARI Bu elektrikli alet ile birlikte verilen tüm uyarıları, talimatları, resimleri ve özellikleri okuyun. Aşağıda listelenen talimatların tamamına uyulmaması durumunda elektrik çarpması, yangın ve/veya ciddi yaralanmalar meydana gelebilir.

Tüm uyarı ve talimatları ilerde kullanmak üzere saklayın.

Uyarı ve talimat hükümlerinde kullanılan "elektrikli el aleti" kavramı, akım şebekesine bağlı (şebeke bağlantı kablosu ile) aletlerle akü ile çalışan aletleri (akım şebekesine bağlantısı olmayan aletler) kapsamaktadır.

1) ÇALIŞMA YERİ GÜVENLİĞİ

- Çalıştığınız yeri temiz ve düzenli tutun.** Düzensizlik veya yetersiz aydınlatma kazalara neden olabilir.
- Yanıcı sıvıların, gazların veya tozların bulunduğunu patlama tehlikesi olan yer ve mekânlarda aletle çalışmayın.** Elektrikli el aletleri, toz veya buharların tutuşmasına veya yanmasına neden olan kıvılcımlar çıkarırlar.
- Elektrikli el aletiyle çalışırken çocukları ve başkalarını çalışma alanınızın uzağında tutun.** Yakınızdaki bulunan kişileri dikkatinizi dağıtabilir ve bu da alet üzerindeki kontrolünüzü kaybetmenize neden olabilir.

2) ELEKTRİKSEL GÜVENLİK

- Aletin bağlantı fişi prize uymalıdır. Fişi hiçbir şekilde değiştirmeyin. Koruyucu topraklamalı aletlerle adaptörlü fiş kullanmayın.** Değiştirilmemiş, orijinal fiş ve uygun prizler elektrik çarpması tehlikesini azaltır.
- Borular, kalorifer tesisatı, ısıtıcılar ve buzdolapları gibi topraklanmış yüzeylerle bedensel temasa geçmekten kaçının.** Eğer bedeniniz topraklanacak olursa yüksek bir elektrik çarpması tehlikesi ortaya çıkar.
- Aleti yağmur ve nemden koruyun.** Elektrikli el aletinin içine suyun sızması elektrik çarpması tehlikesini yükseltir.
- Kabloyu kendi amacı dışında kullanmayın; örneğin aleti kablodan tutarak taşımayın, aleti kablo ile asmayın veya kablodan çekerek fişi prizden çıkarmayın.** Kabloyu aşırı ısıktan, yağlardan, keskin kenarlı cisimlerden veya aletin hareketli parçalarından uzak tutun. Hasarlı veya dolaşmış kablo elektrik çarpması tehlikesini yükseltir.
- Elektrikli el aletiyle açık havada çalışırken mutlaka açık havada kullanılmaya uygun uzatma kablosu kullanın.** Açık havada kullanılmaya uygun uzatma kablosunun kullanılması elektrik çarpması tehlikesini azaltır.
- Elektrikli el aletinin nemli ortamlarda çalıştırılması şartsa, mutlaka kaçak akım cihazı (RCD) kullanın.** RCD kullanımı elektrik çarpması tehlikesini azaltır.

3) KİŞİLERİN GÜVENLİĞİ

- Dikkatli olun, ne yaptığınıza dikkat edin ve elektrikli el aletiyle çalışırken makul hareket edin.** Yorgunsanız, ilaç kullanıyorsanız veya uyuşturucu madde ya da alkol etkisi altındaysanız aleti kullanmayın. Aleti kullanırken bir anlık dikkatsizliğiniz ciddi yaralanmalara yol açabilir.
- Daima kişisel korunma donanımları ve bir koruyucu**

gözlük kullanın. Elektrikli el aletinin türü ve kullanımına uygun olarak kullanacağınız toz maskesi, kaymayan sağlam iş ayakkabıları, koruyucu kask veya koruyucu kulaklık gibi kişisel korunma donanımlarını kullanmanız yaralanma tehlikesini büyük ölçüde azaltır.

- Aleti yanlışlıkla çalıştırmaktan kaçının. Akım ikmal şebekesine ve/veya aküye bağlamadan, elinize alıp taşımadan önce elektrikli el aletinin kapalı olduğunu olduğundan emin olun.** Elektrikli el aletini parmağınız şalter üzerinde dururken taşırsanız ve alet açıkken fişi prize sokarsanız kazalara neden olabilirsiniz.
 - Aleti çalıştırmadan önce ayar aletlerini veya tornavidaları aletten uzaklaştırın.** Dönen alet parçasına temas halinde bulunan bir uç veya anahtar yaralanmalara neden olabilir.
 - Kendinize çok fazla güvenmeyin. Duruşunuzun güvenli olmasına dikkat edin ve daima dengeyi koruyun.** Bu sayede aleti beklenmedik durumlarda daha iyi kontrol edersiniz.
 - Uygun iş elbiseleri giyin. Geniş giysiler giymeyin ve takı takmayın. Saçlarınızı ve giysilerinizi aletin hareketli parçalarından uzak tutun.** Bol giysiler, takılar veya uzun saçlar aletin hareketli parçaları tarafından tutulabilir.
 - Aletinize toz emme donanımı ve toz tutma donanımı takılabiliyorsa, bunların bağlı olup olmadığını ve doğru işlev görüp görmediklerini kontrol edin.** Toz emme donanımının kullanımı tozdan kaynaklanabilecek tehlikeleri azaltır.
 - Aletleri sık kullanmanız sebebiyle kazandığınız alışkanlıklar, güvenlik prensiplerine uymazlığı önlememelidir.** Dikkatsiz bir hareket, bir anda ciddi yaralanmalara yol açabilir.
- ### 4) ELEKTRİKLİ EL ALETLERİYLE DİKKATLİ ÇALIŞMAK VE ALETİ DOĞRU KULLANMAK
- Aleti aşırı ölçüde zorlamayın. İşinize uygun elektrikli el aletini kullanın.** Uygun elektrikli el aleti ile belirtilen performans alanında daha iyi ve daha güvenli çalışırsınız.
 - Açma/kapama şalteri arızalı olan elektrikli el aletini kullanmayın.** Açılıp kapanamayan bir elektrikli el aleti tehlikelidir ve onarılması gerekir.
 - Alette bir ayarlama işlemine başlamadan, herhangi bir aksesuarı değiştirirken veya aleti elinizden bırakırken fişi prizden çekin veya aküyü çıkarın.** Bu önem, elektrikli el aletinin yanlışlıkla çalışmasını önler.
 - Kullanım dışında iken elektrikli el aletinizi çocukların ulaşamayacağı bir yerde saklayın. Aleti kullanmayı bilmeyen veya bu güvenlik talimatını okumayan kişilerin aleti kullanmasına izin vermeyin.** Deneyimsiz kişiler tarafından kullanıldıkları takdirde elektrikli el aletleri tehlikeli olabilirler.
 - Elektrikli el aletinin ve aksesuarların bakımını özenle yapın. Aletin hareketli parçalarının kusursuz işlev görüp görmediklerini ve sıkışmadıklarını, parçalarını kırık veya hasarlı olup olmadıklarını kontrol edin, aksi takdirde alet işlevini tam olarak yerine getiremez. Aleti kullanmadan önce hasarlı parçaları onartın.** Birçok iş kazası aletlerin kötü ve yetersiz bakımından kaynaklanır.
 - Kesici uçları keskin ve temiz tutun.** İyi bakım görmüş kesici uçlar daha ender sıkışır ve daha iyi yönlendirilirler.
 - Elektrikli el aletlerini, aksesuarı, uçları ve**

benzerlerini bu güvenlik talimatına uygun olarak kullanın. Aleti kullanırken çalışma koşullarını ve yaptığınız işi daima dikkate alın. Elektrikli el aletlerini kendileri için öngörülen işlerin dışında kullanmak tehlikeli durumların ortaya çıkmasına neden olabilir.

- h) **Tutamak ve kavrama yüzeylerini kuru, yağsız ve temiz tutun.** Kaygan tutamak ve kavrama yüzeyleri, aletin beklenmeyen durumlarda güvenli şekilde tutulmasını ve kontrol edilmesini engeller.

5) SERVİS

- a) **Aleti sadece uzman bir elemana ve orijinal yedek parçalar kullanılarak onartın.** Böylelikle aletin güvenliğini korumuş olursunuz.

ZIMPARALAR İÇİN GÜVENLİK TALİMATI

GENEL

- Bu alet 16 yaşın altındaki kişiler tarafından kullanılmamalıdır
- Bu alet sulu zımparalama işlerine uygun değildir
- Aleti asla kablo hasarlıyken kullanmayın; kablounun yetkili servis tarafından özel olarak hazırlanmış bir kablo ile değiştirilmesi gerekir.
- **Bu aletle asbest içeren malzemeleri işlemeyin** (asbest kanserojen bir madde kabul edilir)
- **İsteddiğiniz ayar değişikliklerini ve aksesuar değişikliklerini yapmadan önce mutlaka şebeke fişini prizden çekin**

AKSESUARLAR

- SKIL sadece orijinal aksesuarlar kullanıldığında aletin düzgün çalışmasını garanti eder
- Aşınmış, yırtılmış veya gözenekleri aşırı ölçüde dolmuş zımpara kağıtlarını kullanmayın

KULLANMADAN ÖNCE

- Güç geriliminin, aletin özellik plakasında belirtilen voltaj değerleri aynı olduğunu sık sık kontrol edin
- İş parçasının vida, çivi ve benzeri malzeme tarafından hasar görmemesi için dikkatli olun; çalışmaya başlamadan önce bunları çıkartın
- Tamamen kusursuz ve güvenli 16 Amp uzatma kabloları kullanın
- Cihaz çalışırken gürültü seviyesi 85 dB(A) desibele kadar çıkabilir; kulak koruyucu kullanın
- Kurşun içeren boya, bazı ahşap türleri, mineral ve metal gibi malzemelerden çıkan toz zararlı olabilir (tozla temasta bulunulması veya solunması operatörde veya yakında bulunan kişilerde alerjik reaksiyonlara ve/veya solunum yolu hastalıklarına neden olabilir); **toz maskesi takın ve toz ekstraksiyon cihazıyla çalışın (bağlanabiliyorsa)**
- Bazı toz tipleri (örneğin meşe ve kayın ağacı tozu), bilhassa ahşap yenileme katkı maddeleriyle birlikte, kansinojenik olarak sınıflandırılır; **toz maskesi takın ve toz ekstraksiyon cihazı ile çalışın (bağlanabiliyorsa)**
- Çalışmak istediğiniz malzemelerin, toz ile ilgili ulusal taleplerini takip edin
- Koruyucu iş eldivenleri giyin, koruyucu gözlük, dar giysiler ve saç koruyucu (saçlarınıza uzunsa)
- Metalleri zımparalarken kıvılcımlar oluşur; toz torbası kullanmayın ve diğer çalışanları ve yanıcı malzemeleri çalışma alanınızdan uzak tutun
- **Çalıştığınız parçayı sabitleyin** (kıskaçlarla ya da mengeneye sabitlenmiş bir iş parçası elle tutulan işten daha güvenlidir)

KULLANIM SIRASINDA

- Kabloyu her zaman aletin hareketli parçalarından uzak tutun; kabloyu arka tarafta araçtan uzakta bulundurun
- Hareket halindeki zımpara kağıdına dokunmayın
- Elektriksel veya mekaniksel hatalı çalışmada aleti hemen kapatın ve fişi çekin
- Eğer cihazı kullanırken kordon hasar görür ya da kesilirse, kordona kesinlikle dokunmayın ve derhal fişi çekin

KULLANIMDAN SONRA

- Aletinizi bırakıp gitmeden önce mutlaka kapatın ve döner parçaların tam olarak durmasını bekleyin

ALET ÜZERİNDEKİ SİMGELERİN AÇIKLAMASI

- ③ Kullanmadan önce kılavuzu okuyun
- ④ Çift yalıtım (topraklama kablosu gerekli değildir)
- ⑤ Aleti evdeki çöp kutusuna atmayın

KULLANIM

- Zımpara kağıdı tespiti ⑥
- ! **şebeke fişini çekin**
- ! **toz emdirme için delikli zımpara kağıtlarına ihtiyacınız vardır**
- ! **zımpara kağıdının delikleri zımpara levhasının deliklerine uymalıdır**
- ! **aşınmış zımpara kağıtlarını zamanında yenileyin**
- ! **aletin daima tüm zımparalama yüzeyini zımpara kağıdı ile kaplayarak kullanın**
- VELCRO zımpara kağıdını gösterilen şekilde takın
- Toz emme
- ! **metalleri zımparalarken toz torbası/elektrik süpürgesini kullanmayın**
- Toz torbası ⑦
- toz torbasının A düzenli olarak temizlenmesi toz tutma kapasitesini optimal düzeye tutar
- toz kutusunu A A geri çekerek çıkarın
- Elektrik süpürgesi kullanırken
- süpürge bağlantısı D gösterilen şekilde takın ⑧a
- elektrikli süpürge hortumunu elektrikli süpürge adaptörüne bağlayın D ⑧b
- Açma/kapama şalteri
- aleti, düşmesini içeride/dışarıda konumuna getirerek açıp kapatın
- ! **aletin zımparalama yüzeyi iş parçasına temas etmeden önce aletin çalıştırılması gerekir**
- ! **aleti kapatmadan önce iş parçası üzerinden kaldırın**
- Aletin tutulması ve kullanılması ⑨
- ! **çalışma esnasında, aleti daima gri renkli bölge(ler) den tutun**
- aleti, işlediğiniz yüzeye paralel olarak tutun
- ! **alet üzerinde fazla baskı uygulamayın; bırakın aletin zımparalama yüzeyi sizin için çalışsın**
- aletin yüzeye olan paralellliğini bozmayın, aksi takdirde işlenen yüzeyde istenmeyen zımpara izleri oluşur
- havalandırma yuvalarını C ② açık tutun

UYGULAMA ÖNERİLERİ

- Geniş yüzeyleri, köşeleri ve kenarları zımparalamak için bu aleti kullanın ⑩
- Aleti malzeme elyafı yönünde düz olarak hareket ettirerek
- ham tahtaların üst yüzeylerini düzeltebilirsiniz
- en ince perdahı yapabilirsiniz

- Aynı zımpara kağıdı ile hiçbir zaman hem tahta, hem de metalleri zımparalamayın
- Önerilen zımpara kağıdı kum kalınlıkları:
 - boya çıkarmak ve son derece pürüzlü odunları zımparalamak için kalın boyda kum (40, 60) kullanın
 - pürüzlü ve düz odunları zımparalamak için orta boy kum (80, 100, 120) kullanın
 - odun ve yüzeyleri eski bir boya ile düzeltmek ve çıplak odunları cilalamak için ince boy kum (180, 240, 320) kullanın
- İşlediğiniz yüzey ham ise çeşitli kum büyüklüğündeki zımpara kağıtları kullanın:
 - başlangıçta iri veya orta kum büyüklüğündeki zımpara kağıtları ile çalışın
 - işin sonunda ince kum kalınlığındaki zımpara kağıtları kullanın
- Daha fazla bilgi için www.skil.com adresine bakın

BAKIM / SERVİS

- Bu alet profesyonel kullanıma yönelik değildir
- Aleti ve kablosunu daima temiz tutun (özellikle havalandırma yuvalarını C ②)
- yapışan zımpara tozunu bir fırça ile temizleyin
- ! **temizlemeden önce, cihazın fişini prizden çekin**
- Dikkatli biçimde yürütülen üretim ve test yöntemlerine rağmen alet arıza yapacak olursa, onarım SKIL elektrikli aletleri için yetkili bir serviste yapılmalıdır
- aleti **ambalajıyla** birlikte satın alma belgenizi de ekleyerek satıcınıza veya en yakın SKIL servisine ulaştırın (adresler ve aletin servis şemaları www.skil.com adresinde listelenmiştir)
- Aşırı yüklenme ve yanlış kullanımın aleti garanti kapsamından çıkaracağını unutmayın (SKIL garanti koşulları için www.skil.com adresine bakın veya satıcınıza başvurun)

ÇEVRE

- **Elektrikli aletlerini, aksesuarları ve ambalajları evdeki çöp kutusuna atmayın** (sadece AB ülkeleri için)
 - kullanılmış elektrikli aletleri, elektrik ve elektronik eski cihazlar hakkındaki 2012/19/EC Avrupa yönergelerine göre ve bu yönergeler ulusal hukuk kurallarına göre uyarlanarak, ayrı olarak toplanmalı ve çevre şartlarına uygun bir şekilde tekrar değerlendirmeye gönderilmelidir
 - sembol ⑤ size bunu anımsatmalıdır

GÜRÜLTÜ / TİTREŞİM

- EN 62841 uyarınca ölçülen bu aletin ses basıncı seviyesi 73,0 dB(A) ve ses gücü seviyesi 84,0 dB(A) (tolerans K = 3 dB), titreşimi ise 4,1 m/s² (triaks vektör toplamı; tolerans K = 1,5 m/s²)
- Titreşim emisyon seviyesi EN 62841'de sunulan standart teste göre ölçülmüştür; bu seviye, bir aleti bir başkasıyla karşılaştırmak amacıyla ve aletin söz konusu uygulamalarda kullanılması sırasında titreşime maruz kalma derecesinin ön değerlendirmesi olarak kullanılabilir
- aletin farklı uygulamalar için veya farklı ya da bakımı yetersiz yapılmış aksesuarlarla kullanılması, maruz kalma seviyesini belirgin biçimde **arttırabilir**

- aletin kapalı olduğu veya çalıştığı ancak gerçek anlamda iş yapmadığı zamanlarda, maruz kalma seviyesi belirgin biçimde **azalabilir**
- ! **aletin ve aksesuarlarının bakımını yaparak, ellerinizi sıcak tutarak ve iş modellerinizi düzenleyerek kendinizi titreşimin etkilerinden koruyun**

PL

Szlifierka wielofunkcyjna

7260

WSTĘP

- Niniejsze narzędzie przeznaczone jest do szlifowania na sucho i obróbki końcowej drewna, powierzchni malowanych, plastiku i kitu
- Narzędzie nie jest przeznaczone do zastosowań profesjonalnych
- Przeczytać i zachować niniejszą instrukcję obsługi ③

DANE TECHNICZNE ①

ELEMENTY NARZĘDZIA ②

- A Odpylnik
- B Włócznik/wyłócznik
- C Szczeliny wentylacyjne
- D Adapter odsysacza trocin*

* NIEDOSTĘPNA W STANDARDZIE

BEZPIECZEŃSTWO

OGÓLNE OSTRZEŻENIA DOTYCZĄCE BEZPIECZEŃSTWA UŻYTKOWANIA ELEKTRONARZĘDZIA

⚠ OSTRZEŻENIE Należy przeczytać wszystkie ostrzeżenia dotyczące bezpieczeństwa, instrukcje, ilustracje i dane techniczne dostarczone z tym elektronarzędziem. Nieprzestrzeganie wszystkich poniższych instrukcji może skutkować porażeniem prądem, pożarem i/lub poważnym obrażeniem ciała.

Wszystkie ostrzeżenia i wskazówki należy zachować do dalszego zastosowania.

Użyte w poniższym tekście pojęcie "elektronarzędzie" odnosi się do elektronarzędzi zasilanych energią elektryczną z sieci (z przewodem zasilającym) i do elektronarzędzi zasilanych akumulatorami (bez przewodu zasilającego).

1) BEZPIECZEŃSTWO MIEJSCA PRACY

- a) **Miejsce pracy należy utrzymywać w czystości i dobrze oświetlone.** Nieporządek lub nie oświetlone miejsce pracy mogą doprowadzić do wypadków.
- b) **Nie należy pracować tym narzędziem w otoczeniu zagrożonym wybuchem, w którym znajdują się np. łatwopalne ciecz, gaz lub pył.** Elektronarzędzia wytwarzają iskry, które mogą podpalić ten pył lub parę.

- c) **Elektronarzędzie trzymać podczas pracy z daleka od dzieci i innych osób.** Przy nieuwadze można stracić kontrolę nad narzędziem.
- 2) **BEZPIECZEŃSTWO ELEKTRYCZNE**
- a) **Wtyczka urządzenia musi pasować do gniazda. Nie wolno modyfikować wtyczki w jakikolwiek sposób. Nie należy używać wtyczek adapterowych razem z uziemionymi narzędziami.** Nieziemione wtyczki i pasujące gniazda zmniejszają ryzyko porażenia prądem.
- b) **Należy unikać kontaktu z uziemionymi powierzchniami jak rury, grzejniki, piece i lodówki.** Istnieje zwiększone ryzyko porażenia prądem, gdy Państwa ciało jest uziemione.
- c) **Urządzenie należy przechowywać zabezpieczone przed deszczem i wilgocią.** Wniknięcie wody do elektronarzędzia podwyższa ryzyko porażenia prądem.
- d) **Nigdy nie należy używać kabla do innych czynności. Nigdy nie używać kabla do noszenia urządzenia za kabel, zawieszenia lub do wyciągania wtyczki z gniazda.** Kabel należy trzymać z daleka od wysokich temperatur, oleju, ostrych krawędzi lub ruchomych części urządzenia. Uszkodzone lub poplątane kable zwiększają ryzyko porażenia prądem.
- e) **W przypadku, kiedy elektronarzędziem pracuje się na świeżym powietrzu należy używać kabla przedłużającego, który dopuszczony jest do używania na zewnątrz.** Użycie dopuszczonego do używania na zewnątrz kabla przedłużającego zmniejsza ryzyko porażenia prądem.
- f) **Jeżeli nie da się uniknąć zastosowania elektronarzędzia w wilgotnym otoczeniu, należy użyć wyłącznika ochronnego różnicowo-prądowego.** Zastosowanie wyłącznika ochronnego różnicowo-prądowego zmniejsza ryzyko porażenia prądem.
- 3) **BEZPIECZEŃSTWO OSÓB**
- a) **Należy być uważnym, uważać na to co się robi i pracę elektronarzędziem rozpoczynać z rozsądkiem. Nie należy używać urządzenia gdy jest się zmęczonym lub pod wpływem narkotyków, alkoholu lub lekarstw.** Moment nieuwagi przy użyciu urządzenia może doprowadzić do poważnych urażeń ciała.
- b) **Należy nosić osobiste wyposażenie ochronne i zawsze okulary ochronne.** Noszenie osobistego wyposażenia ochronnego jak maska przeciwpyłowa, nie ślizgające się buty robocze, hełm ochronny lub ochrona słuchu, w zależności od rodzaju i zastosowania elektronarzędzia zmniejsza ryzyko obrażeń ciała.
- c) **Należy unikać niezamierzonego uruchomienia narzędzia. Przed włożeniem wtyczki do gniazdka i/ lub podłączeniem do akumulatora, a także przed podniesieniem lub przeniesieniem elektronarzędzia, należy upewnić się, że elektronarzędzie jest wyłączone.** Trzymanie palca na wyłączniku podczas przenoszenia elektronarzędzia lub podłączenie do prądu włączonego narzędzia, może stać się przyczyną wypadków.
- d) **Zanim urządzenie zostanie włączone należy usunąć narzędzia nastawcze lub klucze.** Narzędzie lub klucz, które znajdują się w ruchomych częściach urządzenia mogą doprowadzić do obrażeń ciała.
- e) **Nie należy przeceniać swoich możliwości. Należy dbać o bezpieczną pozycję pracy i zawsze utrzymywać równowagę.** Przez to możliwa jest lepsza kontrola urządzenia w nieprzewidzianych sytuacjach.
- f) **Należy nosić odpowiednie ubranie. Nie należy nosić luźnego ubrania lub biżuterii. Włosy i ubranie należy trzymać z daleka od ruchomych elementów.** Luźne ubranie, biżuteria lub długie włosy mogą zostać pociągnięte przez poruszające się części.
- g) **W przypadku, kiedy możliwe jest zamontowanie urządzeń odsysających lub podchwytyjących należy upewnić się, czy są one właściwie podłączone i prawidłowo użyte.** Użycie urządzenia odsysającego pył może zmniejszyć zagrożenie pyłami.
- h) **Nie wolno pozwolić, aby rutyna nabyta w wyniku wielokrotnego użycia elektronarzędzia, zastąpiła ściśle przestrzeganie zasad bezpieczeństwa.** Niedbale obsługiwane elektronarzędzie może w ułamku sekundy wyrządzić istotne szkody lub spowodować ciężkie obrażenia.
- 4) **UWAŻNE OBCOWANIE ORAZ UŻYCIE ELEKTRONARZĘDZIA**
- a) **Nie należy przeciążać urządzenia. Do pracy używać należy elektronarzędzia, które jest do tego przewidziane.** Odpowiednim narzędziem pracuje się lepiej i bezpieczniej w podanym zakresie sprawności.
- b) **Nie należy używać elektronarzędzia, którego wyłącznik/wyłącznik jest uszkodzony.** Elektronarzędzie, którego nie można włączyć lub wyłączyć jest niebezpieczne i musi zostać naprawione.
- c) **Przed rozpoczęciem jakichkolwiek prac nastawczych, przed wymianą osprzętu lub przed odłożeniem elektronarzędzia należy wyjąć wtyczkę z gniazda sieciowego i/ lub usunąć akumulator.** Ten środek ostrożności zapobiega niezamierzonemu włączeniu się urządzenia.
- d) **Nie używane elektronarzędzia należy przechowywać poza zasięgiem dzieci. Nie należy udostępniać narzędzia osobom, które jego nie umieją lub nie przeczytały tych przepisów.** Używane przez niedoświadczone osoby elektronarzędzia są niebezpieczne.
- e) **Elektronarzędzia i osprzęt należy utrzymywać w nienagannym stanie technicznym. Należy kontrolować, czy ruchome części urządzenia funkcjonują bez zarzutu i nie są zablokowane, czy części nie są pęknięte lub uszkodzone, co mogłoby mieć wpływ na prawidłowe funkcjonowanie urządzenia. Uszkodzone narzędzie należy przed użyciem urządzenia oddać do naprawy.** Wiele wypadków spowodowanych jest przez niewłaściwą konserwację elektronarzędzi.
- f) **Osprzęt tnący należy utrzymywać ostry i czysty.** Starannie pielęgnowany osprzęt tnący z ostrymi krawędziami tnącymi blokuje się rzadziej i łatwiej się używa.
- g) **Elektronarzędzia, osprzęt, narzędzia itd. należy używać odpowiednio do tych przepisów. Uwzględnić należy przy tym warunki pracy i czynność do wykonania.** Użycie elektronarzędzi do innych niż przewidziane prace może doprowadzić do niebezpiecznych sytuacji.
- h) **Uchwyty i powierzchnie chwytowe powinny być zawsze suche, czyste, niezabrudzone olejem ani smarem.** Śliskie uchwyty i powierzchnie chwytowe nie

pozwalają na bezpieczne trzymanie narzędzia i kontrolę nad nim w nieoczekiwanych sytuacjach.

5) SERWIS

- a) **Naprawę urządzenia należy zlecić jedynie kwalifikowanemu fachowcowi i przy użyciu oryginalnych części zamiennych.** To gwarantuje, że bezpieczeństwo użytkownika zostanie zachowane.

PRZEPISY BEZPIECZEŃSTWA SZLIFIEREK

OGÓLNE

- Narzędzie nie powinny używać dzieci poniżej 16 roku życia
- Elektronarzędzie nie jest przystosowane do szlifowania na mokro
- Nigdy nie używać narzędzia, gdy przewód jest uszkodzony; musi on zostać wymieniony na przewód specjalny dostępny w sieci serwisowej.
- Nie należy obrabiać materiału zawierającego azbest** (azbest jest rakotwórczy)
- Przed przystąpieniem do wykonywania jakichkolwiek czynności przy narzędziu, w czasie przerwy w pracy jak również po jej zakończeniu wyjąć wtyczkę z gniazda sieciowego**

AKCESORIA

- SKIL może zagwarantować bezawaryjne działanie narzędzia tylko przy korzystaniu z oryginalnego wyposażenia dodatkowego
- Nie należy korzystać ze zużytychł podartych albo mocno zapchanych papierów ściernych

PRZED UŻYCIEM

- Każdorazowo należy sprawdzać, czy napięcie zasilania jest zgodne z napięciem podanym na tabliczce znamionowej urządzenia
- Uwaga na gwoździe, śruby i inne twarde przedmioty; przed przystąpieniem do obróbki powinny być usunięte z obrabianego przedmiotu; usunąć je przed rozpoczęciem pracy
- W przypadku korzystania z kabla przedłużającego należy zwrócić uwagę, aby był maksymalnie nawinięty na bęben oraz był przystosowany do przewodzenia prądu o natężeniu przynajmniej 16 A
- Poziom hałasu podczas pracy może przekraczać 85 dB(A); używać nauszники do ochrony słuchu
- Pył pochodzący z takich materiałów, jak farby zawierające ołów, niektóre gatunki drzewa, minerały i metal może być szkodliwy (kontakt z nim lub wdychanie takiego pyłu może powodować reakcje alergiczne i/lub niewydolność oddechową u operatora lub osób towarzyszących); **należy zakładać maskę przeciwpyłową i pracować z urządzeniem odsysającym, jeżeli można je podłączyć**
- Niektóre rodzaje pyłu są zaklasyfikowane jako rakotwórcze (takie, jak pył dębu i buka) szczególnie w połączeniu z dodatkami do kondycjonowania drewna; **należy zakładać maskę przeciwpyłową i pracować z urządzeniem odsysającym pył, jeżeli można je podłączyć**
- Należy stosować się do lokalnych wymogów dotyczących pracy w otoczeniu pyłu powstającego podczas obróbki materiału
- Do pracy należy nosić rękawice ochronne, okulary ochronne, dopasowane ubranie, oraz nakrycie głowy (w przypadku długich włosów)
- Przy szlifowaniu metalu występuje iskrzenie; nie wolno

wtedy odpylnika a z obszaru pracy należy usunąć wszelkie materiały palne i zabronić tam wstępu osobom trzecim

- Należy zabezpieczyć miejsce przeznaczone do zszycia** (miejsce przeznaczone do zszycia umieszczone w zaciskach lub imadle jest utrzymywane w miejscu bezpieczniejszej niż w ręku)

PODCZAS UŻYWANIA

- Kabel zasilający powinien stale znajdować się w bezpiecznej odległości od wirującej części elektronarzędzia; kabel zasilający zawsze prowadzić z tyłu elektronarzędzia
- Nie wolno dotykać poruszającego się papieru ściernego
- W przypadku wadliwego działania mechanicznych lub elektrycznych elementów urządzenia, należy bezwzględnie odłączyć narzędzie i wyjąć wtyczkę
- W przypadku uszkodzenia lub przecięcia przewodu podczas pracy, nie wolno go dotykać, tylko należy natychmiast wyciągnąć z gniazda wtyczkę

PO UŻYCIU

- Przed pozostawieniem elektronarzędzia należy odłączyć zasilanie elektryczne i odczekać do całkowitego zatrzymania się wrzeciona

OBJAŚNIENIE SYMBOLI NA NARZĘDZIU

- ③ Przed użyciem przeczytaj instrukcję obsługi
- ④ Podwójna izolacja (brak uzziemienia)
- ⑤ Nie wyrzucaj narzędzie wraz z odpadami z gospodarstwa domowego

UŻYTKOWANIE

- Mocowanie papieru ściernego ⑥
! wyjąć wtyk z gniazda sieciowego
! w przypadku wykorzystywania odsysania mocowane papiery ściernie powinny posiadać otwory
! rozmieszczenie otworów w papierze powinno być zgodne z położeniem odpowiednich otworów w płycie szlifierskiej elektronarzędzia
! zużyte papiery ściernie natychmiast wymienić podczas korzystania z elektronarzędzia całą jego powierzchnia szlifierską musi być pokryta papierem ściernym
- założyć papier ścierny VELCRO ("narzępę"), jak pokazano
- Odsysanie pyłu
! nie używać odpylnika/odkurzacza przy szlifowaniu metalu
Odpylnik ⑦
- w celu zapewnienia optymalnego odpylenia należy regularnie opróżniać odpylnika A
- wyjąć odpylnik A, pociągając odpylnik A do tyłu
W celu stosowania odkurzacza zewnętrznego
- zamontować adapter D według rysunku ⑧a
- podłączyć rurę odsysacza trocin do adaptera odsysacza trocin D ⑧b
- Włącznik/wyłącznik
- uruchomić/wyłączyć elektronarzędzie, naciskając/zwalniając włącznik/wyłącznik
! przed przystawieniem taśmy ścierniej do powierzchni obrabianego przedmiotu należy uprzednio uruchomić elektronarzędzie
! przed wyłączeniem narzędzia należy unieść je ponad obrabiany przedmiot

- Utrzymywanie i prowadzenie narzędzia ⑨
 - ! **podczas pracy zawsze trzymać narzędzie za uchwyt(y) ograniczone szarym kolorem**
 - elektronarzędzie prowadzić równoległe do powierzchni obrabianego przedmiotu
 - ! **nie wywierać zbyt dużego nacisku na elektronarzędzie; pozwólmy maszynie pracować za nas**
 - nie należy przechylać elektronarzędzia dzięki czemu unikniemy wyszlifowywania niepożądanych zagłębień
 - szczeliny wentylacyjne C ② powinny być odkryte

WSKAZÓWKI UŻYTKOWANIA

- Narzędzia używać do szlifowania większych powierzchni, narożników i krawędzi ⑩
- Elektronarzędzie po powierzchni prowadzić prostoliniowo, wzdłuż stojów
 - przy oszlifowywaniu surowej powierzchni drewnianej
 - przy ekstra dokładnym szlifowaniu wykańczającym
- Nie należy nigdy korzystać z tego samego papieru do szlifowania drewna i metalu
- Zalecane granulacje papierów:
 - do usuwania farb i szlifowania skrajnie nieobrobionych drewnianych powierzchni surowych należy stosować grube granulacje (40, 60)
 - do szlifowania nieobrobionych powierzchni drewnianych należy stosować średnie granulacje (80, 100, 120)
 - do wygładzania powierzchni drewnianych oraz pokrytych starą powłoką malarską, a także do oszlifowywania drewna nieobrobionego należy stosować drobne granulacje (180, 240, 320)
- W przypadku obróbki powierzchni surowej należy stosować różne granulacje papierów:
 - należy rozpoczynać od granulacji grubej lub średniej
 - zakończyć obróbkę stosując papiery o granulacji drobnej
- Więcej informacji można znaleźć pod adresem www.skil.com

KONSERWACJA / SERWIS

- Narzędzie nie jest przeznaczone do zastosowań profesjonalnych
- Zawsze dbać o czystość narzędzia i przewodu zasilającego (a szczególnie otworów wentylacyjnych C ②)
 - usunąć nagromadzony pył posugując się szczotką
 - ! **przed przystąpieniem do czyszczenia należy wyjąć wtyk z gniazda sieciowego**
- Jeśli narzędzie, mimo dokładnej i wszechstronnej kontroli produkcyjnej ulegnie kiedykolwiek awarii, naprawę powinien przeprowadzić autoryzowany serwis elektronarzędzi firmy SKIL
 - odesłać **nierozebrany** narzędzie, wraz z dowodem zakupu, do dealera lub do najbliższego punktu usługowego SKIL (adresy oraz diagram serwisowy narzędzenia znajdują się na stronach www.skil.com)
- Prosimy pamiętać, że uszkodzenia spowodowane przeciążeniem lub niewłaściwym użytkowaniem narzędzia nie podlegają gwarancji (warunki gwarancji SKIL znajdują się na www.skil.com lub pytać swojego dealera)

ŚRODOWISKO

- **Nie wyrzucaj elektronarzędzi, akcesoriów i opakowania wraz z odpadami z gospodarstwa domowego** (dotyczy tylko państw UE)
 - zgodnie z Europejską Dyrektywą 2012/19/WE w sprawie zużytego sprzętu elektrotechnicznego i elektronicznego oraz dostosowaniem jej do prawa krajowego, zużyte elektronarzędzia należy posegregować i zutylizować w sposób przyjazny dla środowiska
 - w przypadku potrzeby pozbycia się narzędzia, akcesoriów i opakowania - symbol ⑤ przypomni Ci o tym

HAŁASU / WIBRACJE

- Poziom ciśnienia akustycznego mierzonego zgodnie z normą EN 62841 wynosi 73,0 dB(A), a poziom mocy akustycznej wynosi 84,0 dB(A) (odchylenie K = 3 dB) 4,1 m/s² (trójosiowa suma wektorowa; odchylenie K = 1,5 m/s²)
- Poziom emisji wibracji został zmierzony zgodnie z testem standaryzowanym podanym w EN 62841; może służyć do porównania jednego narzędzia z innym i jako ocena wstępna narażenia na wibracje w trakcie używania narzędzia do wymienionych zadań
 - używanie narzędzia do innych zadań, lub z innymi albo źle utrzymanymi akcesoriami, może znacząco **zwiększyć** poziom narażenia
 - przypadki, kiedy narzędzie jest wyłączone lub jest czynne, ale aktualnie nie wykonuje zadania, mogą znacząco **zmniejszyć** poziom narażenia
 - ! **należy chronić się przed skutkami wibracji przez konserwację narzędzia i jego akcesoriów, zakładanie rękawic i właściwą organizację pracy**

RU

Многофункциональная шлифовальная машина 7260

В состав эксплуатационных документов, предусмотренных изготовителем для продукции, могут входить настоящее руководство по эксплуатации, а также приложения. Информация о подтверждении соответствия содержится в приложении.

Срок службы изделия

Срок службы изделия составляет 7 лет. Не рекомендуется к эксплуатации по истечении 5 лет хранения с даты изготовления без предварительной проверки (даты изготовления см. на этикетке).

Перечень критических отказов и ошибочные действия персонала или пользователя

- не использовать с поврежденной рукояткой или поврежденным защитным кожухом
- не использовать при появлении дыма непосредственно из корпуса изделия
- не использовать с перебитым или оголенным электрическим кабелем
- не использовать на открытом пространстве во время дождя (в распыляемой воде)

- не включать при попадании воды в корпус
- не использовать при сильном искрении
- не использовать при появлении сильной вибрации

Критерии предельных состояний

- перетёрт или повреждён электрический кабель
- повреждён корпус изделия

Тип и периодичность технического обслуживания

Рекомендуется очистить инструмент от пыли после каждого использования.

Хранение

- необходимо хранить в сухом месте
- необходимо хранить вдали от источников повышенных температур и воздействия солнечных лучей
- при хранении необходимо избегать резкого перепада температур
- хранение без упаковки не допускается
- подробные требования к условиям хранения смотрите в ГОСТ 15150 (Условие 1)

Транспортировка

- категорически не допускается падение и любые механические воздействия на упаковку при транспортировке
- при разгрузке/погрузке не допускается использование любого вида техники, работающей по принципу зажима упаковки
- подробные требования к условиям транспортировки смотрите в ГОСТ 15150 (Условие 5)

ВНИМАНИЕ!

В случае возникновения перебоя в работе электроинструмента вследствие полного или частичного прекращения энергоснабжения или повреждения цепи управления энергоснабжением установите выключатель в положение Выкл., убедившись, что он не заблокирован (при его наличии) и отключите сетевую вилку от розетки или отсоедините съёмный аккумулятор (этот предотвращается неконтролируемый повторный запуск)

ВВЕДЕНИЕ

- Этот инструмент предназначен для сухой шлифовки и окончательной обработки древесины, окрашенных поверхностей, пластмасс и наполнителей
- Данный инструмент не подходит для промышленного использования
- Прочитайте и сохраните с данной инструкцией ③

ТЕХНИЧЕСКИЕ ДАННЫЕ ①

СТРАНА ИЗГОТОВЛЕНИЯ

Сделано в Китае

ДЕТАЛИ ИНСТРУМЕНТА ②

- A** Пылеприёмник
- B** Выключатель вкл/выкл
- C** Вентиляционные отверстия

D Адаптер пылесоса*

* СТАНДАРТНО В КОМПЛЕКТ НЕ ВКЛЮЧАЕТСЯ

БЕЗОПАСНОСТЬ

ОБЩИЕ УКАЗАНИЯ ПО ТЕХНИКЕ БЕЗОПАСНОСТИ ОБ- РАЩЕНИЯ С ЭЛЕКТРОИНСТРУМЕНТАМИ

⚠ ВНИМАНИЕ! Следует ознакомиться со всеми правилами техники безопасности, инструкциями, иллюстрациями и техническими данными, содержащимися в прилагаемых к этому электроинструменту материалах. Несоблюдение нижеперечисленных инструкций в полном объеме может повлечь поражение электрическим током, пожар и/или серьезную травму.

Сохраняйте эти инструкции и указания для будущего использования.

Использованное в настоящих инструкциях и указаниях понятие “электроинструмент” распространяется на электроинструмент с питанием от сети (с кабелем питания от электросети) и на аккумуляторный электроинструмент (без кабеля питания от электросети).

1) БЕЗОПАСНОСТЬ РАБОЧЕГО МЕСТА

- Соблюдайте чистоту и поддерживайте надлежащую освещенность на рабочем месте.** Беспорядок на рабочем месте или его плохое освещение могут привести к несчастным случаям.
- Не используйте с электроинструментом во взрывоопасной среде, т.е. в непосредственной близости от легковоспламеняющихся жидкостей, газов или пыли.** В процессе работы электроинструмент искрит и искры могут воспламенить газы или пыль.
- При работе с электроинструментом не допускайте детей или посторонних на Ваше рабочее место.** Отвлечение Вашего внимания может привести к потере контроля над работой электроинструмента.

2) ЭЛЕКТРИЧЕСКАЯ БЕЗОПАСНОСТЬ

- Штепсельная вилка кабеля питания электроинструмента должна соответствовать розетке электросети. Не вносите никаких изменений в конструкцию вилки. Не используйте адаптеры для электроинструмента с защитным заземлением.** Заводские штепсельные вилки и соответствующие им сетевые розетки существенно снижают вероятность электрошока.
- Избегайте механических контактов с такими заземленными поверхностями, как трубопроводы, системы отопления, плиты и холодильники.** При соприкосновении человека с заземленными предметами во время работы инструментом вероятность электрошока существенно возрастает.
- Оберегайте электроинструмент от воздействия дождя и влаги.** Попадание воды в электроинструмент повышает вероятность электрического удара.

- d) **Используйте кабель строго по назначению. Не допускается тянуть и передвигать электроинструмент за кабель или использовать кабель для вытягивания вилки из розетки. Оберегайте кабель инструмента от воздействия высоких температур, масла, острых кромок или движущихся частей электроинструмента.** Поврежденный или спутанный кабель повышает возможность электрического удара.
- e) **При работе на улице используйте удлинитель, предназначенный для работы вне помещения.** Использование такого удлинителя снижает вероятность электрического удара.
- f) **Если невозможно избежать применения электроинструмента в сыром помещении, то устанавливайте устройство защиты от утечки в землю.** Использование устройства защиты от утечки в землю снижает риск электрического поражения.
- 3) ЛИЧНАЯ БЕЗОПАСНОСТЬ**
- a) **Будьте внимательны, следите за тем, что Вы делаете и выполняйте работу обдуманно. Не пользуйтесь электроинструментом, если Вы устали или находитесь под воздействием транквилизаторов, алкоголя или медицинских препаратов.** Секундная потеря концентрации в работе с электроинструментом может привести к серьезным травмам.
- b) **Используйте средства индивидуальной защиты. Защитные очки обязательны. Средства индивидуальной защиты, такие как противопылевой респиратор, нескользящая защитная обувь, шлем-каска, средства защиты органов слуха применяются в соответствующих условиях работы обстоятельствах и минимизируют возможность получения травм.**
- c) **Предотвращайте непреднамеренное включение электроинструмента. Перед подключением электроинструмента к электропитанию и/или к аккумулятору убедитесь в выключенном состоянии электроинструмента.** Если Вы при транспортировке электроинструмента держите палец на выключателе или включенный электроинструмент подключаете к сети питания, то это может привести к несчастному случаю.
- d) **Во избежание травм перед включением электроинструмента удалите регулировочный или гаечный ключ из вращающейся части электроинструмента.**
- e) **Не переоценивайте свои возможности. Твердо стойте на ногах и удерживайте равновесие.** В таком положении вы сможете лучше контролировать электроинструмент в неожиданных ситуациях.
- f) **Используйте подходящую рабочую одежду. Не надевайте свободную одежду и украшения. Держите волосы и одежду вдали от движущихся частей.** Свободная одежда, украшения или длинные волосы легко могут попасть в движущиеся части электроинструмента.
- g) **При наличии пылеотсасывающих и пылесборных приспособлений убедитесь в том, что они подсоединены и используются надлежащим образом.** Применение пылесоса может снизить опасности, создаваемые пылью.
- h) **Хорошее знание электроинструментов, полученное в результате частого их использования, не должно приводить к самоуверенности и игнорированию техник безопасности обращения с электроинструментами.** Одно небрежное действие за долю секунды может привести к серьезным травмам.
- 4) ЭКСПЛУАТАЦИЯ И УХОД ЗА ЭЛЕКТРОИНСТРУМЕНТОМ**
- a) **Не перегружайте электроинструмент. Используйте тот электроинструмент, который предназначен для данной работы.** С подходящим электроинструментом Вы выполните работу лучше и надежнее, используя весь диапазон его возможностей.
- b) **Не используйте электроинструмент с неисправным выключателем.** Инструмент с неисправным выключателем опасен и подлежит ремонту.
- c) **До начала наладки электроинструмента, замены принадлежностей или прекращения работы отключайте штепсельную вилку от розетки сети и/или выньте, если это возможно, аккумулятор.** Данная мера предосторожности предотвращает случайное включение электроинструмента.
- d) **Храните неиспользуемый электроинструмент в недоступном для детей месте и не позволяйте использовать его лицам, не умеющим с ним обращаться или не ознакомленным с инструкцией по эксплуатации.** Электроинструменты представляют собой опасность в руках неопытных пользователей.
- e) **Тщательно ухаживайте за электроинструментом и принадлежностями. Проверяйте безупречность функции подвижных частей, лёгкость их хода, целостность всех частей и отсутствие повреждений, которые могут негативно сказаться на работе инструмента. При обнаружении повреждений сдайте инструмент в ремонт.** Большое число несчастных случаев связано с неудовлетворительным уходом за электроинструментом.
- f) **Режущие части инструмента необходимо поддерживать в заточенном и чистом состоянии.** При надлежащем уходе за режущими принадлежностями с острыми кромками они реже заклиниваются и инструмент лучше поддается контролю.
- g) **Используйте электроинструмент, принадлежности, биты и т.д. в соответствии с данными инструкциями, исходя из особенностей условий и характера выполняемой работы.** Использование электроинструмента не по назначению может привести к опасным последствиям.
- h) **Держите ручки и поверхности захвата сухими и чистыми, следите чтобы на них чтобы на них не было жидкой или неконсистентной смазки.** Скользкие ручки и поверхности захвата препятствуют безопасному обращению с инструментом и не дают надежно контролировать его в непредвиденных ситуациях.

5) СЕРВИСНОЕ ОБСЛУЖИВАНИЕ

- a) **Передавайте электроинструмент на сервисное обслуживание только квалифицированному персоналу, использующему только подлинные запасные части.** Это обеспечит сохранение безопасности электроинструмента.

УКАЗАНИЯ ПО БЕЗОПАСНОСТИ ДЛЯ ШЛИФОВАЛЬНЫХ МАШИН

ОБЩЕЕ

- Инструмент нельзя использовать лицам в возрасте до 16 лет
- Данный инструмент не подходит для шлифования влажных поверхностей
- Никогда не пользуйтесь инструментом с поврежденным кабелем питания; его необходимо заменить специальным кабелем питания, обратившись в сервисную организацию.
- **Не обрабатывайте материалы с содержанием асбеста** (асбест считается канцерогеном)
- **Перед регулировкой или сменой принадлежности обязательно выньте вилку из сетевой розетки**

ПРИНАДЛЕЖНОСТИ

- SKIL обеспечивает надёжную работу инструмента только при использовании соответствующих приспособлений
- Не следует использовать изношенную, порванную или сильно загрязнённую шлифовальную ленту

ПЕРЕД ИСПОЛЬЗОВАНИЕМ

- Обязательно убедитесь, что напряжение питания соответствует напряжению, указанному на фирменном штепеле инструмента
- Избегайте повреждений, которые могут быть вызваны винтами, гвоздями и прочими элементами, находящимися в обрабатываемом предмете; перед началом работы их нужно удалить
- Используйте полностью размотанные и безопасные удлинители, рассчитанные на ток не менее 16 А
- Поскольку уровень шума при работе данного инструмента может превышать 80 дБ(А); всегда используйте защиту для ушей
- Пыль от таких материалов, как свинцовосодержащая краска, некоторые породы дерева, минералы и металл, может быть вредна (контакт с такой пылью или ее вдыхание может стать причиной возникновения у оператора или находящегося рядом лиц аллергических реакций и/или респираторных заболеваний); **надевайте респиратор и работайте с пылеудалющим устройством при включении инструмента**
- Некоторые виды пыли классифицируются как канцерогенные (например, дубовая или буковая пыль), особенно в сочетании с добавками для кондиционирования древесины; **надевайте респиратор и работайте с пылеудалющим устройством при включении инструмента**
- Следуйте принятым в вашей стране требованиям/ нормативам относительно пыли для тех материалов, с которыми вы собираетесь работать
- Необходимо носить защитные перчатки, защитные очки, плотно прилегающую одежду и защиту для волос (для длинных волос)
- При обработке металлической поверхности

наблюдается искрение; не следует использовать пылеприёмник, а также нельзя приёмник допускать в рабочую зону посторонних людей и воспламеняемые материалы

- **Закрепите обрабатываемую деталь** (обрабатываемая деталь, зафиксированная посредством зажимных устройств или тисков, закрепляется лучше, нежели при помощи рук)

ВО ВРЕМЯ ИСПОЛЬЗОВАНИЯ

- Следите за тем, чтобы сетевой шнур не находился рядом с движущимися деталями инструмента; нужно всегда направлять электрический шнур к задней части инструмента, исключая его захват инструментом
- Не следует прикасаться к движущейся шлифовальной ленте
- В случае любой электрической или механической неисправности немедленно выключите инструмент и выньте вилку из розетки
- При повреждении или разрезании сетевого шнура во время работы не прикасайтесь к нему, и немедленно выньте вилку из розетки

ПОСЛЕ ИСПОЛЬЗОВАНИЯ

- Перед тем как положить инструмент, выключите двигатель и убедитесь в том, что все движущиеся детали полностью остановились

ПОЯСНЕНИЕ К УСЛОВНЫМ ОБОЗНАЧЕНИЯМ НА ИНСТРУМЕНТЕ

- ③ Перед использованием ознакомьтесь с руководством по эксплуатации
- ④ Двойная изоляция (заземляющий провод не требуется)
- ⑤ Не выкидывайте инструмент вместе с бытовым мусором

ИСПОЛЬЗОВАНИЕ

- Установка шлифовочного листа ⑥
! разъединить штепсельный разъём системы отсасывания пыли требует использования перфорированных шлифовочных листов
! перфорация в шлифовочных листах должна соответствовать перфорации в основании шлифмашины
! меняйте стертые шлифовочные листы вовремя
! всегда используйте инструмент при условии, что шлифовочный лист покрывает всю шлифовочную поверхность инструмента
 - установите наждачный лист VELCRO как показано
- Отсасывание пыли
! не используйте пылеприёмник/пылесос при шлифовке металла
Пылеприёмник ⑦
 - опустошайте пылеприёмник А регулярно для обеспечения оптимального отсоса пыли
 - снимите пылеприёмник А, потянув его А назадДля использования пылесоса
 - установите адаптер для подсоединения пылесоса D как показано ⑧a
 - подсоедините шланг пылесоса к переходнику пылесоса D ⑧b
- Выключатель вкл/выкл
 - включите / выключите инструмент кнопкой

! инструмент следует включить до того момента, когда шлифовальная поверхность достигнет обрабатываемого изделия

! перед тем как выключить инструмент, его следует поднять над обрабатываемым изделием

- Удержание и направление инструмента ⑨

! во время работы, всегда держите инструмент за места правильного хвата, которые обозначены серым цветом

- вести инструмент параллельно рабочей поверхности

! не прикладывайте излишнего давления на инструмент; позволить шлифовальной поверхности работать за вас

- не наклоняйте инструмент во избежание появления нежелательных глубоких царапин
- содержите вентиляционные отверстия С ② не закрытыми

СОВЕТЫ ПО ИСПОЛЬЗОВАНИЮ

- Инструмент служит для шлифования больших поверхностей, углов и кромок ⑩
- Перемещайте инструмент прямыми движениями по линии рисунка
 - при шлифовке необработанной поверхности из дерева
 - для чистой отделки поверхности
- Никогда не следует использовать одни и те же шлифовальные листы для обработки металлической и деревянной поверхностей
- Рекомендуемая зернистость шлифовального листа:
 - для удаления краски и шлифовки полностью необработанной древесины используйте крупный размер зерна (40, 60)
 - для шлифовки необработанной и обработанной древесины используйте средний размер зерна (80, 100, 120)
 - для сглаживания древесины и поверхностей со старой краской, а также для финишной обработки неотделанной древесины используйте мелкий размер зерна (180, 240, 320)
- При обработке неровных поверхностей следует пользоваться шлифовальным листом разной зернистости:
 - начинать шлифование грубым или средним листом
 - отделять тонким листом
- Подробнее на сайте www.skil.com

ТЕХОБСЛУЖИВАНИЕ / СЕРВИС

- Данный инструмент не подходит для промышленного использования
- Всегда содержите инструмент и его шнур в чистоте (особенно вентиляционные отверстия С ②)
 - счищать прилипший материал обработки с инструмента с помощью щётки
- ! перед чисткой инструмента выньте вилку из розетки**

- Если инструмент, несмотря на тщательные методы изготовления и испытания, выйдет из строя, то ремонт следует производить силами авторизованной сервисной мастерской для электроинструментов фирмы SKIL

- отправьте **неразобранный** инструмент со свидетельством покупки Вашему дилеру или в ближайшую станцию обслуживания фирмы SKIL (адреса и схема обслуживания инструмента приведены в вебсайте www.skil.com)

- Примите к сведению, что повреждения вследствие перегрузки или ненадлежащего обращения с инструментом не будут включены в гарантию (условия гарантии SKIL см. на сайте www.skil.com или узнайте у дилера в Вашем регионе)

ОХРАНА ОКРУЖАЮЩЕЙ СРЕДЫ

- **Не выкидывайте электроинструмент, принадлежности и упаковку вместе с бытовым мусором** (только для стран ЕС)
 - во исполнение европейской директивы 2012/19/ЕС об утилизации отслужившего свой срок электрического и электронного оборудования и в соответствии с действующим законодательством, утилизация электроинструментов производится отдельно от других отходов на предприятиях, соответствующих условиям экологической безопасности
 - значок ⑤ напомним Вам об этом, когда появится необходимость сдать электроинструмент на утилизацию

ШУМ / ВИБРАЦИЯ

- Согласно измерениям в соответствии с EN 62841 уровень звукового давления этого инструмента составляет 73,0 дБ(А), уровень звуковой мощности — 84,0 дБ(А) (погрешность K = 3 дБ), а вибрация 4, 1 м/с² (векторная сумма по трем осям; погрешность K = 1,5 м/с²)
- Уровень вибрации был измерен в соответствии со стандартизированным испытанием, содержащимся в EN 62841; данная характеристика может использоваться для сравнения одного инструмента с другим, а также для предварительной оценки воздействия вибрации при использовании данного инструмента для указанных целей
 - при использовании инструмента в других целях или с другими/неисправными вспомогательными приспособлениями уровень воздействия вибрации может значительно **повышаться**
 - в периоды, когда инструмент отключен или функционирует без фактического выполнения работы, уровень воздействия вибрации может значительно **снижаться**
- ! защищайте себя от воздействия вибрации, поддерживая инструмент и его вспомогательные приспособления в исправном состоянии, поддерживая руки в тепле, а также правильно организуя свой рабочий процесс**

Універсальна шліфувальна машинка

7260

ВСТУП

- Цей інструмент призначений для сухого шліфування і обробки дерева, фарбованих поверхонь, пластиків і шпаклівок
- Цей інструмент не придатний для промислового використання
- Прочитайте і збережіть цю Інструкцію з експлуатації

③

ТЕХНІЧНІ ДАНІ ①

ЕЛЕМЕНТИ ІНСТРУМЕНТА ②

- A Пиловловлювач
- B Вимикач живлення
- C Вентиляційні отвори
- D Адаптер пилосоу*

* СТАНДАРТНО В КОМПЛЕКТ НЕ ВКЛЮЧАЄТЬСЯ

БЕЗПЕКА

ЗАГАЛЬНІ ВКАЗІВКИ З ТЕХНІКИ БЕЗПЕКИ ПОВОДЖЕННЯ З ЕЛЕКТРОІНСТРУМЕНТАМИ

⚠ ПОПЕРЕДЖЕННЯ Уважно вивчіть запобіжні заходи та ілюстрації, а також прочитайте вказівки та технічні умови, що входять в комплект поставки цього електроінструменту. Недотримання нижчеперелічених вказівок у повному обсязі може спричинити ураження електричним струмом, пожежу та / або серйозну травму.

Добре зберігайте на майбутнє ці попередження і вказівки.

Під поняттям "електроприлад" в цих попередженнях мається на увазі електроприлад, що працює від мережі (з електрокабелем) або від акумуляторної батареї (без електрокабелю).

1) БЕЗПЕКА НА РОБОЧОМУ МІСЦІ

- a) **Примайте своє робоче місце в чистоті та прибирайте його.** Безлад або погане освітлення на робочому місці можуть призводити до нещасних випадків.
- b) **Не працюйте з приладом у середовищі, де існує небезпека вибуху внаслідок присутності горючих рідин, газів або пилу.** Електроприлади можуть породжувати іскри, від яких може займатися пил або пари.
- c) **Під час працювання з приладом не підпускайте до робочого місця дітей та інших людей.** Ви можете втратити контроль над приладом, якщо Ваша увага буде відвернута.

2) ЕЛЕКТРИЧНА БЕЗПЕКА

- a) **Штепсель приладу повинен пасувати до розетки. Не дозволяється що-небудь міняти в штепселі.**

Для роботи з приладами, що мають захисне заземлення, не використовуйте адаптери.

Використання оригінального штепселя та належної розетки зменшує ризик удару електричним струмом.

- b) **Уникайте контакту частей тіла із заземленими поверхнями, як напр., трубами, батареями опалення, печами та холодильниками.** Коли Ваше тіло заземлене, існує збільшена небезпека удару електричним струмом.
- c) **Захищайте прилад від дощу та вологи.** Попадання води в електроінструмент збільшує ризик удару електричним струмом.
- d) **Не використовуйте кабель для перенесення приладу, підвішування або витягування штепселя з розетки. Захищайте кабель від жару, олії, гострих країв та деталей приладу, що рухаються.** Пошкодження або закручений кабель збільшує ризик удару електричним струмом.
- e) **Для зовнішніх робіт обов'язково використовуйте лише такий подовжувач, що допущений для зовнішніх робіт.** Використання подовжувача, що розрахований на зовнішні роботи, зменшує ризик удару електричним струмом.
- f) **Якщо не можна запобігти використанню електроприладу у вологому середовищі, використовуйте пристрій захисту від витоків в землю.** Використання зристою захисту від витоків в землю зменшує ризик удару електричним струмом.

3) БЕЗПЕКА ЛЮДЕЙ

- a) **Будьте уважними, слідкуйте за тим, що Ви робите, та розсудливо поведіться під час роботи з електроприладом. Не користуйтеся приладом, якщо Ви стомлені або знаходитесь під дією наркотиків, спиртних напоїв або лік.** Мить неуважності при користуванні приладом може призводити до серйозних травм.
- b) **Вдягайте особисте захисне спорядження та обов'язково вдягайте захисні окуляри.** Вдягання особистого захисного спорядження, як напр., - в залежності від виду робіт - захисної маски, спецвзуття, що не ковзається, наски або навушників, зменшує ризик травм.
- c) **Уникайте ненавмисного вмикання. Перш ніж вмикати електроприлад в електромережу або встромляти акумуляторну батарею, брати його в руки або переносити, впевніться в тому, що електроприлад вимкнений.** Тримання пальця на вимикачі під час перенесення електроприладу або встромляння в розетку увімкненого приладу може призводити до травм.
- d) **Перед тим, як вмикати прилад, приберіть налагоджувальні інструменти та гайковий ключ.** Знаходження налагоджувального інструмента або ключа в деталі, що обертається, може призводити до травм.
- e) **Не переоцінюйте себе. Зберігайте стійне положення та завжди зберігайте рівновагу.** Це дозволить Вам краще зберігати контроль над приладом у несподіваних ситуаціях.
- f) **Вдягайте придатний одяг. Не вдягайте просторий одяг та прикраси. Не підставляйте волосся й одяг до деталей, що рухаються.** Просторий одяга, прикраси та довге волосся можуть попадати в деталі,

- що рухаються.
- g) **Якщо існує можливість монтувати пиловідсмонтувальні або пилоуправляювальні пристрої, переконайтеся, щоб вони були добре під'єднані та правильно використовувалися.** Використання пиловідсмонтувального пристрою може зменшити небезпеки, зумовлені пилом.
- h) **Добре знання електроінструментів, отримане в результаті частого їх використання, не повинно призводити до самовпевненості і йгнорування принципів техніки безпеки.** Необережна дія може в одну мить призвести до важкої травми.
- 4) **ПРАВИЛЬНЕ ПОВОДЖЕННЯ ТА КОРИСТУВАННЯ ЕЛЕКТРОПРИЛАДАМИ**
- a) **Не перевантажуйте прилад. Використовуйте такий прилад, що спеціально призначений для певної роботи.** З придатним приладом Ви з меншим ризиком отримаєте кращі результати роботи, якщо будете працювати в зазначеному діапазоні потужності.
- b) **Не користуйтеся приладом з пошкодженим вимикачем.** Прилад, який не можна увімкнути або вимкнути, є небезпечним і його треба відремонтувати.
- c) **Перед тим, як регулювати що-небудь на приладі, міняти приладдя або ховати прилад, витягніть штепсель із розетки та/або витягніть акумуляторну батарею, якщо вона знімається.** Ці попереджувальні заходи з техніки безпеки зменшують ризик ненавмисного запуску приладу.
- d) **Зберігайте електроприлади, якими Ви саме не користуєтесь, далеко від дітей.** Не дозволяйте користуватися електроприладом особам, що не знайомі з його роботою або не читали ці вказівки. У разі застосування недосвідченими особами прилади несуть в собі небезпеку.
- e) **Старанно дглядайте за електроінструментами і приладдям.** Перевірте, щоб рухомі деталі приладу бездоганно працювали та не заїдали, не були поламаними або настільки пошкодженими, щоб це могло вплинути на функціонування приладу. Пошкоджені деталі треба відремонтувати в авторизованій майстерні, перш ніж ними можна знову користуватися. Велика кількість нещасних випадків спричиняється поганим доглядом за електроприладами.
- f) **Тримайте різальні інструменти добре нагостреними та в чистоті.** Старанно доглянуті різальні інструменти з гострим різальним краєм менше застряють та їх легше вести.
- g) **Використовуйте електроприлади, приладдя до них, робочі інструменти т.і. відповідно до цих вказівок.** Беріть до уваги при цьому умови роботи та специфіку виконуваної роботи. Використання електроприладів для роботи, для яких вони не передбачені, може призводити до небезпечних ситуацій.
- h) **Тримайте рукоятки і поверхні захвату сухими і чистими, слідкуйте, щоб на них не було оливи або густого мастила.** Слизькі рукоятки і поверхні захвату унеможливають безпечно поведіння з електроінструментом та його контролювання в неочікуваних ситуаціях.

5) СЕРВІС

- a) **Віддавайте свій прилад на ремонт лише кваліфікованим фахівцям та лише з використанням оригінальних запчастин.** Це забезпечить безпеку приладу на довгий час.

ПРАВИЛА ТЕХНІКИ БЕЗПЕКИ ДЛЯ ШЛІФУВАЛЬНОЇ МАШИНИ

ЗАГАЛЬНЕ

- Цей інструмент не можна використовувати особам віком до 16 років
- Цей інструмент не підходить для мокрої шліфовки
- Категорично забороняється користуватися інструментом при пошкодженні електричного шнура; заміна на аналогічний підготовлений шнур повинна проводитися організацією з обслуговування.
- **Не обробляйте матеріали, що містять асбест** (асбест вважається канцерогенним)
- **Перед регулюванням або заміною приладдя обов'язково вийміть вилку із сітьової розетки**

АКСЕСУАРИ

- SKIL гарантує надійну роботу інструмента тільки при використанні відповідного приладдя
- Не використовуйте зношені, порвані або засмічені наждачні листи

ПЕРЕД ВИКОРИСТАННЯМ

- Перед роботою перевірте відповідність струму в мережі із струмом, позначені на інструменті
- Не допускайте пошкоджень, які можуть нанести шрупи, цвяхи і інші елементи вашому виробу; видаліть їх перед початком роботи
- Використовуйте повністю розгорнений шнур подовжувача, який може витримувати навантаження в 16 Ампер
- Рівень шуму при роботі може перевищувати 85 дБ(а); використовуйте навушники
- Пил від таких матеріалів, як свинцовоутримуюча фарба, деякі породи дерева, мінерали й метал, може бути шкідливим (контакт із таким пилом або його вдихання може стати причиною виникнення в оператора або осіб, що перебувають поруч, алергійних реакцій і/або респіраторних захворювань); **надягайте респіратор і працюйте з пиловидальючим пристроєм під час увімкнення інструмента**
- Деякі види пилу класифікуються як канцерогенні (наприклад, дубовий або буковий пил), особливо в сполученні з добавками для кондиціонування деревини; **надягайте респіратор і працюйте з пиловидальючим пристроєм під час увімкнення інструмента**
- Слідуйте інструкції по роботі з матеріалами, продукуючими пил
- Надягайте захисні рукавички, окуляри безпеки, щільно облягаючий одяг і захисну шапочку (для довгого волосся)
- При обробці металу можуть з'являтися іскри; не використовуйте пиловловлювач і видаліть займисті матеріали з робочої зони
- **Зафіксуйте оброблювану деталь** (оброблювана деталь, зафіксована за допомогою затискних пристроїв або лещат, закріплюється краще, ніж вручну)

ПІД ЧАС ВИКОРИСТАННЯ

- Не дозволяйте шнуру живлення стикатися з рухомими частинами інструменту; завжди викладайте шнур за задньою частиною інструменту
- Не торкайтеся до рухомого наждачного листа
- У разі електричної або механічної несправності, негайно відключите інструмент і вимкніть з розетки
- Якщо шнур пошкоджений або прорізаний при роботі, не доторкайтеся до нього і негайно витягніть його з розетки

ПІСЛЯ ВИКОРИСТАННЯ

- Коли ви закінчили роботу з інструментом, вимкніть мотор і переконайтеся, що всі рухомі частини повністю зупинилися

ПОЯСНЕННЯ ДО УМОВНИХ ПОЗНАЧОК НА ІНСТРУМЕНТІ

- ③ Перед використанням прочитайте інструкцію із застосування
- ④ Подвійна ізоляція (заземлюючий провід не потрібен)
- ⑤ Не викидайте інструмент разом зі звичайним сміттям

ВИКОРИСТАННЯ

- Установка наждачного листа ⑥
 - ! виийняти вилку з розетки для засмокування пилу потрібні перфоровані наждачні листи**
 - ! перфорація в наждачному листі повинна співпадати з перфорацією в робочій пластині**
 - ! своєчасно замініуйте наждачні листи**
 - ! завжди повністю закривайте робочу пластину наждачним папером**
 - встановіть наждачний лист VELCRO як показано на малюнку
- Пиловловлювання
 - ! не використовуйте пиловловлювач/пилосос при шліфуванні металу**
 - Пиловловлювач ⑦
 - регулярно спорожняйте пиловловлювач А для оптимального засмокування пилу
 - видаліть пиловловлювач А шляхом витягування пиловловлювача А назад
 - Щоб користуватись пилососом необхідно
 - встановіть адаптер для пилвсмоктувача D так, як показано на малюнку ⑧a
 - підключіть шланг пилососа до адаптеру пилососа D ⑧b
- Вимикач живлення
 - вмикайте і вимикайте прилад шляхом встановлення перемикача у відповідне положення
 - ! перш ніж прикласти робочу поверхню до виробу потрібно включити інструмент**
 - ! перш ніж вимкнути інструмент, його треба відвести від оброблюваного виробу**
- Утримування і робота інструментом ⑨
 - ! під час роботи, завжди тримайте інструмент за частини захвату сірого кольору**
 - направляйте інструмент паралельно робочій поверхні
 - ! не прикладайте до інструменту дуже великий тиск**
 - не нахиляйте інструмент, щоб уникати небажаних ділянок
 - тримайте вентиляційні отвори С ② незакритими

ПОРАДИ ПО ВИКОРИСТАННЮ

- Використовуйте інструмент для шліфування великих поверхонь, що обробляються, кутів і країв ⑩
- Для кращого результату шліфування працюйте інструментом прямолінійними рухами
 - для шліфування поверхонь необробленої деревини
 - для кінцевої зачистки
- Ніколи не використовуйте один і той же наждачний лист для дерева і металу
- Рекомендовані наждачні листи:
 - для видалення фарби та шліфування повністю необробленої деревини використовуйте грубий розмір зерна (40, 60)
 - для шліфування необробленої чи обробленої деревини використовуйте середній розмір зерна (80, 100, 120)
 - для шліфування дерева та поверхонь із старою фарбою, а також для фінішної обробки необробленої деревини використовуйте дрібний розмір зерна (180, 240, 320)
- Використовуйте різні наждачні листи для необробленої поверхні:
 - починайте шліфувати крупним або середнім листом
 - завершуйте дрібним
- Дивіться додаткову інформацію на сайті www.skil.com

ДОГЛЯД/ОБСЛУГОВУВАННЯ

- Цей інструмент не придатний для промислового використання
- Завжди тримайте інструмент та його шнур в чистоті (особливо вентиляційні отвори С ②)
 - видаліть налиплий пил щіткою
 - ! перед чистою інструменту необхідно роз'єднати штепельний роз'єм**
- Якщо незважаючи на ретельну технологію виготовлення і перевірки інструмент все-таки вийде з ладу, його ремонт дозволяється виконувати лише в авторизованій сервісній майстерні для електроприладів SKIL
 - надішліть **нерозібраний** інструмент разом з доказом купівлі до Вашого дилера або до найближчого центру обслуговування SKIL (адреси, а також діаграма обслуговування пристрою, подаються на сайті www.skil.com)
- Візьміть до відома, що ушкодження внаслідок перевантаження або неналежного поводження з інструментом не будуть включені в гарантію (умови гарантії SKIL див. на сайті www.skil.com або довідайтеся в дилера у Вашому регіоні)

ОХОРОНА НАВКОЛИШНЬОЇ СЕРЕДИ

- **Не викидайте електроінструмент, придатності та упаковку разом зі звичайним сміттям** (тільки для країн ЄС)
 - відповідно до європейської директиви 2012/19/ЄС щодо утилізації старих електричних та електронних приладів, в залежності з місцевим законодавством, електроінструмент, який перебував в експлуатації повинен бути утилізований окремо, безпечним для навколишнього середовища шляхом
 - малюнок ⑤ нагадає вам про це

ШУМ / ВІБРАЦІЯ

- За вимірами відповідно до EN 62841 рівень звукового тиску цього інструменту становлює 73,0 дБ(А) та рівень потужності звуку дорівнює 84,0 дБ(А) (коефіцієнт недостовірності $K = 3$ дБ), а вібрація ($4,1 \text{ m/c}^2$ (трисекційна векторна сума; коефіцієнт недостовірності $K = 1,5 \text{ m/c}^2$)
 - Рівень вібрації було виміряно у відповідності зі стандартизованим випробуванням, що міститься в EN 62841; дана характеристика може використовуватися для порівняння одного інструмента з іншим, а також для попередньої оцінки впливу вібрації під час застосування даного інструмента для вказаних цілей
 - при використанні інструмента в інших цілях або з іншими/несправними допоміжними пристосуваннями рівень впливу вібрації може значно **підвищуватися**
 - у періоди, коли інструмент вимикнений або функціонує без фактичного виконання роботи, рівень впливу вібрації може значно **знижуватися**
- ! захищайте себе від впливу вібрації, підтримуючи інструмент і його допоміжні пристосування в справному стані, підтримуючи руки в теплі, а також правильно організовуючи свій робочий процес**

GR

Πολυτριβείο

7260

ΕΙΣΑΓΩΓΗ

- Αυτό το εργαλείο χρησιμοποιείται για την ξηρή λείανση και το φινιρίσμα ξύλου, βαμμένων επιφανειών, πλαστικών και στόκου
- Αυτό το εργαλείο δεν προορίζεται για επαγγελματική χρήση
- Διαβάστε και φυλάξτε αυτές τις οδηγίες χρήσεως ③

ΤΕΧΝΙΚΑ ΧΑΡΑΚΤΗΡΙΣΤΙΚΑ ①

ΜΕΡΗ ΤΟΥ ΕΡΓΑΛΕΙΟΥ ②

- A Δοχείο συλλογής σκόνης
 - B Διακόπτης εκκίνησης/στάσης
 - C Σχισμός αερισμού
 - D Προσαρμοστικό της ηλεκτρικής σκούπας*
- * ΔΕΝ ΠΕΡΙΛΑΜΒΑΝΕΤΑΙ ΣΤΗ ΣΤΑΝΤΑΡ ΣΥΣΚΕΥΑΣΙΑ

ΑΣΦΑΛΕΙΑ

ΓΕΝΙΚΕΣ ΥΠΟΔΕΙΞΕΙΣ ΑΣΦΑΛΕΙΑΣ ΓΙΑ ΗΛΕΚΤΡΙΚΑ ΕΡΓΑΛΕΙΑ

Α ΠΡΟΕΙΔΟΠΟΙΗΣΗ Διαβάστε όλες τις προειδοποιήσεις ασφαλείας καθώς και τις οδηγίες, εικόνες και προδιαγραφές που παρέχονται με αυτό το ηλεκτρικό εργαλείο. Αμέλεια τήρησης όλων των οδηγιών που παρατίθενται παρακάτω μπορεί να προκαλέσει ηλεκτροπληξία, πυρκαγιά ή/και σοβαρό τραυματισμό.

Φυλάξτε όλες τις υποδείξεις ασφαλείας και τις οδηγίες για το μέλλον.

Ο ορισμός “ηλεκτρικό εργαλείο” που χρησιμοποιείται στις προειδοποιητικές υποδείξεις αναφέρεται σε ηλεκτρικά εργαλεία που τροφοδοτούνται από το ηλεκτρικό δίκτυο (με ηλεκτρικό καλώδιο) καθώς και σε ηλεκτρικά εργαλεία που τροφοδοτούνται από μπαταρία (χωρίς ηλεκτρικό καλώδιο).

1) ΑΣΦΑΛΕΙΑ ΣΤΟ ΧΩΡΟ ΕΡΓΑΣΙΑΣ

- a) **Διατηρείτε το χώρο που εργάζεσθε καθαρό και καλά φωτισμένο.** Αταξία στο χώρο που εργάζεσθε ή μη φωτισμένες περιοχές εργασίας μπορεί να οδηγήσουν σε ατυχήματα.
- b) **Μην εργάζεσθε με το ηλεκτρικό εργαλείο σε περιβάλλον που υπάρχει κίνδυνος έκρηξης, στο οποίο υπάρχουν εύφλεκα υγρά, αέρια ή σκόνη.** Τα ηλεκτρικά εργαλεία μπορεί να δημιουργήσουν σπινθηρισμό ο οποίος μπορεί να αναφλέξει τη σκόνη ή τις αναθυμιάσεις.
- c) **Όταν χρησιμοποιείτε το ηλεκτρικό εργαλείο κρατάτε τα παιδιά κι άλλα τυχόν πρόσωπα μακριά από το χώρο που εργάζεσθε.** Σε περίπτωση που άλλα άτομα αποσπάσουν την προσοχή σας μπορεί να χάσετε τον έλεγχο του μηχανήματος.

2) ΗΛΕΚΤΡΙΚΗ ΑΣΦΑΛΕΙΑ

- a) **Το φως του καλώδιου του ηλεκτρικού εργαλείου πρέπει να ταυριάζει στην αντίστοιχη πρίζα. Δεν επιτρέπεται με κανένα τρόπο η μετασκευή του φως. Μην χρησιμοποιείτε προσαρμοστικά φως σε συνδυασμό με ηλεκτρικά εργαλεία συνδεδεμένα με τη γη (γειωμένα).** Αθικτα φως και κατάλληλες πρίζες μειώνουν τον κίνδυνο ηλεκτροπληξίας.
- b) **Αποφεύγετε την επαφή του σώματος σας με γειωμένους επιφάνειες όπως σωληνες, θερμαντικά σώματα (καλοριφέρ), κουζίνες και ψυγεία.** Όταν το σώμα σας είναι γειωμένο αυξάνεται ο κίνδυνος ηλεκτροπληξίας.
- c) **Μην εκθέτετε το ηλεκτρικό εργαλείο στη βροχή ή την υγρασία.** Η διείσδυση νερού στο ηλεκτρικό εργαλείο αυξάνει τον κίνδυνο ηλεκτροπληξίας.
- d) **Μην χρησιμοποιείτε το καλώδιο για να μεταφέρετε ή ν' αναρτήσετε το ηλεκτρικό εργαλείο ή για να βγάλετε το φως από την πρίζα. Κρατάτε το καλώδιο μακριά από υψηλές θερμοκρασίες, λάδια, κοφτερές ακμές ή κινούμενα εξαρτήματα.** Τυχόν χαλασμένα ή υπερδεδεμένα καλώδια αυξάνουν τον κίνδυνο ηλεκτροπληξίας.
- e) **Όταν εργάζεσθε με το ηλεκτρικό εργαλείο στο ύπαιθρο χρησιμοποιείτε πάντοτε καλώδια επιμήκυνσης (μπαλαντάρες) που έχουν εγκριθεί για χρήση σε εξωτερικούς χώρους.** Η χρήση καλωδίων επιμήκυνσης εγκριμένων για εργασία σε εξωτερικούς χώρους μειώνει τον κίνδυνο ηλεκτροπληξίας.
- f) **Όταν η χρήση του ηλεκτρικού εργαλείου σε υγρό περιβάλλον είναι αναπόφευκτη, τότε χρησιμοποιήστε έναν προστατευτικό διακόπτη διαρροής.** Η χρήση ενός προστατευτικού διακόπτη διαρροής ελαττώνει τον κίνδυνο ηλεκτροπληξίας.

3) ΑΣΦΑΛΕΙΑ ΠΡΟΣΩΠΩΝ

- a) **Να είστε πάντοτε προσεκτικός/προσεκτική, να δίνετε προσοχή στην εργασία που κάνετε και να χειρίζεστε το ηλεκτρικό εργαλείο με περίσκεψη.** Μην κάνετε χρήση του ηλεκτρικού εργαλείου όταν είστε κουρασμένος/κουρασμένη ή όταν βρίσκεσθε

υπό την επιρροή ναρκωτικών, οινοπνεύματος ή φαρμάκων. Μια στιγμήαία απροσεξία κατά το χειρισμό του ηλεκτρικού εργαλείου μπορεί να οδηγήσει σε σοβαρούς τραυματισμούς.

- b) **Φοράτε προστατευτικά ενδύματα και πάντοτε προστατευτικά γυαλιά.** Όταν φοράτε ενδύματα ασφαλείας, ανάλογα με το υπό χρήση ηλεκτρικό εργαλείο, όπως προστατευτικά προστασίας από σκόνη, αντιολισθητικά παπούτσια ασφαλείας, κράνη ή ωτασπίδες, μειώνεται ο κίνδυνος τραυματισμών.
- c) **Αποφεύγετε την αβέλητη εκκίνηση. Βεβαιωθείτε ότι το ηλεκτρικό εργαλείο έχει αποζευχτεί πριν το συνδέσετε με το ηλεκτρικό δίκτυο ή/και με την μπαταρία καθώς και πριν το παραλάβετε ή το μεταφέρετε.** Όταν μεταφέρετε το ηλεκτρικό εργαλείο έχοντας το δάχτυλό σας στο διακόπτη ή όταν συνδέσετε το μηχάνημα με την πηγή ρεύματος όταν αυτό είναι ακόμη συζευγμένο, τότε δημιουργείται κίνδυνος τραυματισμών.
- d) **Αφαιρείτε από τα ηλεκτρικά εργαλεία πριν τα θέσετε σε λειτουργία τυχόν συναρμολογημένα χρησιμοποιήσιμα εργαλεία ή κλειδιά.** Ένα εργαλείο ή κλειδί συναρμολογημένο στο περιστρεφόμενο εξάρτημα ενός ηλεκτρικού εργαλείου μπορεί να οδηγήσει σε τραυματισμούς.
- e) **Μην υπερκτιμάτε τον εαυτό σας. Φροντίζετε για την ασφαλή στήριξη του σώματός σας και διατηρείτε πάντοτε την ισορροπία σας.** Αυτό σας επιτρέπει τον καλύτερο έλεγχο το ηλεκτρικού εργαλείου σε περιπτώσεις απροσδόκων καταστάσεων.
- f) **Φοράτε κατάλληλη ενδυμασία εργασίας. Μη φοράτε φαρδιά ρούχα ή κοσμήματα. Κρατάτε τα μαλλιά και τα ρούχα σας μακριά από κινούμενα εξαρτήματα.** Χαλαρή ενδυμασία, κοσμήματα και μακριά μαλλιά μπορεί να εμπλακούν στα κινούμενα εξαρτήματα.
- g) **Αν υπάρχει η δυνατότητα συναρμολόγησης διατάξεων αναρρόφησης ή συλλογής σκόνης, βεβαιωθείτε αν οι διατάξεις αυτές είναι συνδεδεμένες καθώς κι αν χρησιμοποιούνται σωστά.** Η χρήση μιας αναρρόφησης σκόνης μπορεί να ελαττώσει τον κίνδυνο που προκαλείται από τη σκόνη.
- h) **Μην εφησυχάζετε σε μια λάθος ασφάλεια και μην αφήσατε τους κανόνες ασφαλείας για τα ηλεκτρικά εργαλεία, ακόμα και όταν μετά από συχνή χρήση είστε εξοικειωμένοι με το εργαλείο.** Ένας απρόσεκτος χειρισμός μπορεί μέσα σε κλάσματα του δευτερολέπτου να οδηγήσει σε σοβαρούς τραυματισμούς.
- 4) ΧΡΗΣΗ ΚΙ ΕΠΙΜΕΛΗΣ ΧΕΙΡΙΣΜΟΣ ΤΩΝ ΗΛΕΚΤΡΙΚΩΝ ΕΡΓΑΛΕΙΩΝ**
- a) **Μην υπερφορτώνετε το ηλεκτρικό εργαλείο. Χρησιμοποιείτε για την εκάστοτε εργασία σας το ηλεκτρικό εργαλείο που προορίζεται γι'αυτήν.** Με το κατάλληλο ηλεκτρικό εργαλείο εργάζεσθε καλύτερα και ασφαλέστερα στην αναφερόμενη περιοχή ισχύος.
- b) **Μη χρησιμοποιήσετε ποτέ ένα ηλεκτρικό εργαλείο του οποίου ο διακόπτης ON/OFF είναι χαλασμένος.** Ένα ηλεκτρικό εργαλείο το οποίο δεν μπορεί να θεθεί πλέον σε ή εκτός λειτουργίας είναι επικίνδυνο και πρέπει να επισκευαστεί.

- c) **Τραβήξτε το φως από την πρίζα και/ή απομακρύνετε μια αποσπώμενη μπαταρία, προτού εκτελέσετε ρυθμίσεις στο ηλεκτρικό εργαλείο, προτού αλλάξετε εξαρτήματα ή φυλάξετε το ηλεκτρικό εργαλείο.** Αυτά τα προληπτικά μέτρα ασφαλείας μειώνουν τον κίνδυνο από τυχόν αβέλητη εκκίνηση του ηλεκτρικού εργαλείου.
- d) **Διαφυλάγετε τα ηλεκτρικά εργαλεία που δε χρησιμοποιείτε μακριά από παιδιά. Μην αφήνετε άτομα που δεν είναι εξοικειωμένα με το ηλεκτρικό εργαλείο ή δεν έχουν διαβάσει αυτές τις οδηγίες χρήσης να το χρησιμοποιήσουν.** Τα ηλεκτρικά εργαλεία είναι επικίνδυνα όταν χρησιμοποιούνται από άπειρα πρόσωπα.
- e) **Φροντίστε τα ηλεκτρικά εργαλεία και τα εξάρτημα με επιμέλεια. Ελέγχετε, αν τα κινούμενα εξαρτήματα λειτουργούν άψογα, χωρίς να μπλοκάρουν, ή μήπως έχουν σπάσει ή φθαρεί τυχόν εξαρτήματα τα οποία επηρεάζουν τον τρόπο λειτουργίας του ηλεκτρικού εργαλείου. Δώστε αυτo τα χαλασμένα εξαρτήματα για επισκευή πριν τα ξαναχρησιμοποιήσετε.** Η κακή συντήρηση των ηλεκτρικών εργαλείων αποτελεί αιτία πολλών ατυχημάτων.
- f) **Διατηρείτε τα κοπτικά εργαλεία κοφτερά και καθαρά.** Τα κοπτικά εργαλεία που συντηρούνται με προσοχή μπορούν να οδηγηθούν εύκολα και να ελεγχθούν καλύτερα.
- g) **Χρησιμοποιείτε τα ηλεκτρικά εργαλεία, τα εξαρτήματα, τα χρησιμοποιήσιμα εργαλεία κτλ. σύμφωνα με τις παρούσες οδηγίες καθώς. Λομαίνετε ταυτόχρονα υπόψη σας τις συνθήκες εργασίας και την υπό εκτέλεση εργασία.** Η χρήση του ηλεκτρικού εργαλείου για άλλες εκτός από τις προβλεπόμενες εργασίες μπορεί να δημιουργήσει επικίνδυνες καταστάσεις.
- h) **Διατηρείτε τις λαβές και επιφάνειες λαβής στεγνές, καθαρές και ελεύθερες από λάδι και γράσο.** Οι ολισθηρές λαβές και επιφάνειες λαβής δεν επιτρέπουν κανέναν ασφαλή χειρισμό και έλεγχο του ηλεκτρικού εργαλείου σε τυχόν απρόβλεπτες καταστάσεις.
- 5) ΣΕΡΒΙΣ**
- a) **Δίνετε το ηλεκτρικό σας εργαλείο για επισκευή από άριστα ειδικευμένο προσωπικό, μόνο με γνήσια ανταλλακτικά.** Έτσι εξασφαλίζεται η διατήρηση της ασφάλειας του ηλεκτρικού εργαλείου.

ΥΠΟΔΕΙΞΕΙΣ ΑΣΦΑΛΕΙΑΣ ΓΙΑ ΤΡΙΒΕΙΑ

ΓΕΝΙΚΑ

- Αυτό το εργαλείο δεν πρέπει να χρησιμοποιείται από άτομα κάτω των 16 ετών
- Αυτό το εργαλείο δεν είναι κατάλληλο για λείανση με γρήση υγρών
- Ποτέ μην χρησιμοποιείτε το εργαλείο όταν το καλώδιο είναι φθαρμένο. Θα πρέπει να αντικατασταθεί από ειδικά προετοιμασμένο καλώδιο το οποίο υπάρχει διαθέσιμο στο δίκτυο εξυπηρέτησης.
- **Μην κατεργάζεστε υλικά που περιέχουν αμιάντο** (το αμιάντο θεωρείται σαν καρκινογόνο υλικό)
- **Πάντα να αποσυνδέεται την πρίζα από το ηλεκτρικό δίκτυο πριν κάνετε κάποια ρύθμιση ή αλλάξετε εξάρτημα**

ΕΞΑΡΤΗΜΑΤΑ

- Η SKIL εγγυάται την τέλεια λειτουργία του εργαλείου μόνο όταν χρησιμοποιούνται αυθεντικά εξαρτήματα
- Δεν επιτρέπεται η περαιτέρω χρήση γυαλόχαρτών που έχουν φθαρεί, σχιστεί ή έχουν χάσει τη λειαντική τους ικανότητα

ΠΡΙΝ ΑΠΟ ΤΗ ΧΡΗΣΗ

- Βεβαιωθείτε ότι η τάση του παρεχόμενου ρεύματος είναι ίδια με την τάση που υποδεικνύεται στην πινακίδα δεδομένων του εργαλείου
- Προφυλάξτε το εργαλείο από τυχόν φθορές από ξένα σώματα (βίδες, καρφιά ή άλλα) που ίσως είναι μέσα στο κομμάτι που θα δουλέψετε - αφαιρέστε τα πριν αρχίσετε την εργασία
- Χρησιμοποιείτε ασφαλείς, τελειώς ξετυλιγμένες προεκτάσεις καλωδίου με χωρητικότητα 16 Amps
- Η ηχητική στάθμη κατά την εργασία ενδέχεται να ξεπεράσει τα 85 dB(A) - γι' αυτό θα πρέπει να φοράτε προστασία ακοής
- Η σκόνη από υλικά όπως μογιές που περιέχουν μόλυβδο, ορισμένα είδη ξύλου, ανόργανα στοιχεία και μέταλλα μπορεί να είναι επιβλαβής (η επαφή ή η εισπνοή της σκόνης μπορεί να προκαλέσει αλλεργικές αντιδράσεις ή/και αναπνευστικές ασθένειες στον χειριστή ή σε άτομα που παριστάνει) - **να φοράτε προσωπίδα προστασίας από τη σκόνη και να εργάζεστε με συσκευή αφαίρεσης σκόνης όταν είναι δυνατό**
- Ορισμένα είδη σκόνης ταξινομούνται ως καρκινογόνα (όπως η σκόνη από τη δρυ ή την οξιά) ιδιαίτερα σε συνδυασμό με πρόσθετα συντήρησης ξύλου - **να φοράτε προσωπίδα προστασίας από τη σκόνη και να εργάζεστε με συσκευή αφαίρεσης σκόνης όταν είναι δυνατό**
- Ακολουθήστε τις σχετικές με σκόνη εθνικές διατάξεις για τα υλικά που θέλετε να εργαστείτε
- Φοράτε προστατευτικά γάντια, προστατευτικά γυαλιά, εφάρμοστά ενδύματα και κάλυμμα μαλλιών (για μακριά μαλλιά)
- Όταν λειανείτε μέταλλα παράγονται σπινθήρες - μη χρησιμοποιείτε το δοχείο συλλογής σκόνης και απομακρύνετε άλλα άτομα και εύφλεκτα υλικά από τον χώρο εργασίας
- **Στερεώστε το κομμάτι εργασίας** (το κομμάτι εργασίας συγκρατείται καλύτερα με σφιγκτήρες ή σε μέγγινη παρά με το χέρι)

ΚΑΤΑ ΤΗ ΧΡΗΣΗ

- Να κρατάτε πάντα το καλώδιο μακριά από τα κινούμενα μέρη του εργαλείου σας - κρατάτε το καλώδιο προς τα πίσω, μακριά από το εργαλείο
- Μην έρχεστε σε επαφή με το κινούμενο γυαλόχαρτο
- Σε περίπτωση ηλεκτρικής ή μηχανικής δυσλειτουργίας, σταματήστε αμέσως το εργαλείο και βγάλτε το από την πρίζα
- Σε περίπτωση που υποστεί βλάβη ή κοπεί το καλώδιο κατά την εργασία, μην αγγίζετε το καλώδιο, αλλά αποσυνδέστε αμέσως το φις από την πρίζα

ΜΕΤΑ ΤΗ ΧΡΗΣΗ

- Όταν τελειώνετε την δουλειά σας και ακουμπάτε το εργαλείο στο πλάι, κλείστε τον διακόπτη και βεβαιωθείτε ότι όλα τα κινούμενα μέρη του έχουν σταματήσει εντελώς

ΕΠΕΞΗΓΗΣΗ ΤΩΝ ΣΥΜΒΟΛΩΝ ΣΤΟ ΕΡΓΑΛΕΙΟ

- ③ Διαβάστε το εγχειρίδιο οδηγιών πριν από τη χρήση

- ④ Διπλή μόνωση (δεν απαιτείται καλώδιο γείωσης)

- ⑤ Μην πετάτε το εργαλείο στον κάδο οικιακών απορριμμάτων

ΧΡΗΣΗ

- Τοποθέτηση γυαλόχαρτου ⑥
 - ! **βγάλτε το φις από την πρίζα**
 - ! **το σύστημα απορρόφησης σκόνης απαιτεί τη χρήση διατήρων φύλλων γυαλόχαρτου**
 - ! **η διατήρηση στο γυαλόχαρτο πρέπει να αντιστοιχεί στη διατήρηση του λειαντικού πέλατος**
 - ! **αλλάξτε έγκαιρα το φθαρμένο γυαλόχαρτο**
 - ! **χρησιμοποιείτε το εργαλείο πάντα καλύπτοντας ολόκληρη τη λειαντική επιφάνεια με γυαλόχαρτο**
 - τοποθετήστε το αυτοκόλλητο γυαλόχαρτο (VELCRO) όπως δείχνει η εικόνα
- Απορρόφηση σκόνης
 - ! **μη χρησιμοποιείτε το δοχείο συλλογής σκόνης/την ηλεκτρική σκούπα όταν λειανείτε μέταλλα** Δοχείο συλλογής σκόνης ⑦
 - να αδειάζετε κανονικά το δοχείο συλλογής σκόνης A για καλύτερη απορρόφηση της σκόνης
 - αφαιρέστε το δοχείο συλλογής σκόνης A τραβώντας το δοχείο συλλογής σκόνης A προς τα πίσω
 - Για να χρησιμοποιήσετε ηλεκτρική σκούπα
 - τοποθετήστε το συστ. προσαρμογής ηλεκτρικής κούπας D όπως δείχνει η εικόνα ⑧a
 - Συνδέστε το σωλήνα της ηλεκτρικής σκούπας στο προσαρμοστικό της ηλεκτρικής σκούπας D ⑧b
 - Διακόπτης εκκίνησης/στάσης
 - ξεκινάτε/σταματάτε το εργαλείο πιέζοντας το διακόπτη προς τα μέσα/έξω
 - ! **πρέπει να ξεκινήσετε το εργαλείο πριν η λειαντική επιφάνεια (το γυαλόχαρτο) φθάσει το κομμάτι που κατεργάζεσθε**
 - ! **προτού σταματήσετε το εργαλείο πρέπει να το ανασήκωσετε από το κατεργαζόμενο κομμάτι**
 - Πώς να κρατάτε και να οδηγείτε το εργαλείο ⑨
 - ! **ενώ εργάζεστε, να κρατάτε πάντα το εργαλείο από τη/τις λαβή/ές με γκρι χρώμα**
 - οδηγείστε το εργαλείο σας παράλληλα προς την επιφάνεια εργασίας
 - ! **μην εφαρμόζετε υπερβολική πίεση στο εργαλείο**
 - **αφήστε την λειαντική επιφάνεια να δουλέψει για σας**
 - μην κινείτε στόμα και μη γέρνετε το εργαλείο για να αποφύγετε σημάδια στη λειανόμενη επιφάνεια
 - κρατάτε τις σχισμές αερισμού C ② ακάλυπτες

ΟΔΗΓΙΕΣ ΕΦΑΡΜΟΓΗΣ

- Χρησιμοποιήστε το εργαλείο για τη λείανση μεγάλων επιφανειών, γωνιών και ακμών ⑩
- Κινείτε το εργαλείο με ευθείες κινήσεις στην ίδια ευθεία με τους κόκκους
 - για λείανση επιφάνειας γυμνού ξύλου
 - για εξαιρετικά λεπτό φινιρίσμα επιφάνειας
- Ποτέ μην κατεργάζεστε ξύλα και μέταλλα με το ίδιο γυαλόχαρτο
- Συνιστώμενες ποιότητες γυαλόχαρτου:
 - για την αφαίρεση χρωμάτων και για το τρίψιμο

- εξαιρετικά άγριου ξύλου χρησιμοποιήστε χονδρό νούμερο γυαλόχαρτο (40, 60)
- για το τρίψιμο άγριου ή κοινού ξύλου χρησιμοποιήστε μεσαίο νούμερο γυαλόχαρτο (80, 100, 120)
- για την εξομάλυνξη ξύλου και επιφανειών με παλαιά χρώματα καθώς και για το φινιρίσμα ακάλυπτου ξύλου χρησιμοποιήστε φιλό νούμερο γυαλόχαρτο (180, 240, 320)
- Να χρησιμοποιείτε διάφορα μεγέθη κόκκων όταν η επιφάνεια που κατεργάζεστε είναι άγρια:
 - ξεκινήστε τη λείανση με χονδρούς κόκκους ή μεσαίους μεγέθους κόκκους
 - τελειώστε την κατεργασία με λεπτούς κόκκους
- Για περισσότερες πληροφορίες επισκεφθείτε τη σελίδα www.skil.com

ΣΥΝΤΗΡΗΣΗ / ΣΕΡΒΙΣ

- Αυτό το εργαλείο δεν προορίζεται για επαγγελματική χρήση
- Κρατάτε πάντοτε το εργαλείο και το καλώδιο καθαρά (και ιδιαίτερα τις θυρίδες αερισμού C ②)
- απομακρύνετε την κολλημένη σκόνη μ' ένα πινέλο
- ! **αφαιρέστε την πρίζα πριν το καθάρισμα**
- Αν παρ' όλες τις επιμελημένες μεθόδους κατασκευής κι ελέγχου το εργαλείο σταματήσει κάποτε να λειτουργεί, τότε η επισκευή του πρέπει να ανατεθεί σ' ένα εξουσιοδοτημένο συνεργείο για ηλεκτρικά εργαλεία της SKIL
 - στείλτε το εργαλείο **χωρίς να το αποσυρναμολογήσετε** μαζί με την απόδειξη αγοράς στο κατάστημα από το οποίο το αγοράσατε ή στον πλησιέστερο σταθμό τεχνικής εξυπηρέτησης της SKIL (θα βρείτε τις διευθύνσεις και το διάγραμμα συντήρησης του εργαλείου στην ιστοσελίδα www.skil.com)
- Να γνωρίζετε ότι βλάβες που προκαλούνται λόγω υπερφόρτωσης ή ακατάλληλου χειρισμού του εργαλείου, δεν καλύπτονται από την εγγύηση (για τους όρους της εγγύησης της SKIL επισκεφθείτε τη διεύθυνση www.skil.com ή απευθυνθείτε στον πλησιέστερο αντιπρόσωπο)

ΠΕΡΙΒΑΛΛΟΝ

- **Μην πετάτε τα ηλεκτρικά εργαλεία, εξαρτήματα και συσκευασία στον κάδο οικιακών απορριμμάτων** (μόνο για τις χώρες της ΕΕ)
 - σύμφωνα με την ευρωπαϊκή οδηγία 2012/19/ΕΚ περί ηλεκτρικών και ηλεκτρονικών συσκευών και την ενσωμάτωσή της στο εθνικό δίκαιο, τα ηλεκτρικά εργαλεία πρέπει να συλλέγονται ξεχωριστά και να επιστρέφονται για ανακύκλωση με τρόπο φιλικό προς το περιβάλλον
 - το σύμβολο ⑤ θα σας το θυμήσει αυτό όταν έλθει η ώρα να πετάξετε τις

ΘΟΥΡΒΟΣ / ΚΡΑΔΑΣΜΟΣ

- Βάσει της μέτρησης σύμφωνα με το πρότυπο EN 62841, η στάθμη ηχοπίεσης αυτού του εργαλείου είναι 73,0 dB(A), η στάθμη ηχοπίεσης του 84,0 dB(A) (αβεβαιότητα K = 3 dB), και ο κραδασμός 4,1 m/s² (τρίαξονικό διανυσματικό άθροισμα, αβεβαιότητα K = 1,5 m/s²)

- Το επίπεδο παραγωγής κραδασμών έχει μετρηθεί σύμφωνα με μια τυποποιημένη δοκιμή που αναφέρεται στο πρότυπο EN 62841 - μπορεί να χρησιμοποιηθεί για τη σύγκριση ενός εργαλείου με ένα άλλο, καθώς και ως προκαταρκτική αξιολόγηση της έκθεσης στους κραδασμούς όταν το εργαλείο χρησιμοποιείται για τις εφαρμογές που αναφέρονται
 - η χρήση του εργαλείου για διαφορετικές εφαρμογές ή με διαφορετικά ή κακοσυντηρημένα εξαρτήματα μπορεί να **αυξήσει** σημαντικά το επίπεδο έκθεσης
 - όταν το εργαλείο είναι απενεργοποιημένο ή δουλεύει αλλά δεν εκτελεί την εργασία, το επίπεδο έκθεσης μπορεί να **μειωθεί** σημαντικά
- ! **προστατευτείτε από τις επιδράσεις των κραδασμών συντηρώντας σωστά το εργαλείο και τα εξαρτήματά του, διατηρώντας τα χέρια σας ζεστά και οργανώνοντας τον τρόπο εργασίας σας**

RO

Șlefuito multifuncțional

7260

INTRODUCERE

- Această sculă se utilizează pentru șlefuirea uscată și finisarea lemnului unor suprafețe vopsite, plastic și chit
- Această sculă nu este destinată utilizării profesionale
- Citiți și păstrați acest manual de instrucțiuni ③

DATE TEHNICE ①

ELEMENTELE SCULEI ②

- A Casetă pentru praf
- B Întrerupător pornit/oprit
- C Fantele de ventilație
- D Adaptor aspiratorului*

* NU ESTE INCLUS ÎN VERSIUNEA STANDARD

SIGURANȚA

INSTRUCȚIUNI GENERALE DE SIGURANȚĂ PENTRU SCULE ELECTRICE

⚠ AVERTISMENT Citiți toate avertismentele, instrucțiunile, ilustrațiile și specificațiile furnizate împreună cu această sculă electrică. Neconformarea la instrucțiunile de mai jos poate produce șoc electric, incendiu și/sau răniiri grave.

Păstrați toate avertizările și instrucțiunile în vederea consultării ulterioare.

Termenul de "sculă electrică" folosit în indicațiile de avertizare se referă la sculele electrice alimentate de la rețea (cu cablu de alimentare) și la sculele electrice cu acumulator (fără cablu de alimentare).

1) SIGURANȚA LA LOCUL DE MUNCĂ

- a) **Păstrați-vă locul de muncă curat și bine iluminat.** Dezordinea la locul de muncă sau existența unor sectoare de lucru neiluminate poate duce la accidente.

- b) **Nu folosiți mașina în medii cu pericol de explozie, acolo unde există lichide, gaze sau pulberi inflamabile.** Sculele electrice pot produce scântei care să aprindă pulberile sau vaporii.
- c) **Nu permiteți accesul copiilor și al altor persoane în timpul lucrului cu mașina.** Dacă vi se distrage atenția puteți pierde controlul asupra mașinii.
- 2) SECURITATE ELECTRICĂ**
- a) **Ștecherul de racordare a mașinii trebuie să se potrivească cu priza de alimentare. Nu este permisă în nici-un caz modificarea ștecherului. Nu folosiți adaptoare pentru ștechere la mașinile legate la pământ.** Ștecherele nemodificate și prizele de curent adecvate acestora reduc riscul de electrocutare.
- b) **Evitați contactul corporal cu suprafețe legate la pământ ca țevi, radiatoare, plite electrice și frigidere.** Există un risc crescut de electrocutare atunci când corpul dv. este și el legat la pământ.
- c) **Nu lăsați mașina afară în ploaie sau în mediu umed.** Riscul de electrocutare crește atunci când într-o sculă electrică pătrunde apă.
- d) **Nu trageți niciodată mașina de cordonul de alimentare pentru a o transporta, a o atârna sau a scoate ștecherul din priza de curent. Feriți cordonul de alimentare de căldură, ulei, muchiul ascuțite sau de subsansamble aflate în mișcare.** Un cordon de alimentare deteriorat sau înfășurat mărește riscul de electrocutare.
- e) **Atunci când lucrați cu scula electrică în aer liber, folosiți numai cordonae prelungitoare autorizate pentru exterior.** Întrebuințarea unui cordon prelungitor adecvat utilizării în aer liber reduce riscul de electrocutare.
- f) **Atunci când nu poate fi evitată utilizarea sculei electrice în mediu umed, folosiți un întrerupător de circuit cu împământare.** Folosirea unei întrerupător de circuit cu împământare reduce riscul de electrocutare.
- 3) SECURITATEA PERSOANELOR**
- a) **Fiți vigilenți, fiți atenți la ceea ce faceți și procedați rațional atunci când lucrați cu scula electrică. Nu folosiți mașina dacă sunteți obosiți sau vă aflați sub influența drogurilor, alcoolului sau a medicamentelor.** Un moment de neatenție în timpul lucrului cu mașina poate duce la răniri grave.
- b) **Purtați echipament de protecție personală și întotdeauna ochelari de protecție.** Folosirea echipamentelor de protecție a persoanei ca mască de protecție împotriva prafului, încălțăminte antiderapantă, cască de protecție sau aparat de protecție auditivă, în funcție de tipul și domeniul de folosire al sculei electrice, reduce riscul rănirilor.
- c) **Evitați o punere în funcțiune involuntară. Înainte de a introduce ștecherul în priză și/sau de a introduce acumulatorul în scula electrică, de a o ridica sau de a o transporta, asigurați vă că acestea este oprită.** Dacă atunci când transportați scula electrică țineți degetul pe întrerupător sau dacă porniți scula electrică înainte de a o racorda la rețeaua de curent, puteți provoca accidente.
- d) **Înainte de a pune mașina în funcțiune scoateți afară cheile reglabile și fixe.** O cheie reglabilă sau fixă, aflată într-o componentă de mașină care se rotește, poate provoca răniri.
- e) **Nu vă supraapreciați. Asigurați-vă o poziție stabilă și păstrați-vă întotdeauna echilibrul.** Astfel veți putea controla mai bine mașina în situații neașteptate.
- f) **Purtați îmbrăcăminte de lucru adecvată. Nu purtați haine largi sau podoabe. Feriți părul și îmbrăcăminte de piesele aflate în mișcare.** Îmbrăcăminte largă, podoabele și părul lung pot fi prinse de piesele aflate în mișcare.
- g) **Dacă există posibilitatea montării de echipamente și instalații de aspirare și colectare a prafului, asigurați-vă că acestea sunt conectate și folosite corect.** Folosirea unei instalații de aspirare a prafului poate duce la reducerea poluării cu praf.
- h) **Nu vă lăsați amăgiți de ușurința în operare dobândită în urma folosirii frecvente a sculelor electrice și nu ignorați principiile de siguranță ale acestora.** Neglijența poate provoca, într-o fracțiune de secundă, vătămări corporale grave
- 4) MANEVRAȚI ȘI FOLOSIȚI CU GRIJĂ SCULELE ELECTRICE**
- a) **Nu suprautilizați mașina. Folosiți scula electrică destinată executării lucrării dumneavoastră.** Cu scula electrică potrivită lucrați mai bine și mai sigur în domeniul de putere specificat.
- b) **Nu folosiți scula electrică dacă are întrerupătorul defect.** O sculă electrică, care nu mai poate fi pornită sau oprită este periculoasă și trebuie reparată.
- c) **Scoateți ștecherul afară din priză și/sau îndepărtați acumulatoru dacă este detașabil, înainte de a executa reglaje, a schimba accesoriu sau a depozita scula electrică.** Această măsură preventivă reduce riscul unei porniri involuntare a mașinii.
- d) **În caz de nefolosire păstrați mașinile la loc inaccesibil copiilor. Nu permiteți persoanelor care nu sunt familiarizate cu mașina sau care n-au citit prezentele instrucțiuni, să folosească mașina.** Sculele electrice sunt periculoase atunci când sunt folosite de persoane fără experiență.
- e) **Întrețineți sculele electrice și accesoriile acestora. Controlați dacă componentele mobile funcționează corect și dacă nu se blochează, dacă nu există piese defecte sau deteriorate, care să afecteze funcționarea mașinii. Înainte de a repune în funcțiune mașina, duceți-o la un atelier de asistență service pentru repararea sau înlocuirea pieselor deteriorate.** Multe accidente s-au datorat întreținerii defectuoase a sculelor electrice.
- f) **Păstrați accesoriile bine ascuțite și curate.** Accesoriile atent întreținute, cu muchi tăietora bine ascuțite se blochează mai greu și pot fi conduse mai ușor.
- g) **Folosiți sculele electrice, accesoriile, dispozitivele de lucru etc. conform prezentelor instrucțiuni. Țineți seama de condițiile de lucru și de lucrarea care trebuie executată.** Întrebuințarea unor scule electrice destinate altor utilizări decât cele preconizate, poate duce la situații periculoase.
- h) **Mențineți mânerul și zonele de prindere uscate, curate și ferii-le de ulei și unsoare.** Mânerul și zonele de prindere alunecoase nu permit manevrarea și controlul sigur al sculei electrice în situații neașteptate.
- 5) SERVICIU**
- a) **Permiteți repararea mașinii dumneavoastră numai**

de către un specialist calificat și numai cu piese de schimb originale. În acest mod este garantată menținerea siguranței de exploatare a mașinii.

INSTRUCȚIUNI DE SIGURANȚĂ PENTRU ȘLEFUITOARE

GENERALITĂȚI

- Această sculă nu trebuie să fie folosit de persoane sub 16 ani
- Această sculă nu este destinată pentru șlefuire umedă
- Nu utilizați niciodată scula electrică atunci când cablul este deteriorat; acesta trebuie înlocuit cu un cablu special, disponibil prin intermediul organizației de service.
- **Nu prelucrați materiale care conțin azbest** (azbestul este considerat a fi cancerigen)
- **Decuplați întotdeauna ștecherul de la sursa de alimentare înainte de a face o reglare sau o schimbare de accesoriu**

ACCESORII

- SKIL garantează funcționarea perfectă a aparatului numai dacă sunt folosite accesoriile originale
- Nu continuați să folosiți benzile de șlefuire uzate, rupte sau extrem de înbăcșite

ÎNAINTEA UTILIZĂRII

- Verificați întotdeauna dacă tensiunea de alimentare este aceeași cu tensiunea indicată pe plăcuța de identificare a sculei
- Evitați daunele provocate de șuruburi, țiște și alte elemente din timpul lucrului; înlăturați aceste elemente înainte de a trece la acțiune
- Folosiți cabluri de prelungire derulate complet, protejate/izolate, cu o capacitate de 16 amperi
- Când este utilizat, nivelul de zgomot poate depăși 85 dB(A); este necesar să purtați echipament de protecție pentru urechi
- Praful rezultat din materiale precum vopseaua care conține plumb, unele specii de lemn, minerale și metale poate fi periculos (contactul cu praful sau inhalarea acestuia poate provoca reacții alergice și/sau afecțiuni respiratorii operatorului sau persoanelor care stau în apropiere); **purtați o mască de praf și lucrați cu un dispozitiv de extragere a prafului când poate fi conectat**
- Anumite tipuri de praf sunt clasificate ca fiind cancerigene (cum ar fi praful de stejar și fag) în special în combinație cu aditivi pentru tratarea lemnului; **purtați o mască de praf și lucrați cu un dispozitiv de extragere a prafului când poate fi conectat**
- Respectați reglementările naționale referitoare la aspirația prafului în funcție de materialele de lucru folosite
- Utilizați întotdeauna mănuși de protecție, ochelari de protecție, îmbrăcăminte strânsă pe corp și articole de protecție a părului (în caz de păr lung)
- În timpul șlefuirii de metale sunt împrăștiate scânteii; nu folosiți casetă pentru praf și nu permiteți prezența altor persoane sau a unor materiale inflamabile în perimetrul de activitate
- **Securizați piesa de lucru** (o piesă de lucru fixată cu clame sau într-o menghină este ținută mult mai în siguranță decât manual)

ÎN TIMPUL FUNCȚIONĂRII

- Feriți întotdeauna cordonul de părțile în mișcare ale sculei; orientați cordonul spre spate, la distanță de sculă

- Nu atingeți benzii mobilă de șlefuire
- În cazul unor defecțiuni electrice sau mecanice deconectați imediat instrumentul și scoateți șnurul din priză
- În cazul în care cordonul este deteriorat sau secționat în timpul lucrului, nu atingeți cordonul, dar deconectați imediat de la priză

DUPĂ UTILIZARE

- Când puneți instrumentul la o parte, deconectați motorul și asigurați-vă că toate elementele mobile și-au oprit complet mișcarea

EXPLICAȚIA SIMBOLURILOR DE PE INSTRUMENT

- ③ Citiți manual de instrucțiuni înainte de utilizare
- ④ Izolație dublă (nu este necesar fir de împământare)
- ⑤ Nu aruncați instrumentul direct la pubelele de gunoi

UTILIZAREA

- Montarea benzii de șlefuire ⑥
! deconectați priza
! aspiratorul de reziduu necesită folosirea benzilor perforate de șlefuire
! perforațiile de pe benzii de șlefuire trebuie să corespundă cu perforațiile din stativul de șlefuire
! înlocuiți la timp benzile de șlefuire uzate
! folosiți întotdeauna suprafața de șlefuire a instrumentului acoperiți în totalitate cu hârtie de șlefuire
 - montați benzii de șlefuire VELCRO conform ilustrației
- Aspirarea a prafului
! nu folosiți casetă pentru praf/aspiratorul când slefuiți metale
Casetă pentru praf ⑦
 - golți regulat casetă pentru praf A pentru realizarea unui randament optimal de aspirare a prafului
 - scoateți caseta pentru praf A trăgând-o A în sens inversÎn cazul folosirii unui aspirator de praf
 - montați adaptorul pentru aspiratorul D așa cum este ilustrat ⑧a
 - conectați furtunul aspiratorului la adaptorul aspiratorului D ⑧b
- Întrerupător pornit/oprit
 - porniți și opriți scula electrică prin apăsarea întrerupătorului
 - ! înainte ca suprafața de slefuire să atingă piesa de prelucrat, va trebui să porniți instrumentul**
 - ! înainte de oprirea scula, trebuie să o ridicați de pe piesa de prelucrat**
- Mănuirea și dirijarea sculei ⑨
 - ! în timp ce lucrați, țineți întotdeauna scula de zonă (zonele) de prindere colorate gri**
 - dirijați instrumentul paralel cu suprafața de prelucrat
 - ! nu aplicați presiune prea mare asupra instrumentului; lăsați ca suprafața de slefuire să lucreze pentru dumneavoastră**
 - nu înclinați instrumentul, pentru a evita semne nedorite de slefuire
 - mențineți fantele de ventilație C ② neacoperite

SFATURI PENTRU UTILIZARE

- Utilizați scula pentru a șlefui suprafețe mari, colțuri și margini ⑩

- Деplasаѝ инструменту с миѝкѝри релтилни в дирекѝия нервурите лемнулу
 - пелу рѝелуиреа супраѝетелу де лемн непрелуцате
 - пелу финисереа етра финѝ
- Ну фолосиѝ нициодате аѝеаѝи бензи де рѝелуит пелу лемн рѝи метал
- Гранулатиѝа рекомандате а фолу де рѝелуире:
 - пелу вдепѝрѝатеа вопсеа рѝи рѝелуиреа лемнулу фолате брут улизати гранулатиѝа аспре (40, 60)
 - пелу рѝелуиреа лемнулу брут сау нете улизати гранулатиѝа меди (80, 100, 120)
 - пелу нетезереа лемнулу рѝи а супраѝетелу с вопсеа веѝе, преѝум рѝи финисереа лемнулу непрелуцат улизати гранулатиѝа фине (180, 240, 320)
- Улизати диферите гранулатиѝа кѝд супраѝатеа де прелуцат есте бруте:
 - вдепѝрѝатеа рѝелуиреа с о гранулатие аспре сау меди
 - финисаѝи с о гранулатие финѝ
- Пелу маи multe информатиѝи, консулати www.skil.com

ВТРЕШЕНЕРЕ / SERVICE

- Аѝеаѝѝ скулѝа ну есте дефинате в улизатиѝи професионале
- Пѝастрѝи апаратул рѝи каблул курае (маи алес фантеле де вентилатиѝа C ②)
 - вдепѝрѝатеа ку о перие прафлу рѝамас де а рѝелуире
- **! деконеѝати де ла рѝизѝа вдепѝрѝате де а кураѝа**
- Дѝаѝ в чиуда проѝедеелу де фабриѝатиѝа рѝи контрол рѝигуроае скулѝа аре тотуѝи о панѝа, репаререа аѝеаѝеа се ва фѝе нумай ла у ателиер де асисентѝа сервисе ауторизат пелу скулѝе елѝектриѝе SKIL
 - тримитеѝи скулѝа **в тоталитеа луи** с бунолу де кумпѝрѝаре ла дистрибуиторул сау ла центрлу де сервисе SKIL цел маи апропиат (адресе рѝи диаграме де сервисе се гѝасеас ла www.skil.com)
- Требуе са фѝи конрѝиенти де фактул кѝа деѝериореа дѝаторатеа супрасарѝинии сау улизатиѝи вкоректе а скулѝе вѝр фи елѝуде дин гаранѝие (пелу конрѝиѝиѝе де гаранѝие SKIL консулати www.skil.com сау вдепѝрѝатеа дистрибуиторул)

MEDIUL

- **Ну арѝунаѝи скулѝе елѝектриѝе, аѝесѝориѝе сау амбалѝе де дирекѝа пубеле де гунои** (нумай пелу рѝарѝе дин Коуунитеа Еурѝопеанѝа)
 - Дирѝектѝа Еурѝопеанѝа 2012/19/EC фѝаѝе рефѝерѝе ла модулу де арѝунаѝе а еѝипаментелу елѝектриѝе рѝи елѝектронѝе рѝи модулу де аплиѝаре а нормелу в конформитате с леѝислатиѝа наѝионале; скулѝе елѝектриѝе в моментул внаре а аѝин у град авансат де узурѝа рѝи требуеис арѝунаѝе, еле требуеис колектеде сепарат рѝи рецилате вдепѝрѝатеа внаре са рефекѝа нормеле де прѝекѝиѝе а медиулу вконѝураѝор
 - симболул ⑤ вѝа ва реаминте аѝест луѝру

ZGOMOT / VIBRAȚII

- Мѝасурате в конформитате с EN 62841, нивелу де прѝесуре сонорѝа а аѝестуи инструменту есте 73,0 dB(A) рѝи нивелу де згомѝот 84,0 dB(A) (инѝертитудинеа K = 3 dB) рѝи вѝибраѝиѝа 4,1 m/s² (сума векторѝиалѝа триаѝиалѝа; инѝертитудинеа K = 1,5 m/s²)
- Нивелу емисиилу де вѝибраѝиѝа а фолст мѝасурат в конформитате с ун тест стандардизат преѝизат в EN 62841; поате фи фолсит пелу а кѝмпара о скулѝа с алѝа рѝи ка евалуере

прелиминаре а експунерии ла вѝибраѝиѝа аѝунѝи кѝд фолосиѝи скулѝа пелу аплиѝатиѝе мѝенѝиѝонате

- улизереа скулѝе пелу аплиѝатиѝи диферите сау с аѝесѝориѝи диферите рѝи прѝост вдепѝрѝатеа поате **крерѝе** семнѝификаѝив нивелу де експунере

- моментеле внаре скулѝа есте опрѝите сау кѝд фѝунѝиѝеазѝа дар ну елѝудѝате ниѝо луѝраре, поате **реѝуде** семнѝификаѝив нивелу де експунере

! прѝекѝиѝате вѝа вдепѝрѝатеа ефѝектелу вѝибраѝиѝилу прѝи вдепѝрѝатеа скулѝе рѝи а аѝесѝориѝилу сае, пѝастрѝанд маинеле калде рѝи оргѝанизѝанд проѝедеде де луѝру

BG

Мулти-шлайф

7260

УВОД

- Тѝози инструменту е преѝназѝачен за суѝо рѝлифѝоване в полиране на дѝрво, бѝадисани повѝрѝности, пластмаса в запѝълваѝ матѝериал
- Тѝози инструменту не е преѝназѝачен за професионална употреба
- Прѝечетете в пазете това рѝѝководство за работа ③

ТЕХНИЧЕСКИ ДАННИ ①

ЕЛЕМЕНТИ НА ИНСТРУМЕНТА ②

- A Колектор за прах
 B Прѝекѝсваѝ за вѝключване/изѝключване
 C Вентилационните отвори
 D Адаптер за прахосмуѝкаѝа*
 * НЕ Е ВКЛУЧЕНА СТАНДАРТНО

БЕЗОПАСНОСТ

ОБЩИ УКАЗАНИЯ ЗА БЕЗОПАСНА РАБОТА С ЕЛЕКТРОИНСТРУМЕНТИ

В ПРЕДУПРЕЖДЕНИЕ Прѝечете всѝички предупреѝдениѝа за безопаеност, инструкѝии, илюстраѝии в спецификаѝии, доставени с тѝози елѝектронѝструменту. Неспазването на всѝички описани по-долу инструкѝии може да доведе до тоѝов удар, поѝар и/или теѝжо наранѝаване.

Запазете всѝички предупреѝдениѝа в указаниѝа за ползване в бѝдеце.

Използваниѝа по-долу термин "елѝектронѝструменту" се отнасе до захранвани от елѝектриѝеската мрежа елѝектронѝструменти (сѝс захранваѝ кабел) в до захранвани от акумулаторна батѝерия елѝектронѝструменти (без захранваѝ кабел).

1) БЕЗОПАСНОСТ НА РАБОТНОТО МЯСТО

- Подѝдрѝжайте работното си място чисто в подрѝедено.** Безпорѝядѝѝат или недостатѝѝно осветление могаѝ да спомогнат за възникването на трудова злополуѝа.
- Не работете с елѝектронѝструментуа в среда с повишенѝа опасност от възникване на експлозиѝа, в близост до леснозапалими течности, газове**

- или прахообразни материали. По време на работа в електроинструментите се отделят искри, които могат да възпламяват прахообразни материали или пари.
- c) **Дръжте деца и странични лица на безопасно разстояние, докато работите с електроинструмента.** Ако вниманието Ви бъде отклонено, може да загубите контрола над електроинструмента.
- 2) БЕЗОПАСНОСТ ПРИ РАБОТА С ЕЛЕКТРИЧЕСКИ ТОК**
- a) **Щепселът на електроинструмента трябва да е подходящ за ползвания контакт. В никакъв случай не се допуска изменение на конструкцията на щепсела. Когато работите със занулените електроуреди, не използвайте адаптери за щепсела.** Ползването на оригинални щепсели и контакти намалява риска от възникване на токов удар.
- b) **Избягвайте допира на тялото Ви до заземени тела, напр. тръби, отоплителни уреди, печи и хладилници.** Когато тялото Ви е заземено, рискът от възникване на токов удар е по-голям.
- c) **Предпазвайте електроинструмента си от дъжд и влага.** Проникването на вода в електроинструмента повишава опасността от токов удар.
- d) **Не използвайте захранващ кабел за цели, за които той не е предвиден, напр. за да носите електроинструмента за кабела или да извадите щепсела от контакта. Предпазвайте кабела от нагриване, омасляване, допир до остри ръбове или до подвижни звена на машини.** Повредени или усукани кабели увеличават риска от възникване на токов удар.
- e) **Когато работите с електроинструмент навън, използвайте само удължителни кабели, предназначени за работа на открито.** Използването на удължител, предназначен за работа на открито, намалява риска от възникване на токов удар.
- f) **Ако се налага използването на електроинструмента във влажна среда, използвайте предпазен прекъсвач за утечни токове.** Използването на предпазен прекъсвач за утечни токове намалява опасността от възникване на токов удар.
- 3) БЕЗОПАСЕН НАЧИН НА РАБОТА**
- a) **Бъдете концентрирани, следете внимателно действията си и постъпвайте предпазливо и разумно. Не използвайте електроинструмента, когато сте уморени или под влиянието на наркотични вещества, алкохол или упойващи лекарства.** Един миг разсеяност при работа с електроинструмент може да има за следствие изключително тежки наранявания.
- b) **Работете с предпазващо работно облекло и винаги с предпазни очила.** Носенето на подходящи за ползвания електроинструмент и извършваната дейност лични предпазни средства, като дихателна маска, здрави плътнотзатворени обувки със стабилен грайфер, защитна каска или шумозаглушители (антифони), намалява риска от възникване на трудова злополука.
- c) **Избягвайте опасността от включване на електроинструмента по невнимание. Преди да включите щепсела в захранващата мрежа или да поставите акумулаторна батерия, се уверявайте, че пусковият прекъсвач е в положение изключено.** Ако, когато носите електроинструмента, държите пръста си върху пусковия прекъсвач, или ако подавате захранващо напрежение на електроинструмента, когато е включен, съществува опасност от възникване на трудова злополука.
- d) **Преди да включите електроинструмента, се уверявайте, че сте отстранили от него всички помощни инструменти и гаечни ключове.** Помощен инструмент, забравен на въртящо се звено, може да причини травми.
- e) **Не надценявайте възможностите си. Работете в стабилно положение на тялото и във всеки момент поддържайте равновесие.** Така ще можете да контролирате електроинструмента по-добре и по-безопасно, ако възникне неочаквана ситуация.
- f) **Работете с подходящо облекло. Не работете с широки дрехи или украшения. Дръгнете косата и дрехите си на безопасно разстояние от движещи се звена.** Широките дрехи, украшенията, дългите коси могат да бъдат захванати и увлечени от въртящи се звена.
- g) **Ако е възможно използването на външна аспирационна система, се уверявайте, че тя е включена и функционира изправно.** Използването на аспирационна система намалява рисковете, дължащи се на отделящата се при работа прах.
- h) **Доброто познаване на електроинструмента вследствие на честа работа с него не е повод за намаляване на вниманието и пренебрегване на мерките за безопасност.** Едно невнимателно действие може да предизвика тежки наранявания само за части от секундата.
- 4) ВНИМАТЕЛНО ОТНОШЕНИЕ НЪМ ЕЛЕКТРОИНСТРУМЕНТИ**
- a) **Не претоварвайте електроинструмента.** Използвайте електроинструментите само съобразно тяхното предназначение. Ще работите по-добре и по-безопасно, когато използвате подходящия електроинструмент в зададения от производителя диапазон на натоварване.
- b) **Не използвайте електроинструмент, чиито пусков прекъсвач е повреден.** Електроинструмент, който не може да бъде изключван и включван по предвидения от производителя начин, е опасен и трябва да бъде ремонтиран.
- c) **Преди да извършвате каквито и да е дейности по електроинструмента, напр. настройване, смяна на работен инструмент, както и когато го прибирате, изключвайте щепсела от контакта, респ. изваждайте батерията, ако е възможно.** Тази мярка премахва опасността от задействане на електроинструмента по невнимание.
- d) **Съхранявайте електроинструментите на места, където не могат да бъдат достигнати от деца. Не допускайте те да бъдат използвани от лица, които не са запознати с начина на работа с тях и**

не са прочели тези инструкции. Когато са в ръцете на неопитни потребители, електроинструментите могат да бъдат изключително опасни.

- e) **Поддържайте добре електроинструментите си и аксесоарите им. Проверявайте дали подвижните звена функционират безукорно, дали не заклинват, дали има счупени или повредени детайли, които нарушават или изменят функциите на електроинструмента. Преди да използвате електроинструмента, се погрижете повредените детайли да бъдат ремонтирани.** Много от трудовете злополуки се дължат на недобре поддържани електроинструменти и уреди.
- f) **Поддържайте режещите инструменти винаги добре заточени и чисти.** Добре поддържаните режещи инструменти с остри ръбове оказват по-малко съпротивление и се водят по-леко.
- g) **Използвайте електроинструментите, допълнителните приспособления, работните инструменти и т.н., съобразно инструкциите на производителя. С дейности и процедури, евентуално предписани от различни нормативни документи.** Използването на електроинструменти за различни от предвидените от производителя приложения повишава опасността от възникване на трудови злополуки.
- h) **Поддържайте дръжките и ръкохватките сухи, чисти и неомаслени.** Хлъзгавите дръжки и ръкохватки не позволяват безопасната работа и доброто контролиране на електроинструмента при възникване на неочаквана ситуация.

5) ПОДДЪРЖАНЕ

- a) **Допускайте ремонтът на електроинструментите Ви да се извършва само от квалифицирани специалисти и само с използването на оригинални резервни части.** По този начин се гарантира съхраняване на безопасността на електроинструмента.

УКАЗАНИЯ ЗА БЕЗОПАСНА РАБОТА ЗА ШЛИФОВЪЧНА МАШИНИ

ОБЩИ

- Машината не трябва да се използва от лица под 16 години
- Уредът не е подходящ за мокро шлифване
- Никога не използвайте инструмента, ако кабелът е повреден; той трябва да бъде заменен със специално подготвен кабел, наличен през сервисната организация.
- **Не работвайте азбестосъдържащ материал** (азбестът е канцерогенен)
- **Преди извършването на каквато и да било настройка или смяна на принадлежност винаги изваждайте щепсела от контакта на електрозахранването**

АНЕСОАРИ

- SKIL може да осигури безаварийна работа на електроинструмента само ако се използват оригинални допълнителни приспособления
- Не използвайте износени, разкъсани или силно замърсени шлифовъчни листове

ПРЕДИ УПОТРЕБА

- Преди включване на инструмента в контакта се уверете, че мрежовото напрежение отговаря на напрежението, обозначено на фирмената табелка на инструмента
- Избягвайте повреди, които могат да бъдат причинени от винтове, гвоздеи и други метални елементи в обработвания детайл; отстранете ги преди да започнете работа
- Използвайте напълно развити и обезопасени разклонители с капацитет 16 А
- При работа нивото на шума може да надвиши 85 dB(A); носете анттифони
- Прахът от някои материали, като например съдържаща олово боя, някои видове дървесина, минерали и метали може да бъде вреден (контакт или вдихване на такъв прах могат да причинят алергични реакции и/или респираторни заболявания на оператора или стоящите наблизо лица); **използвайте противопрахова масна и работете с аспиращо прахта устройство, когато такова може да бъде свързано**
- Определени видове прах са класифицирани като карциногенни (като прах от дъб и бук) особено когато са комбинирани с добавки за подобряване на състоянието на дървесината; **използвайте противопрахова масна и работете с аспиращо прахта устройство, когато такова може да бъде свързано**
- Следвайте дефинираните по БДС изисквания относно запрашеността за материалите, които желаете да обработвате
- Носете предпазни ръкавици, очила за безопасност, прилепващо по тялото облекло и вземете предпазни мерки за косата си (при дълга коса)
- При шлифване на метал се образуват искри; не използвайте колектор за прах и дръжте други лица и възпламеняващ се материал извън обсега на действие
- **Обезопасете работния материал** (материал, затегнат в затягащ инструмент или в менгеме е по-устойчив, отколкото ако се държи в ръка)

ПРИ УПОТРЕБА

- Винаги отвеждайте захранващият кабел далеч от движещите се звена на електроинструмента; прехвърлете кабела отзад, далеч от електроинструмента
- Не докосвайте шлифовъчния лист
- В случай на електрическа или механична неизправност, изключете незабавно апарата и прекъснете контакта с електрическата мрежа
- Ако кабелът се повреди или среже по време на работа, не го докосвайте, веднага изключете щепсела, никога не използвайте инструмента с повреден кабел

СЛЕД РАБОТА

- Преди да приберете инструмента, изключете мотора и се уверете, че всички движещи се части са преустановили движението

ОБЯСНЕНИЕ НА СИМВОЛИТЕ ПО ИНСТРУМЕНТА

- ③ Преди употреба прочетете ръководството с указания
- ④ Двойна изолация (не се изисква кабел за заземяване)
- ⑤ Не извърляйте инструмента заедно с битови отпадъци

УПОТРЕБА

- Поставяне на шлифовъчния лист ⑥
 - ! **изключете щепсела**
 - ! **прахоизсмукването изисква използването на перфорирани шлифовъчни листове**
 - ! **перфорацията на шлифовъчния лист трябва да съвпадне с перфорацията в шлифовъчната основа**
 - ! **сменяйте своевременно износените шлифовъчни листове**
 - ! **използвайте апарата с цялата шлифовъчна повърхност винаги напълно покрита с шлифовъчен лист**
 - монтирайте шлифовъчния лист от ВЕЛКРО, както е показано
- Изсмукване на праха
 - ! **не използвайте колектор за прах/прахосмукачка при шлифоване на метал**
 - Колектор за прах ⑦
 - изпразвайте колектор за прах А редовно за оптимален резултат при прахоизсмукването
 - извадете прахоуловителя А, като дърпате прахоуловителя А назад
 - При използване на прахосмукачка
 - монтирайте адаптора за прахосмукачката D, както е показано ⑧a
 - свържете маркуча на прахосмукачката към адаптера за прахосмукачка D ⑧b
- Прекъсвач за включване/изключване
 - включете/изключете инструмента чрез натискане на превключвателя навътре/навън
 - ! **включете апарата преди да докосне работната повърхност**
 - ! **преди да изключите инструмента, трябва да я вдигнете от работната повърхност**
- Държане и насочване на инструмента ⑨
 - ! **по време на работа, винаги дръжте уреда за оцветената(ите) в сиво зона(и) за хващане**
 - движете апарата успоредно на работната повърхност
 - ! **не упражнявайте особен натиск върху апарата; оставете шлифовъчната повърхност сама да върши работа**
 - не повдигайте апарата за да предотвратите нежелателни следи по работната повърхност
 - оставяйте вентилационните отвори С ② непокрити

УКАЗАНИЯ ЗА РАБОТА

- Използвайте инструмента за шлифоване на големи повърхности, ъгли и ръбове ⑩
- Движете апарата с прави движения по посока на нерва
 - за шлифоване на голо дърво
 - за много фино полиране
- Не използвайте никога един и същи шлифовъчен лист за дърво и метал
- Препоръчва се шлифовъчна хартия със следната зърнистост:
 - за остраняване на боя и за шлифоване на много необработено дърво, използвайте груби едрозърнести пясъчинки с размери (40, 60)
 - за шлифоване на необработено или обикновено дърво, използвайте средни едрозърнести

- пясъчинки с размери (80, 100, 120)
- за изглаждане на дървен материал и повърхности със стара боя, както и за окончателно обработване на голо дърво, използвайте фини пясъчинки с размери (180, 240, 320)
- Използвайте при грапава повърхност различна зърнистост на шлифовъчната хартия:
 - започнете с едра и средна зърнистост
 - завършете политурата с фина зърнистост
- За повече информация вижте www.skil.com

ПОДДРЪЖКА / СЕРВИЗ

- Този инструмент не е предназначен за професионална употреба
- Поддържайте винаги електроинструмента и захранващия кабел чисти (особено вентилационните отвори С ②)
 - почиствайте полепил се срутков прах с четка
- ! **преди почистване изключете щепсела**
- Ако въпреки прецизното производство и внимателно изпитване възникне повреда, инструмента да се занесе за ремонт в оторизиран сервиз за електроинструменти на SKIL
 - занесете инструмента в **неразглобен вид** заедно с доказателство за покупката му в търговския обект, откъдето сте го закупили, или в най-близкия сервиз на SKIL (адресите, както и схемата за сервизно обслужване на електроинструмента, можете да намерите на адрес www.skil.com)
- Имайте предвид, че повреда поради претоварване или неправилно манипулиране с инструмента ще бъдат изключени от гаранцията (за условията на гаранцията от SKIL виж на интернет адрес: www.skil.com или попитайте вашия дилър)

ОПАЗВАНЕ НА ОКОЛНАТА СРЕДА

- **Не изхвърляйте електроуредите, приспособленията и опановите заедно с битови отпадъци** (само за страни от ЕС)
 - съобразно Директивата на ЕС 2012/19/EG относно износени електрически и електронни уреди и отразяването ѝ в националното законодателство износените електроуреди следва да се събират отделно и да се предават за рециклиране според изискванията за опазване на околната среда
 - за това указва символът ⑤ тогава когато трябва да бъдат унищожени

ШУМ / ВИБРАЦИИ

- Измерено в съответствие с EN 62841, нивото на звуковото налягане на този инструмент е 73,0 dB(A), а нивото на звуковата мощност 84,0 dB(A) (неопределеност K = 3 dB), и вибрацията 4,1 m/s² (триаксиална векторна сума; неопределеност K = 1,5 m/s²)
- Нивото на предадените вибрации е измерено в съответствие със стандартизирания тест, определен в EN 62841; то може да се използва за сравнение на един инструмент с друг и като предварителна оценка на подлагането на вибрации при използването на инструмента за посочените приложения
 - използването на инструмента за различни от тези приложения или с други, или лошо поддържани

аксесоари може значително **да повиши** нивото на което сте подложени

- периодите от време, когато инструмента е изключен или съответно включен, но с него не се работи в момента могат значително **да намалят** нивото на което сте подложени

! предпазвайте се от ефектите от вибрациите, като поддържате инструмента и аксесоарите му, пазите ръцете си топли и организирате вашите модели на работа

SK

Multifunkční brúska

7260

ÚVOD

- Tento nástroj je určený na suché brúsenie a úpravu drevených, lakovaných plastických a vyplnených povrchov
- Tento nástroj nie je vhodný pre profesionálne použitie
- Prečítajte a uschovajte tento návod na použitie ③

TECHNICKÉ ÚDAJE ①

ČASTI NÁSTROJA ②

- A Prachová schránka
- B Vypínač zapnutie/vypnutie
- C Vetracie štrbiny
- D Adaptér na vysávač*

* NEOBSAHUJE ŠTANDARD

BEZPEČNOSŤ

VŠEOBECNÉ BEZPEČNOSTNÉ UPOZORNENIA TÝKAJÚCE SA ELEKTRICKÉHO NÁRADIA

! **VÝSTRAHA** Prečítajte si všetky bezpečnostné výstrahy, pokyny, ilustrácie a technické údaje, ktoré sú dodané s týmto elektrickým nástrojom. Nedodržanie všetkých nižšie uvedených pokynov môže viesť k poraneniu elektrickým prúdom, požiaru a/alebo vážnemu poraneniu.

Všetky upozornenia a pokyny si odložte na ďalšie použitie.

Pojem „elektrické náradie“ používaný v nasledujúcom texte sa vzťahuje na ručné elektrické náradie napájané zo siete (s prírodnou šnúrou) a na ručné elektrické náradie napájané akumulátorovou batériou (bez prírodnej šnúry).

1) BEZPEČNOSŤ NA PRACOVISKU

- Udržiavajte svoje pracovisko čisté a upratané.** Neporiadok na pracovisku alebo neosvetlené časti pracoviska môžu viesť k úrazom.
- Nepracujte elektrickým náradím v prostredí ohrozenom výbuchom, v ktorom sa nachádzajú horľavé kvapaliny, plyny alebo prach.** Elektrické náradie produkuje iskry, ktoré môžu prach alebo pary zapáliť.
- Deti a iné osoby udržiavajte počas práce od ručného elektrického náradia v dostatočnej vzdialenosti.** V prípade odpútania Vašej pozornosti by

ste mohli stratiť kontrolu nad náradím.

2) ELEKTRICKÁ BEZPEČNOSŤ

- Zástrčka prírodnej šnúry sa musí hodiť do napájacej zásuvky. Zástrčka sa v žiadnom prípade nesmie meniť. Pri uzemnených spotrebičoch nepoužívajte spolu s nimi žiadne adaptéry.** Nezmenená zástrčka a vhodná zásuvka znižujú riziko zásahu elektrickým prúdom.
- Vyhýbajte sa telesnému kontaktu s povrchovými plochami uzemnených spotrebičov, ako sú elektrické rúry, vyhrievacie telesá, sporáky a chladničky.** Keď je Vaše telo uzemnené, riziko zásahu elektrickým prúdom je vyššie.
- Chráňte ručné elektrické náradie pred dažďom a vlhkom.** Vniknutie vody do ručného elektrického náradia zvyšuje riziko zásahu elektrickým prúdom.
- Nepoužívajte prírodnú šnúru na prenášanie náradia, na jeho vešanie, ani za ňu nevytahujte zástrčku zo zásuvky. Prírodnú šnúru chráňte pred horúčavou, olejom, ostrými hranami alebo pohybujúcimi sa časťami náradia.** Poškodené alebo zauzlené šnúry zvyšujú riziko zásahu elektrickým prúdom.
- Ak pracujete s ručným elektrickým náradím vonku, používajte len také predlžovacie šnúry, ktoré sú schválené pre používanie vo vonkajších priestoroch.** Používanie predlžovacej šnúry určenej do vonkajšieho prostredia znižuje riziko zásahu elektrickým prúdom.
- Ak sa nedá vyhnúť použitiu ručného elektrického náradia vo vlhkom prostredí, použite prerušovač uzemňovacieho obvodu.** Používanie prerušovača uzemňovacieho obvodu znižuje riziko zásahu elektrickým prúdom.

3) BEZPEČNOSŤ OSÔB

- Buďte pozorní, dávajte pozor na to, čo robíte a k práci s elektrickým náradím pristupujte rozumne. Nepoužívajte elektrické náradie, keď ste unavení alebo keď ste pod vplyvom drog, alkoholu alebo liekov.** Chvilka nepozornosti pri používaní náradia môže viesť k vážnym poraneniam.
- Noste osobné ochranné pomôcky, ochranný odev a vždy majte nasadené ochranné okuliare.** Nosenie pracovného odevu a používanie ochranných pomôcok ako ochrannej dýchacej masky, bezpečnostných protišmykových topánok, prilby alebo chrániča sluchu, podľa druhu elektrického náradia, znižuje riziko poranenia.
- Vyhýbajte sa neúmyselnému uvedeniu ručného elektrického náradia do činnosti. Pred zasunutím zástrčky do zásuvky a/alebo pred pripojením akumulátora, pred chytním alebo prenášaním ručného elektrického náradia sa vždy presvedčte sa, či je ručné elektrické náradie vypnuté.** Ak budete mať pri prenášaní ručného elektrického náradia prst na vypínači, alebo ak ručné elektrické náradie pripojíte na elektrickú sieť zapnuté, môže to mať za následok nehodu.
- Skôr ako ručné elektrické náradie zapnete, náradie nastavovacie a montážne nástroje.** Nástroj alebo kľúč, ktorý sa nachádza v pohyblivej časti náradia, môže spôsobiť poranenie.
- Neprecaňujte sa. Zabezpečte si pevný postoj a neprestajne udržiavajte rovnováhu.** Takto budete

môcť ručné elektrické náradie v neočakávaných situáciách lepšie kontrolovať.

- f) **Pri práci noste vhodný pracovný odev. Nenoste široké odevy a nemajte na sebe šperky. Vyvarujte sa toho, aby sa vaše vlasy a odev dostali do blízkosti pohyblivých častí.** Voľný odev, dlhé vlasy alebo šperky môžu byť zachytené rotujúcimi časťami ručného elektrického náradia.
- g) **Ak možno namontovať zariadenie na odsávanie alebo zachytávanie prachu, presvedčíte sa, či je pripojené a správne používané.** Používanie odsávacieho zariadenia a zariadenia na zachytávanie prachu znižuje riziko ohrozenia zdravia prachom.
- h) **Nepodliehajte falošnému pocitu istoty získanej z častého používania náradia a nekonajte v rozpore s princípmi bezpečného používania náradia.** Nepozorná práca môže v priebehu zlomkov sekundy viesť k ťažkému poraneniu.
- 4) **STAROSTLIVÉ ZAOBCHÁDZANIE S ELEKTRICKÝM NÁRADÍM A JEHO POUŽÍVANIE**
 - a) **Náradie nepreťažujte. Pre svoju prácu používajte určené elektrické náradie.** Pomocou vhodného ručného elektrického náradia budete môcť v uvedenom rozsahu výkonu pracovať lepšie a bezpečnejšie.
 - b) **Nepoužívajte žiadne ručné elektrické náradie, ktoré má pokazený vypínač.** Ručné elektrické náradie, ktoré sa už nedá zapínať alebo vypínať, je nebezpečné a treba ho dať opraviť.
 - c) **Skôr ako začnete náradie nastavovať alebo prestavovať, vymieňajte príslušenstvo alebo ako odložte náradie, vždy vytiahnite koncovku sieťovej šnúry zo zásuvky a/alebo vyberte akumulátor, ak sa dá vybrať.** Toto preventívne opatrenie zabraňuje neúmyselnému spusteniu ručného elektrického náradia.
 - d) **Nepoužívajte ručné elektrické náradie uschovávaťe mimo dosahu detí. Nedopusťte, aby ručné elektrické náradie používali osoby, ktoré s ním nie sú dôkladne oboznámené, alebo ktoré si neprečítali tento Návod na používanie.** Ak ručné elektrické náradie používajú neskúsené osoby, stáva sa nebezpečným nástrojom.
 - e) **Ručné elektrické náradie a príslušenstvo starostlivo ošetrujte. Skontrolujte, či pohyblivé súčiastky náradia bezchybne fungujú a neblokujú a či nie sú zlomené alebo poškodené niektoré súčiastky, ktoré by mohli negatívne ovplyvniť fungovanie ručného elektrického náradia. Pred použitím ručného elektrického náradia dajte poškodené súčiastky opraviť.** Nejednen úraz bol spôsobený zle udržiavaným náradím.
 - f) **Používané nástroje udržiavajte ostré a čisté.** Starostlivo ošetrované nástroje s ostrými reznými hranami sa menej často zablokujú a ich vedenie je podstatne ľahšie.
 - g) **Používajte ručné elektrické náradie, príslušenstvo, pracovné nástroje a pod. podľa týchto pokynov. Zohľadnite pritom konkrétne pracovné podmienky a činnosť, ktorú máte vykonať.** Používanie ručného elektrického náradia na iné ako určené účely môže viesť k nebezpečným situáciám.
 - h) **Rukoväti a úchopové povrchy udržiavajte suché, čisté a bez oleja alebo mazacieho tuku.** Šmyklivé rukoväti a úchopové povrchy neumožňujú bezpečnú manipuláciu a ovládanie náradia v neočakávaných situáciách.

5) SERVIS

- a) **Ručné elektrické náradie zverte do opravy len kvalifikovanému personálu a používajte len originálne náhradné súčiastky.** Tým sa zabezpečí zachovanie bezpečnosti ručného elektrického náradia.

BEZPEČNOSTNÉ POKYNY PRE BRÚSKY

VŠEOBECNE

- Tento nástroj by nemali používať osoby mladšie ako 16 rokov
- Tento nástroj sa nehodí na brúsenie vlhkého povrchu
- Nikdy nepoužívajte náradie s poškodeným káblom; kábel sa musí vymeniť za špeciálne pripravený kábel dostupný prostredníctvom servisného strediska.
- **Neobrábajte materiál, ktorý obsahuje azbest** (azbest sa považuje za rakovinotvorný materiál)
- **Pri nastavovaní alebo výmene príslušenstva vždy vytiahnite prívodný kábel zo zásuvky**

PRÍSLUŠENSTVO

- SKIL zabezpečí hladký chod nástroja len ak sa používa pôvodné príslušenstvo
- Nepoužívajte opotrebené, potrhane alebo silne znečistené brúsne plochy

PRED POUŽITÍM

- Vždy skontrolujte či je napájacie napätie rovnaké ako napätie uvedené na štítku nástroja
- Zabráňte poškodeniu náradia skrutkami, klincami a inými kovovými predmetmi v obrobku; zoberte ich dole prv než začnete pracovať
- Používajte úplne odmontovanú a bezpečnú predlžovaciu šnúru s kapacitou 16 A
- Hlasitosť zapnutého prístroja môže byť viac aké 85 dB(A); chráňte si uši ochrannými krycimi prostriedkami
- Prach z materiálu, akým je náter obsahujúci olovo, niektoré druhy dreva, minerály a kovy môže byť škodlivý (styk alebo nadýchanie prachu môže spôsobiť alergické reakcie a/alebo respiračné ochorenia obsluhy a okolostojacich osôb); **používajte ochrannú masku tváre a pracujte so zariadením na odsávanie prachu, ak je takéto zariadenie možné pripojiť**
- Určité druhy prachu sú klasifikované ako karcinogénne (akým dubový a bukový prach), a to hlavne v spojení s prísadami pre úpravu dreva; **používajte ochrannú masku tváre a pracujte so zariadením na odsávanie prachu, ak je takéto zariadenie možné pripojiť**
- Dodržujte stanovené nariadenia pre prácu v prašnom prostredí
- Používajte ochranné rukavice, ochranné okuliare, priliehavý oblek a v prípade dlhých vlasov aj pokrývku hlavy
- Pri brúsení sa tvoria iskry; nepoužívajte prachová schránka a dbajte na to, aby sa v pracovnom priestore nezdržovala iná osoba a nebol horľavý materiál
- **Zaisťte obrábaný diel** (obrábaný diel uchytený pomocou upínacích zariadení alebo vo zveráku je oveľa bezpečnejší kým v ruke)

POČAS PRÁCE

- Elektrickú šnúru udržiavte vždy mimo pohyblivých častí nástroja; elektrickú šnúru vždy smerujte dozadu, mimo nástroja
- Nedotýkajte sa pohyblivej brúsnej plochy
- V prípade elektrickej alebo mechanickej poruchy zastavte okamžite nástroj a vytiahnite zástrčku z nástennej zásuvky

- Ak je sieťová šnúra poškodená alebo ak sa prereže počas prevádzky, nedotýkajte sa jej ale ju ihneď odpojte z hlavnej elektrickej siete

PO PRÁCI

- Skôr než nástroj položíte, presvedčte sa že je motor vypnutý a že sú všetky pohyblivé súčiastky zastavené

VYSVETLENIE SYMBOLOV NA NÁSTROJI

- ③ Pred použitím si prečítajte návod na obsluhu
- ④ Dvojité izolácia (nevyžaduje sa uzemňovací kábel)
- ⑤ Nástroj nevyhadzujte do komunálneho odpadu

POUŽITIE

- Namontovanie brúsiacich plôch ⑥
 - ! **odpojte zástrčku**
 - ! **! ah prachu vyžaduje aby sa použili perforované brúsiace plochy**
 - ! **perforácie na brúsiacich plochách sa majú zhodovať s perforáciami na brúsiacej nohe**
 - ! **na čas vyměňte opotrebené brúsiace plochy**
 - ! **nástroj vždy použite tak, aby celá brusná plocha bola pokrytá brusným papierom**
 - podľa obrázku namontujte brúsiacu plochu so suchým zipsom
- Odsávanie prachu
 - ! **nepoužívajte prachová schránka/vysávač keď brúsíte kov**
 - Prachová schránka ⑦
 - vyprázdňte prachová schránka A pravidelne aby sa čo najviac zvýšil výkon sania prachu
 - vyberte nádobu na prach A jej potiahnutím A dozadu
 - Prí používaní vysávača
 - namontujte adaptér vysávača D podľa obrázku ⑧a
 - pripojte hadicu vysávača k adaptéru hadice vysávača D ⑧b
- Vypínač zapnutie/vypnutie
 - nástroj zapnite/vypnite zatlačením/vytlačením vypínača
 - ! **nástroj je treba zapnúť predtým než sa dotkne povrchu brúseného kusu**
 - ! **pred vypnutím nástroja by ste ho mali zdvihnúť z miesta obrábania**
- Držanie a vedenie nástroja ⑨
 - ! **počas práce vždy držte nástroj v oblasti sivého držadla(iel)**
 - nástrojom pohybujte rovnoobežne s pracovným kusom
 - ! **pri práci netlačte príliš silno na nástroj, nechajte ho voľne pohybovať po brúsenom kuse**
 - nástroj sa nemá klopiť lebo týmto dôjde k tvorbe rýh na brúsennej ploche
 - vetracie štrbiny C ② udržiajte nezakryté

RADA NA POUŽITIE

- Nástroj používajte na brúsenie veľkých plôch, rohov a okrajov ⑩
- Nástroj pohybujte rovnými pohybmi v smere zrnitosti
 - na brúsenie holých drevených povrchov
 - na dosiahnutie lešteného povrchu
- Nikdy sa nesmie používať tá istá brusná plocha aj na drevo aj na kov
- Doporučené druhy brusných pásov:
 - na odstránenie náterov a pri brúsení extrémne drsného dreveného povrchu použite brusný papier s veľkým zrnom (40, 60)

- na brúsenie rovného dreveného povrchu použite brusný papier so stredne veľkým zrnom (80, 100, 120)
- na vyhladenie dreva alebo povrchov so starými nátermi, ako aj na konečnú úpravu surového dreva používajte brusný papier s jemným zrnom (180, 240, 320)
- K úprave hrubých povrchov používajte brusné pásy s rôznou zrnou veľkosťou:
 - najprv použijete hrubozrnný alebo strednozrnný pás
 - k dokončeniu slúži jemnozrnný pás
- Ďalšie informácie nájdete na adrese www.skil.com

ÚDRŽBA / SERVIS

- Tento nástroj nie je vhodný pre profesionálne použitie
- Nástroj a sieťovú šnúru udržiajte stále čistou (zvlášť vetracie štrbiny C ②)
 - pomocou kefy odstráňte nalepený brusný prach
 - ! **pred čistením odpojte z elektrickej siete**
- Ak by nástroj napriek starostlivej výrobe a kontrole predsa len prestal niekedy fungovať, treba dať opravu vykonať autorizovanej servisnej opravovni elektrického náradia SKIL
 - pošlite nástroj **bez rozmontovania** spolu s dôkazom o kúpe; vášmu dilerovi alebo do najbližšieho servisného strediska SKIL (zoznam adries servisných stredísk a servisný diagram nástroja sú uvedené na www.skil.com)
- Uvedomte si, že poškodenie spôsobené preťažením alebo nesprávnym zaobchádzaním bude zo záruky vylúčené (záručné podmienky spoločnosti SKIL nájdete na stránke www.skil.com alebo si ich vyžiadajte u svojho predajcu)

ŽIVOTNÉ PROSTREDIE

- **Elektrické náradie, príslušenstvo a balenia nevyhadzujte do komunálneho odpadu** (len pre štáty EÚ)
 - podľa európskej smernice 2012/19/EG o nakladaní s použitými elektrickými a elektronickými zariadeniami a zodpovedajúcich ustanovení právnych predpisov jednotlivých krajín sa použité elektrické náradie musí zbierať oddelene od ostatného odpadu a podrobiť ekologicky šetrnej recyklácii
 - pripomenie vám to symbol ⑤, keď ju bude treba likvidovať

HLUK / VIBRÁCIE

- Hladina akustického tlaku nameraná v súlade s normou EN 62841 je 73,0 dB(A) a hladina akustického výkonu je 84,0 dB(A) (neistota K = 3 dB) a vibrácie 4,1 m/s² (triakový vektorový súčet; neistota K = 1,5 m/s²)
- Hladina emisií od vibrácií bola nameraná v súlade s normalizovaným testom uvedeným v norme EN 62841; môže sa používať na vzájomné porovnávanie náradí a na predbežné posúdenie vystavenia účinkom vibrácií pri používaní náradia pre uvedené aplikácie
 - používanie náradia na rôzne aplikácie, alebo v spojení s rôznymi alebo nedostatočne udržiavanými doplnkami môže značne **zvýšiť** úroveň vystavenia
 - časové doby počas ktorých je je náradie vypnuté alebo počas ktorých náradie beží ale v skutočnosti nevykonáva prácu môžu značne **znižiť** úroveň vystavenia

! **črānite sa pred učinkami vibrāciā tak, Źe budete nārādie a jeha prīsluŹenstvo sprāvne udrŹiavāť, tak Źe nebudete pracovāť so studenāmi rukami a tak Źe si svoje pracovnē postupy sprāvne zorganizujete**

HR

Visefunkcionalni uređaj za bruŹenje

7260

UVOD

- Ovaj je uređaj predviđeni za suho bruŹenje i zavrŹnu obradu drva, obojanih povrŹina, plastike i punila
- Ovaj uređaj nije namijenjen profesionalnoj upotrebi
- PaŹljivo pročitajte i sačuvajte ove upute za rukovanje ③

TEHNIČKI PODACI ①

DIJELOVI ALATA ②

- A Dodatak za prašinu
- B Prekidač za uključivanje/isključivanje
- C Otvori za strujanje zraka
- D Prikliučak usisavača prašine*

* NIJE U STANDARDNOJ OPREMI

SIGURNOST

OPĆA SIGURNOSNA UPOZORENJA ZA ELEKTRIČNE ALATE

⚠ UPOZORENJE Pročitajte sva sigurnosna upozorenja, upute, ilustracije i specifikacije isporučene s ovim električnim alatom. Zbog nepriđrŹavanja svih uputa koje su navedene u nastavku moŹe doći do nastanka strujnog udara, poŹara i/ili teŹke ozljede.

Sva upozorenja i upute sačuvajte kao referencu za buduće upotrebe.

U daljnjem tekstu koriŹten pojam "električni alat" odnosi se na električne alate s priključkom na električnu mreŹu (s mreŹnim kabelom) i na električne alate s napajanjem iz aku baterije (bez mreŹnog kabela).

1) SIGURNOST NA RADNOM MJESTU

- a) **VaŹe radno područje održavajte čisto i uredno.** Nered ili neosvijetljeno radno područje mogu doći do nezgoda.
 - b) **S uređajem ne radite u okolini ugroŹenoj eksplozijom, u kojoj se nalaze zapaljive tekućine, plinovi ili prašina.** Električni alati proizvode iskre koje mogu zapaliti prašinu ili pare.
 - c) **Djecu i ostale osobe drŹite dalje tijekom koriŹtenja električnog alata.** Ako bi skrenuli pozornost sa posla mogli bi izgubiti kontrolu nad uređajem.
- #### 2) ELEKTRIČNA SIGURNOST
- a) **Priključni utikač uređaja treba odgovarati utičići.** Na utikaču se ni u kojem slučaju ne smiju izvoditi izmjene. Ne koristite adapterske utikače zajedno sa

uređajima koji su zaŹtićeni uzemljenjem. Originalni utikač i odgovarajuće utičićice smanjuju opasnost od električnog udara.

- b) **Izbjegavajte dodir tijela s uzemljenim povrŹinama kao Źto su cijevi, centralno grijanje, Źtednjaci i hladnjaci.** Postoji povećana opasnost od električnog udara ako je vaŹe tijelo uzemljeno.
 - c) **DrŹite uređaj dalje od kiŹe ili vlage.** Prodiranje vode u električni uređaj povećava opasnost od električnog udara.
 - d) **Priključni kabel ne koristite za noŹenje, vjeŹanje ili za izvlačenje utikača iz utičićice.** DrŹite kabel dalje od izvora topline, ulja, oŹtrih rubova ili pomičnih dijelova uređaja. OŹtećen ili usukan kabel povećava opasnost od električnog udara.
 - e) **Ako s električnim uređajem radite na otvorenom, koristite samo produžni kabel odobren za uporabu na otvorenom.** Primjena produŹnog kabela prikladnog za uporabu na otvorenom smanjuje opasnost od električnog udara.
 - f) **Ako se ne moŹe izbjeći uporaba električnog alata u vlaŹnoj okolini, upotrijebite sigurnosna sklopka za propuŹtanje u zemlju.** Upotrebom sigurnosne sklopke za propuŹtanje u zemlju smanjuje se opasnost od električnog udara.
- #### 3) SIGURNOST LJUDI
- a) **Budite opreznī, pazite Źto činite i postupajte razumno kod rada s električnim alatom. Ne koristite uređaj ako ste umorni ili pod utjecajem opojnih sredstava, alkohola ili lijekova.** Trenutak nepaŹnje kod uporabe uređaja moŹe doći do ozbiljnih ozljeda.
 - b) **Nosite sredstva osobne zaŹtite i uvijek zaŹtitne naočale.** NoŹenje sredstava osobne zaŹtite, kao Źto je zaŹtitna maska, sigurnosne cipele koje ne klize, zaŹtitne kacige ili Źtitnika za sluh, ovisno od vrste i primjene električnog alata, smanjuje opasnost od nezgoda.
 - c) **Izbjegavajte nehotično puŹtanje u rad. Prije nego Źto ćete utaknuti utikač u utičiću i/ili staviti akubateriju, provjerite je li električni alat isključen.** Ako kod noŹenja električnog alata imate prst na prekidaču ili se uključeni uređaj priključi na električno napajanje, to moŹe dovesti do nezgoda.
 - d) **Prije nego Źto uređaj uključite, uklonite alate za podeŹavanje ili vijčane ključeve.** Alat ili ključ koji se nalazi u rotirajućem dijelu uređaja moŹe doći do nezgoda.
 - e) **Ne precjenjujte svoje sposobnosti. Zauzmite siguran i stabilan poloŹaj tijela i drŹite u svakom trenutku ravnoteŹu.** Na taj naćin moŹete uređaj bolje kontrolirati u neočekivanim situacijama.
 - f) **Nosite prikladnu odjeću. Ne nosite Źiroku odjeću ili nakit. Kosu i odjeću drŹite dalje od pomičnih dijelova.** Źiroku odjeću, dugu kosu ili nakit mogu zahvatiti pomični dijelovi.
 - g) **Ako se mogu montirati naprave za usisavanje i hvatanje prašine, provjerite da li su iste prikljućene i da li se pravilno koriste.** Primjena naprave za usisavanje moŹe smanjiti ugroŹenost od prašine.
 - h) **Nemojte postati previŹe bezbrīzni i zanemari sigurnosne upute zato Źto alat često upotrebljavate i smatrate da Źte ga dobro upoznali.** Samo jedan trenutak nepaŹnje dovoljan je za nastanak ozbiljnih ozljeda.

4) BRIŽLJIVA UPORABA ELEKTRIČNIH ALATA

- a) **Ne preopterećujte uređaj. Koristite za vaše radove za to predviđen električni alat.** S odgovarajućim električnim alatom radit ćete bolje i sigurnije, u navedenom području učinka.
 - b) **Ne koristite električni alat čiji je prekidač neispravan.** Električni alat koji se više ne može uključiti ili isključiti, opasan je i treba se popraviti.
 - c) **Alat prije podešavanja, izmjene pribora i odlaganja isključite iz izvora napajanja i/ili izvadite komplet baterije, ako se vadi iz uređaja.** Ovim mjerama opreza izbjeći će se nehotično uključivanje električnog alata.
 - d) **Nekorištene električne alate spremite izvan doseg djece. Ne dopustite da uređaj koriste osobe koje s njim nisu upoznate ili koje nisu pročitale upute za uporabu.** Električni alati su opasni ako ih koriste neiskusne osobe.
 - e) **Redovno održavajte električne alate i pribor. Kontrolirajte da li pomični dijelovi uređaja besprijekorno rade i da nisu zaglavljivi, te da li su dijelovi polomljeni ili tako oštećeni da negativno djeluju na funkciju uređaja. Popravite oštećene dijelove prije uporabe uređaja.** Mnoge nezgode imaju svoj uzrok u loše održanim uređajima.
 - f) **Rezne alate održavajte ostrim i čistim.** Pažljivo održavani rezni alati s ostrim oštricama neće se zaglaviti i lakši su za vođenje.
 - g) **Koristite električne alate, pribor, radne alate, itd., prema navedenim uputama. Pri tome uzmite u obzir radne uvjete i radove koje se izvode.** Uporaba električnih alata za neke druge primjene različite od predviđenih, može doći do opasnih situacija.
 - h) **Ručke i zahvatne površine održavajte suhima, čistima i pazite da na njih ne dospiju ulje ili mast.** Skilske ručke i zahvatne površine onemogućuju sigurno rukovanje i alat se teško kontrolira u neočekivanim situacijama.
- #### 5) SERVISIRANJE
- a) **Popravak uređaja prepustite samo kvalificiranom stručnom osoblju i samo s originalnim rezervnim dijelovima.** Na taj će se način postići održanje stalne sigurnosti uređaja.

UPUTE ZA SIGURAN RAD S BRUSILICAMA

OPĆENITO

- Uređaj ne bi smjele koristiti osobe mlađe od 16 godina
- Ovaj je uređaj nije prikladan za moko brušenje
- Nikada ne upotrebljavajte alat ako je kabel oštećen; trebate ga zamijeniti posebno pripremljenim kabelom, pripremljenim u servisnoj službi.
- **Ne obrađujte materijal koji sadrži azbest** (azbest se smatra kancerogenim)
- **Prije svih radova održavanja, podešavanja ili izmjene alata i pribora treba izvući utikač iz mrežne utičnice**

PRIBOR

- SKIL može osigurati besprijekoran rad uređaja samo ako se koristi originalni pribor
- Ne koristiti više istrošene, napukle ili jako začepljene brusne papire

PRIJE UPORABE

- Uvijek provjerite je li napon napajanja isti kao onaj naveden na tipskoj pločici uređaja

- Izbjegavajte oštećenja od vijaka, čavala i sličnih predmeta na vašem izratku; prije početka rada ih izvadite
- Upotrebljavajte samo neodmotane i zaštićene produžne kabele kapaciteta 16 ampera
- Razina buke kod rada može premašiti 85 dB(A); nositi štitiče za sluh
- Prašina od materijala kao što su boje koje sadrže olovo, neke vrste drveća, minerali i metal mogu biti opasne (dodir s prašinom ili njeno udisanje mogu prouzročiti alergične reakcije i/ili respiratorna oboljenja rukovatelja ili posmatrača); **nosite masku za zaštitu od prašine i radite s uređajem za ekstrakciju prašine ukoliko ga možete priključiti**
- Određene vrste prašine klasificiraju se kao karcinogenske (kao što su prašina hrastovine i bukovine), osobito u sudejstvu s aditivima za kondicioniranje drveta; **nosite masku za zaštitu od prašine i radite s uređajem za ekstrakciju prašine ukoliko ga možete priključiti**
- Nacionalni uvjeti za materijale s kojima želite raditi
- Nosite zaštitne rukavice, zaštitne naočale, tijesno pripjenu odjeću i mrežicu za kosu (ako nosite dugu kosu)
- Kod brušenja metala dolazi do iskrenja; ne koristite dodatak za prašinu, a ostale osobe kao i zapaljive materijale držite dalje od radnog područja
- **Osigurajte izradak** (izradak je sigurnije pričvršćen pomoću stezaljke ili škripa nego da ga držite rukom)

TIJEKOM UPORABE

- Kabel uvijek držati dalje od rotirajućih dijelova uređaja; kabel povlačiti iza uređaja
- Ne dirati brusni papir koji je u pokretu
- U slučaju neuobičajenog ponašanja uređaja ili neobičnih šumova, uređaj treba odmah isključiti i izvući utikač iz mrežne utičnice
- Ako se tijekom rada priključni kabel ošteti ili odreže, ne dirati priključni kabel, nego odmah izvući mrežni utikač

NAKON UPORABE

- Čim se odmaknete od alata trebate ga isključiti, a pomični se dijelovi trebaju potpuno zaustaviti

POJAŠNJENJE SIMBOLA NA UREĐAJU

- ③ Prije upotrebe pročitajte korisnički priručnik
- ④ Dvostruka izolacija (dozemna žica nije potrebna)
- ⑤ Uređaj ne bacajte u kućni otpad

POSLUŽIVANJE

- Pričvršćenje brusnog papira ⑥
 - ! izvući mrežni utikač
 - ! za usisavanje prašine trebate perforirani brusni papir
 - ! rupe u perforiranom papiru trebaju se podudarati s onima za brusnu ploču
 - ! istrošeni brusni papir treba pravovremeno zamijeniti
 - ! uređaj koristite samo ako je kompletna površina brušenja pokrivena brusnim papirom
 - VELCRO brusni papir staviti kao na ilustraciji
- Usisavanje prašine
 - ! dodatak za prašinu/usisavač ne koristiti kod brušenja metala
 - Dodatak za prašinu ⑦
 - redovito prazniti dodatak za prašinu A jamči se optimalno usisavanje prašine
 - povucite kutiju za prašinu A prema natrag A i izvucite je

Kada se koristi usisavač prašine

- priključak usisavača prašine D montirati kako je prikazano ⑧a
- priključite crijevo usisavača na prilagodnik usisavača D ⑧b
- Prekidač za uključivanje/isključivanje
 - uključite/isključite alat pritiskom prekidača u položaj I/O
 - ! **prije nego što brusna površina trake dodirne izradak, uređaj se treba prvo uključiti**
 - ! **prije isključivanja alata, isti se treba skinuti sa izratka**
- Držanje i vođenje uređaja ⑨
 - ! **alat kod primjene, držati samo na sivo označenim područjima**
 - držite vaš uređaj paralelno s obrađivanom površinom
 - ! **kod obrade površine ne djelovati prevelikim pritiskom na uređaj**
 - ne nagibajte uređaj, na taj će se način izbjeći neželjeni tragovi brušenja
 - otvore za strujanje zraka C ② držite nepokriveno

SAVJETI ZA PRIMJENU

- Rabite alat za brušenje velikih površina, kutova i rubova ⑩
- Pomičite uređaj u ravnim uzdužnim pokretima
 - za brušenje neobrađenih površina drva
 - za posebno fino završno brušenje
- Nikada sa istom brusnom trakom ne obrađivati drvo i metal
- Preporučena zrnatost brusnog papira:
 - za skidanje stare boje i brušenje izuzetno hrapavog drva koristite hrapavi papir (zrnatost 40, 60)
 - za brušenje hrapavog ili sirovog drva koristite papir (zrnatost 80, 100, 120)
 - za ravnjanje drva ili površina prebojanih starom bojom kao i završnu obradu neobrađenog drva koristite glatki papir (zrnatost 180, 240, 320)
- Ako je obrađivana površina hrapava, koristite različite veličine zrnatosti:
 - u početku brusite s grubom i srednjom zrnatošću
 - završite sa finom zrnatošću
- Više informacija navedeno je na mrežnom mjestu www.skil.com

ODRŽAVANJE / SERVISIRANJE

- Ovaj uređaj nije namijenjen profesionalnoj upotrebi
- Održavajte čistim uređaj i kabel (osobito otvore za hlađenje C ②)
 - nakupljenu prašinu od brušenja očistiti četkom
 - ! **prije čišćenja treba izvući mrežni utikač**
- Ako bi uređaj unatoč brižljivih postupaka izrade i ispitivanja ipak prestao raditi, popravak treba prepustiti ovlaštenom servisu za SKIL električne alate
 - uređaj treba **nerastavljeno** predati, zajedno s računom o kupnji u najbližu SKIL ugovornu servisnu radionicu (popise servisa, kao i oznake rezervnih dijelova uređaja možete naći na adresi www.skil.com)
- Imajte na umu kako jamstvo ne obuhvaća štete nastale zbog preopterećenja ili nepravilnog rukovanja alatom (za uvjete iz SKIL jamstva, posjetite www.skil.com ili upitajte svog prodavača)

ZAŠTITA OKOLIŠA

- **Električne alate, pribor i ambalažu ne bacajte u kućni otpad** (samo za EU-države)
 - prema Europskoj direktivi 2012/19/EG o staroj električnoj i elektroničkoj opremi i njenoj primjeni u skladu sa nacionalnim zakonom, istrošeni električni alati moraju se sakupljati odvojeno i odvesti u posebne pogone za reciklažu
 - na to podsjeća simbol ⑤ kada se javi potreba za odlaganjem

BUKA / VIBRACIJA

- Mjerene u skladu s normom EN 62841, razina zvučnog tlaka ovoga alata je 73,0 dB(A), razina zvučne snage 84,0 dB(A) (nesigurnost K = 3 dB), a vibracija 4,1 m/s² (troaksijalna vektorska suma; nesigurnost K = 1,5 m/s²)
- Razina emitiranja vibracija izmjerena je sukladno normiranom testu danom u EN 62841; ona se može koristiti za usporedbu jedne alatke s drugom, te preliminarnu procjenu izloženosti vibracijama pri uporabi alatke za navedene namjene
 - uporaba ove alatke za druge namjene ili s drugim ili slabo održanim nastavcima, može u značajnoj mjeri **uvećati** razinu izloženosti
 - vrijeme tokom kojega je alatka isključena, ili je uključena ali se njome ne radi, može značajno **umanjiti** razinu izloženosti
- ! **zaštitite se od posljedica vibracija održavanjem alatke i njezinih nastavaka, održavanjem Vaših ruku toplima, te organiziranjem Vaših obrazaca rada**

(SRB)

Višenamenska
brusilica

7260

UPUTSTVO

- Ovaj alat je namenjen za suvo brušenje i finu obradu drveta, obojenih površina, plastike i materijala za ispunu
- Ovaj alat nije namenjen za profesionalnu upotrebu
- Pažljivo pročitajte i sačuvajte ova uputstva za rukovanje ③

TEHNIČKI PODACI ①

ELEMENTI ALATA ②

- A** Dodatak za prašinu
- B** Prekidač za uključivanje/isključivanje
- C** Prorezi za hlađenje
- D** Adapter za usisivač*

* NIJE UKLJUČENA U STANDARDNU PONUDU

SIGURNOST

OPŠTA SIGURNOSNA UPOZORENJA ZA ELEKTRIČNI ALAT

⚠ UPOZORENJE Pročitajte sva bezbednosna upozorenja, uputstva, ilustracije i specifikacije priložene uz ovaj električni alat. Ukoliko se ne slede sva

uputstva navedena u nastavku može doći do strujnog udara, požara i/ili ozbiljne povrede.

Sačuvajte sva upozorenja i uputstva za buduću upotrebu.

Pojam upotrebljen u upozorenjima "električni alat" odnosi se na električne alate sa radom na mreži (sa mrežnim kablom) i na električne alate sa radom na akumulator (bez mrežnog kabela).

1) SIGURNOST NA RADNOM MESTU

- a) **Držite Vaše područje rada čisto i pospremljeno.** Nered ili neosvetljena radna područja mogu voditi nesrećama.
- b) **Ne koristite električni alat tamo gde postoji opasnost od eksplozije kao npr. u prisustvu zapaljivih tečnosti, gasova ili prašine.** Električni alati proizvode varnice, koje mogu zapaliti prašinu ili isparenja.
- c) **Za vreme korišćenja električnog alata držite podalje decu i druge osobe.** Kod skretanja možete izgubiti kontrolu nad alatom.

2) ELEKTRIČNA SIGURNOST

- a) **Utička električnog alata mora odgovarati utičnici.** Nikada nemojte modifikovati utikač. Ne upotrebljavajte adaptere utikača sa uzemljenim električnim alatom. Nemodifikovani utikači i odgovarajuće utičnice smanjuju rizik od električnog udara.
- b) **Izbegavajte telesni kontakt sa uzemljenim gornjim površinama, kao što su cevi, grejanja, šporeti i rashladni ormani.** Postoji povećani rizik od električnog udara, ako je Vaše telo uzemljeno.
- c) **Ne izlazite električni alat kiši ili vlažnim uslovima.** Prodor vode u električni alat povećava rizik od električnog udara.
- d) **Ne zloupotrebljavajte kabl. Nikada nemojte koristiti kabl za nošenje i vučenje električnog alata ili za izvlačenje iz utičnice.** Držite kabl dalje od vreline, ulja, oštih ivica ili pokretnih delova. Oštećeni ili umršeni kablovi povećavaju rizik električnog udara.
- e) **Ako sa nekim električnim alatom radite u prirodi, upotrebljavajte samo produžne kablove koji su dozvoljeni za spoljno područje.** Upotreba produžnog kabela pogodnog za spoljno područje smanjuje rizik od električnog udara.
- f) **Ako rad električnog alata ne može da se izbegne u vlažnoj okolini, koristite prekidač strujne zaštite pri kvaru.** Upotreba prekidača strujne zaštite pri kvaru smanjuje rizik od električnog udara.

3) SIGURNOST OSOBA

- a) **Budite oprezni, pazite na to šta radite i razumno rukujte Vašim električnim alatom. Ne koristite električni alat dok ste umorni ili pod uticajem narkotika, alkohola ili lekova.** Momenat nepažnje kod upotrebe električnog alata može rezultirati ozbiljnim povredama.
- b) **Nosite ličnu zaštitnu opremu i uvek zaštitne naočare.** Nošenje lične zaštitne opreme, kao maske za prašinu, sigurnosne cipele koje ne klizaju, zaštitni šlem ili zaštitu za sluh, zavisno od vrste i upotrebe električnog alata, smanjujete rizik od povreda.

- c) **Sprečite nenamerno puštanje u rad. Pre priključivanja na struju i/ili na akumulatorsku bateriju, podizanja ili nošenja alata uverite se da je prekidač isključen.** Nošenje električnog alata sa prstom na prekidaču ili priključivanje na struju uključenog električnog alata vodi do nesreće.
 - d) **Uklonite bilo kakve ključeve za podešavanje ili ključeve za zavrtnjeve, pre nego što uključite električni alat.** Ostavljanje ključa za zavrtnjeve ili ključa prikačene na rotirajući deo električnog alata može rezultirati ličnom povredom.
 - e) **Ne zauzimajte neadekvatan položaj. Sve vreme držite ravnotežu i pravilan položaj nogu.** Ovo omogućava bolje upravljanje električnim alatom u neočekivanim situacijama.
 - f) **Nosite pogodno odelo. Ne nosite široko odelo ili nakit. Držite kosu i odeću dalje od pokretnih delova.** Opušteno odelo, nakit ili duža kosa mogu biti zahvaćeni od rotirajućih delova.
 - g) **Ako se mogu montirati uredjaji za usisavanje prašine i uredjaji za hvatanje prašine, uverite se da li su priključeni i ispravno koriste.** Upotreba usisavanja prašine može smanjiti opasnosti od prašine.
 - h) **Ne dozvolite da pouzdanje koje ste stekli čestom upotrebom alata utiče na to da postanete neoprezni i da zanemarite sigurnosne principe za upotrebu alata.** Neoprezno delovanje može prouzrokovati teške povrede u deliću sekunde.
- #### 4) BRIŽLJIVO OPHODJENJE I KORIŠĆENJE ELEKTRIČNIH ALATA
- a) **Ne preopterećujte električni alat. Koristite električni alat koji odgovara Vašoj primeni.** Sa odgovarajućim električnim alatom radite bolje i sigurnije tempom za koji je projektovan.
 - b) **Ne upotrebljavajte električni alat, čiji je prekidač u kvaru.** Električni alat koji više ne može da se uključi ili isključi je opasan i mora da se popravi.
 - c) **Izvučite utikač iz utičnice i/ili izvadite akumulatorsku bateriju, ukoliko je to moguće, iz električnog alata pre nego što izvršite bilo kakva podešavanja, promenu pribora ili pre nego što uskladištite električni alat.** Takve preventivne sigurnosne mere smanjuju rizik od slučajnog pokretanja električnog alata.
 - d) **Čuvajte električne alate koje ne koristite izvan domašaja dece i ne dozvoljavajte osobama, koje nisu upoznate sa ovim električnim alatom ili sa ovim uputstvima, da rukuju električnim alatom.** U rukama neobučanih korisnika električni alati postaju opasni.
 - e) **Održavajte električni alat i pribore. Proverite da li su pokretni delovi u ravni i da li negde zapinju, da nije došlo do lomljenja delova i svako drugo stanje koje može uticati na rad električnog alata. Ukoliko je oštećen, odnesite električni alat na popravku pre korišćenja.** Mnoge nesreće su prouzrokovane lošim održavanjem električnih alata.
 - f) **Držite alat za sečenje oštre i čiste.** Brižljivo negovani alati za sečenje sa oštirim sečivima manje spleljaju i lakše se vode.
 - g) **Upotrebljavajte električne alate, pribor, alate koji se umeću itd. prema ovim uputstvima. Obratite pažnju pritom na uputstva za rad i posao koji treba izvesti.** Upotreba električnih alata za druge od propisanih namena može voditi opasnim situacijama.

- h) **Održavajte drške i prihvatne površine suvim, čistim i bez ostataka ulja ili masnoće.** Klizave drške ili prihvatne površine ne omogućavaju bezbedno rukovanje i upravljanje alatom u neočekivanim situacijama.

5) SERVISIRANJE

- a) **Vaš električni alat dajte na servisiranje samo kvalifikovanom licu za popravku, koristeći pritom samo identične rezervne delove.** Ovo će osigurati očuvanje bezbednosti električnog alata.

UPUTSTVA O SIGURNOSTI SA BRUSILICOM

OPŠTA

- Ovaj alat ne treba da koriste osobe ispod 16 godina
- Ovaj alat nije podesan za mokro brušenje
- Nikada nemojte koristiti alat kada je kabl oštećen; on mora da se zameni posebnim kablom koji je dostupan u servisnoj organizaciji.
- **Ne obradjujte nikakav materijal koji sadrži azbest** (azbest važi kao izazivač raka)
- **Obavezno iskopčajte alat iz električne utičnice pre nego što izvršite bilo kakva podešavanja ili zamenu pribora**

PRIBOR

- SKIL može priznati garanciju samo ukoliko je korišćen originalni pribor
- Nemojte da koristite istrošen, pohaban ili veoma zapušten brusni papir

PRE UPOTREBE

- Uvek se uverite da je napon struje isti kao i napon naveden na pločici sa nazivom alatu
- Izbegavajte oštećenja od šrafova, eksera i drugih predmeta na vašem području rada; uklonite ih pre nego što započnete rad
- Produžni kabl koji koristite mora da bude sasvim odmotan i siguran, sa kapacitetom od 16 A
- Buka koju alat proizvodi tokom rada može da premaši 85 dB(A); nosite zaštitu za sluh
- Prašina od materijala, kao što su boja koja sadrži olovo, neke vrste drveta, minerali i metal, može biti opasna (dodir ili udisanje prašine može prouzrokovati alergijske reakcije i/ili respiratorna oboljenja rukovaoca i lica u blizini); **nosite masku protiv prašine i radite uz uključeni uređaj za ekstrakciju prašine kada radite na mestima gde ju je moguće priključiti**
- Određene vrste prašine su klasifikovane kao kancerogene (kao što su prašina hrastovine i bukovine), posebno u sadejstvu sa aditivima za pripremu drveta; **nosite masku protiv prašine i radite uz uključeni uređaj za ekstrakciju prašine kada radite na mestima gde ju je moguće priključiti**
- Prati nacionalne propise vezane za prašinu koja se proizvodi prilikom rada na obrađivanim materijalima
- Nosite zaštitne rukavice, zaštitne naočari, odeću pripijenu uz telo i zaštitu za kosu (ukoliko je dugačka)
- Kod brušenja metala, dolazi do varničenja; nemojte da koristite dodatak za prašinu, a ostale osobe i zapaljivi materijali treba da budu dalje od područja rada
- **Obezbedite radni predmet** (radni predmet stegnut pomoću stega ili nečeg sličnog je mnogo stabilniji nego kada se drži rukom)

TOKOM UPOTREBE

- Kabl uvek držite podalje od pokretnih delova alata; uvek ga treba držati iza alata

- Nemojte da dirate brusni papir koji je u pokretu
- U slučaju da dođe do električnog ili mehaničkog kvara, odmah isključite alat i iskopčajte ga iz utičnice
- Ako se kabl ošteći ili preseče u toku rada, odmah ga iskopčajte i nemojte ga dodirivati

NAKON UPOTREBE

- Kada završite rad sa alatom, isključite motor i proverite da li su se zaustavili svi pokretni delovi

OBJAŠNJENJE SIMBOLA NA ALATU

- ③ Pročitajte uputstvo za korišćenje pre prve upotrebe
- ④ Dvostruka izolacija (nije potrebna žica za uzemljenje)
- ⑤ Alat ne odlažite u kućne otpatke

UPUTSTVO ZA KORIŠĆENJE

- Postavljanje brusnog papira ⑥
 - ! **iskopčajte utikač**
 - ! **za usisavanje prašine je potreban perforirani brusni papir**
 - ! **perforacija brusnog papira treba da se podudara sa perforacijom brusne ploče**
 - ! **pravovremeno zamenite istrošen brusni papir**
 - ! **čitava površina brušenja treba da bude prekrivena brusnim papirom kada koristite alat**
 - postavite VELCRO brusni papir kao što je prikazano na slici
- Usisavanje prašine
 - ! **nemojte da koristite dodatak za prašinu/usisivač kada brusite metal**
 - Dodatak za prašinu ⑦
 - radi optimalnog usisavanja prašine redovno praznite dodatak za prašinu A
 - uklonite dodatak za prašinu A povlačeći ga A unazad
 - Ako želite da koristite usisivač
 - montirajte adapter za usisivač D kao što je prikazano na slici ⑧a
 - povežite crevo usisivača na adapter za usisivač D ⑧b
- Prekidač za uključivanje/isključivanje
 - uključite/isključite alat pritiskajući prekidač za uključeno/isključeno
 - ! **alat treba da uključite pre nego što brusna površina dodirne područje rada**
 - ! **uređaj treba da ga podignete sa područja rada pre nego što ga isključite**
- Držanje i upravljanje alata ⑨
 - ! **dok radite, uvek držite alat za mesto(a) koje(a) su označena sivom bojom**
 - držite alat paralelno sa površinom koju obrađujete
 - ! **nemojte mnogo da pritiskate električni alat na površinu za brušenje**
 - nemojte da naginjete alat, da biste izbegli pojavljivanje neželjenih tragova brušenja
 - prerezi za hlađenje C ② moraju da budu otvoreni

SAVETI ZA PRIMENU

- Koristite alat za brušenje velikih površina, uglova i ivica ⑩
- Pomerajte alat ravnomernim pokretima u liniji sa ivicom
 - za brušenje drvenih površina
 - za ekstra finu završnu obradu
- Nemojte nikada da koristite isti brusni list za drvo i metal
- Preporučena zrnastost brusnog papira:
 - za uklanjanje boje, a za brušenje veoma hrapavog

- drveta koristite brusni papir grube zrnatosti (40, 60)
- za brušenje hrapavog ili sirovog drveta koristite brusni papir srednje zrnatosti (80, 100, 120)
- za glačanje drveta i površina sa starom bojom kao i za fino obradu neobrađenog drveta koristite brusni papir fine zrnatosti (180, 240, 320)
- Koristite različit stepen zrnatosti kada je površina za obradu hrapava:
 - brušenje započnite papirom sa grubom ili srednjom zrnatošću
 - završite papirom sa finom zrnatošću
- Za više informacija pogledajte www.skil.com

ODRŽAVANJE / SERVIS

- Ovaj alat nije namenjen za profesionalnu upotrebu
- Alat i kabl uvek održavajte čistim (posebno otvore za hlađenje C ②)
 - četkicom uklonite nakupljenu prašinu od brušenja
- ! **pre čišćenja iskopčajte kabl iz utičnice**
- Ako bi alat i pored brižljivog postupka izrade i kontrole nekada otkazao, popravku mora vršiti neki autorizovani servis za SKIL-električne alate
 - pošaljite **nerastavljeni** alat zajedno sa potvrdom o kupovini vašem nabavljaču ili najbližem SKIL servisu (adrese i oznake rezervnih delova možete naći na www.skil.com)
- Imajte na umu da za oštećenja nastala usled preopterećivanja ili nepravilnog rukovanja neće važiti garancija (za uslove SKIL garancije posetite www.skil.com ili pitajte svog prodavca)

ZAŠTITA OKOLINE

- **Električne alate, pribora i ambalaže ne odlažite u kućne otpatke** (samo za EU-države)
 - prema Evropskoj direktivi 2012/19/EG o staroj električnoj i elektronskoj opremi i njenoj upotrebi u skladu sa nacionalnim pravom, električni alati koji su istrošeni moraju biti sakupljeni odvojeno i dostavljeni pogonom za reciklažu
 - simbol ⑤ će vas podsetiti na to

BUKA / VIBRACIJE

- Izmeren u skladu sa standardom EN 62841 nivo pritiska zvuka ovog alata je 73,0 dB(A) a nivo jačine zvuka 84,0 dB(A) (neizvesnost K = 3 dB), i vibracija 4,1 m/s² (troosni vektorski zbir; neizvesnost K = 1,5 m/s²)
- Nivo emisije vibracija izmeren je u skladu sa standardizovanim testom datim u EN 62841; on se može koristiti za upoređenje jedne alatke sa drugom, kao i za preliminarnu procenu izloženosti vibracijama pri korišćenju ove alatke za pomenute namene
 - korišćenje alatke u drugačije svrhe ili sa drugačijim ili slabo održavanim nastavcima može značajno **povećati** nivo izloženosti
 - vreme kada je alatka isključena ili kada je uključena, ali se njome ne radi, može značajno **smanjiti** nivo izloženosti
- ! **zaštitite se od posledica vibracija održavanjem alatke i njenih nastavaka, održavajući Vaše ruke toplim i organizovanjem Vaših radnih obrazaca**

Univerzalni brusilnik

7260

UVOD

- To orodje je namenjeno za suho brušenje in končni obdelavi lesa, barvanih površin, plastike in polniln
- Orodje ni namenjeno profesionalni uporabi
- Preberite in shranite navodila za uporabo ③

TEHNIČNI PODATKI ①

DELI ORODJA ②

- A Dodatek za prah
 - B Stikalo vklopi/izklopi
 - C Ventilacijske reže
 - D Adapter za sesalnik*
- * NI DEL STANDARNE OPREME

VARNOST

SPLOŠNA VARNOSTNA OPOZORILA ZA ELEKTRIČNA ORODJA

⚠ OPOZORILO Preberite vsa varnostna opozorila, navodila in tehnične podatke ter si oglejte slike, ki so priloženi temu električnemu orodju. Neupoštevanje spodaj navedenih navodil se lahko odrazi v električnem udaru, požaru in/ali hudih poškodbah.

Vsa opozorila in navodila shranite, saj jih boste v prihodnosti morda potrebovali.

Pojem "električno orodje", ki se pojavlja v nadaljnjem besedilu, se nanaša na električna orodja z električnim pogonom (z električnim kablom) in na akumulatorska električna orodja (brez električnega kabla).

1) VARNOST NA DELOVNEM MESTU

- a) **Poskrbite, da bo Vaše delovno mesto vedno čisto in urejeno.** Nered ali neosvetljena delovna področja lahko povzročijo nezgode.
- b) **Prosimo, da orodja ne uporabljate v okolju, kjer je nevarnost za eksplozije in v katerem se nahajajo gorljive tekočine, plini in prah.** Električna orodja povzročajo iskre, zato se gorljivi prah ali pare lahko vnamejo.
- c) **Ne dovolite otrokom in drugim osebam, da bi se medtem ko delate, približali električnemu orodju.** Druge osebe lahko odvrnejo Vašo pozornost drugam in izgubili boste nadzor nad orodje.

2) ELEKTRIČNA VARNOST

- a) **Vtič mora ustrezati električni vtičnici in ga pod nobenim pogojem ne smete spreminjati.** Uporaba adapterskih vtičev v kombinaciji z ozemljena orodja ni dovoljena. Originalni oziroma nespremenjeni vtiči in ustrezne vtičnice zmanjšujejo tveganje električnega udara.

- b) **Izogibajte se telesnemu stiku z ozemljenimi površinami, na primer s cevmi, grelci, štedilniki in hladilniki.** Če je ozemljeno tudi vaše telo, obstaja povečano tveganje električnega udara.
- c) **Zavarujte orodje pred dežjem ali vlago.** Vdor vode v električno orodje povečuje tveganje električnega udara.
- d) **Električnega kabla ne uporabljajte za prenašanje ali obešanje orodja in ne vlečite vtič iz vtičnice tako, da vlečete za kabel.** Zavarujte kabel pred vročino, oljem, ostrimi robovi in premikajočimi se deli orodja. Poškodovani ali prepleteni kabli povečujejo tveganje električnega udara.
- e) **Če z električnim orodjem delate na prostem, uporabljajte izključno kabelski podaljšek, ki je atestiran za delo na prostem.** Uporaba kabelskega podaljška, primernega za delo na prostem, zmanjšuje tveganje električnega udara.
- f) **Če je uporaba električnega orodja v vlažnem okolju neizogibna, uporabljajte prekinjevalec električnega tokokroga.** Prekinjevalca električnega tokokroga zmanjšuje tveganje električnega udara.

3) OSEBNA VARNOST

- a) **Bodite zbrani in pazite, kaj delate.** Dela z električnim orodjem se lotite razumno. Nikoli ne uporabljajte orodja, če ste utrujeni in če ste pod vplivom mamil, alkohola ali zdravil. En sam trenutek nepazljivosti pri uporabi orodja ima lahko za posledico resne telesne poškodbe.
- b) **Uporabljajte osebna zaščitna sredstva in vedno nosite zaščitna očala.** Uporaba osebnih zaščitnih sredstev, na primer maske proti prahu, nedrsečih zaščitnih čevljev, zaščitne čelade in slušnikov, odvisno od vrste in uporabe električnega orodja, zmanjšuje tveganje telesnih poškodb.
- c) **Izogibajte se nenamernemu zagonu. Pred priključitvijo električnega orodja na električno omrežje in/ali na akumulator in pred dviganjem ali nošenjem se prepričajte, če je električno orodje izklopljeno.** Prenašanje naprave s prstom na stikalu ali priključitev vklopljenega električnega orodja na električno omrežje je lahko vzrok za nezgodo.
- d) **Pred vklopom orodja odstranite z nje nastavitvena orodja ali vijačni ključ.** Orodje ali ključ, ki se nahajata na vrtečem se delu električnega orodja, lahko povzročita nezgodo.
- e) **Ne precenjujte se in poskrbite za varno stojišče in stalno ravnotežje.** Tako boste lahko v nepričakovani situaciji bolje obvladali orodje.
- f) **Oblecite se primerno. Ne nosite ohlapnih oblačil ali nakita.** Las in oblačil ne približujte premikajočim se delom. Ohlapna oblačila, nakit ali dolgi lasje se lahko ujamejo v premikajoče se dele.
- g) **Če je možno na orodje namestiti priprave za odsesavanje in prestrezanje prahu, prepričajte se, ali so le-te priključene in, če jih pravilno uporabljate.** Uporaba priprave za odsesavanje prahu zmanjšuje zdravstveno ogroženost zaradi prahu.
- h) **Naj seznanjenost z orodjem, ki jo pridobite s pogosto uporabo, ne bo razlog za to, da postanete lahkomišeln in ignorirate varnostna načela.** V delčku sekunde lahko nepozorno dejanje pripelje do hude poškodbe.

4) RAVNANJE IN NEGA ROČNEGA ORODJA

- a) **Ne preobremenjujte orodja. Za določeno delo uporabljajte električno orodje, ki je predvideno za opravljanje tega dela.** Ustreznim električnim orodjem boste delo opravili bolje in varneje, ker je bilo v ta namen tudi konstruirano.
- b) **Električno orodje, ki ima pokvarjeno stikalo, ne uporabljajte.** Električno orodje, ki ga ni možno vklopiti ali izklopiti, je nevarno in ga je potrebno popraviti.
- c) **Izvlčite vtič iz vtičnice in/ali odstranite akumulatorsko baterijo, če jo je mogoče izvzeti, še preden orodje popravljate, menjujete pribor ali ga shranite.** Ti preventivni varnostni ukrepi zmanjšajo tveganje za nenamenski zagon orodja.
- d) **Kadar orodja ne uporabljate ga shranjujte izven dosega otrok. Osebam, ki orodja ne poznajo ali niso prebrale teh navodil, orodja ne dovolite uporabljati.** Električna orodja so nevarna, če jih uporabljajo neizkušene osebe.
- e) **Vzdržujte električna orodja in pribor. Preverite, če premikajoči se deli orodja delujejo brezhibno in če se ne zatikajo, oziroma, če kakšen del orodja ni zlomljen ali poškodovan do te mere, da bi oviral njegovo delovanje. Pred nadaljnjo uporabo je potrebno poškodovani del popraviti.** Vzrok za številne nezgode so ravno slabo vzdrževana električna orodja.
- f) **Rezalna orodja naj bodo ostra in čista.** Skrbno negovana rezalna orodja z ostrimi rezili se manj zatikajo in so bolj vodljiva.
- g) **Električna orodja, pribor, nastavke in podobno uporabljajte v skladu s temi navodili. Pri tem upoštevajte delovne pogoje in vrsto dela, ki ga nameravate opraviti.** Zaradi uporabe električnega orodja v druge, nepredvidene namene, lahko nastanejo nevarne situacije.
- h) **Ročaji in površine za prijemanje naj bodo suhe, čiste in brez olja ali maščobe.** Gladki ročaji in površine za prijemanje ne omogočajo varne uporabe in nadzora orodja v nepričakovanih situacijah.

5) SERVISIRANJE

- a) **Popravilo orodja lahko opravi samo usposobljena strokovna oseba in to izključno z originalnimi nadomestnimi deli.** Le tako bo ohranjena nadaljnja varnost orodja.

VARNOSTNA NAVODILA ZA UPORABO BRUSILNIKA

SPLOŠNO

- Orodja naj ne bi uporabljale osebe mlajše od 16 let
- To orodje ni primerno za uporabo v mokrih okoljih
- Orodja ne smete nikoli uporabljati s poškodovanim kablom. Kabel morate zamenjati s posebej pripravljenim kablom, ki je na voljo pri servisnem podjetju.
- **Ne obdelujte materiala, ki vsebuje azbest** (azbest povzroča rakasta obolenja)
- **Vedno izvlčite električni vtič iz vtičnice preden spreminjate nastavitve ali menjate pribor**

PRIBOR

- SKIL zagotavlja brezhibno delovanje orodja le z uporabo originalnega dodatnega pribora
- Ne uporabljajte izbrbljenih in raztrganih brusnih papirjev, ki so že močno grudasti

PRED UPORABO

- Vedno preverite, če je napetost omrežja enaka napetosti, ki je navedena na tablici orodja
- Izogibajte se poškodb zaradi vijakov, žebeljev ali drugih elementov v obdelovancu; odstranite jih pred začetkom dela
- Uporabljajte povsem iztegnjene in varne električne podaljške, z jakostjo 16 amperov
- Med delom lahko nivo hrupa presega 85 dB(A); uporabljajte zaščito proti hrupu
- Prah materialov, kot so barve, ki vsebujejo svinec, nekatere vrste lesa, mineralov ali kovin so lahko škodljivi (ob stiku ali vdihavanju lahko prah pri delavcu ali pri drugih prisotnih povzroči alergijsko reakcijo in/ali boleznih dihal); **nosite masko za prah in pri delu uporabljajte napravo za odsesavanje prahu, kjer je le-to možno priključiti**
- Nekatere vrste prahu so klasificirane kot kancerogene (kot npr. prah hrasta in bukke) še posebno ob sočasnih uporabi z dodatki za obdelavo lesa; **nosite masko za prah in pri delu uporabljajte napravo za odsesavanje prahu, kjer je le-to možno priključiti**
- Upošteвайте nacionalne zahteve glede prahu za materiale katere želite obdelovati
- Uporabljajte zaščitne rokavice, zaščitna očala, tesno oprijeta oblačila in zaščito za lase (velja za dolge lase)
- Pri brušenju kovinskih delov se iskri; ne uporabljajte dodatka za prah, z delovnega področja odstranite vnetljive materiale in ne dovolite, da se področju dela približujejo druge osebe
- **Zavarujte obdelovanec** (obdelovanec stisnjen v prižemi ali primežu je bolj varen kot v roki)

MED UPORABO

- Kabel naj bo vedno odmaknjen od gibljivih delov stroja; usmerite ga proti zadnjemu delu, stran od stroja
- Ne dotikajte se premikajoče se brusnega papirja
- Če pride do električnih ali mehanskih okvar, takoj izklopite stroj in izvlecite vtiak iz vtičnice
- Če je priključni kabel poškodovan ali se med delom pretрга se ga ne dotikajte, temveč takoj potegnite električni vtiak iz vtičnice

PO UPORABI

- Ko orodje postavite vstran, izklopite motor in pazite, da se vsi premikajoči se deli orodja popolnoma zaustavijo

POJASNILO OZNAK NA ORODJU

- ③ Pred uporabo preberite navodila za uporabo
- ④ Dvojna izolacija (ozemljitveni kabel ni potreben)
- ⑤ Orodja ne odstranjujte s hišnimi odpadki

UPORABA

- Namestitvev brusnega papirja ⑥
 - ! **izključite vtiak**
 - ! **za sesanje prahu potrebujete perforiran brusni papir**
 - ! **perforirani deli na brusnem papirju bi se morali ujemati s perforiranimi deli na brusni plošči**
 - ! **pravočasno zamenjajte brusne papirje**
 - ! **vedno uporabljajte orodje tako, da je celotna brusna površina prekrita z brusnim papirjem**
 - namestite brusni papir VELCRO, kot kaže slika
 - Odsesavanje prahu
 - ! **dodatka za prah/sesalnika ne uporabljajte pri brušenju kovine**
- Dodatek za prah ⑦

- redno praznite dodatek za prah A za najboljše delovanje
 - odstranite dodatek za prah A tako, da ga povlečete A nazaj
- Pri uporabi sesalnika
- namestite adapter za sesalnik D, kot je prikazano ⑧a
 - priključite cev sesalnika na adapter za sesalnik D ⑧b
- Stikalo vklopi/izklopi
 - vklopite/izklopite orodje tako, da pritisnete stikalo ali ga izvlečete
- ! orodje bi morali vklopiti, preden se z brusno površino dotaknete predmeta, ki ga obdelujete**
- ! preden orodje izklopite, bi ga morali odmakniti od predmeta, ki ga obdelujete**
- Držanje in vodenje orodja ⑨
 - ! **med delom vedno držite orodje za sivo obarvano mesto oprijema**
 - orodje naj teče vzporedno z delovno površino
 - ! **na brusilnik ne pritisnite premočno; naj to namesto vas naredi brusna površina**
 - da bi se izognili neželenim brusnim madežem, orodja med delom ne nagibajte
 - ventilacijske reže C ② morajo biti nepokrite

UPORABNI NASVETI

- Uporabljajte orodje za brušenje velikih površin, vogalov in robov ⑩
- Vodite orodje z ravnimi pomiki vzdolž strukture (vlaknen) obdelovanca
 - za brušenje surovih lesenih površin pred končno obdelavo
 - za fino končno brušenje
- Nikoli ne uporabljajte istega brusnega papirja za les in kovino
- Priporočljiva zrnatost brusnega papirja:
 - za odstranjevanje barve in za brušenje izredno trdega lesa uporabite brusni papir grobe zrnatosti (40, 60)
 - za brušenje hrapavega ali gladkega lesa uporabite brusni papir srednje zrnatosti (80, 100, 120)
 - za glajenje lesa in površin s staro barvo ter za končno obdelavo surovega lesa uporabite brusni papir fine zrnatosti (180, 240, 320)
- Če je delovna površina hrapava, uporabljajte različno zrnatost brusnega papirja:
 - začnite brusiti z brusnim papirjem grobe ali srednje grobe zrnatosti
 - zaključite z brusnim papirjem fine zrnatosti
- Za več informacij obiščite spletno stran www.skil.com

VZDRŽEVANJE/SERVISIRANJE

- Orodje ni namenjeno profesionalni uporabi
- Priključni kabel in orodje naj bosta vedno čista (posebej še prezračevalne odprtine C ②)
 - brusni prah odstranjujte s ščetko
- ! **izvlecite vtiak iz vtičnice pred čiščenjem**
- Če bi kljub skrbnim postopkoma izdelave in preizkušanja prišlo do izpada delovanja orodja, naj popravilo opravi servisna delavnica, pooblaščen za popravila SKILevih električnih orodij
 - pošljite **nerazstavljeno** orodje skupaj s potrdilom o nakupu pri vašemu prodajalcu v najbližjo SKIL servisno delavnico (naslovi, kot tudi spisek rezervnih delov se nahaja na www.skil.com)

- Zavedajte se, da garancija ne vključuje poškodb zaradi preobremenitve orodja ali nepravilne rabe (glede SKILovih garancijskih pogojev obiščite www.skil.com ali povprašajte prodajalca)

OKOLJE

- **Električnega orodja, pribora in embalaže ne odstranjujte s hišnimi odpadki** (samo za države EU)
 - v skladu z Evropsko direktivo 2012/19/EG o odpadni električni in elektronski opremi in z njenim izvajanjem v nacionalni zakonodaji je treba električna orodja ob koncu njihove življenjske dobe ločeno zbirati in jih predati v postopek okolju prijaznega recikliranja
 - ko je potrebno odstranjevanje, naj vas o načinu spomni simbol ⑤

HRUP / VIBRACIJA

- Raven zvočnega tlaka tega orodja, ki je bila izmerjena v skladu s standardom EN 62841, je 73,0 dB(A), raven zvočne moči je 84,0 dB(A) (odstopanje K = 3 dB), skupne vrednosti vibracij 4,1 (triosna vektorska vsota; odstopanje K = 1,5 m/s²)
- Raven oddajanja vibracij je bila izmerjena v skladu s standardiziranimi testi, navedenimi v EN 62841; uporabiti jo je mogoče za primerjavo različnih orodij med seboj in za predhodno primerjavo izpostavljenosti vibracijam pri uporabi orodja za namene, ki so omenjeni
 - uporaba orodja za drugačne namene ali uporaba skupaj z drugimi, slabo vzdrževanimi nastavki lahko znatno **poveča** raven izpostavljenosti
 - čas, ko je orodje izklopljeno ali ko teče, vendar z njim ne delamo, lahko znatno **zmanjša** raven izpostavljenosti
- ! **pred posledicami vibracij se zaščitite z vzdrževanjem orodja in pripadajočih nastavkov, ter tako, da so vaše roke tople, vaši delovni vzorci pa organizirani**

EST

Mitmeotstarbeline **7260**
lihvmasin

SISSEJUHATUS

- See tööriist on ette nähtud puidu, värvitud pindade, plastmaterjalist pindade ja pahtliseguga kaetud pindade kuivilhvimiseks ja pinnaviimistluseks
- Tööriist pole mõeldud professionaalseks kasutamiseks
- Palun lugege käesolev kasutusjuhend hoolikalt läbi ja hoidke alles ③

TEHNILISED ANDMED ①

SEADME OSAD ②

- A Tolmukott
- B Töölülit (sisse/välja)
- C Ohutusavad
- D Tolmuimejadapter*

* EI KUULU STANDARDKOMPLEKTI

OHUTUS

ÜLDISED OHUTUSNÕUDED ELEKTRILISTE TÖÖRIISTADE KASUTAMISEL

- ⚠ **HOIATUS** Lugege kõiki hoiatusi, juhiseid, kirjeldusi ja spetsifikatsioone, mis käivad tööriistaga kaasas. Kui kõiki allpool loetletud juhiseid ei õnnestu järgida, võite saada elektrilöögi, võib tekkida tulekahju ja/või saada raskelt vigastada.

Hoidke kõik ohutusnõuded ja juhised edaspidiseks alles.

Allpool kasutatud mõiste "elektriline tööriist" käib võrgutoitega (toitejuhtmega) elektriliste tööriistade ja akutoitega (ilma toitejuhtmeta) elektriliste tööriistade kohta.

1) OHUTUSNÕUDED TÖÖPIIRKONNAS

- a) **Hoidke töökoht puhas ja korras.** Segadus või valgustamata tööpiirkonnad võivad põhjustada õnnetusi.
- b) **Ärge kasutage seadet plahvatusohtlikus keskkonnas, kus leidub tuleohtlike vedelikke, gaase või tolmu.** Elektrilistest tööriistadest lööb sädemeid, mis võivad tolmu või aurd süüdata.
- c) **Kui kasutate elektrilist tööriista, hoidke lapsed ja teised isikud töökohast eemal.** Kui Teie tähelepanu kõrvale juhitakse, võib seade Teie kontrolli alt väljuda.

2) ELEKTRIOHUTUS

- a) **Seadme pistik peab pistikupesaga sobima. Pistiku kallal ei tohi teha mingeid muudatusi. Ärge kasutage kaitsemaandusega seadmete puhul adapterpistikuid.** Muutmata pistikud ja sobivad pistikupesad vähendavad elektrilöögi saamise riski.
 - b) **Vältige kehakontakti maandatud pindadega, nagu torud, radiaatorid, pliivid ja külmikud.** Kui Teie keha on maandatud, on elektrilöögi risk suurem.
 - c) **Hoidke seadet vihma ja niiskuse eest.** Kui elektriseadmesse on sattunud vett, on elektrilöögi saamise risk suurem.
 - d) **Ärge kasutage toitejuhet selleks mitte ettenähtud otstarbel seadme kandmiseks, ülesriputamiseks ega pistiku pistikupesast väljatõmbamiseks. Hoidke toitejuhet kuumuse, õli, teravate servade ja seadme liikuvate osade eest.** Kahjustatud või keerduläinud toitejuhtmed suurendavad elektrilöögi saamise riski.
 - e) **Kui töötate elektrilise tööriistaga vabas õhus, kasutage ainult selliseid pikendusjuhtmeid, mida on lubatud kasutada ka välistingimustes.** Välistingimustes kasutamiseks sobiva pikendusjuhtme kasutamine vähendab elektrilöögi saamise riski.
 - f) **Kui elektrilise tööriista kasutamine niiskes keskkonnas on vältimatu, kasutage maandusega lekkevolukaitset. Maandusega lekkevolukaitse kasutamine vähendab elektrilöögi ohtu.**
- ### 3) INIMESTE TURVALISUS
- a) **Olge tähelepanelik, jälgige, mida Te teete, ning toimige elektrilise tööriistaga töötades mõistlikult. Ärge kasutage seadet, kui olete väsinud või uimastite, alkoholi või ravimite mõju all.** Hetkeline tähelepanematus seadme kasutamisel võib põhjustada tõsisemaid vigastusi.
 - b) **Kandke isikukaitsevahendeid ja alati kaitseprille.**

Isikukaitsevahendite, nagu tolmu- ja libesemiskindlad turvajalatsid, kaitsekiiver või kuulmiskaitsevahendid, kandmine – sõltuvalt elektrilise tööriista tüübist ja kasutusala – vähendab vigastuste riski.

- c) **Vältige seadme tahtmatut käivitamist. Enne pistiku ühendamist pistikupesast, aku ühendamist seadme külge, seadme ülestõstmist ja kandmist veenduge, et elektriline tööriist on välja lülitatud.** Kui hoiate elektrilise tööriista kandmisel sõrme lülil või ühendate vooluvõrku sisselülitatud seadme, võivad tagajärjeks olla õnnetused.
- d) **Enne seadme sisselülitamist eemaldage selle küljest reguleerimis- ja mutrivõtmed.** Seadme pöörleva osa küljes olev reguleerimis- või mutrivõti võib põhjustada vigastusi.
- e) **Ärge hinnake end üle. Võtke stabiilne töösensid ja hoidke kogu aeg tasakaalu.** Nii saate seadet ootamatutes olukordades paremini kontrollida.
- f) **Kandke sobivat rõivastust. Ärge kandke laiu riideid ega eteide. Hoidke juuksed ja rõivad seadme liikuvatest osadest eemal.** Lotendavad riided, eted või pikad juuksed võivad sattuda seadme liikuvate osade vahele.
- g) **Kui on võimalik paigaldada tolmuemaldus- ja tolmu kogumisseadiseid/seadmeid, veenduge, et need oleksid seadmega ühendatud ja et need kasutataks õigesti.** Tolmuemaldusseadise kasutamine vähendab tolmu põhjustatud ohte.
- h) **Ärge muutuge tööriista sagedasest kasutamisest hooletuks ja ärge eirake ohutusnõudeid.** Hooletus võib sekundi murdosa jooksul kaasa tuua raskeid vigastusi.
- 4) **ELEKTRILISTE TÖÖRIISTADE HOOLIKAS KÄSITSEMINE JA KASUTAMINE**
- a) **Ärge koormake seadet üle. Kasutage töö tegemiseks selleks ettenähtud elektrilist tööriista.** Sobiva elektrilise tööriistaga töötate paremini ja turvalisemalt ettenähtud võimsusvahemikus.
- b) **Ärge kasutage elektrilist tööriista, mille lüliti on rikkis.** Elektriline tööriist, mida ei ole enam võimalik sisse ja välja lülitada, on ohtlik ning seda tuleb remontida.
- c) **Tõmmake pistik pistikupesast välja ja/või eemaldage seadmest aku, kui on eemaldatav, enne seadme reguleerimist, tarvikute vahetamist ja seadme ärapanekut.** See ettevaatusabinõu väldib seadme tahtmatut käivitamist.
- d) **Kasutusvälisel ajal hoidke elektrilist tööriista lastele kättesaamatult. Ärge laske seadist kasutada isikutel, kes seda ei tunne või pole siintoodud juhiseid lugenud.** Kogenematute kasutajate käes kujutavad elektrilised tööriistad ohtu.
- e) **Hoolitsege elektriliste tööriistade ja tarvikute eest korralikult. Kontrollige, kas seadme liikuvad osad funktsioneerivad korralikult ja ei kiildu kinni, ning ega mõned osad ei ole katki või sel määral kahjustatud, et võiksid mõjutada seadme töökindlust. Laske kahjustatud osad enne seadme kasutamist parandada.** Paljude õnnetuste põhjuseks on halvasti hooldatud elektrilised tööriistad.
- f) **Hoidke lõiketarvikud teravad ja puhtad.** Hoolikalt hoitud, teravate lõikeservadega lõiketarvikud kiilduvad harvemini kinni ja neid on lihtsam juhtida.
- g) **Kasutage elektrilist tööriista, lisavarustust,**

tarvikuid jne vastavalt siintoodud juhistele.

Arvestage seejuures töötingimuste ja teostatava töö iseloomuga. Elektriliste tööriistade kasutamine mitte ettenähtud otstarbel võib põhjustada ohtlikke olukordi.

- h) **Hoidke käepidemed ja haardepinnad kuiva ja puhtana ning vabana õlist ja määrdeainetest.** Libedad käepidemed ja haardepinnad ei luba tööriista ohutult käsitseda ja ootamatutes olukordades kontrolli all hoida.

5) TEENINDUS

- a) **Laske seadet parandada ainult kvalifitseeritud spetsialistidel ja ainult originaalvaruosadega.** Nii tagate seadme püsimise turvalisena.

OHUTUSJUHISED LIHVMAŠINATE KOHTA

ÜLDIST

- Tööriista kasutaja peab olema vähemalt 16 aastat vana
- See tööriist ei sobi märglihvimiseks
- Ärge kasutage kunagi tööriista, kui juhe on kahjustatud; see tuleb välja vahetada spetsiaalse juhtme vastu, mille saate hooldusteenust osutavalt ettevõttelt.
- **Asbestisisaldava materjali töötlemine on keelatud** (asbest võib tekitada vähki)
- **Enne seadme reguleerimist või tarviku vahetust eemaldage seade vooluvõrgust (tõmmake pistik pistikupesast välja)**

TARVIKUD

- SKIL tagab seadme häireteta töö üksnes originaaltarvikute kasutamisel
- Ärge kasutage ülemäära kulunud, rebenenud või muul viisil vigastatud lihvpaberideid

ENNE KASUTAMIST

- Kontrollige alati, kas võrgupinge ühtib tööriista andesildil toodud pingega
- Vältige töödeldavas esemes olevatest kruvidest, naeltest vms põhjustatud kahjustusi; eemaldage need enne töö alustamist
- Pikendusjuhtmete kasutamisel jälgige, et juhe oleks lõpuni lahti keritud ja vastaks 16 A voolutugevusele
- Töötamise ajal võib müratase ületada 85 dB(A); kandke kuulmiskaitsevahendeid
- Värvika kaetud juhtmed, mõned puiduliigid, mineraalid ja metall eraldavad tolmu, mis võib olla kahjulik (kokkupuude tolmuuga või selle sissehingamine võib seadme kasutajal või läheduses viibival inimesel põhjustada allergilisi reaktsioone ja/või hingamisteede haigusi); **kandke tolmumaski ja vajaduse korral töötage külgeühendatava tolmuemaldusseadmega**
- Teatud tüüpi tolm on klassifitseeritud kantserogeenina (nt tammest ja kasest eralduv tolm), eriti koos puidu niiskuse reguleerimiseks kasutatavate lisanditega; **kandke tolmumaski ja vajaduse korral töötage külgeühendatava tolmuemaldusseadmega**
- Erinevate materjalide töötlemisel tekkiva tolmu käitlemisel tuleb järgida kehtivaid nõudeid
- Kandke kaitsekindaid ja kaitseprille, pikad juuksed kaitseks ni peakattega; ärge kandke töö ajal laiu, lotendavaid riideid
- Metallide lihvimisel lendub sademeid; ärge kasutage tolmukotti ning jälgige, et läheduses ei oleks teisi inimesi ega tuleohtlikke materjale
- **Fikseerige toorik** (fiksaatoriga kinnitatud või kruustangide vahele pandud toorik püsib kindlamini paigal kui lihtsalt käega hoides)

KASUTAMISE AJAL

- Vältige toitejuhtme kokkupuutumist seadme pöörlevate osadega; hoidke toitejuhet alati tööriistast eemal, tagapool
- Vältige kokkupuudet liikuva lihvpaperiga
- Seadme elektrilise või mehhaanilise häire korral lülitage seade viivitamatult välja ja eemaldage pistik vooluvõrgust
- Kui toitejuhe saab töötamisel ajal kahjustada või see lõigatakse läbi, ärge toitejuhet puutuge, vaid eemaldage koheselt pistik vooluvõrgust

PÄRAST KASUTAMIST

- Enne tööriista juurest lahkumist lülitage see välja ning oodake, kuni selle liikuvad osad on täielikult seiskunud

TÖÖRIISTAL OLEVATE SÜMBOLITE SELGITUS

- ③ Enne kasutamist tutvuge kasutusjuhendiga
- ④ Topeltisolatsioon (maandusjuhe pole vajalik)
- ⑤ Ärge visake kasutuskõlbmatuks muutunud tööriista ära koos olmejäätmetega

KASUTAMINE

- Lihvpaberi kinnitamine ⑥
 - ! eemaldage seade vooluvõrgust
 - ! tolm eemaldamiseks vajate aukudega lihvpaperit
 - ! lihvpaperi augud peaksid lihvplaadi omadega ühtima
 - ! vahetage kulunud lihvpaper õigeaegselt välja
 - ! kasutage tööriista ainult siis, kui kogu lihvimispiind on lihvpaperiga kaetud
 - paigaldage vastavalt joonisele VELCRO lihvpaper
- Tolmu eemaldamine
 - ! ärge kasutage tolmukotti/tolmuimejat metalli lihvimisel
 - Tolmukott ⑦
 - tühjendage tolmukoti A regulaarselt, see tagab optimaalse tolmuimevõimsuse säilimise
 - eemaldage tolmukamber A tolmukambrit Ataha tõmmates
 - Tolmuimeja kasutamisel
 - paigaldage tolmuimeja adapter D nagu joonisel näidatud ⑧a
 - ühendage tolmuimeja voolik tolmuimeja adapteriga D ⑧b
- Töölülitit (sisse/välja)
 - tööriista sisse-/väljalülitamiseks vajutage lülitit
 - ! enne lihvitava pinna kokkupuutumist töödeldava esemega tuleb tööriist sisse lülitada
 - ! enne tööriista väljalülitamist tuleb see töödeldavalt esemelt eemaldada
- Tööriista hoidmine ja juhtimine ⑨
 - ! töötamise ajal hoidke tööriista kinni korpusse ja käepideme halli värvi osadest
 - hoidke tööriista paralleelselt töödeldava pinnaga
 - ! ärge suruge tööriistale liigselt; laske lihvital pinnal enda heaks töötada
 - vältimaks soovimatuid lihvimisjärgi ärge kallutage tööriista
 - hoidke õhutusavad C ② kinnikatmata

TÖÖJUHISED

- Kasutage tööriista suurte pindade, nurkade ja servade ⑩ lihvimiseks

- Liigutage tööriista sirgjoones mööda puidu tekstuuri
 - töötlemata puitpindade lihvimiseks
 - eriti peene lõppliivi saamiseks
- Ärge kunagi töodelge ühe ja sama lihvpaperiga puitu ja metalli
- Lihvpaberi soovitatav karedus:
 - värvi eemaldamiseks ja väga ebatasase puidu lihvimiseks kasutage jämedate teradega suurusi (40, 60)
 - kareda või tavalise puidu lihvimiseks kasutage keskmiste teradega suurusi (80, 100, 120)
 - puidu ja vana värviga pindade silendamiseks ning palja puidu viimistlemiseks kasutage peene teraa suurusi (180, 240, 320)
- Kui töödeldav pind on kare, kasutage erineva karedusega lihvpapereid:
 - lihvige algul jämeda või keskmise karedusega lihvpaperiga
 - lõpetage vähekareda lihvpaperiga
- Lisateavet lugege aadressilt www.skil.com

HOOLDUS/TEENINDUS

- Tööriist pole mõeldud professionaalseks kasutamiseks
- Hoidke seade ja toitejuhe alati puhtad (eriti õhutusavad C ②)
 - külgekleepunud lihvimisest eemaldage pintsliga
- Enne puhastamist eemaldage seade vooluvõrgust
- Tööriist on hoolikalt valmistatud ja testitud; kui tööriist sellest hoolimata rikki läheb, tuleb see lasta parandada SKILi elektriliste käsitööriistade volitatud remonditöökojas
 - toimetage lahtimonteerimata seade koos ostukviitungiga tarnijale või lähimasse SKILi lepingulisse töökotta (aadressid ja tööriista varuosade joonise leiate aadressil www.skil.com)
- Arvestage sellega, et garantii ei hõlma seadme ülekoormamisest või ebaõigest käsitsemisest tulenevaid kahjustusi (teavet SKILi garantiitingimuste kohta vaadake veebilehelt www.skil.com või küsige kohalikult müügiesindajalt)

KESKKOND

- Ärge visake kasutuskõlbmatuks muutunud elektrilisi tööriistu, lisatarvikuid ja pakendeid ära koos olmejäätmetega (üksnes EL liikmesriikidele)
 - vastavalt Euroopa Parlamendi ja nõukogu direktiivile 2012/19/EÜ elektri- ja elektroonikaseadmete jäätmete kohta ning direktiivi nõuete kohaldamisele liikmesriikides tuleb kasutuskõlbmatuks muutunud elektrilised tööriistad koguda eraldi ja keskkonnasäästlikult korduvkasutada või ringlusse võtta
 - seda meenutab Teile sümbol ⑤

MÜRA / VIBRATSIOON

- Standardiga EN 62841 kooskõlas mõõdetud tööriista helirõhu tase on 73,0 dB(A) ja helivõimsuse tase 84,0 dB(A) (määramatus K = 3 dB), ja vibratsioon 4,1 m/s² (ruumiliste vektorite summa; mõõtemääramatus K = 1,5 m/s²)

- Tekkiva vibratsiooni tase on mõõdetud vastavalt standardis EN 62841 kirjeldatud standarditud testile; seda võib kasutada tööriistade võrdlemiseks ja tööriista kasutamisel ettenähtud tõeõksesineva vibratsiooni esialgseks hindamiseks
- tööriista kasutamisel muudeks rakendusteks või teiste/halvasti hooldatud tarvikute kasutamisel võib vibratsioon märkimisväärselt **suurened**
- ajal, kui tööriist on väljalülitatud või on küll sisselülitatud, kuid tegelikult seda ei kasutata, võib vibratsiooni märkimisväärselt **vähened**
- ! **enda kaitsmiseks vibratsiooni eest hoolitage tööriista ja selle tarvikuid korralikult, hoidke oma käed soojad ja tagage sujuv töökorraldus**

LV

Daudzfunkcionāla slīpmašina 7260

IEVADS

- Šis instruments ir paredzēts koka, krāsotu virsmu, plastmasas un pildvielu sausiai slīpēšanai un gala apstrādei
- Šis darbarīks nav paredzēts profesionālai lietošanai
- Izlasiet un saglabājiet šo pamācību ③

TEHNISKIE PARAMETRI ①

INSTRUMENTA ELEMENTI ②

- A Putekļu konteiners
- B Ieslēgšanas/izslēgšanas slēdzis
- C Ventilācijas atveres
- D Putekļsūcēja adapters*

* NAV STANDARTA KOMPLEKTĀCIJĀ

DROŠĪBA

VISPĀRĒJIE NOTEIKUMI ELEKTROINSTRUMENTU DROŠAI LIETOŠANAI

BRĪDINĀJUMS Iepazīstieties ar visiem šī elektroinstrumenta drošas lietošanas noteikumiem, norādījumiem, attēliem un specifikācijām. Visu turpmāk sniegto norādījumu neizpildes rezultātā lietotājs var ciest no elektrošoka, var izvērsties ugunsnelaime un/vai rasties smagi ievainojumi.

Saglabājiet visus noteikumus un norādījumus turpmākai atsaucēi.

Noteikumos minētais termins "elektroinstruments" nozīmē ar strāvu darbināmu (ar vadu aprīkotu) vai ar akumulatoru darbināmu (bezvadu) elektroinstrumentu.

1) DROŠĪBA DARBA VIETĀ

- a) **Seko**jiet, lai darba vieta būtu tīra un sakārtota. Nekārtīgā darba vietā vai sliktā apgaismojumā var viegli notikt nelaimes gadījums.
- b) **Nelietojiet elektroinstrumentu eksplozīvu vai ugunsnedrošu vielu tuvumā un vietās ar paaugstinātu gāzes vai putekļu saturu gaisā.** Darba

laikā instruments nedaudz dzirkstejo, un tas var izsaukt viegli degošu putekļu vai tvaiku aizdegšanos.

- c) **Lietojot elektroinstrumentu, nelaujiet nepiederošām personām un jo īpaši bērniem tuvoties darba vietai.** Citu personu klātbūtne var novērst uzmanību, un tā rezultātā jūs varat zaudēt kontroli pār instrumentu.

2) ELEKTRODROŠĪBA

- a) **Elektroinstrumenta kontaktdakšai jābūt piemērotai elektroīkla kontaktligzdai. Kontaktdakšas konstrukciju nedrīkst nekādā veidā mainīt. Nelietojiet kontaktdakšas salāgotājus, ja elektroinstruments caur kabeli tiek savienots ar aizsargzemējuma ķēdi.** Neizmainītas konstrukcijas kontaktdakšas, kas piemērota kontaktligzdai, ļauj samazināt elektriskā trieciena saņemšanas risku.
- b) **Darba laikā nepieskarieties sazemētiem priekšmetiem, piemēram, caurulēm, radiatoriem, plītim vai ledusskapjiem.** Pieskaroties sazemētām virsmām, pieaug risks saņemt elektrisko triecienu.
- c) **Nelietojiet elektroinstrumentu lietus laikā, neturiet to mitrumā.** Mitrumam iekļūstot instrumentā, pieaug risks saņemt elektrisko triecienu.
- d) **Nenesiet un nepiekariet elektroinstrumentu aiz elektrokabeļa. Neraujiet aiz kabeļa, ja vēlaties atvienot instrumentu no elektroīkla kontaktligzdas. Sargājiet elektrokabeļi no karstuma, eļļas, asām šķautnēm un instrumenta kustīgajām daļām.** Bojāts vai samezģlojies elektrokabeļis var būt par cēloni elektriskajam triecienam.
- e) **Darbinot elektroinstrumentu ārpus telpām, izmantojiet tā pievienošanai vienīgi tādus pagarinātājkabeļus, kuru lietošana ārpus telpām ir atļauta.** Lietojot elektrokabeļi, kas piemērots darbam ārpus telpām, samazinās risks saņemt elektrisko triecienu.
- f) **Ja elektroinstrumentu tomēr nepieciešams lietot vietās ar paaugstinātu mitrumu, izmantojiet tā pievienošanai noplūdes strāvas aizsargreleju.** Lietojot noplūdes strāvas aizsargreleju, samazinās risks saņemt elektrisko triecienu.

3) PERSONISKĀ DROŠĪBA

- a) **Darba laikā saglabājiet paškontroli un rīkojieties saskaņā ar veselo saprātu. Pārtrauciet darbu, ja jūtaties noguris vai atrodaties alkohola, narkotiku vai medikamentu izraisītā reibumā.** Strādājot ar elektroinstrumentu, pat viens neuzmanības mirklis var būt par cēloni nopietnam savainojumam.
- b) **Izmantojiet individuālos darba aizsardzības līdzekļus un darba laikā vienmēr nesāji**et aizsargbrilles. Individuālo darba aizsardzības līdzekļu (putekļu maskas, neslīdošu apavu un aizsargķiveres vai ausu aizsargu) pielietošana atbilstoši elektroinstrumenta tipam un veicamā darba raksturam ļauj izvairīties no savainojumiem.
- c) **Nepieļaujiet elektroinstrumenta patvaļīgu ieslēgšanos.** Pirms elektroinstrumenta pievienošanas elektroīklam, akumulatora ievietošanas vai izņemšanas, kā arī pirms elektroinstrumenta pārņemšanas pārliecinieties, ka tas ir izslēģts. Pārnesot elektroinstrumentu, ja pirksts atrodas uz ieslēģdzēja, kā arī pievienojot to elektrobarošanas avotam laikā, kad elektroinstruments ir ieslēģts, var viegli notikt nelaimes gadījums.

- d) **Pirms instrumenta ieslēgšanas neaizmirstiet izņemt no tā regulējošos instrumentus vai skrūvjatslēgas.** Patronatslēga vai skrūvjatslēga, kas instrumenta ieslēgšanas brīdī nav izņemta no tā, var radīt savainojumu.
- e) **Strādājot ar elektroinstrumentu, ieturiet stingru stāju.** Darba laikā vienmēr saglabājiet līdzsvaru un centieties nepaslidēt. Tas atvieglos instrumenta vadību neparedzētās situācijās.
- f) **Izvēlieties darbam piemērotu apģērbu.** Darba laikā nenēsājiet brīvi plandošas drēbes un rotaslietas. Netuviniet garus matus un drēbes elektroinstrumenta kustīgajām daļām. Vaļīgas drēbes, rotaslietas un gari mati var iekerties instrumenta kustīgajās daļās.
- g) **Ja elektroinstrumenta konstrukcija ļauj tam pievienot ārējo putekļu uzsūkšanas vai savākšanas/uzkrāšanas ierīci, sekojiet, lai tā tiktu pievienota elektroinstrumentam un pareizi darbotos.** Pielietojot putekļu uzsūkšanu vai savākšanu/uzkrāšanu, samazinās to kaitīgā ietekme uz strādājošās personas veselību.
- h) **Nepaļaujieties uz iemaņām, kas tiek iegūtas, bieži lietojot instrumentus, neieslīgstiet pašapmierinātībā un neignorējiet instrumenta drošas lietošanas principus.** Neuzmanīgas rīcības dēļ dažās sekundēs daļās var gūt nopietnu savainojumu.
- 4) ELEKTROINSTRUMENTU LIETOŠANA UN APKOPE**
- a) **Nepārslodojiet elektroinstrumentu.** Katram darbam izvēlieties piemērotu instrumentu. Elektroinstrumentus darbosies labāk un drošāk pie nominālās slodzes.
- b) **Nelietojiet elektroinstrumentu, ja ir bojāts tā ieslēdzējs.** Elektroinstrumentus, ko nevar ieslēgt un izslēgt, ir bīstams lietošanai un to nepieciešams remontēt.
- c) **Pirms elektroinstrumenta apkopes, regulēšanas vai darbinstrumenta nomaiņas atvienojiet tā kontaktdakšu no barojošā elektrotīkla vai izņemiet no tā akumulatoru, ja tas ir izņemams.** Šādi iespējams samazināt elektroinstrumenta nejaušas ieslēgšanās risku.
- d) **Elektroinstrumentu, kas netiek darbināts, uzglabājiet piemērotā vietā, kur tas nav sasniedzams bērniem un personām, kuras neprot rīkoties ar instrumentu.** Ja elektroinstrumentu lieto nekompetentas personas, tas var apdraudēt cilvēku veselību.
- e) **Savlaicīgi apkalpojiet elektroinstrumentu un to piederumus.** Pārbaudiet, vai kustīgās daļas darbojas bez traucējumiem un nav iespīlētas, vai kāda no daļām nav salauzta vai bojāta, vai katra no tām pareizi funkcionē un pilda tai paredzēto uzdevumu. Nodrošiniet, lai bojātās daļas tiktu savlaicīgi nomainītas vai remontētas pilnvarotā remontu darbnīcā. Daudzi nelaimes gadījumi notiek tāpēc, ka elektroinstrumentus pirms lietošanas nav pienācīgi apkalpoti.
- f) **Savlaicīgi notīriet un uzasiniet griezošos darbinstrumentus.** Rūpīgi kopti instrumenti, kas apgādāti ar asiem griezejinstrumentiem, ļauj strādāt daudz ražīgāk un ir vieglāk vadāmi.
- g) **Lietojiet vienīgi tādus elektroinstrumentus, papildpiederumus, darbinstrumentus utt., kas paredzēti attiecīgajam pielietojuma veidam. Bez**

tam jāņem vērā arī konkrētie darba apstākļi un pielietojuma īpatnības. Elektroinstrumentu lietošana citiem mērķiem, nekā to ir paredzējusi ražotājfirma, ir bīstama un var novest pie neparedzamām sekām.

- h) **Uzturiet elektroinstrumenta rokturus un noturvirsmas sausas un tīras, sargājiet tās no eļļas un smērvielām.** Slideni rokturi un noturvirsmas traucē efektīvi rīkoties ar elektroinstrumentu un to droši vadīt neparedzētās situācijās.

5) APKALPOŠANA

- a) **Nodrošiniet, lai Instrumenta remontu veiktu kvalificēts personāls, nomainītai izmantojot oriģinālās rezerves daļas un piederumus.** Tikai tā iespējams panākt instrumenta ilgstošu un nevainojamu darbību bez atteikumiem.

DARBA DROŠĪBAS NOTEIKUMI SLĪPMAŠĪNĀM

VISPĀRĒJA INFORMĀCIJA

- Šo instrumentu nedrīkst izmantot personas, kas jaunākas par 16 gadiem
- Šis instruments nav paredzēts mitrai slīpēšanai
- Nekad neizmantojiet instrumentu, ja bojāts tā vads; tas jānomaina pret speciāli sagatavotu kabeli, kas pieejams servisa uzņēmumā.
- **Neapstrādājiet materiālus, kas satur azbestu** (azbestam piemīt kancerogēnas īpašības)
- **Pirms instrumenta regulēšanas vai piederumu nomaiņas atvienojiet to no barojošā elektrotīkla**

PIEDERUMI

- Firma SKIL garantē instrumenta nevainojamu darbību tikai tad, ja tiek lietoti oriģinālie papildpiederumi
- Nelietojiet nolietotas, deformētas vai stipri piesārņotas slīpēšanas loksnes

PIRMS DARBA UZSĀKŠANAS

- Vienmēr pārliecinieties, ka spriegums, kas uzrādīts uz instrumenta marķējuma plāksnītes, atbilst padeves spriegumam elektrotīklā
- Izvairieties no instrumenta bojājumiem, ko var radīt apstrādājamajā priekšmetā esošās skrūves, naglas vai citi līdzīgi objekti; pirms darba uzsākšanas atbrīvojiet apstrādājamo materiālu no šādiem priekšmetiem
- Lietojiet pilnīgi atītus un drošus pagarinātājkabeļus, kas paredzēti 16 A strāvai
- Darba laikā instrumenta radītā trokšņa līmenis var pārsniegt 85 dB(A); lietojiet ausu aizsargus
- Materiāla, piemēram svīnu saturošas krāsas, dažu koka šķirņu, minerālu un metāla, putekļi var būt kaitīgi (saskare ar putekļiem vai to ieelpošana var izraisīt alerģiskas reakcijas un/vai elpošanas ceļu sasilšanas operatoram vai klātesošajiem); **izmantojiet putekļu masku un putekļsūcēju, ja to iespējams pievienot**
- Dažu veidu putekļi ir klasificēti kā kancerogēni (piemēram, ozola vai dižskābarža putekļi), jo īpaši apvienojumā ar koksnes kondicionēšanas piedevām; **izmantojiet putekļu masku un putekļsūcēju, ja to iespējams pievienot**
- Ievērojiet ar putekļu savākšanu saistītos nacionālos noteikumus, kas attiecas uz apstrādājamajiem materiāliem
- Darba laikā nēsājiet aizsargcimdus un aizsargbrilles, uzvelciet pieguļošas drēbes un nosedziet matus ar saturošu galvassegu (ja jums ir gari mati)
- Slīpējot metālu, veidojas dzirksteles; šādā gadījumā neizmantojiet putekļu konteineru un sekojiet, lai

darba vietas tuvumā neatrastos citas personas vai ugunsnedroši materiāli

- **Nostipriniet apstrādājamo detaļu** (to ir drošāk nostiprināt ar spailēm vai skrūvspilēm, nevis turēt rokā)

DARBA LAIKĀ

- Darba laikā sekojiet, lai elektrokabelis atrastos drošā attālumā no instrumenta kustīgajām daļām un stieptos prom no darba vietas virzienā uz aizmuguri
- Nepieskarieties kustīgajai slīpēšanas loksnei
- Elektriska vai mehāniska rakstura kļūmes gadījumā nekavējoties izslēdziet instrumentu un atvienojiet kabeļa kontaktdakšu no elektrotīkla
- Ja darba laikā tiek pārgriezts vai citādi mehāniski bojāts instrumenta elektrokabelis, nepieskarieties tam, bet nekavējoties atvienojiet elektrokabeļa kontaktdakšu no barojošā elektrotīkla

PĒC DARBA PABEIGŠANAS

- Pirms instrumenta novietošanas izslēdziet tā elektrodzinēju un nogaidiet, līdz ir pilnīgi apstājušās visas instrumenta kustīgās daļas

UZ INSTRUMENTA ATTĒLOTO SIMBOLU SKAIDROJUMS

- ③ Pirms izstrādājuma lietošanas izlasiet tā lietošanas pamācību
- ④ Divkārsa izolācija (nav jālieto zemējuma vads)
- ⑤ Neizmetiet nolietoto instrumentu sadzīves atkritumu tvērnē

DARBS

- Slīpēšanas loksnes nostiprināšana ⑥
 - ! atvienojiet instrumentu no elektrotīkla
 - ! ja vēlaties pielietot putekļu uzsūkšanu, lietojiet perforētas slīpēšanas loksnes
 - ! atvērumiem slīpēšanas loksne jāsakrīt ar atvērumiem slīpēšanas pamatnē
 - ! savlaicīgi nomainiet nolietotās slīpēšanas loksnes
 - ! strādājiet ar instrumentu vienīgi tad, ja visa tās pamatne ir nosēgta ar slīpēšanas loksni
 - nostipriniet VELCRO tipa (pašnoturošās) slīpēšanas loksnes, kā parādīts attēlā
- Putekļu uzsūkšana
 - ! nelietojiet putekļu konteineru/putekļsūcēju, slīpējot metālu
 - Putekļu konteiners ⑦
 - lai nodrošinātu optimālu putekļu uzsūkšanu, regulāri iztukšojiet putekļu konteineru A
 - putekļu konteineru A, pavēlkot to A atpakaļ
 - Lai putekļu uzsūkšanai izmantotu putekļsūcēju, rīkojieties šādi
 - pievienojiet instrumentam putekļsūcēja adapteru D, kā parādīts attēlā ④a
 - pievienojiet putekļu sūcēja šļūteni putekļu sūcēja adapteram D ④b
 - Ieslēgšanas/izslēgšanas slēdzis
 - ieslēdziet/izslēdziet instrumentu, iespiežot slēdzi uz iekšu/āru
 - ! instrumentam jābūt ieslēgtam jau pirms slīpēšanas loksnes saskaršanās ar apstrādājamā priekšmeta virsmu
 - ! pirms instrumenta izslēgšanas paceliet to no apstrādājamā priekšmeta virsmas
 - Instrumenta turēšana un vadīšana ⑧
 - ! darba laikā vienmēr turiet instrumentu aiz pelēkās krāsas noturvirsmas(ām)

- darba laikā virziet instrumentu paralēli apstrādājamajai virsmai

! neizdariet uz instrumentu pārāk lielu spiedienu; ļaujiet slīpēšanas loksnei darīt darbu jūsu vietā

- lai novērstu nevēlamu švīku veidošanos uz apstrādājamās virsmas, darba laikā nenolieciet instrumentu sānu virzienā
- nenosprostojiet instrumenta ventilācijas atveres C ②

PRAKTISKI PADOMI

- Izmantojiet instrumentu lielu virsmu, stūru un malu slīpēšanai ⑩
- Virziet slīpmašīnu taisniem gājieniem paralēli materiāla šķiedrām
 - slīpējot nepārklātas koka virsmas
 - veicot gala apstrādi (finišēšanu)
- Nekādā gadījumā nelietojiet vienu un to pašu slīpēšanas loksni koka un metāla apstrādei
- Ieteicamā slīpēšanas lokšņu gaudainība:
 - krāsas noņemšanai un sevišķi raupja koka slīpēšanai izmantot rupjas gaudainības loksnes (40, 60)
 - raupju vai līdzenu koka virsmu slīpēšanai izmantot vidējas gaudainības loksnes (80, 100, 120)
 - koka un virsmu, uz kurām ir veca krāsa, izlīdzināšanai un nepārklātu koka virsmu apstrādei izmantot smalkas gaudainības loksnes (180, 240, 320)
- Raupju virsmu slīpēšanu veiciet pakāpeniski, izmantojot dažādas gaudainības slīpēšanas loksnes:
 - uzsāciet slīpēšanu, izmantojot slīpēšanas loksnes ar rupju vai vidēju gaudainību
 - nobeidziet slīpēšanu, izmantojot slīpēšanas loksnes ar smalku gaudainību
- Papildu informāciju skatīt tīmekļa vietnē www.skil.com

APKALPOŠANA / APKOPE

- Šis darbarīks nav paredzēts profesionālai lietošanai
- Uzturiet tīru instrumentu un elektrokabeli (īpaši ventilācijas atveres C ②)
 - ar suku notīriet no instrumenta tam pielipušos putekļus
- ! pirms instrumenta tīrīšanas atvienojiet to no elektrotīkla
- Ja, neraugoties uz augsto izgatavošanas kvalitāti un rūpīgo pērcražošanas pārbaudi, instruments tomēr sabojājas, tas jānogādā remontam firmas SKIL pilnvarotā elektroinstrumentu remonta darbnīcā
 - nogādājiet instrumentu **neizjauktā veidā** kopā ar iegādes dokumentiem tuvākajā tirdzniecības vietā vai firmas SKIL pilnvarotā pēciegādes apkalpošanas un remonta iestādē (adreses un instrumenta apkalpošanas shēma ir sniegta interneta vietnē www.skil.com)
- Ievērojiet, ka garantijā neietilpst pārslodzes vai nepareizas instrumenta ekspluatācijas izraisītie bojājumi (SKIL garantijas noteikumus skatiet www.skil.com vai vērsieties pie izplatītāja)

APKĀRTĒJĀS VIDES AIZSARDZĪBA

- Neizmetiet elektroiekārtas, piederumus un iesaiņojuma materiālus sadzīves atkritumos (tikai ES valstīm)
 - saskaņā ar Eiropas Savienības direktīvu 2012/19/ES par nolietotajām elektriskajām un elektroniskajām

iekartām un tās atspoguļojumiem nacionālajā likumdošanā, noliegtās elektroiekārtas ir jāsavāc, jāizjauc un jānogādā atbilstoši pārstrādei apkārtējai videi nekaitīgā veidā

- Ipašs simbols ⑤ atgādina par nepieciešamību izstrādājumus izmantot videi nekaitīgā veidā

TROKSNIS / VIBRĀCIJA

- Veicot mērījumus atbilstoši EN 62841, šī instrumenta akustiskā spiediena līmenis ir 73,0 dB(A), akustiskās jaudas līmenis ir 84,0 dB(A) (nenoteiktība K = 3 dB), bet vibrācija 4,1 m/s² (triksiālā vektora summa; nenoteiktība K = 1.5 m/s²)
- Vibrācijas līmenis ir noteikts, izmantojot standartā EN 62841 paredzēto procedūru; to var izmantot, lai salīdzinātu instrumentus un provizoriski izvērtētu vibrācijas iedarbību, lietojot instrumentu minētajiem mērķiem
 - instrumenta izmantošana citiem mērķiem vai ar citiem vai nepietiekami koptiem piederumiem var ievērojami palielināt kopējo vibrācijas iedarbības pakāpi
 - laika periodi, kad instruments ir izslēgts vai arī ir ieslēgts, taču darbs ar to nenotiek, var ievērojami samazināt kopējo vibrācijas iedarbības pakāpi
- ! **pasargājiet sevi no vibrācijas iedarbības, veicot instrumenta un tā piederumu tehnisko apkopi, novērsot roku atzīšanu un pareizi organizējot darbu**

LT

Daugiafunkcē šlifavimo mašina 7260

ĪVADAS

- Šis prietaiss skirtas sausuju būdu šlifuoti medžio ruošinius, lakuotus paviršius, plastikā ir glaištā, o taip pat atlikti jų baigiamajai apdirbimā
- Šis įrankis neskirtas profesionaliam naudojimui
- Perskaitykite ir išsaugokite šią naudojimo instrukciją ③

TECHNINIAI DUOMENYS ①

PRIETAISO ELEMENTAI ②

- A Dulkių dėžutė
- B Įjungimo/išjungimo jungiklis
- C Ventilacinės angos
- D Dulkių nusiurbimo atvamzdį*

* NĖRA STANDARTINIAME KOMPLEKTE

SAUGA

BENDRIEJI ELEKTRINIŲ ĮRANKIŲ SAUGOS ĮSPĖJIMAI

⚠ **ĮSPĖJIMAS** Perskaitykite visus su šiuo elektriniu prietaisu pateiktus saugos perspėjimus, instrukcijas, paveikslėlius ir specifikacijas. Nepaisant toliau pateiktų instrukcijų galite patirti elektros smūgi, įvykti gaisras ir / ar patirti rimtų sužalojimų.

Išsaugokite visus įspėjimus ir instrukcijas ateičiai.

Terminas „elektros įrankis“ įspėjimuose reiškia jūsų iš elektros tinklo (laidais) maitinamus įrankius arba elektros įrankius, veikiančius nuo baterijų (belaizdžius).

1) DARBO VIETOS SAUGUMAS

- Darbo vieta turi būti švari ir tvarkinga.** Netvarka ar blogai apšviesta darbo vieta gali tapti nelaimingų atsitikimų priežastimi.
- Nedirbkite tokioje aplinkoje, kur yra degių skysčių, dujų ar dulkių.** Elektriniai įrankiai gali kibirkščiuoti, o nuo kibirkščių dulkės arba susikaupę garai gali užsidegti.
- Dirbdami su elektriniu įrankiu neleiskite šalia būti žiūrovams, vaikams ir lankytojams.** Nukreipę dėmesį į kitus asmenis galite nebesuvaldyti prietaiso.

2) ELEKTROSAUGA

- Maitinimo laido kištukas turi atitikti tinklo rozetės tipą. Kištuko jokių būdu negalima modifikuoti. Nenaudokite jokių kištuko adapterių su žemintais prietaisais.** Originalūs kištukai, tiksliai tinkantys elektros tinklo rozetei, sumažina elektros smūgio pavojų.
 - Venkite kūno kontakto su žemintais paviršiais, tokiais kaip vamzdžiai, šildytuvai, viryklės ar šaldytuvai.** Egzistuoja padidinta elektros smūgio rizika, jei Jūs kūnas bus žemintas.
 - Saugokite prietaisą nuo lietaus ir drėgmės.** Jei vanduo patenka į elektrinį prietaisą, padidėja elektros smūgio rizika.
 - Nenaudokite maitinimo laido ne pagal paskirtį, t. y. neneškite prietaiso paėmę už laido, nekabinkite prietaiso už laido, netraukite už jo, norėdami išjungti kištuką iš rozetės. Laidą klokite taip, kad jo neveiktų karštis, jis neišsitemptų alyva ir jo nepažeistų aštrios detalės ar judančios prietaiso dalys.** Pažeisti arba susipynę laidai gali tapti elektros smūgio priežastimi.
 - Jeį su elektriniu įrankiu dirbate lauke, naudokite tik tokius ilginimo kabelius, kurie tinka lauko darbams.** Naudojant lauko darbams pritaikytus ilginimo kabelius, sumažinamas elektros smūgio pavojus.
 - Jeį su elektriniu įrankiu neišvengiamai reikia dirbti drėgnoje aplinkoje, naudokite žemininimo grandinės pertraukiklį. Naudojant žemininimo grandinės pertraukiklį, sumažėja elektros smūgio pavojus.**
- ### 3) ŽMONIŲ SAUGA
- Būkite atidūs, sutelkite dėmesį į tai, ką Jūs darote ir, dirbdami su elektriniu įrankiu, vadovaukitės sveiku protu. Nedirbkite su prietaisu, jei esate pavargę arba vartojote narkotikus, alkoholį ar medikamentus.** Akimirksnio neatidumas naudojant prietaisą gali tapti rimtų sužalojimų priežastimi.
 - Naudokite asmenines apsaugos priemones ir visuomet užsidėkite apsauginius akinius.** Naudojant asmenines apsaugos priemones, pvz., respiratorių ar apsauginę kaukę, neslystančius batus, apsauginį šalną, klausos apsaugos priemones ir kt., rekomenduojamas dirbant su tam tikros rūšies įrankiais, sumažėja rizika susižeisti.
 - Saugokitės, kad neįjungtumėte prietaiso atsitiktinai. Prieš prijungdami elektrinį įrankį prie elektros tinklo ir/arba akumuliatoriaus, prieš pakeldami ar nešdami įsitinkinkite, kad jis yra išjungtas.** Jeigu nešdami elektrinį įrankį pirštą laikysite ant jungiklio arba prietaisą įjungsite į elektros tinklą, kai jungiklis yra įjungtas, gali įvykti nelaimingas atsitikimas.

- d) **Prieš įjungdami prietaisą pašalinkite reguliavimo įrankius arba veržlių raktus.** Prietaiso besisukančioje dalyje esantis įrankis ar raktas gali tapti sužalojimų priežastimi.
- e) **Nepervertinkite savo galimybių. Dirbdami atsistokite patikimai ir visada išlaikykite pusiausvyrą.** Patikima stovėnė yra tinkama kūno laikysena leis geriau kontroliuoti prietaisą netikėtose situacijose.
- f) **Dėvėkite tinkamą aprangą. Nedėvėkite plačių drabužių ir papuošalų. Saugokite plaukus ir drabužius nuo besisukančių elektrinio įrankio dalių.** Laisvus drabužius, papuošalus bei ilgus plaukus gali įtraukti besisukančios dalys.
- g) **Jei yra numatyta galimybė prijungti dulkių nusiurbimo ar surinkimo įrenginius, visada įsitikinkite, ar jie yra prijungti ir ar teisingai naudojami.** Naudojant dulkių nusiurbimo įrenginius sumažėja kenksmingas dulkių poveikis.
- h) **Dažnai naudodami įrankį ir gerai su juo susipažinę pernelgy neatsipalaiduokite ir nepradėkite nepaisyti įrankio saugos principų.** Neatidus veiksmas gali sukelti sunkią traumą per sekundės dalį.
- 4) RŪPESTINGA ELEKTRINIŲ ĮRANKIŲ PRIEŽIŪRA IR NAUDOJIMAS**
- a) **Neperkraukite prietaiso. Naudokite Jūsų darbui tinkamą elektrinį įrankį.** Su tinkamu elektriniu įrankiu Jūs dirbsite geriau ir saugiau, jei neviršysite nurodyto galimumo.
- b) **Nenaudokite elektrinio įrankio su sugedusiu jungikliu.** Elektrinis įrankis, kurio nebegalima įjungti ar išjungti, yra pavojingas ir jį reikia remontuoti.
- c) **Prieš reguliuodami prietaisą, keisdami darbo įrankius ar prieš valydami prietaisą, iš elektros tinklo lizdo ištraukite kištuką ir/arba išimkite akumuliatorių, jeigu jis išimamas.** Ši saugumo priemonė apsaugos jus nuo netikėto prietaiso įsijungimo.
- d) **Nenaudojamą prietaisą sandėliuokite vaikams ir nemokantiems juo naudotis asmenims neprieinamoje vietoje.** Elektriniai įrankiai yra pavojingi, kai juos naudoja nepatyrę asmenys.
- e) **Priziūrėkite elektrinį įrankį ir priedus. Tikrinkite, ar besisukančios prietaiso dalys tinkamai veikia ir niekur neklūva, ar nėra sulūžusių ar šiaip pažeistų dalių, kurios įtakotų prietaiso veikimą.** Prieš vėl naudojant prietaisą pažeistos prietaiso dalys turi būti suremontuotos. Daugelio nelaimingų atsitikimų priežastis yra blogai priziūrimi elektriniai įrankiai.
- f) **Pjovimo įrankiai turi būti aštrūs ir švarūs.** Rūpestingai priziūrėti pjovimo įrankiai su aštriomis pjaunamosiomis briaunomis mažiau stringa ir juos yra lengviau valdyti.
- g) **Elektrinį įrankį, papildomą įrangą, darbo įrankius ir t. t. naudokite taip, kaip nurodyta šioje instrukcijoje. Taip pat atsizvelkite į darbo sąlygas bei atliekamo darbo pobūdį.** Naudojant elektrinius įrankius ne pagal jų paskirtį galima sukelti pavojingas situacijas.
- h) **Rankenos ir suėmimo paviršiai turi būti sausi, švarūs, ant jų neturi būti alyvos ir tepalų.** Dėl slidžių rankenų ir suėmimo paviršių negalėsite saugiai išlaikyti ir suvaldyti įrankio netikėtose situacijose.
- 5) APTARNAVIMAS**
- a) **Prietaisą turi remontuoti tik kvalifikuotas specialistas ir naudoti tik originalias atsargines dalis.** Taip galima garantuoti, jog prietaisas išliks saugus.

SAUGOS NUORODOS DIRBANTIEMS SU ŠLIFAVIMO PRIETAISAIS

BENDROJI DALIS

- Šį prietaisą turėtų naudoti tik asmenys, kuriems 16 ir daugiau metų
- Šis prietaisas netinka ruošiniams šlifuoti šlapiuoju būdu
- Niekada nenaudokite įrankio, jei laidas pažeistas; jį reikia pakeisti specialiu laidu remonto įmonėje.
- **Draudžiama apdirbti medžiagas, kurių sudėtyje yra asbesto** (asbestas pasižymi vėžį sukeliančiu poveikiu)
- **Prieš reguliuojant prietaisą arba keičiant darbo įrankius, ištraukite kištuką iš el. tinklo lizdo**

PIEDAI

- SKIL gali garantuoti nepriekaištingą prietaiso veikimą tik tuo atveju, jei naudojama originali papildoma įranga ir priedai
- Draudžiama naudoti nusidėvėjusius, įplyšusius ar labai užterštus šlifavimo popieriaus lapelius

PIEŠ EKSPLOATACIJA

- Visada patikrinkite, ar elektros tinklo įtampa sutampa su įtampos dydžiu, nurodytu prietaiso vardinėje lentelėje
- Saugokite, kad nepažeistumėte prietaiso į ruošinyje esančios varžtus, vinis ir pan; prieš pradėdami darbą juos pašalinkite
- Naudodami ilginamuosius kabelius atkreipkite dėmesį į tai, kad kabelis būtų iki galo išvyniotas ir būtų pritaikytas 16 A elektros srovei
- Darbo metu triukšmo lygis gali viršyti 85 dB(A); naudoti klausos apsaugos priemonės
- Kai kurių medžiagų, kaip antai dažų, kurių sudėtyje yra švino, kai kurių medžių rūšių medienos, mineralų ir metalo dulkės gali būti kenksmingos (kontaktas su šiomis dulkmėmis arba įkvėptos dulkmės gali sukelti operatoriui arba šalia esantiems žmonėms alergines reakcijas ir/arba kvėpavimo sistemos susirgimus); **mūvėkite priešdulkinę puskaukę arba dirbdami naudokite dulkių ištraukimo įrenginį, jei jį galima prijungti**
- Kai kurių rūšių dulkmės priskiriamos kancerogeninėms (pvz., ažuolo arba buko medienos dulkmės), ypač susimaišiusios su medienos taurinimui naudojamais priedais; **mūvėkite priešdulkinę puskaukę arba dirbdami naudokite dulkių ištraukimo įrenginį, jei jį galima prijungti**
- Vadovaukitės Jūsų šalyje taikomų direktyvų reikalavimais, skirtais medžiagoms, su kuriomis norite dirbti
- Užsidėkite apsauginius pirštines, užsidėkite apsauginius akinius, dėvėkite priglundusius drabužius ir apsauginę kepuraitę (jei Jūsų plaukai ilgi)
- Šlifuojant metalą kyla kibirkštys; nenaudokite dulkių surinkimo dėžutės ir pasirūpinkite, kad Jums dirbant aplink nebūtų kitų asmenų, kuriuos galėtų sužeisti lekiančios kibirkštys, o taip pat - degių medžiagų
- **Saugiai laikykite tvirtinamą dirbinį** (dirbinį, kuris segamas ar kalamas kabių kalimo įrankiais, saugiau laikyti spaustuvo nei ranka)

EKSPLOATACIJA

- Pasirūpinkite, kad maitinimo kabelis nebūtų arti besisukančių prietaiso dalių; klokite jį kuo toliau už prietaiso
- Nelieskite rankomis švytuojančio šlifavimo popieriaus lapelio
- Atsiradus mechaninio ar elektrinio pobūdžio trukdžiams, tuojau pat išjunkite prietaisą ir ištraukite kištuką iš elektros tinklo lizdo

- Jei dirbant bus pažeistas ar nutrauktas kabelis, būtina noliečiant kabelio tuojau pat ištraukti kištuką iš elektros tinklo lizdo

PO EKSPLOATACIJOS

- Prieš padėdami prietaisą jį išjunkite ir palaukite, kol visos besisukančios jo dalys visiškai sustos

ANT PRIETAISO ESANČIŲ SIMBOLIŲ REIKŠMĖS

- ③ Prieš naudodami įrankį perskaitykite instrukcijų vadovą
- ④ Dviguba izoliacija (žemimo laido nereikia)
- ⑤ Nemeskite prietaisus į buitinių atliekų konteinerius

NAUDOJIMAS

- Šlifavimo popieriaus pritvirtinimas ⑥
 - ! ištraukite kištuką iš elektros lizdo
 - ! norint, kad dulksės būtų nusiurbiamos, reikia naudoti skylėtą šlifavimo popieriaus lapelį
 - ! šlifavimo popieriaus skylės turi sutapti su skylėmis šlifavimo plokštėje
 - ! laiku pakeiskite nusidėvėjusį šlifavimo popieriaus lapelį
 - ! prietaisą leidžiama naudoti tik tuomet, kai šlifavimo popierius uždengia visą šlifavimo plokštę
 - uždėkite VELCRO (kibus sujungimas) šlifavimo popieriaus lapelį, kaip parodyta paveikslėlyje
- Dulkių nusiurbimas
 - ! nenaudokite dulkių surinkimo dėžutės/dulkių siurblio šlifudami metalą
 - Dulkių dėžutė ⑦
 - reguliariai išvalykite dulkių surinkimo dėžutę A, tuomet dulkių nusiurbimas bus optimalus
 - nuimkite dulkių surinkimo dėžutę A, traukdami ją A atgal
 - Jei naudojate dulkių siurbli
 - dulkių nusiurbimo atvamzdį D sumontuokite taip, kaip parodyta paveikslėlyje ⑧a
 - prijunkite dulkių siurblio žarną prie dulkių siurblio adapterio D ⑧b
- Įjungimo/išjungimo jungiklis
 - prietaisas įjungiamas ir išjungiamas jungikli perstumiant jį vidų arba į išorę
 - ! visų pirma įjunkite prietaisą ir tik po to pradėkite šlifuoti, t.y. šlifavimo plokštė ruošinį turi paliesti prietaisui esant jau įjungtam
 - ! prieš išjungdami prietaisą atitraukite jį nuo ruošinio
- Prietaiso laikymas ir valdymas ⑨
 - ! dirbdami laikykite prietaisą už pilkos spalvos suėmimo vietos(-ų)
 - prietaisą laikykite lygiagrečiai apdirbamam paviršiui
 - ! nespauskite prietaiso per stipriai; leiskite šlifavimo plokštei atlikti darbą už jus
 - nevarykite prietaiso, nes šlifuojant gali likti įbrėžimų
 - ventiliacines angas C ② laikykite neuždengtas

NAUDOJIMO PATARIMAI

- Naudokite įrankį didelių paviršių, kampų ir kraštų smėliavimui ⑩
- Šlifuokite tiesiais judesiais pagal medienos tekstūrą
 - grubiai šlifudami neapdirbtus medinius paviršius
 - atlikdami ypatingai švelnų baigiamąjį šlifavimą
- Nenaudokite to paties šlifavimo popieriaus medžio ir metalo ruošinių apdirbimui

- Rekomenduojamas šlifavimo popieriaus rupumas:
 - nuimti dažus ir nušlifuoti itin šiurkščius medinius paviršius, didelio grūdėtumo (40, 60)
 - šlifuoti šiurkščią ar neapdorotą medieną, vidutinio grūdėtumo (80, 100, 120)
 - nupoliruoti medieną ir paviršius su senais dažais bei neapdorotą medieną, smulkaus grūdėtumo (180, 240, 320)
- Šlifudami grubius paviršius naudokite skirtingo rupumo šlifavimo popierių:
 - iš pradžių šlifuokite rupiu arba vidutinio rupumo popieriumi
 - baigdami šlifuoti naudokite smulkaus rupumo popierių
- Daugiau informacijos rasite internete www.skil.com

PRIEŽIŪRA / SERVISAS

- Šis įrankis neskirtas profesionaliam naudojimui
- Periodiškai valykite prietaisą ir kabelį (ypač ventiliacines angas C ②)
 - susikaupusias šlifavimo dulkes išvalykite šepetėliu
 - ! prieš valydami ištraukite kištuką iš elektros tinklo lizdo
- Jeigu prietaisas, nepaisant gamykloje atliekamo kruopštaus gamybos ir kontrolės proceso, vis dėlto sugestų, jo remontas turi būti atliekamas įgaliotose SKIL elektrinių įrankių remonto dirbtuvėse
 - neišardytą prietaisą kartu su pirkimo čekiu siųskite tiekėjui arba į artimiausią SKIL firmos įgaliotą elektros prietaisų techninio aptarnavimo tarnybą (adresus bei atsarginių dalių brėžinius rasite www.skil.com)
- Turėkite omeny, kad garantija netaikoma, jei gedimas atsiranda dėl perkrovos ar netinkamo naudojimo (dėl SKIL garantijos sąlygų žr. www.skil.com arba kreipkitės į jus aptarnaujantį prekybos atstovą)

APLINKOSAUGA

- Nemeskite elektrinių įrankių, papildomos įrangos ir pakuočių į buitinių atliekų konteinerius (galioja tik ES valstybėms)
 - pagal ES Direktyvą 2012/19/EG dėl naudotų elektrinių ir elektroninių prietaisų atliekų utilizavimo ir pagal vietinius valstybės įstatymus atitarnavę elektriniai įrankiai turi būti surenkami atskirai ir gabenami į antrinių žaliavų tvarkymo vietas, kur jie turi būti sunaikinami ar perdirbami aplinkai nekenksmingu būdu
 - apie tai primins simbolis ⑤, kai reikės išmesti atitarnavusį prietaisą

TRIUKŠMINGUMAS / VIBRACIJA

- Išmatuotas pagal EN 62841, šio instrumento garso slėgio lygis yra 73,0 dB(A), garso galios lygis 84,0 dB(A) (neapibrėžtis K = 3 dB), vibracija 4,1 m/s² (triacio vektorius suma; neapibrėžtis K = 1,5 m/s²)
- Vibracijos sklaidos lygis išmatuotas pagal standarte EN 62841 išdėstytus standartizuoto bandymo reikalavimus; ši vertė gali būti naudojama vienam įrankiui palyginti su kitu bei išankstiniams vibracijos poveikiui įvertinti, kai įrankis naudojamas paminėtais būdais
 - naudojant įrankį kitokiais būdais arba su kitokiais bei netinkamai prižiūrimais prietaisais, gali žymiai padidėti poveikio lygis
 - laikotarpiams, kai įrankis išjungtas arba yra įjungtas,

tačiau juo nedirbama, gali žymiai sumažėti poveikio lygis

! **apsisaugokite nuo vibracijos poveikio** prižiūrėdami įrankį ir jo priedus, laikydami rankas šiltai ir derindami darbo ciklus su pertraukėlėmis

МК

Брусилица

7260

УПАТСТВО

- Овој алат е наменет за суво брусење и фина обработка на дрво, обоени површини, пластика, и гитувани површини
- Овој алат не е наменет за професионална употреба
- Внимателно прочитајте го и зачувајте го ова упатство за ракување ③

ТЕХНИЧКИ ПОДАТОЦИ ①

ЕЛЕМЕНТИ НА АЛАТОТ ②

- A Кутија за прашина
 - B Прекинувач за вклучување/исклучување
 - C Отвори за вентилација
 - D Адаптер за правосмукалката*
- * НЕ Е СТАНДАРДНО ВКЛУЧЕНО

БЕЗБЕДНОСТ

ОПШТИ ПРЕДУПРЕДУВАЊА ЗА БЕЗБЕДНОСТ НА ЕЛЕКТРИЧНИТЕ АЛАТИ

⚠ ПРЕДУПРЕДУВАЊЕ Прочитајте ги сите безбедносни предупредувања, упатства, слики и спецификации што се обезбедуваат со овој алат. Непочитувањето на сите упатства подолу може да доведе до електричен удар, пожар и/или сериозна повреда..

Чувајте ги сите предупредувања и упатства за понатамошно упатување.

Поимот “електричен алат”, кој се користи во понатамошниот текст, се однесува на вашиот електричен алат (со приклучен кабел) и на електрични алати со погон на батерии (без приклучен кабел).

1) БЕЗБЕДНОСТ НА РАБОТНОТО МЕСТО

- Одржувајте го вашето работно место чисто и уредно.** Неуреден или темен работен простор може да предизвикаат незгоди.
- Немојте да работите со уредот во средина во која има опасност од експлозија, во која има запалливи течности, гасови и прашина.** Електричните алати произведуваат искри кои можат да запалат прашина или пара.
- За време на употребата на електричниот алат, децата и останатите лица дрнете ги подалеку од местото нае работите.** Одрваќање, би можеле да изгубите контрола врз уредот.

2) ЕЛЕКТРИЧНА СИГУРНОСТ

- Утинач мора да одговара на приклучокот. Никако**

не смее да се прават измени на штекерот. Не користете адаптерски штекер заедно со уредот кој е заштитно заземјен. Не променети штекери и соодветни приклучоци го намалуваат ризикот од електричен удар.

- Избегнувајте допир на телото со заземјени површини, нано што се цевни, радијатори, рерни и фрижидери.** Постои зголемена опасност од струен удар, доколку Вашето тело е заземјено.
 - Чувајте го уредот подалеку од дожд и влага.** Продирањето на вода во електричниот уред ја зголемува опасноста од струен удар.
 - Не злоупотребувајте го приклучниот кабел за носење, бесење на уредот или за извлекување на штекерот од мрежниот приклучок. Чувајте го кабелот подалеку од топлина, масло, остри рабови или деловите на апаратот кои се движат.** Оштетени или заплеткани кабли ја зголемуваат опасноста од струен удар.
 - Кога го употребувате полначот надвор, користете продолжен кабел кој е соодветен за употреба на отворен простор.** Примената на продолжен кабел соодветен за работа на отворен простор ја намалува опасноста од струен удар.
 - Доколку не може да се избегне работа со електричниот алат во влажна средина, користете прекинувач за струјна заштита при технички проблеми.** Употребата на прекинувачот за струјна заштита при технички проблеми го намалува ризикот од електричен удар.
- #### 3) ЛИЧНА ЗАШТИТА
- Бидете внимателни, внимавајте што правите и постапувајте внимателно додека работите со електричниот алат. Не работете со уредот доколку сте уморни или под дејство на дрога, алкохол или лекови.** Еден момент на невнимание при употребата може да доведе до сезиони повреди.
 - Носете ја личната заштитна опрема и секогаш носете заштитни очила.** Носењето на личната заштитна опрема, како што е маската за прашина, безбедносната облека која не се лизга, заштитен шлем или штитник за слух, зависно од видот и примената на електричниот алат, ја намалува опасноста од повреда.
 - Избегнувајте невнимателно вклучување за време на работата. Осигурајте се прекинувачот да биде во “OFF” позиција пред да го ставите штекерот во приклучокот.** Доколку го носите електричниот алат со прстот на прекинувачот или го приклучувате апаратот кој е приклучен со напојување на струја, може да предизвикате незгоди.
 - Пред вклучување на уредот, тргнете ги алатите за подесување или клучот за навртување.** Алатот или клучот кој се наоѓа во вртливиот дел на уредот, може да предизвика незгода.
 - Не ги преценувајте своите способности. Завземете сигурен и стабилен став и во секој момент одржувајте рамнотежа.** На тој начин можете подобро да го контролирате уредот во неочекувани ситуации.
 - Носете соодветна облека. Не носете широка облека или накит. Носата и алиштата треба да бидат подалеку од подвижните делови. Широката**

облека, накітот или долгата коса може да се закачат за подвижните делови.

- g) **Доколку може да се монтираат направи за вшмукување и фаќање прашина, проверете дали се вклучени и дали можат исправно да се користат.** Примената на овие направи ја намалува опасноста од прашината.
- h) **Не дозволувајте искуството стенкато со честа употреба на алатите да ве направи спокојни и да ги игнорирате безбедносните принципи при неговото користење.** Невнимателно движење може да предизвика сериозни повреди во дел од секунда.
- 4) **ВНИМАТЕЛНА УПАТСТА И РАКУВАЊЕ СО ЕЛЕКТРИЧНИТЕ АЛАТИ**
- a) **Не го преоптеретувајте уредот.** При вашата работа користете го предвидениот електричен алат за таа употреба. Со соодветниот електричен алат ќе работите подобро и посигурно во наведената функционална област.
- b) **Не користете електричен алат чиј прекинувач е неисправен.** Електричниот алат кој повеќе не може да се вклучува и исклучува е опасен и мора да се поправи.
- c) **Исклучете го електричниот алат од струја и/или извадете го комплетот со батерии, ако се одделува, пред да правите неканки прилагодувања, менувајте дополнителна опрема или да го складирате електричниот алат.** Со овие мерки на внимателност ќе се избегне невнимателното вклучување на уредот.
- d) **Тргнете го електричниот алат кој не го користите од допирот на децата. Не допуштајте работа со уредот на лица кои не се запознаени со него или кои го немаат прочитано ова упатство.** Електричните алати се опасни доколку со нив работат неискусни лица.
- e) **Одржувајте го електричниот алат и дополнителната опрема. Имајте контрола околу тоа дали движечките делови на уредот работат беспрекорно и дали не се заглавени, дали деловите се скршени или оштетени до таа мерка што не може да се обезбеди функционирање на уредот. Пред примената, овие оштетени делови треба да се поправат.** Причина за многу незгоди е лошо одржуваниот електричен алат.
- f) **Алатите за сечење одржувајте ги остри и чисти.** Внимателно одржуваните алати за сечење со остри отчрпи помалку ќе се заглавуваат и со нив работата ќе биде полесна.
- g) **Електричниот алат, прибор, работни алати итн., треба да ги користите според овие упатства, и на начин кој е опишан за соодветниот тип на уред.** При тоа, земете ги предвид работните услови и работата која се извршува. Употребата на електричните алати за други цели кои не се предвидени, може да предизвика опасни ситуации.
- h) **Рачните и површините за држење одржувајте ги суви, чисти и неизмастени.** Рачките и површините за држење што се лизгаат не овозможуваат безбедно ракување и контрола на алатот во неочекувани ситуации.
- 5) **СЕРВИСИРАЊЕ**
- a) **Електричниот алат сервисирајте го нај**

квалификувано лице кое користи само идентични резервни делови. Со ова се обезбедува безбедно одржување на електричниот алат.

БЕЗБЕДНОСНИ УПАТСТВА ЗА БРУСИЛНА

ОПШТИ

- Овој алат не треба да го користат лица под 16 години
- Овој алат не е соодветен за брусење во влажна средина
- Никогаш не користете го алатот кога кабелот е оштетен; тој мора да се замени со специјално подготвен кабел достапен преку организацијата на услуги.
- **Не обработувајте никаков материјал кој содржи азбест** (азбестот важи за предизвикувач на рак)
- **Обезбедете се алатот да е исклучен од струја пред да вршите било какво подесување или замена на приборот**

ПРИБОР

- SKIL може да признае гаранција само доколку е користен оригинален прибор
- Не користете изабени, искинати или хартија со многу налепен слој од брусење

ПРЕД УПОТРЕБА

- Секогаш проверувајте напонот да е ист со оној кој е назначен на плочката на алатот
 - Избегнувајте оштетувања од штрафови, шајки и други предмети во местото каде работите; тргнете ги пред да почнете со работа
 - Продолжениот кабел кој го користите, мора да биде соосема одмотан и безбеден, со капацитет од 16 A
 - Нивото на бучава додека работите може да изнесува повеќе од 85 dB(A); носете заштита за ушите
 - Прашината од материјали како боја која содржи олово, некои видови дрво, минерали и метали, може да биде штетна за здравјето (контактот со прашина или нејзиното вдишување може да шредизвика алергии и/или болести на дишните органи за оној кој работи со алатот или луѓето во близина); **носите маска за прашина и работете со правосмукалки доколку можете да ги поврзете**
 - Некои видови прашина се канцерогени (како на пример прашина од даб или бука), особено заедно со адитиви за одржување на дрвото; **носите маска за прашина и работете со правосмукалки доколку можете да ги поврзете**
 - Следете ги процедурите на вашата земја за прашина која се јавува како резултат од материјалите со кои работите
 - Носете заштитни ракавици, заштитни очила, тесна облека и заштита за коса (доколку имате долга коса)
 - При брусење на метал доаѓа до појава на искри; не користете кутија за прашина/правосмукалка а останатите лица и запалливи материјали треба да се наоѓаат подалеку од местото каде се работи
 - **Зацврстете го материјалот кој го обработувате** (обработка која е зацврстена со стеги или во менгема е побезбедна отколку да ја држите со раце)
- ### ВО ТЕНОТ НА УПОТРЕБАТА
- Кабелот секогаш држете го подалеку од деловите на алатот кои се движат; кабелот држете го на задната страна, на страна од алатот
 - Не допирајте ја брусната хартија која се движи
 - Во случај да дојде до електричен или механички

дефект, веднаш исклучете го алатот и исклучете го од приклучокот

- Ако кабелот се оштети или пресече за време на работата, веднаш исклучете го и не го допирајте

ПО УПОТРЕБА

- Кога ќе ја завршите работата со алатот, исклучете го моторот и проверете дали сите подвижни делови се застанати

ОБЈАСНУВАЊЕ ЗА СИМБОЛИТЕ ЗА АЛАТОТ

- ③ Пред употреба прочитајте го прирачникот за употреба
- ④ Двојна изолација (не е потребна заземна жица)
- ⑤ Не фрлајте го алатот заедно со другиот отпад од домаќинството

УПОТРЕБА

- Поставување хартија за брусење ⑥
 - ! **извлечете го приклучокот ако кабелот вшмукувањето прашина изискува употреба на перфорирани хартии за брусење**
 - ! **перфорацијата на брусната хартија треба да е соодветна на перфорацијата на брусната плоча**
 - ! **навремено заменете ја истрошената брусна хартија**
 - ! **целосната површина за брусење треба да биде прекриена со брусна хартија кога ќе го користите алатот**
 - поставете хартија за брусење од ВЕЛКРО како што е прикажано
- Вшмукување прашина
 - ! **не користете ја нутијата за прашина/правосмукалната за собирање прашина кога брусите метал**
 - Кутија за прашина ⑦
 - редовно празнете ја кутијата за прашина А за оптимално собирање на прашина
 - отстранете ја кутијата за прашина А со што ќе ја повлечете А наназад
 - За употреба на правосмукалка
 - поставете адаптер за правосмукалка D, како што е прикажано ⑧a
 - поврзете го цреволото за чистење со правосмукалка D ⑧b
- Прекинувач за вклучување/исклучување
 - алатот вклучете/исклучете го со туркање на прекинувачот напред/назад
 - ! **алатот треба да го вклучите пред брусната површина да го допре местото каде ќе работите**
 - ! **уредот треба да се подигне од работната површина пред тој да биде исклучен**
- Држење и насочување на алатот ⑨
 - ! **додена работите, секогаш држете го алатот за местото (местата) кое (кои) се означени со сива боја**
 - држете го алатот паралелно со површината која ја обработувате
 - ! **не применувајте многу притисок врз алатот и оставете ја површината за чистење да ја заврши работата за вас**
 - не го навалувајте алатот за да избегнете појава на несакани траги од брусењето
 - отворите за ладење C ② држете ги отворени

СОВЕТИ ЗА ПРИМЕНА

- Користете го алатот за брусење големи површини, агли и рабови ⑩
- Алатот движете го со прави движења, во линија со материјалот
 - за брусење на површини од голо дрво
 - за финална обработка
- Никогаш не користете ја истата брусна хартија и за дрво и за метал
- Препорачана рапавост на брусната хартија:
 - користете груба шмиргла (40, 60) за отстранување боја и за брусење на исклучително грубо дрво
 - користете средно груба шмиргла (80, 100, 120) за брусење грубо или мазно дрво
 - користете фина шмиргла за мазнење на дрво и површини со стара боја, како и за завршна обработка на голо дрво (180, 240, 320)
- Користете разни големини на шмиргли кога површината е груба:
 - започнете да пескарите со груба или средна шмиргла
 - завршете со фината шмиргла
- За повеќе информации видете на www.skil.com

ОДРЖУВАЊЕ/СЕРВИСИРАЊЕ

- Овој алат не е наменет за професионална употреба
- Алатот и кабелот секогаш да се одржуваат чисти (особено отворите за ладење C ②)
 - со четкичка отстранете ја насобраната прашина од брусењето
 - ! **пред чистење извадете го алатот од приклучокот**
- Доколку алатот и покрај внимателното работење и контрола некогаш откаже, поправката мора да ја изврши некој овластен SKIL сервис за електрични алати
 - во случај на примедба, испратете го алатот **нерасклопен**, заедно со сметкопотврдата, до вашиот продавач или најблискиот SKIL сервис (адресите се наведени на www.skil.com)
- Имајте предвид дека оштетувањето настанато заради преоптоварување или неправилно ракување со алатот ја отфрла гаранцијата (видете на www.skil.com или прашајте го продавачот за условите на гаранцијата на SKIL)

ЗАШТИТА НА ЖИВОТНАТА СРЕДИНА

- **Не се ослободувајте од електрични алати, уреди или амбалажа преку нивно фрлање во домашното губре** (само за земјите на ЕУ)
 - според Европската Директива 2012/19/ЕС за ослободување од електрична и електронска опрема и нејзина имплементација во согласност со националните закони, електричните алати кои го достигнале крајот на својот животен век мора да бидат собрани посебно и да бидат вратени во соодветен објект за рециклирање
 - симболот ⑤ ќе ве потсетува на ова кога ќе дојде време алатот да го фрлите

БУЧАВА / ВИБРАЦИИ

- Измерено во согласност со EN 62841, нивото на звучен притисок на оваа алатка е 73,0 dB(A) и нивото на звучна моќност 84,0 dB(A) (несигурност K = 3 dB), и вибрацијата 4,1 m/s² (триакс векторна сума; несигурност K = 1.5 m/s²)
 - Нивото на емитурање на вибрации кое е наведено на задниот дел на ова упатство е измерено во согласност со стандардизираниот тест даден во EN 62841; може да се користи за да се спореди еден алат со друг, и како првична оценка за изложеноста на вибрации кога се користи алатот за споменатите примени
 - користењето на алатот за разни примени, или со различни или неправилно чувани делови, може да доведе до значајно **зголемување** на нивото на изложеност
 - кога алатот е исклучен или кога алатот е вклучен но не врши некаква работа, може да дојде до значително **намалување** на нивото а изложеност
- ! заштитете се од ефектите на вибрациите преку одржување на алатот и неговите делови, одржување на топлината во вашите раце, и организирање на вашата работа**

AL

Smeriluese me shumë funksione

7260

HYRJE

- Kjo vegël është e projektuar për smerilimin në të thatë dhe lustrimin e drurit, sipërfaqeve të lyera, plastikës dhe materialeve mbushëse
- Kjo vegël nuk është e projektuar për përdorim profesional
- Lexoni dhe ruani këtë manual të përdorimit ③

TË DHËNAT TEKNIKE ①

ELEMENTET E VEGËL ②

- A Kutia e pluhurave
- B Çelësi i ndezjes/fikjes
- C Të çarët e ajrosjes
- D Përshtatësi i fshesës me korrent*

* JO STANDARDE E PËRFSHIRË

SIGURIA

PARALAJMËRIME TË PËRGJITHSHME TË SIGURISË PËR PAJISJET ELEKTRIKE

PARALAJMËRIM: Lexoni të gjitha paralajmërimet, udhëzimet, ilustrimet dhe specifikimet e dhëna me këtë mjet pune. Mosrespektimi i të gjitha udhëzimeve të renditura më poshtë mund të rezultojnë në goditje elektrike, zjarr dhe/ose dëmtime të rënda.

Ruani të gjitha paralajmërimet dhe udhëzimet për referencë në të ardhmen.

Termi "pajisje elektrike" në paralajmërimi i referohet pajisjes elektrike që përdoret nga priza (me kablo) ose pajisjes elektrike me bateri (pa kablo).

1) SIGURIA E ZONËS SË PUNËS

- a) **Mbajeni zonën e punës të pastër dhe të ndriçuar mirë.** Zonat e çrregullta ose të errëta janë një ftesë për aksidente.
- b) **Mos i përdorni pajisjet elektrike në situata me mundësi shpërthimi, si në prani të lëngjeve, gazeve ose pluhurave të djegshëm.** Pajisjet elektrike shkaktojnë shkëndija që mund të ndezin pluhurat ose avujt.
- c) **Mbajini fëmijët dhe personat e tjerë larg gjatë përdorimit të veglës së punës.** Tërheqja e vëmendjes mund të shkaktojë humbjen e kontrollit.

2) SIGURIA ELEKTRIKE

- a) **Spinat e veglës së punës duhet të përputhen me prizën. Mos modifikoni kurrë spinën në asnjë mënyrë. Mos përdorni asnjë spinë përshtatëse me veglat e punës me tokëzim.** Spinat e pamodifikuara dhe prizat përshtatëse do të zvogëlojnë rrezikun e goditjes elektrike.
 - b) **Shmangni kontaktin trupor me sipërfaqe të tokëzuara si tuba, radiatorë, soba dhe frigoriferë.** Ka një rrezik më të madh të goditjeve elektrike nëse trupi është i tokëzuar.
 - c) **Mos ekspozoni veglat e punës në shi ose në kushte me lagështi.** Uji që hyn në veglën e punës do të rritë rrezikun e goditjes elektrike.
 - d) **Mos abuzoni me kordonin. Mos e përdorni kurrë kordonin për transportin, tërheqjen ose heqjen e spinës së veglës së punës. Mbajeni kordonin larg nga nxehtësia, vaji, anët e mprehta ose pjesët që lëvizin.** Kordonët e dëmtuar ose e bllokuar rrisin rrezikun e goditjes elektrike.
 - e) **Kur përdorni një vegël pune në mjedise të jashtme, përdorni një kordon zgjatues të përshtatshëm për përdorim në mjedise të jashtme.** Përdorimi i një kordoni të përshtatshëm për përdorime në mjedise të jashtme zvogëlon rrezikun e goditjes elektrike.
 - f) **Nëse përdorimi i veglës së punës në një vend me lagështi është i pashmangshëm, përdorni një automat qarku me shkarkesë me tokëzim.** Përdorimi i një automati me shkarkesë me tokëzim zvogëlon rrezikun e goditjes elektrike.
- ### 3) SIGURIA PERSONALE
- a) **Qëndroni në gatishmëri, shikoni se çfarë po bëni dhe përdorni gjykimin kur përdorni një vegël pune.** Mos e përdorni një vegël pune kur jeni i lodhur ose nën ndikimin e ilaçeve, alkoolit ose mjekimit. Një moment humbje e vëmendjes gjatë përdorimit të veglave të punës mund të shkaktojë dëmtime të rënda personale.
 - b) **Përdorni pajisje personale mbrojtëse. Mbani gjithmonë pajisje për mbrojtjen e syve.** Pajisjet mbrojtëse si maska kundër pluhurit, këpucët që nuk rrëshqasin, kaskat ose pajisjet për mbrojtjen e veshëve për kushtet përkatëse do të zvogëlojnë dëmtimet personale.
 - c) **Parandaloni ndezjen e rastësishme. Sigurohuni që çelësi është në pozicionin fikur para se të lidhni burimin e energjisë dhe/ose baterinë, para se të**

- merrni ose të transportoni pajisjen. Transportimi i veglave të punës me gishtin në çelës ose aktivizimi i veglave të punës që kanë çelësin të ndezur është një ftesë për aksidente.
- d) **Hiqni çdo çelës ose çelës përshtatës para ndezjes së veglës së punës.** Një çelës i lënë i lidhur me një pjesë rrotulluese të veglës së punës mund të shkaktojë dëmtime personale.
- e) **Mos u zgjasni. Mbani një vendosje të mirë të këmbëve dhe një ekuilibër të mirë në çdo moment.** Kjo gjë bën të mundur një kontroll më të mirë të veglës së punës në situata të papritura.
- f) **Vishuni në mënyrën e duhur. Mos vishni veshje të gjera ose bizhuteri. Mbani flokët, veshjet dhe dorashkat larg nga pjesët lëvizëse.** Veshjet e gjera, bizhuteritë ose flokët e gjatë mund të kapen nga pjesët në lëvizje.
- g) **Nëse janë ofruar pajisje për lidhjen e pajisjeve të mbledhjes dhe nxjerrjes së pluhurave, sigurohuni që ato të jenë të lidhura dhe të përdoren si duhet.** Përdorimi i mbledhjes së pluhurave mund të zvogëlojë rreziqet në lidhje me pluhurat.
- h) **Mos lejoni që familjarizimi i fituar nga përdorimi i shpeshtë i veglave t'ju lejojë të tregoheni të vetëkënaqur dhe të shpërfilni parimet e sigurisë për pajisjet.** Një veprim i pakujdesshëm mund të shkaktojë dëmtime të rënda në më pak se një sekondë.
- 4) **PËRDORIMI DHE KUJDESI PËR VEGLËN E PUNËS**
- a) **Mos ushtroni forcë mbi veglën e punës. Përdorni veglën e punës të duhur për përdorimin tuaj.** Vegla e punës e duhur do të realizojë një punë më të mirë dhe më të sigurt dhe me shpejtësinë që ajo është e projektuar.
- b) **Mos përdorni veglën e punës nëse çelësi nuk e ndez apo e fik.** Çdo vegël pune që nuk mund të kontrollohet me anë të çelësit është e rrezikshme dhe duhet të riparohet.
- c) **Shkëputni spinën nga burimi i energjisë dhe/ose baterinë nga vegla e punës para se të bëni rregullime të tjera, të ndryshoni aksesoret ose të ruani veglat e punës.** Këto masa parandaluese të sigurisë ulin rrezikun e ndezjes aksidentale të veglës së punës.
- d) **Mbani veglat e punës larg fëmijëve dhe mos lejoni personat e pamësuar me veglën e punës ose këto udhëzime për përdorimin e pajisjes.** Veglat e punës janë të rrezikshme në duart e përdoruesve të patrajnuar.
- e) **Mirëmbani veglat e punës. Kontrolloni për mospërshtatje ose bllokim të pjesëve lëvizëse, thyerje të pjesëve dhe gjendje të tjera që mund të ndikojnë në funksionimin e veglës së punës. Nëse dëmtohet, riparojeni veglën e punës para përdorimit.** Shumë aksidente shkaktohen nga veglat e punës jo të mirëmbajtura si duhet.
- f) **Mbajini pajisjet prerëse të pastra dhe të mprehta.** Pajisjet e prerjes të mirëmbajtura dhe me anë të mprehta kanë më pak mundësi për t'u bllokuar dhe janë më të lehta për t'u kontrolluar.
- g) **Përdorni veglat e punës, aksesoret dhe puntot, etj. në përputhje me këto udhëzime, duke marrë parasysh kushtet e punës dhe punën që do të kryhet.** Përdorimi i veglave për përdorime të ndryshme nga ato të përcaktuara mund të shkaktojë rreziqe.

- h) **Mbajini dorezat dhe sipërfaqet ku mbaheni të thata, të pastra dhe pa vajra ose graso.** Dorezat dhe sipërfaqet ku mbaheni, kur janë të rrëshqitshme, nuk ju lejojnë ta menaxhoni dhe ta kontrolloni në mënyrë të sigurt pajisjen në situata të papritura.

5) SHËRBIMI

- a) **Shërbimi i veglës së punës duhet të kryhet nga një person i kualifikuar për riparimet duke përdorur vetëm pjesë ndërrimi identike.** Kjo gjë do të sigurojë ruajtjen e sigurisë së veglave të punës.

UDHËZIMET PËR SIGURINË PËR SMERILUESET

TË PËRGJITHSHME

- Kjo pajisje nuk duhet të përdoret nga personat nën moshën 16 vjeç
- Kjo vegël nuk është e përshtatshme për smerilim në lagështi
- Asnjëherë mos e përdorni mjetin kur kordoni është dëmtuar; ai duhet të ndërrohet me një kordon të përgatitur në mënyrë të veçantë përmes organizatës së shërbimit.
- **Mos punoni me materiale që përmbajnë asbest** (asbesti konsiderohet kancerogjen)
- **Shkëputni gjithmonë spinën nga burimi i energjisë para kryerjes së rregullimeve ose ndryshimeve të aksesoreve**

AKSESORËT

- SKIL mund të garantojë funksionimin pa probleme të veglës vetëm kur përdoren aksesoret origjinalë
- Mos vazhdoni të përdorni fletat e smerilimit të konsumuara, të çara ose shumë të bllokuara

PARA PËRDORIMIT

- Kontrolloni gjithmonë që voltazhi i energjisë është i njëjtë me voltazhin e treguar në etiketën e veglës
- Shmangni dëmtimet që mund të shkaktohen nga vidat, gozhdët dhe elementet e tjera në materialin e punës; hiqni ato para se të filloni punën
- Përdorni kordonë të pahapur dhe të sigurt për zgjatime, me një kapacitet 16 amper
- Niveli i zhurmës gjatë punës mund të kalojë 85 dB(A); mbani mbrojtëse për veshët
- Pluhurat nga materialet si boja me plumb, disa lloje drurësh, mineralesh dhe metalesh mund të jenë të dëmshme (kontakti ose thithja e pluhurave mund të shkaktojë reagime alergjike dhe/ose sëmundje respiratore për përdoruesin ose personat përreth); **mbani një maskë për pluhurat dhe punoni me një pajisje për heqjen e pluhurave kur mund të lidhet**
- Disa lloje pluhurash kanë klasifikuar si kancerogjene (si pluhuri i lisit dhe i ahut) veçanërisht në ndërthurje me lëndët shtesë për kondicionimin e drurit; **mbani një maskë për pluhurat dhe punoni me një pajisje për heqjen e pluhurave kur mund të lidhet**
- Respektoni kërkesat kombëtare në lidhje me pluhurat për materialet me të cilat dëshironi të punoni
- Mbani doreza mbrojtëse, syze mbrojtëse, rroba të ngushta dhe mbrojtëse për flokët (për flokët e gjatë)
- Kur smeriloni metale, krijohen shkëndija; mos përdorni kuti pluhurash dhe mbajini personat e tjera dhe materialet e djegshme larg nga zona e punës
- **Siguroni materialin e punës** (një material i shtrënguar me një pajisje shtrëngimi ose morskë mbahet në mënyrë më të sigurt se sa me dorë)

GJATË PËRDORIMIT

- Mbajeni gjithmonë kordonin larg nga pjesët e lëvizshme të veglës; drejtojeni kordonin në anën e pasme, larg nga vegla
- Mos e prekni fletën e smerilimit në lëvizje
- Në rast të një defekti elektrik ose mekanik, fikni menjëherë pajisjen dhe hiqni spinën
- Nëse kordoni dëmtohet ose pritet gjatë punës, mos e prekni kordonin por hiqni menjëherë spinën

PAS PËRDORIMIT

- Kur ta largoni pajisjen, fikeni motorin dhe sigurohuni që të gjitha pjesët lëvizëse të kenë ndluar plotësisht

SHPJEGIMI I SIMBOLEVE NË VEGËL

- ③ Lexoni manualin e udhëzimeve para përdorimit
- ④ Izolim i dyfishtë (nuk kërkohet tokëzim)
- ⑤ Mos e hidhni veglën bashkë me materialet e mbetjeve familjare

PËRDORIMI

- Montoni i fletës së smerilimit ⑥
 - ! **hiqni spinën**
 - ! **thithja e pluhurave kërkon që të përdoren fletë smerilimi me vrimë**
 - ! **vrimat në fletën e smerilimit duhet të përputhen me vrimat në këmbën e smerilimit**
 - ! **ndërrojni fletët e konsumuara të smerilimit në kohën e duhur**
 - ! **përdorni gjithmonë pajisjen me të gjithë sipërfaqen e smerilimit të mbuluar me letër e smerilimit**
 - montoni fletën e smerilimit VELCRO si në ilustrim
- Thithja e pluhurave
 - ! **mos përdorni kutinë e pluhurave/fshesën me korrent kur smeriloni metale**
 - Kutia e pluhurave ⑦
 - boshatisni rregullisht kutinë e pluhurave A për një rendiment optimal në mbledhjen e pluhurave
 - hiqni kutinë e pluhurit A duke e tërhequr kutinë e pluhurit A mbrapa
 - Për përdorimin e fshesës me korrent
 - montoni përshtatësin e fshesës me korrent D ⑧a
 - lidhni tubin e fshesës me korrent me adaptorin e fshesës me korrent D ⑧b
- Çelësi i ndezjes/fikjes
 - ndizeni/fikeni mjetin duke shtypur çelësin brenda/jashtë
 - ! **para se sipërfaqja e smerilimit të arrijë te materiali i punës, duhet ta ndizni pajisjen**
 - ! **para se ta fikni veglën, ju duhet ta ngrini atë nga materiali i punës**
- Mbajtja dhe drejtimi i veglës ⑨
 - ! **gjatë punës, mbajeni gjithmonë veglën në zonën(at) e dorezës me ngjyrë gri**
 - lëizeni pajisjen paralel me sipërfaqen e punës
 - ! **mos ushtroni shumë trysni mbi pajisje; lëizni sipërfaqen e smerilimit që të punojë për ju**
 - mos e anoni veglën për të shmangur shenja të padëshiruara nga smerilimi
 - mbajini të çarët e ajrimit C ② të pambuluara

KËSHILLË PËR PËRDORIMIN

- Përdoreni mjetin për të fërkuar sipërfaqe të mëdha, cepa dhe anë ⑩

- Lëvizeni pajisjen me lëvizje të drejta në drejtimin e fibrës
 - për smerilimin e sipërfaqeve të drurit të zhveshur
 - për lustrim ekstra të imët
- Mos përdorni kurrë të njëjtën fletë smerilimi për dru dhe për metale
- Aftësitë gërryese të rekomanduara për fletën e smerilimit:
 - për heqjen e bojës dhe për smerilimin e drurit shumë të ashpër, përdorni nivele të ashpra të aftësisë gërryese (40, 60)
 - për smerilimin e drurit të ashpër ose të thjeshtë, përdorni nivele mesatare të aftësisë gërryese (80, 100, 120)
 - për zbutjen e drurit ose të sipërfaqeve me bojë të vjetër, si dhe për lustrë në dru të thjeshtë, përdorni nivele për aftësi gërryese të imët (180, 240, 320)
- Përdorni nivele të ndryshme të aftësisë gërryese kur sipërfaqja e punës është e ashpër:
 - filloni smerilimin me aftësi gërryese të ashpër ose mesatare
 - lustroni me aftësi gërryese të imët
- Për më shumë informacion, shikoni www.skil.com

MIRËMBAJTJA / SHËRBIMI

- Kjo vegël nuk është e projektuar për përdorim profesional
- Mbajeni gjithmonë veglën dhe kordonin të pastër (veçanërisht të çarët e ajrosjes C ②)
 - hiqni pluhurin e smerilimit që ngjitet me anë të një furçe
- ! **shkëputni spinën para pastrimit**
- Nëse pajisja ka defekt pavarësisht kujdesit në prodhim dhe procedurat e provave, riparimi duhet të kryhet nga një qendër e shërbimit pas shitjes për veglat e punës të SKIL
 - dërgoni veglën të çmontuar së bashku me vërtetimin e blerjes te shitësi ose te qendra më e afërt e shërbimit e SKIL (adresat si dhe diagrami i shërbimit i veglës janë të paraqitura në www.skil.com)
- Kini parasysh se dëmtimet për shkak të mbingarkesës ose manovrimit të papërshtatshëm të veglës janë të përjashtuara nga garancia (për kushtet e garancisë së SKIL vizitoni www.skil.com ose pyetni shitësin tuaj)

MJEDISI

- **Mos i hidhni veglat elektrike, aksesorët dhe paketimin së bashku me materialet e mbeturinave familjare** (vetëm për vendet e BE-së)
 - në respektim të Direktivës evropiane 2012/19/EC për pajisjet elektrike dhe elektronike si mbetje dhe zbatimin e saj në përputhje me ligjet kombëtare, pajisjet elektrike që kanë arritur në fund të jetëgjatësisë së tyre duhet të mblidhen të ndara dhe të kthehen në një objekt riciklimi në përputhje me mjedisin.
 - simboli ⑤ do t'ju kujtojë për këtë gjë kur të jetë nevoja për t'i hedhur

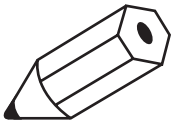
ZHURMA / VIBRIMI

- I matur sipas EN 62841, niveli i presionit të zhurmës së këtij mjeti është 73,0 dB(A) dhe niveli i fuqisë së zhurmës 84,0 dB(A) (pasiguria K = 3 dB), dhe dridhja 4,1 m/s² (shuma e vektorit triax; pasiguria K = 1.5 m/s²)
- Niveli i emetimit të vibrimit është matur në përputhje me një provë të standardizuar të dhënë në EN 62841; ajo mund të përdoret për të krahasuar një vegël me një tjetër

dhe si një vlerësim paraprak i ekspozimit ndaj vibrimit kur përdorni pajisjen për proceset e përmendura

- përdorimi i pajisjes për procese të ndryshme, ose me aksesorë të ndryshëm dhe të mirëmbajtur keq, mund të **rritë** ndjeshëm nivelin e ekspozimit
- kohët kur pajisja është e fikur dhe kur është e ndezur por jo në punë, mund të **zvogëlojnë** ndjeshëm nivelin e ekspozimit

! mbroni veten nga efektet e vibrimit duke mirëmbajtur pajisjen dhe aksesorët e saj, duke i mbajtur duart e ngrohta dhe duke organizuar mënyrën tuaj të punës



- همیشه ابزار و سیم برق را تمیز نگهدارید (بخصوص شیارهای تهویه C ①)
- گردهای چسبیده سنبله را با یک برس پاک کنید
- ! پیش از تمیز کردن سیم برق را از برق بکشید
- اگر ابزار علیرغم تمام دقت و مراقبتی که در فرایندهای تولید و تست بکار برده شده از کار افتاد، تعمیرات باید فقط در مراکز خدمات پس از فروش ابزارهای برقی SKIL انجام شود
- ابزار را بصورت بازنشده همراه با رسید خرید به فروشنده یا نزدیک ترین مرکز خدمات رسانی SKIL بفرستید (آدرسها به همراه نمودار نقشه های سرویس ابزار در www.skil.com موجود است)
- توجه داشته باشید که خرابی و خسارت ناشی از اضافه بار یا کار کردن نادرست با ابزار منضمول ضمانت نخواهند بود (برای آگاهی از شرایط ضمانت SKIL به نشانی www.skil.com مراجعه کرده یا از فروشنده خود سوال کنید)

محیط زیست

- ابزارهای برقی، لوازم و متعلقات و بسته بندی آنها را نباید همراه با زباله های عادی خانگی دور انداخت (فقط مخصوص کشورهای عضو اتحادیه اروپا)
- با توجه به مصوبه اروپایی ۲۰۱۲/۱۹/EC اروپا درباره لوازم برقی و الکترونیکی مستعمل و اجرای این مصوبه مطابق با قوانین کشوری، ابزارهای برقی که به پایان عمر مفید خود رسیده اند باید جداگانه جمع آوری شده و به یک مرکز بازیافت مناسب و سازگار با محیط زیست انتقال یابند
- نمادعلامت ④ یادآور این مسئله در هنگام دور انداختن است

صدا / ارتعاشات

- بر طبق اندازه گیری های انجام شده بر اساس استاندارد EN ۱۲۸۴۱، میزان فشار صوتی این ابزار ۷۳،۰ دسی بل و میزان توان صوتی آن ۸۴،۰ دسی بل (عدم قطعیت $K = ۲$ دسی بل)، و میزان ارتعاشات آن ۱،۱ متر/مجدور ثانیه (جمع بردارهای سه جهت؛ عدم قطعیت $K = ۱،۵$ متر/مجدور ثانیه) می باشد
- میزان انتشار ارتعاشات بر اساس تست استاندارد شده ای که در EN ۱۲۸۴۱ معرفی شده است اندازه گیری گردید؛ از این ارقام می توان برای مقایسه یک ابزار با دیگری و بعنوان ارزیابی اولیه در معرض قرارگیری ارتعاشات هنگام کار با ابزار در کاربری های فوق استفاده کرد
- استفاده کردن از ابزار برای کاربردهای متفاوت، یا با لوازم و متعلقات متفاوتتر فرقه یا لوازم و متعلقاتی که بد نگهداری شده اند، می تواند میزان در معرض قرارگیری را بطور قابل ملاحظه ای افزایش دهد
- موافقی که ابزار خاموش است یا روشن است ولی کاری با آن انجام نمی شود، میزان در معرض قرارگیری بطور قابل توجهی کاهش می یابد
- ! با نگهداری مناسب از ابزار و لوازم و متعلقات آن، گرم نگه داشتن دست های خود، و سازمان دهی طرح های کاری می توانید خود را در برابر اثرات ارتعاش محافظت کنید

خ) ابزارهای الکتریکی. متعلقات، ابزارهای که روی دستگاه نصب می شوند و غیره را مطابق دستورالعمل این جزوه راهنما طوری به کار بگیرید که با مدل این دستگاه تناسب داشته باشند. همچنین به شرایط کاری و نوع کار توجه کنید. کاربرد ابزار برقی برای موارد کاری که برای آن در نظر گرفته نشده است. می‌تواند شرایط خطرناکی را منجر شود.

د) دسته ها و سطوح دستگیره ها را خشک، تمیز و عاری از روغن و گریس نگه دارید با دسته ها و سطوح دستگیره های لیز نمی توان در شرایط غیرمنتظره بطور ایمن با ابزار کار کرد و کنترل آنها داشت

ه) سرویس

ا) برای تعمیر ابزار الکتریکی فقط به متخصصین حرفه ای رجوع کرده و از وسائل بدکی اصل استفاده کنید. این باعث خواهد شد که ایمنی دستگاه شما تضمین گردد.

هشدارهای ایمنی برای دستگاه های سنبناده زن

عمومی

- افراد کمتر از ۱۶ سال نباید با این دستگاه کار کنند
- این ابزار برای سنبناده زنی تر مناسب نیست
- وقتی که سیم آسیب دیده است مرکز نباید از ابزار استفاده کنید؛ باید با یک سیم از پیش آماده شده مخصوص که از طریق سازمان های خدماتی در دسترس است تعویض گردد
- با موادی حاوی آرزینست کار نکنید (آرزینست سرطان زا است)
- قبل از هرگونه تنظیم یا تعوض کردن لوازم و ملحمتعلقات حتماً باید سیم برق دستگاه را از پریز بکشید

متعلقات

از SKIL در صورتی که از متعلقات اصلی استفاده کنید عملکرد بدون مشکل ابزار را تضمین می نماید

- از کاغذ سنبناده های مستعمل، پاره یا آتیشزده از ذرات استفاده نکنید

پیش از استفاده

- همیشه مطمئن شوید که ولتاژ ورودی دستگاه برابر ولتاژ باشد که روی پلاک دستگاه نوشته شده است
- پیچ ها، میخ ها و سایر اجزا دیگر می توانند به قطعه کاری شما آسیب بزنند؛ بنابراین پیش از شروع کار آنها را بردارید
- سیم های رابط برق باید کاملاً باز شده و ایمن باشند. از سیم هایی با رده بندی ۱۶ آمپر
- میزان صدای تولید شده توسط این ابزار در حین کار می تواند از ۸۵ دسی بل بیشتر شود؛ از گوشه های محافظ استفاده کنید
- گرد و خاکی که از موادی مانند رنگ های حاوی سرب، برخی گونه های چوب، مواد معدنی و فلزات بلند می شود می تواند خطرناک باشد (ماس با این گرد و خاکها و یا تنفس آنها می تواند در کاربران ابزار یا افراد نزدیک به محل کار واکنش های حساسیتی وایا بیماری های تنفسی ایجاد کند)؛ یک ماسک مخصوص گرد و خاک بزنید و در صورت امکان از یک وسیله مکش گرد و خاک استفاده کنید
- برخی از گرد و خاکها (مانند گرد و خاکی که از چوب بلوط یا راش بلند می شود) علی الخصوص در مجاورت افزودنی های مخصوص چوب، سرطان زا هستند؛ یک ماسک مخصوص گرد و خاک بزنید و در صورت امکان از یک وسیله مکش گرد و خاک استفاده کنید
- از مقررات ملی مربوط به گرد و خاک موادی که می خواهید با آنها کار کنید پیروی نمایید
- از دستکش محافظ، عینک ایمنی، لباسهای غیر گشاد و محافظ مو (برای موهای بلند) استفاده کنید

- هنگام سنبناده زنی فلزات، جرقه تولید می شود؛ از جعبه جمع آوری گرد و غبار استفاده نکنید و افراد دیگر و مواد قابل اشتعال را از محل کار دور نگه دارید
- قطعه کاری را محکم کنید (اگر قطعه کاری را با گیره های جاری یا گیره های رومیزی ثابت کنید بسیار مطمئن تر از گرفتن آن با دست خواهد بود)

در حین استفاده

- همیشه سیم برق را از بخشهای متحرک ابزار دور بگیرید؛ سیم را به سمت پشت، و دور از ابزار بگیرید
- به کاغذ متحرک سنبناده دست نزنید
- در صورت بروز اشکالات برقی یا مکانیکی، فوراً ابزار را خاموش کرده و سیم برق آنرا از پریز بکشید
- اگر سیم برق آسیب دیده یا بریده شده باشد، هرگز به سیم دست نزنید، اما فوراً آنرا از پریز بکشید

بعد از استفاده

- وقتی که کار شما با ابزار تمام شد، حتماً موتور آنرا خاموش کرده و مطمئن شوید که تمام بخشهای متحرک آن از حرکت ایستاده اند

شرح علائم و نمادهای روی ابزار

- ۳) پیش از کار حتماً دفترچه راهنما را مطالعه کنید
- ۴) عایق دوگانه (نیازی به سیم اتصال به زمین - اِرت نیست)
- ۵) ابزار را همراه زرناله های خانگی دور نیندازید

استفاده

- سوار کردن کاغذ سنبناده ①
- ! سیم برق را از بقی جدا کنید
- ! به دلیل قابلیت مکش گرد و غبار این دستگاه باید حتماً از کاغذ سنبناده های سوراخدار استفاده کنید
- ! سوراخهای روی کاغذ سنبناده باید با سوراخهای زیره دستگاه سنبناده زن هماهنگی داشته باشد
- ! کاغذ سنبناده های مستعمل را به موقع عوض کنید
- ! همیشه موقع استفاده از ابزار باید کل سطح سنبناده زنی آن با کاغذ سنبناده پوشیده شده باشد
- کاغذ سنبناده چسبی را مطابق شکل قرار دهید
- مکش گرد و غبار
- ! هنگام سنبناده زنی فلزات نباید از جعبه جمع آوری گرد و غبار/جاروبرقی جعبه جمع آوری گرد و غبار ⑦
- به منظور حفظ کیفیت بهینه جمع آوری باید جعبه جمع آوری گرد و غبار A را بطور مرتب خالی کنید
- جعبه جمع آوری گرد و غبار A را با عقب کشیدن جعبه جمع آوری گرد و غبار A بردارید

برای استفاده از دستگاه مکش

- را مطابق شکل سوار کنید - D - مبدل جاروبرق ⑧ a
- شلنگ جاروبرقی را به مبدل جاروبرقی D وصل کنید ⑨ b
- کلید روشن/خاموش
- با فشار دادن کلید به داخل/بیرون می توان ابزار را روشن/خاموش کرد
- ! شما باید ابزار را پیش از رسیدن سطح سنبناده به قطعه کاری روشن کنید
- ! ابزار را باید قبل از خاموش کردن از روی قطعه کاری برداشت
- نگهداشتن و هدایت ابزار ④
- ! هنگام کار باید همیشه ابزار را از جایها/ دست خاکنتری رنگ بگیرید
- ! ابزار را موازی سطح کار حرکت دهید
- ! فشار بیش از حد به ابزار وارد نکنید؛ بگذارید سطح سنبناده به جای شما کار کند
- برای جلوگیری از ایجاد ردهای ناخواسته سنبناده هرگز ابزار را کج نکنید
- شیارهای تهویه ① C را مسدود نکنید

توصیه های کاربردی

- برای سطوح سنبناده زنی بزرگ، گوشه ها و لبه ها، ابزار را بکار ببرید ⑩
- ابزار را با حرکتهای مستقیم هم راستا با دانه بندی سطح کار حرکت دهید
- برای سنبناده زنی سطوح تخت
- برای پرداخت کاری نهایی دقیق
- هرگز از یک کاغذ سنبناده یکسان برای چوب و فلزات استفاده نکنید
- درجه بندی پیشنهادی کاغذ سنبناده:
- برای پاک کردن رنگ و سنبناده زنی چوب های بسیار ضخمت از درجه بندی های درشت (۴۰، ۴۰، ۴۰) استفاده کنید
- برای سنبناده زنی چوب ضخمت یا هموار از درجه بندی های متوسط استفاده کنید (۸۰، ۱۰۰، ۱۲۰)
- برای صاف کردن چوب و سطوح دارای رنگ کهنه و نیز پرداخت کاری چوب تخت از درجه بندی های ریز (۱۸۰، ۲۴۰، ۳۲۰) استفاده کنید
- اگر سطح خیلی زخم است از چند نوع درجه بندی استفاده کنید:
- ابتدا با درجه بندی زیر یا متوسط سنبناده بزنید
- کار را با درجه بندی نرم به پایان ببرید
- برای اطلاعات بیشتر به www.skil.com مراجعه کنید

نگهداری / سرویس - خدمات

- این ابزار برای مصارف حرفه ای مناسب نیست

صیانه ردمینه إلى زيادة مستوى التعرض بصورة كبيرة؛
- إن الفترة الزمنية التي يتم خلالها إيقاف تشغيل الآداة أو عندما تكون قيد التشغيل لكنها لا تؤدي أية مهام، تؤدي إلى تقليل مستوى التعرض بصورة كبيرة؛

! **قم بحماية نفسك من تأثيرات الاهتزاز من خلال صيانة الآداة وملحقاتها. والحفاظ على يدك دافنتين وتنظيم أحمال العمل لديك:**

FA

هراک دنچ هدايت بن س

مقدمه

- این ابزار صرفاً برای سنباده زنی خشک و پرداخت کاری چوب، سطوح رنگ شده، پلاستیک و یونونه طراحی شده است
- این ابزار برای مصارف حرفه ای مناسب نیست
- لطفاً این دفترچه راهنما را مطالعه کرده و نگهدارید ①

اطلاعات فنی ①

اجزای ابزار ②

- A جعبه جمع آوری گرد و غبار
 - B کلید روشن/خاموش
 - C شیرهای تهویه
 - D مبدل جاروبرقی*
- * بصورت استاندارد ارائه نشده است

ایمنی

راهنمایی های ایمنی عمومی برای ابزارهای الکتریکی

⚠ هشدار تمامی هشدارهای ایمنی، دستورالعمل ها، تصاویر و مشخصات فنی ارائه شده همراه با این ابزار الکتریکی را مطالعه کنید در صورت عدم رعایت هشدارهای زیر خطر برق گرفتگی، آتش سوزی و/یا بروز جراحات های شدید وجود خواهد داشت.

همه هشدارها و راهنمایی ها را برای استفاده آتی نگهداری کنید.

در این هشدارها عبارت "ابزار الکتریکی" به معنی ابزارهای الکتریکی فاقد باتری (با سیم برق) و یا ابزارهای الکتریکی باتری دار (شارژی) است

① ایمنی محل کار

أ) محل کار خود را تمیز، مرتب و مجهز به نور کافی نگهدارید. محیط کار نامرتب و کم نور می تواند باعث سوانح کاری شود.

ب) با ابزار الکتریکی در محیط هایی که در آن خطر انفجار وجود داشته و حاوی مایعات، گازها و غبارهای محترقه باشد، کار نکنید. ابزارهای الکتریکی جرقه هایی ایجاد می کنند که می توانند باعث آتش گرفتن گرد و بخار های موجود در هوا شوند.

ت) هنگام کار با ابزار الکتریکی، کودکان و سایر افراد را از دستگاه دور نگهدارید. در صورتیکه حواس شما پرت شود، ممکن است کنترل دستگاه از دست شما خارج شود.

② ایمنی الکتریکی

أ) دوشاخه ابزار الکتریکی باید با پریز برق تناسب داشته باشد. هیچگونه تغییری در دوشاخه ندهید. مبدل دوشاخه نباید همراه با ابزار الکتریکی دارای اتصال به زمین (ارت شده) استفاده شود. مبدل دوشاخه نباید همراه با ابزار الکتریکی دارای اتصال به زمین (ارت شده) استفاده شود.

ب) از تماس بدنی با قطعات دارای سیم اتصال به زمین (ارت شده) مانند لوله، شوفاژ، اجاق برقی و یخچال خود داری کنید. در صورتیکه بدن شما با سیم دارای اتصال به زمین (ارت شده) تماس پیدا کند، خطر برق گرفتگی بیشتر خواهد شد.

ت) دستگاه را از پاران و رطوبت دور نگهدارید. نفوذ آب به ابزار الکتریکی، خطر شوک الکتریکی را افزایش می دهد.

ث) از سیم به درستی استفاده کنید. از سیم دستگاه برای کارهایی چون حمل

۷۲۱۰

ابزار الکتریکی، آویزان کردن آن و یا خارج کردن دوشاخه از برق استفاده نکنید. دستگاه را در مقابل حرارت، روغن، لبه های تیز و بخش های متحرک دستگاه دور نگهدارید. کابل های آسیب دیده و یا گره خورده خطر شوک الکتریکی را افزایش می دهند.

ج) در صورتیکه با ابزار الکتریکی در محیط باز کار می کنید، تنها از کابل یا بطی استفاده کنید که برای محیط باز نیز مناسب باشد. کابل های رابط مناسب برای محیط باز، خطر برق گرفتگی را کم می کنند.

ح) در صورت لزوم کار با ابزار الکتریکی در محیط و اماکن مرطوب، در اینصورت باید از یک کلید حفاظتی جریان خطا و نشستی زمین (کلید قطع کننده اتصال با زمین) استفاده کنید. استفاده از کلید حفاظتی جریان خطا و نشستی زمین خطر برق گرفتگی را کمتر می کند.

③ رعایت ایمنی اشخاص

أ) حواس خود را خوب جمع کنید، به کار خود دقت کنید و با فکر و هوش کامل با ابزار الکتریکی کار کنید. در صورت سستی و یا در صورتیکه مواد مخدر، الکل و دارو استفاده کرده اید، با ابزار الکتریکی کار نکنید. یک خطه بی توجهی هنگام کار با ابزار الکتریکی، می تواند جراحات های شدیدی به همراه داشته باشد.

ب) همواره از تجهیزات ایمنی شخصی استفاده کنید. همواره از عینک ایمنی استفاده کنید. استفاده از تجهیزات ایمنی مانند ماسک ایمنی، کفش های ایمنی ضد لغزش، کلاه ایمنی و گوشی ایمنی متناسب با نوع کار با ابزار الکتریکی، خطر مجروح شدن را تقلیل می دهد.

ت) مواظب باشید که ابزار الکتریکی بطور ناخواسته بکار نیفتد. قبل از وارد کردن دوشاخه دستگاه در پریز برق، اتصال آن به باطری، برداشتن آن و یا حمل دستگاه، باید دقت کنید که ابزار الکتریکی خاموش باشد. در صورتیکه هنگام حمل دستگاه انگشت شما روی دکمه قطع و وصل باشد و یا دستگاه را در حالت روشن به برق بزنید، ممکن است سوانح کاری پیش آید.

ث) قبل از روشن کردن ابزار الکتریکی، باید همه ابزار های تنظیم کننده و آچار ها را از روی دستگاه بردارید. ابزار آچارهایی که روی بخش های چرخنده دستگاه فرار دارند، می توانند باعث ایجاد جراحات شوند.

ج) پیش از حد به آنها نزدیک نشوید. برای کار جای مطمئن برای خود انتخاب کرده و تعادل خود را همواره حفظ کنید. به این ترتیب می توانید ابزار الکتریکی را در وضعیت های غیر منظره بهتر تحت کنترل داشته باشید.

ح) لباس مناسب بپوشید. از پوشیدن لباس های فراخ و حمل زینت آلات خود داری کنید. موها، لباس و دستکش ها را از بخش های درحال چرخش دستگاه دور نگهدارید. لباس های فراخ، موی بلند و زینت آلات ممکن است در قسمت های درحال چرخش دستگاه گیر کنند.

خ) در صورتیکه می توانید وسایل مکنش گرد و غبار و یا وسیله جذب زائده را به دستگاه نصب کنید، باید مطمئن شوید که این وسایل نصب و درست استفاده می شوند. استفاده از وسایل مکنش گرد و غبار مصونیت شما را در برابر گرد و غبار زیاد تر می کند.

د) اجازه ندهید آشنایی و تسلط حاصل از استفاده مکرر از ابزارها باعث شود احساس نیاز به رعایت قواعد نکرده و به قوانین ایمنی ابزار بی توجهی کنید یک عمل از روی بی دقتی می تواند در کسری از ثانیه موجب جراحات شدید شود

④ استفاده صحیح از ابزار الکتریکی و مراقبت از آن

أ) از وارد کردن فشار زیاد روی دستگاه خود داری کنید. برای هر کاری، از ابزار الکتریکی مناسب با آن استفاده کنید. بکار گرفتن ابزار الکتریکی مناسب باعث می شود که بتوانید از توان دستگاه بهتر و با اطمینان بیشتر استفاده کنید.

ب) در صورت ایراد در کلید قطع و وصل ابزار برقی، از دستگاه استفاده نکنید. ابزار الکتریکی که نمی توان آنها را قطع و وصل کرد، خطرناک بوده و باید تعمیر شوند.

ت) قبل از تنظیم ابزار الکتریکی، تعویض متعلقات و یا کنار گذاشتن آن، دوشاخه را از برق کشیده و یا باطری آن را خارج کنید. رعایت این اقدامات پیشگیری ایمنی از راه افتادن ناخواسته ابزار الکتریکی جلوگیری می کند.

ث) ابزار الکتریکی را در صورت عدم استفاده، از دسترس کودکان دور نگهدارید. اجازه ندهید که افراد نا وارد و یا اشخاصی که این دفترچه راهنما را نخوانده اند، با این دستگاه کار کنند. قرار گرفتن ابزار الکتریکی در دست افراد ناوارد و بی تجربه خطرناک است.

ج) از ابزار الکتریکی خوب مراقبت کنید. مواظب باشید که قسمت های متحرک دستگاه خوب کار کرده و گیر نکنند. همچنین دقت کنید که قطعات ابزار الکتریکی شکسته و یا آسیب دیده نباشند. قطعات آسیب دیده را قبل از شروع به کار تعمیر کنید. علت بسیاری از سوانح کاری، عدم مراقبت کامل از ابزارهای الکتریکی می باشد.

ح) ابزار برش را تیز و تمیز نگهدارید. ابزار برش که خوب مراقبت شده و از لبه های تیز برخوردارند، کمتر در قطعه کار گیر کرده و بهتر قابل هدایت می باشند.

- احرص دائما على فصل القابس من مصدر الطاقة قبل القيام بأية عمليات ضبط أو تغيير أية ملحقات:

الملحقات

- تضمن SKIL التشغيل السليم للأداة فقط عند استخدام الملحقات الأصلية:
- لا تستعمل في استخدام الواح الصنفرة الثالفة أو المرقة أو المسدودة بشكل كبير قبل الاستخدام
- تأكد دائما من أن القوتل المزود هو نفسه المشار اليه على اللوحة الخاصة بالأداة
- تجنب التلف الذي قد تنتسب فيه البراعي والمسامير والعناصر الأخرى الموجودة في القطعة التي تعمل بها. قم بفكهم قبل بدء العمل:
- استخدم أسلاك تمديد مكوكة تمامًا وأمنة سعة 16 أمبير (13 أمبير في بريطانيا العظمى)
- قد يزيد مستوى الضوضاء أثناء العمل عن 85 ديسيبل (أ). لذا قم بارتداء واقيات للأذن
- الغبار الناتج من المواد كالتال الذي يحتوي على رصاص وبعض أنواع الأخشاب والمعادن والكيونات المعدنية قد يكون ضارًا (ملاسة) أو استنشاق الغبار قد تتسبب في إصابة المتشغل أو من يجاوره بأمراض الحساسية وأو أمراض الجهاز التنفسي:
- قم بارتداء قناع للغبار مع العمل باستخدام جهاز شفط للغبار. طالما أمكن توصيله
- ثمة أنواع معينة من الغبار تحنّف على أنها مواد مسببة للسرطان (مثل غبار خنثب البلوط والزان) خاصة عند استخدامها مع مواد مضافة لمعالجة الخشب: قم بارتداء قناع للغبار مع العمل باستخدام جهاز شفط للغبار. طالما أمكن توصيله
- التزم بالمتطلبات الوطنية الخاصة بالغبار عند العمل باستخدام المواد المطلوبة
- قم بارتداء قفازات واقية ونظارات واقية وملابس محكمة على الجسم وواقى الشعر (للشعر الطويل)
- عند صنفرة العالان. تولد شرارة لا تقم باستخدام صندوق الغبار واحرص على بقاء الأفراد والمواد الأخرى القابلة للاشتعال بعيدًا عن منطقة العمل
- ثبت قطعة العمل (المسلك) بقطعة عمل مثبتة بأجهزة تثبيت أو في ملزمة أكثر أمانًا من مسكها باليد:

أثناء الاستخدام

- حافظ دائما على بقاء السلك بعيدًا عن الأجزاء المتحركة بالأداة. ووجه السلك للخلف بعيدًا عن الأداة:
- لا تلمس لوح الصنفرة المتحرك
- في حالة حدوث خلل كهربائي أو ميكانيكي. أوقف تشغيل الأداة فورًا وافصل القابس:
- في حالة تعرض السلك للتلف أو قطع أثناء العمل. لا تلمس السلك وافصل القابس فورًا
- بعد الاستخدام
- عندما تضع الأداة جانبًا. أوقف تشغيل المحرك وتأكد من توقف جميع الأجزاء المتحركة بشكل تام

شرح الرموز الموجودة على الأداة

- ① قم بقراءة دليل الإرشادات قبل الاستخدام
- ② العزل المزوج (لا يلزم سلك أرضي)
- ③ لا تتخلص من الأداة مع النفايات المنزلية:

الاستخدام

- تركيب لوح الصنفرة ①
- أفضل القابس:
- يتطلب شفط الأتربة استخدام ألواح صنفرة مثقوبة
- يجب أن تتوافق ثقب ألواح الصنفرة مع الثقوب الموجودة في طرف الصنفرة
- قم باستبدال ألواح الصنفرة الثالفة في الحال
- قم دائما باستخدام الأداة أثناء تغطية سطح الصنفرة بالكامل بورق الصنفرة
- قم بتثبيت لوح صنفرة فلكرو كما هو موضح في الشكل
- شفط الغبار
- لا تستخدم صندوق الغبار/المكنسة الكهربائية عند صنفرة المعادن:
- صندوق الغبار ⑦
- قم بتفريغ صندوق الغبار A بانتظام للحصول على أفضل أداء للتقاط الغبار
- قم بإزالة صندوق الغبار A من خلال سحب صندوق الغبار A إلى الخلف لاستخدام المكنسة الكهربائية
- ركب مهابئ المكنسة الكهربي D كما هو موضح: ⑧ a

- قم بتوصيل خرطوم المكنسة الكهربائية بهابئ المكنسة الكهربائية D ⑧ b
- مفتاح التشغيل/إيقاف
- قم بتشغيل/إيقاف الأداة بالضغط على المفتاح للدخل/الخارج
- قبل الملاسة سطح الصنفرة لقطعة العمل. يجب عليك القيام بتشغيل الأداة
- قبل إيقاف تشغيل الأداة. يجب أن ترفعها عن قطعة العمل:
- إمساك الأداة وتوجيهها ④
- أثناء العمل. إمساك الأداة دائما من منطقة (مناطق) المقبض رمادية اللون
- قم بتوجيه الأداة بشكل موازي لسطح العمل
- لا تضغط بشدة على الأداة ودع سطح الصنفرة يقوم بالعمل
- لا تقم بإمالة الأداة حتى تتفاى حدوث علامات صنفرة غير مرغوبة
- احرص على أن تكون فتحات التهوية C ⑤ غير مغطاة:

توصيات الاستخدام

- قم باستخدام الأداة لصنفرة أسطح العمل الكبيرة، والأركان والحواف ①
- قم بتحريك الأداة في حركات مستقيمة بجاذبة التحبب
- لصنفرة الأسطح الخشبية غير المرخفة
- للحصول على تشطيبات أكثر جودة
- لا تقم مطلقًا باستخدام نفس لوح الصنفرة للأخشاب والعالن
- صخور لوح الصنفرة الموصى بها:
- إزالة الطلاء و الصنفرة الخشب شديد الخشونة. استخدم الحصاة الخشنة
- أحجام (٤٠ - ٦٠)
- لصنفرة الخشب الخشن أو العادي. استخدم الحصاة المتوسطة أحجام (٨٠ - ١٠٠).
- ١٢٠
- لتسليط الخشب والأسطح ذات الطلاء القديم بالإضافة إلى تشطيب الخشب المكشوف. استخدم الحصاة الناعمة أحجام (١٨٠ - ٢٤٠).
- استخدم أحجام صخور رميلية مختلفة عندما يكون سطح العمل خشن:
- ابدأ الصنفرة باستخدام الصخور الرملية الخشنة أو المتوسطة
- قم بالتشطيب باستخدام صخور رميلية ناعمة
- مزيد من المعلومات زر موقعنا www.skil.com

الصيانة / الخدمة

- لم يتم تصميم هذه الأداة للاستخدام الاحترافي:
- احرص دائما على نظافة الأداة والسلك (وخصوصًا فتحات التهوية C ⑤):
- قم بإزالة الغبار الملصق الناتج عن الصنفرة باستخدام فرشاة
- أفضل القابس قبل التنظيف
- إذا تعذر تشغيل الأداة على الرغم من الحذر الشديد في إجراءات التصنيع والاختبار. فيجب القيام بالإصلاحات بواسطة مركز خدمة ما بعد البيع لأدوات الطاقة التابع لشركة SKIL:
- قم بإرسال الأداة مون تفكيكها بالإضافة إلى إثبات الشراء إلى البائع أو أقرب محطة خدمة SKIL (العاونين بالإضافة إلى مخطط الخدمة متاحان على www.skil.com)
- كن على علم بأن التلف الناتج عن زيادة التحميل أو التعامل مع الأداة بطريقة خاطئة سيتم استثناءه من الضمان (لعرفة شروط ضمان SKIL انظر www.skil.com)
- قم بسؤال بائع المعدات

البيئة المحيطة

- لا تتخلص من الأدوات الكهربائية والملحقات ومواد النفايات المنزلية (لدول الاخاد الأوروبي فقط):
- وفقًا للتوجيه الأوروبي 2012/19/EC حول نفايات المعدات الكهربائية والإلكترونية وتطبيقه بالتوافق مع القانون المحلي. يجب جميع الأدوات الكهربائية منتبهة الصالحة بشكل منفصل وإرسالها إلى أحد منشآت إعادة التصنيع المتوافقة مع البيئة
- سيذكرك الرمز ⑤ بهذا عند الحاجة إلى التخلص من أية أداة:

الضوضاء / الاهتزاز

- عند القياس بالتوافق مع EN 12٨٤١ يكون مستوى ضغط صوت هذه الأداة هو ٧٣,٠ ديسيبل (أ) ومستوى صوت الطائفة ٨٤,٠ ديسيبل (أ) (الاحتمالية K = ٣ ديسيبل). والاهتزاز ٤,١ م/م^٢ (مجموعة الكميات الموجهة، الاحتمالية K = ١,٥ م/م^٢)
- تم قياس مستوى الاهتزازات بالتوافق مع الاختبار المعياري المحدد في EN 12٨٤١: يمكن استخدامه لمقارنة أداة بإداة أخرى وتقييم تهيمدي للتعرض للاهتزاز عند استخدام الأداة في التطبيقات الموضحة:
- قد يؤدي استخدام الأداة في تطبيقات مختلفة أو مع ملحقات مختلفة أو ذات

مقدمة

- تم تصميم هذه الأداة للصفر الجافة وتنشيط الأخشاب والأسطح المطلية والبلستيك والجنشوات
- لم يتم تصميم هذه الأداة للاستخدام الاحترافي.
- اقرأ دليل التعليمات هذا واحتفظ به ①

البيانات الفنية ①

مكونات الأداة ②

- A صندوق الغبار
- B مفتاح التشغيل/إيقاف
- C فتحات التهوية
- D مهاتن المكسنة الكهربائية*
- * لا يتوفر قياساً مع الأداة

أمان

خديرات السلامة العامة للأداة الكهربائية

⚠ خذير أقرأ كل خديرات السلامة والتعليمات والأشكال الإيضاحية والمواصفات المرفقة مع هذه الأداة الكهربائية فقد يؤدي الإخفاق في الالتزام بكل التعليمات المبينة فيما يلي إلى التعرض لصدمة كهربائية وأو حريق وأو إصابة خطيرة:

احتفظ بكل التحذيرات للرجوع إليها في المستقبل

التحذيرات إلى الأداة الكهربائية الخاصة بك التي « الأداة الكهربائية » بشير المصطلح تعمل بطاقة المأخذ الرئيسي باستخدام سلك (أو بطاقة البطارية بدون سلك):

- 1) الأمان يمكن الشغل
 - أ) حافظ على نظافة وحسن إضاءة مكان شغلك. الفوضى في مكان الشغل ومجالات العمل الغير مضاعة قد تؤدي إلى حدوث الحوادث.
 - ب) لا تشتغل بالعدة الكهربائية في محيط مصدر خطر الانفجار الذي تتوفر فيه السوائل أو الغازات أو الأبخرة القابلة للاشتعال. العدد الكهربائية تشكل الشرر الذي قد يتطاير فيشتعل الأبخرة والأجرة.
 - ت) حافظ على بقاء الأطفال وغيرهم من الأشخاص على بعد عندما تستعمل الأداة الكهربائية. قد تفقد السيطرة على الجهاز عند التلهي.
- 2) الأمان الكهربائي
 - أ) يجب أن يتلاءم قبايس وصل الأداة الكهربائية مع المقبس. لا يجوز تغيير القبايس بأي حال من الأحوال. لا تستعمل القوايس المهاتية مع العدد الكهربائية المؤرضة تأريض قوائي. تخفض القوايس التي لم يتم تغييرها والقبايس الملائمة من خطر الصدمات الكهربائية.
 - ب) تجنب ملامسة السطوح المؤرضة كالأثواب وراياتورات التدفئة والمدافئ أو البرادات بواسطة جسمك. يزداد خطر الصدمات الكهربائية عندما يكون جسمك مؤرض.
 - ت) أبعد الأداة الكهربائية عن الأمطار أو الرطوبة. يزداد خطر الصدمات الكهربائية إن تسرب الماء إلى داخل الأداة الكهربائية.
 - ث) يجب عدم إساءة استخدام الكابيل. لا تسئ استعمال الكابيل حمل الأداة الكهربائية أو لتعليقها أو لسحب القبايس من المقبس. حافظ على إبعاد الكابيل عن الحرارة والزيت والحواف الحادة أو عن أجزاء الجهاز المتحركة. تزيد الكابلات التالفة أو المتشابكة من خطر الصدمات الكهربائية.
 - ج) استخدم فقط كابلات التتميد الصالحة للإستعمال الخارجي أيضا عندما تشتغل بالعدة الكهربائية في الغلاء. يخفض استعمال كابيل تمديد مخصص للإستعمال الخارجي من خطر الصدمات الكهربائية.
 - ح) إن لم يكن بالإمكان عدم تشغيل الأداة الكهربائية في الأجواء الرطبة. فاستخدم مفتاح لتلويق في التيار المتردد. إن استخدام مفتاح لتلويق في التيار المتردد يقلل خطر الصدمات الكهربائية.
 - 3) أمان الأشخاص

أ) كن يقظا وأنتبه إلى ما تفعله وقم بالعمل بواسطة الأداة الكهربائية بتعلل.. لا تستخدم عدة كهربائية عندما تكون متعب أو عندما تكون تحت تأثير المخدرات أو الكحول أو الأدوية. عدم الإنتباه للحظة واحدة عند استخدام الأداة الكهربائية قد يؤدي إلى إصابة خطيرة.

ب) ارتد عناء الوقاية الخاص. وارتد دائما نظارات واقية. يجب إرتداء عناء الوقاية الخاص. كقناع الوقاية من الغبار وأحذية الأمان الواقية من الإنزلاق والحدو واقية الأذن.

ج) حسب نوع وإستعمال الأداة الكهربائية. من خطر الإصابة بجروح.

ت) تجنب تشغيل بتشكيل غير مقصود. تأكد من كون الأداة الكهربائية مطفاة قبل وصلها بالتيار الكهربائي /أو بالتركم. وقبل رفعها أو حملها. إن كنت تضع إصبعك على المفتاح أثناء حمل الأداة الكهربائية أو إن وصلت الجهاز بالشبكة الكهربائية عندما يكون قيد التشغيل. فقد يؤدي ذلك إلى حدوث الحوادث.

ث) انزع عدد الضغط أو مفتاح الربط قبل تشغيل الأداة الكهربائية. قد تؤدي الأداة أو المفتاح المتواجد في جزء دوار من الجهاز إلى الإصابة بجروح.

ج) تجنب أوضاع الجسم غير الطبيعية. قف بأمان وحافظ على توازنك دائما. سيسمح لك ذلك من السيطرة على الجهاز بشكل أفضل في المواقف غير المتوقعة.

ح) ارتد ملابس مناسبة. لا ترتدي الثياب الضففاضة أو الخلي. حافظ على إبقاء الشعر والثياب والقفايات على بعد عن أجزاء الجهاز المتحركة. قد تتشابك الثياب الضففاضة والخلي والشعر الطويل بالأجزاء المتحركة.

خ) إن جاز تركيب جهاز شفط وجميع الغبار. فتأكد من أنها موصولة وبأنه يتم استخدامها بشكل سليم. قد يقلل استخدام جبهيرات لشفط الأبخرة من المخاطر الناتجة عن الأبخرة.

د) لا تدع اعتبارك على الاستخدام المتكرر للأدوات يسمح لك بتجاهل مبادئ سلامة الأداة. قد يتسبب الاستخدام بدون تكرار في حدوث إصابة بالغة في غضون ثواني.

هـ) حسن معاملة واستخدام العدد الكهربائية

أ) لا تطرق في حجيل الجهاز. إستخدم لتنفيذ أشغالك الأداة الكهربائية المخصصة لذلك. إنك تعمل بشكل أفضل وأكثر أمانا بواسطة الأداة الكهربائية الملائمة في مجال الأداء المذكور.

ب) لا تستخدم الأداة الكهربائية إن كان مفتاح تشغيلها تالف. الأداة الكهربائية التي لم تعد تسمح بتشغيلها أو بإطفاها خطيرة ويجب أن يتم تصليحها.

ت) اسحب القابس من المقبس و / أو انزع المرمك قبل ضبط الجهاز وقبل إستبدال التوايح أو قبل وضع الجهاز جانباً. تمنع إجراءات الاحتياط هذه تشغيل الأداة الكهربائية بتشكيل غير مقصود.

ث) احتفظ بالعدد الكهربائية التي لا يتم إستخدامها بعيدا عن متال الأطفال. لا تسمح باستخدام الأداة الكهربائية لمن لاخبرة له بها أو لمن لم يقرأ تلك التعليمات.

ج) اعن بالعدة الكهربائية بتشكيل جيد. تفحص عما إذا كانت أجزاء الجهاز المتحركة تعمل بشكل سليم وبأنها غير مستعصية عن الحركة أو إن كانت هناك أجزاء مكسورة أو تالفة لدرجة تؤثر فيها على حسن أداء الأداة الكهربائية. ينبغي تصليح هذه الأجزاء التالفة قبل إعادة تشغيل الجهاز. الكثير من الحوادث يصدها العدد الكهربائية التي تم صيانتها بتشكيل ردي.

ح) حافظ على إبقاء عدد القطع نظيفة وحادة. إن عدد القطع ذات حواف القطع الحادة التي تم صيانتها بعناية تتكليس بشكل أقل ويمكن توجيهها بشكل أيسر.

خ) استخدم العدد الكهربائية والتوايح وعدد الشغل والخ. حسب هذه التعليمات. تراعى أثناء لك شروط الشغل والعمل المراد تنفيذها. استخدم العدد الكهربائية لغير الأشغال المخصصة لأجلها قد يؤدي إلى حدوث الحالات الخطيرة.

د) احرص على جفاف المقابض وأسطح الإمساك ونظافتها وعلوها من الزيت والشحوم. لا تسمح للمقابض وأسطح الإمساك الرلقة بالاستخدام والتحكم الأمان في الأداة في الحالات غير المتوقعة.

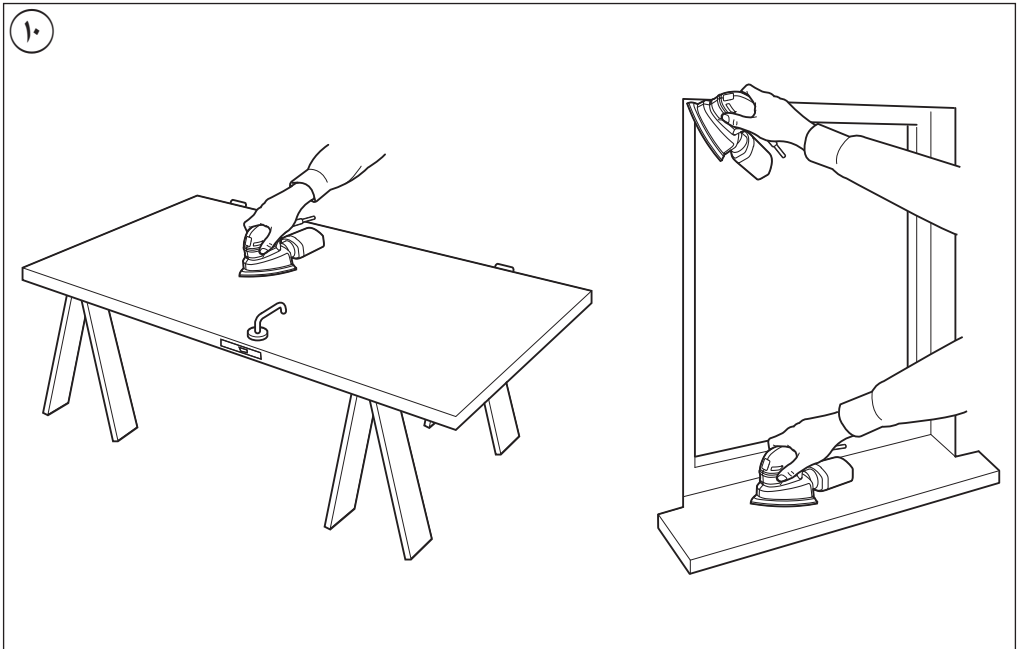
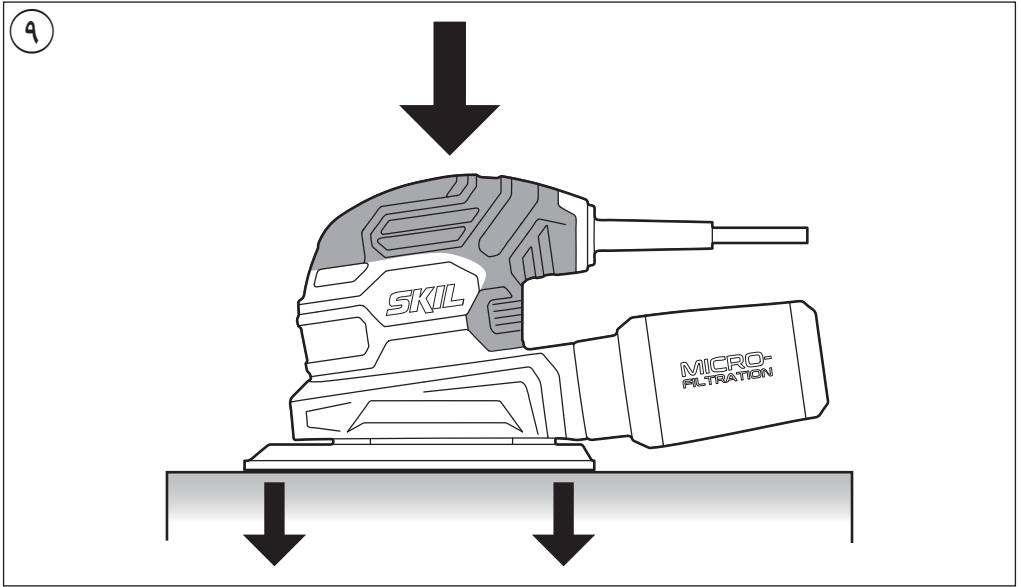
هـ) الخدمة

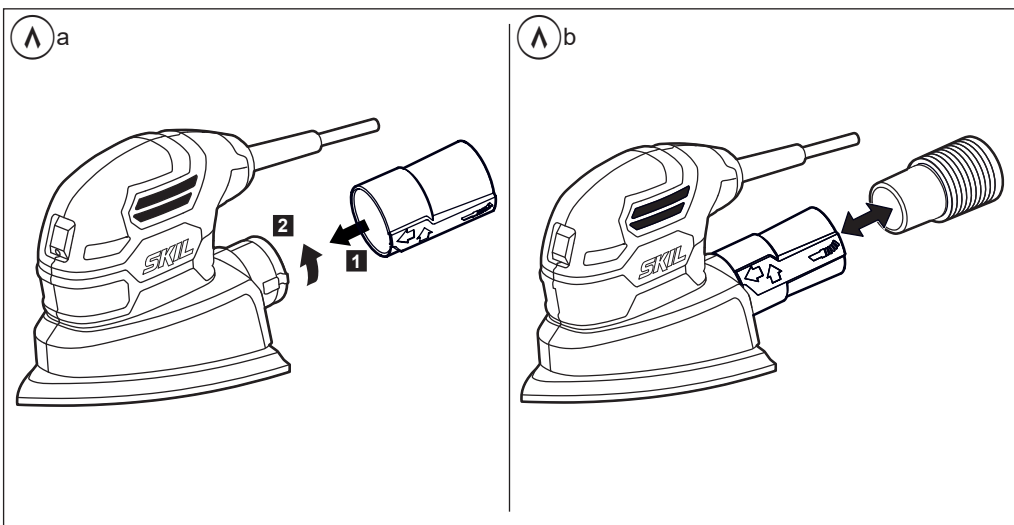
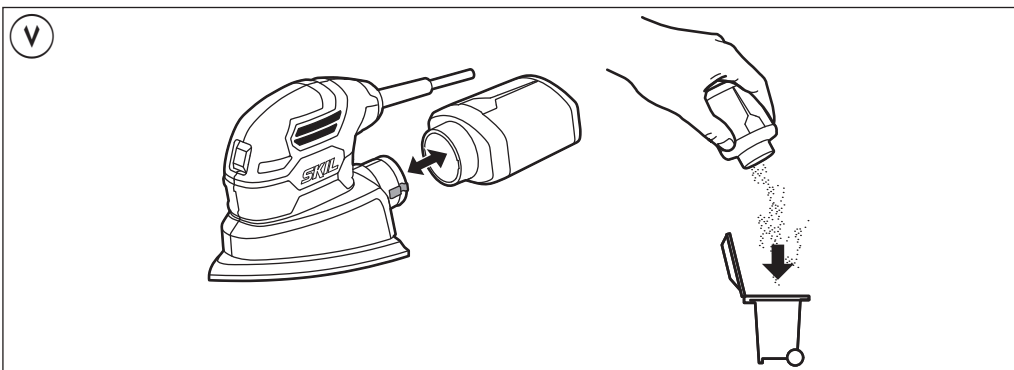
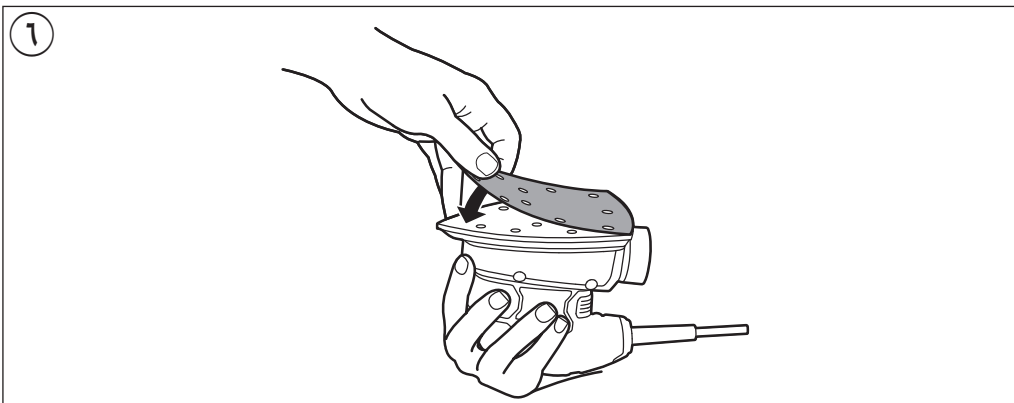
أ) اسمح بتصليح عدتك الكهربائية فقط من قبل المتخصصين فقط بإستعمال قطع الغيار الأصلية. يؤمن ذلك المحافظة على أمان الجهاز.

تعليمات السلامة الخاصة بأدوات الصنفرة الرملية

معلومات عامة

- لا يجب استخدام هذه الأداة من قبل الأشخاص الأقل من 1٦ عام.
- هذه الأداة غير مناسبة للصنفرة الرطبة
- تجنب تماماً استخدام الأداة عند تلف السلك. فيجب استبداله بسلك معد خصيصاً متحال من خلال منظمة الخدمة.
- لا تعمل باستخدام مواد تشتمل على الأسبستوس (يعتبر الأسبستوس مادة مسرطنة).



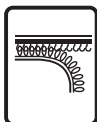


1

7260

100
Watt

0,81 kg



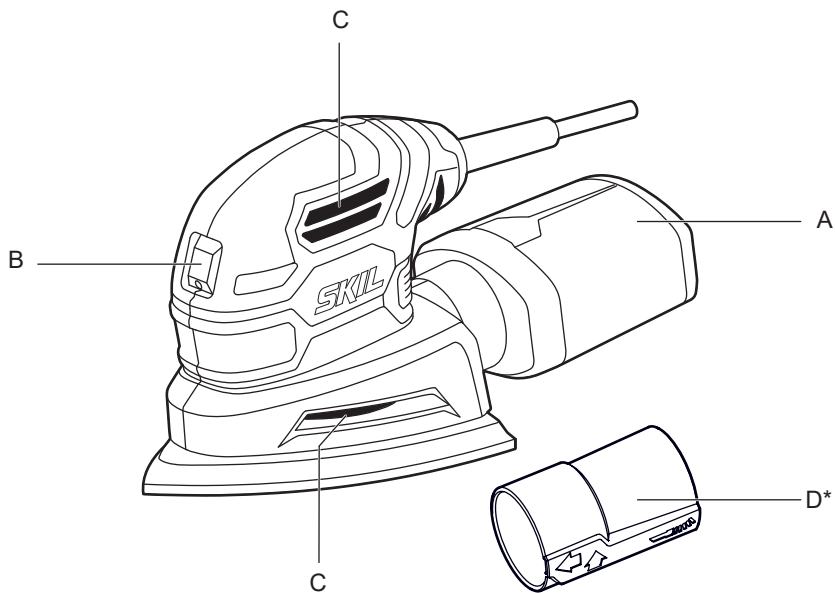
102x151
mm

24000
p/min



220
-
240
V~
50-60 Hz

2

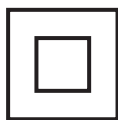


* قاذوا عم آيسايق رفوتوي ال

3



4



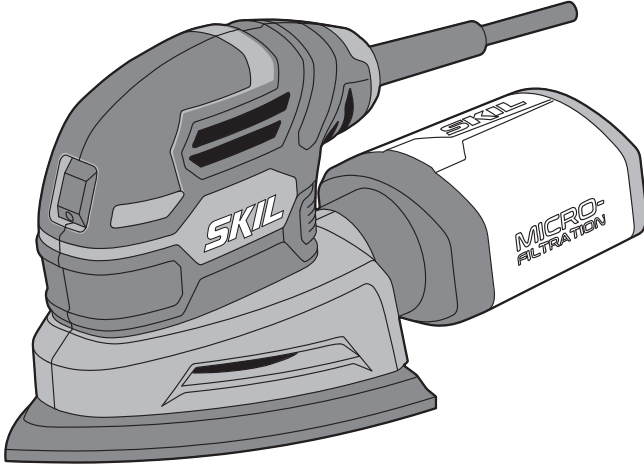
5



أداة الصنفرة المتعددة الاستخدامات

7260

SKIL®



دليل الاستعمال

AR

راهنمای اصلي

FA

